



US00D811589S

(12) **United States Design Patent** (10) **Patent No.:** **US D811,589 S**  
**Finke et al.** (45) **Date of Patent:** **\*\* Feb. 27, 2018**

(54) **SYRINGE**

OTHER PUBLICATIONS

(71) Applicant: **Covidien LP**, Mansfield, MA (US)

Office Action dated Oct. 25, 2016 in related Canadian Application No. 2923171, 3 pages.

(72) Inventors: **Melvin A. Finke**, Deland, FL (US);  
**David L. Strader**, Debary, FL (US);  
**David R. Swisher**, St. Charles, MO (US);  
**Kathleen Tremblay**, Westfield, MA (US)

(Continued)

*Primary Examiner* — David G Muller

*Assistant Examiner* — Nathan M Johnston

(74) *Attorney, Agent, or Firm* — Jacob R. Lenzke

(73) Assignee: **KPR U.S., LLC**, Mansfield, MA (US)

(\*\*) Term: **15 Years**

(57) **CLAIM**

(21) Appl. No.: **29/557,475**

The ornamental design for a syringe, as shown and described.

(22) Filed: **Mar. 9, 2016**

**Related U.S. Application Data**

(63) Continuation of application No. 14/481,303, filed on Sep. 9, 2014.

**DESCRIPTION**

(51) **LOC (11) Cl.** ..... **24-02**

(52) **U.S. Cl.**  
USPC ..... **D24/114**

(58) **Field of Classification Search**  
USPC ..... D24/112–114, 133, 186, 104, 127, 130;  
606/181, 185; 604/264, 272, 115, 232,  
604/187, 158, 164.08, 192, 263, 163, 181,  
604/184, 198, 227  
CPC ..... A61M 5/31596; A61M 2005/1787; A61M  
2005/31508; A61M 5/31511; A61M  
2005/3121; A61M 2005/31598; A61M  
2005/3123  
See application file for complete search history.

FIG. 1 is a front perspective view showing the first embodiment for a syringe showing our new design.  
FIG. 2 is a rear perspective view thereof.  
FIG. 3 is a front elevation view thereof.  
FIG. 4 is a rear elevation view thereof.  
FIG. 5 is a left side elevation view thereof.  
FIG. 6 is a right side elevation view thereof.  
FIG. 7 is an enlarged bottom plan view thereof.  
FIG. 8 is an enlarged top plan view thereof.  
FIG. 9 is a front perspective view of a second embodiment for a syringe showing our new design.  
FIG. 10 is a rear perspective view thereof.  
FIG. 11 is a front elevation view thereof.  
FIG. 12 is a rear elevation view thereof.  
FIG. 13 is a left side elevation view thereof.  
FIG. 14 is a right side elevation view thereof.  
FIG. 15 is an enlarged bottom plan view thereof; and,  
FIG. 16 is an enlarged top plan view thereof.  
The broken lines in the drawings are included for the purpose of illustrating one or more portions of the syringe that forms no part of the claimed design.

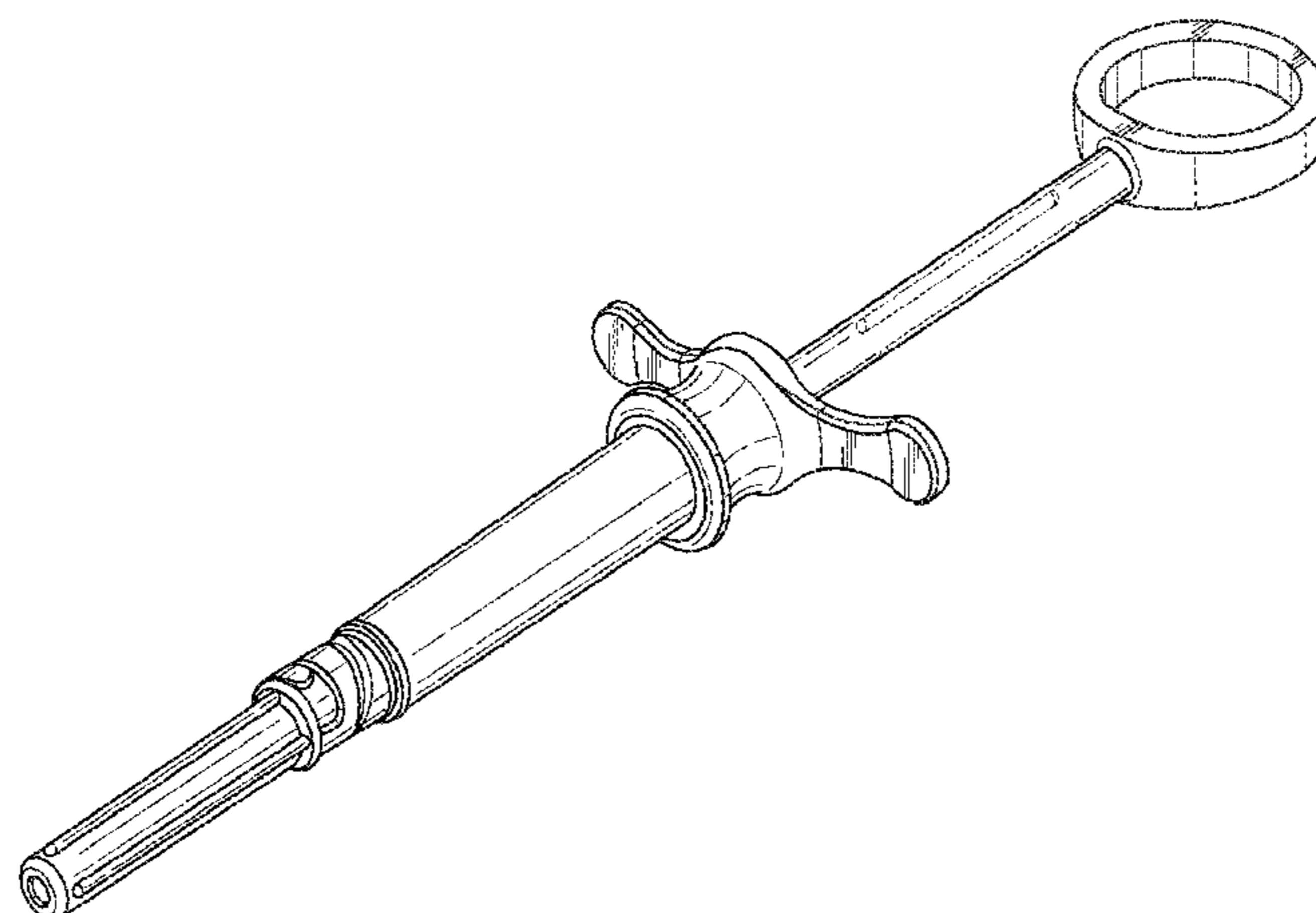
(56) **References Cited**

**U.S. PATENT DOCUMENTS**

4,808,169 A 2/1989 Haber et al.  
5,478,321 A \* 12/1995 Kimber ..... A61M 5/3134  
604/187  
5,695,477 A \* 12/1997 Sfikas ..... A61M 5/24  
128/919  
D608,886 S \* 1/2010 Rueckert ..... D24/130

(Continued)

**1 Claim, 10 Drawing Sheets**



(56)

**References Cited**

U.S. PATENT DOCUMENTS

8,034,034 B2 \* 10/2011 Hess ..... A61B 17/8833  
604/187  
8,152,763 B2 \* 4/2012 Epperson ..... A61M 5/24  
604/110  
8,852,158 B1 \* 10/2014 Schaffer ..... A61M 5/008  
206/364  
2001/0053886 A1 \* 12/2001 Caizza ..... A61M 5/3234  
604/110  
2007/0060897 A1 \* 3/2007 Wang ..... A61M 5/24  
604/232  
2007/0078408 A1 \* 4/2007 Wang ..... A61M 5/24  
604/198  
2007/0265579 A1 11/2007 Kleyman et al.  
2008/0051729 A1 \* 2/2008 Cheng ..... A61M 5/24  
604/232  
2009/0137966 A1 \* 5/2009 Rueckert ..... A61M 5/3137  
604/227  
2013/0018311 A1 1/2013 Denning et al.  
2015/0073353 A1 \* 3/2015 Strader ..... A61M 5/24  
604/189  
2016/0158101 A1 \* 6/2016 Latiolais ..... A61M 5/28  
604/506

OTHER PUBLICATIONS

Office Action dated Oct. 3, 2017 in related U.S. Appl. No. 14/481,303, 14 pages.

\* cited by examiner

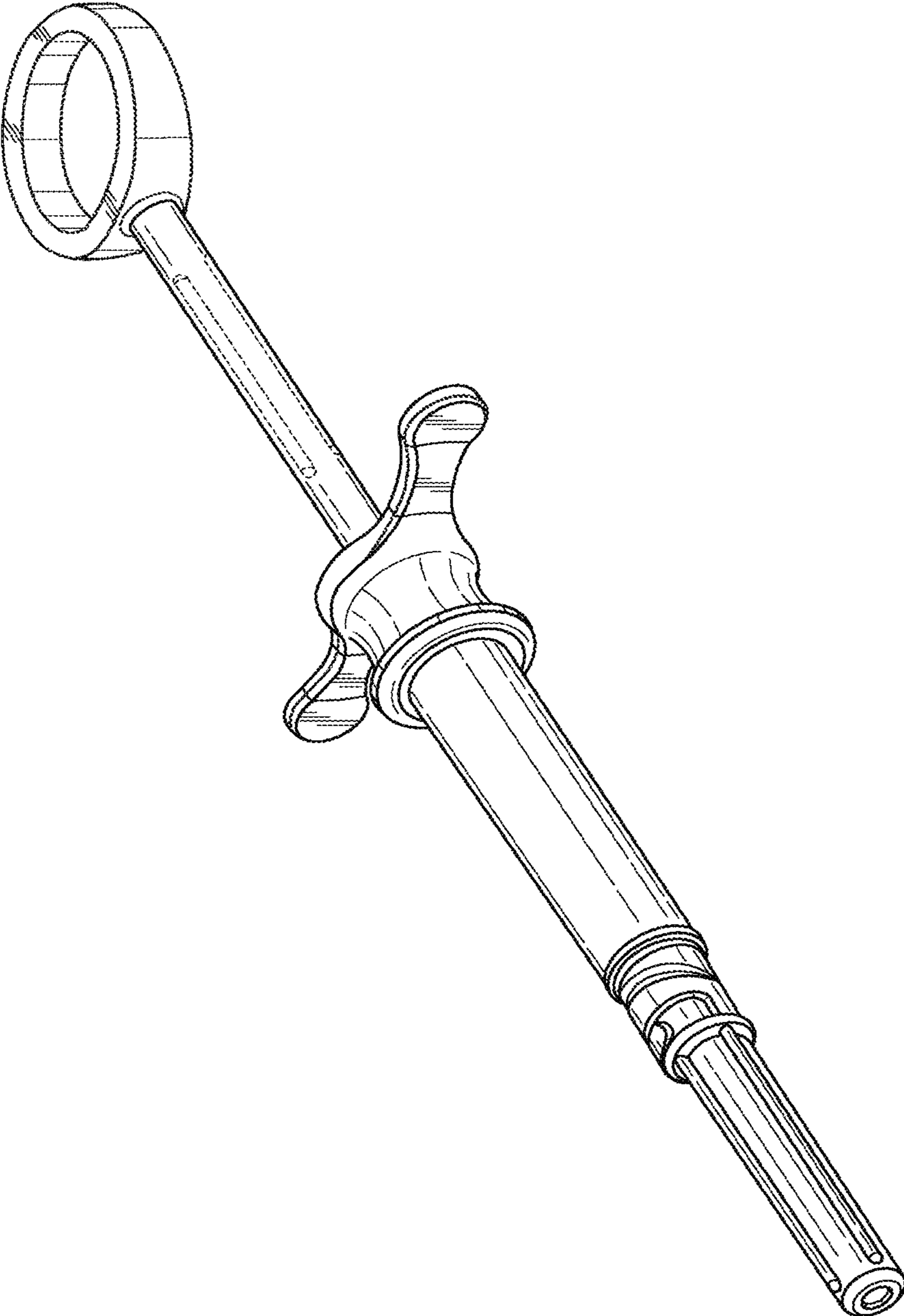


FIG. 1

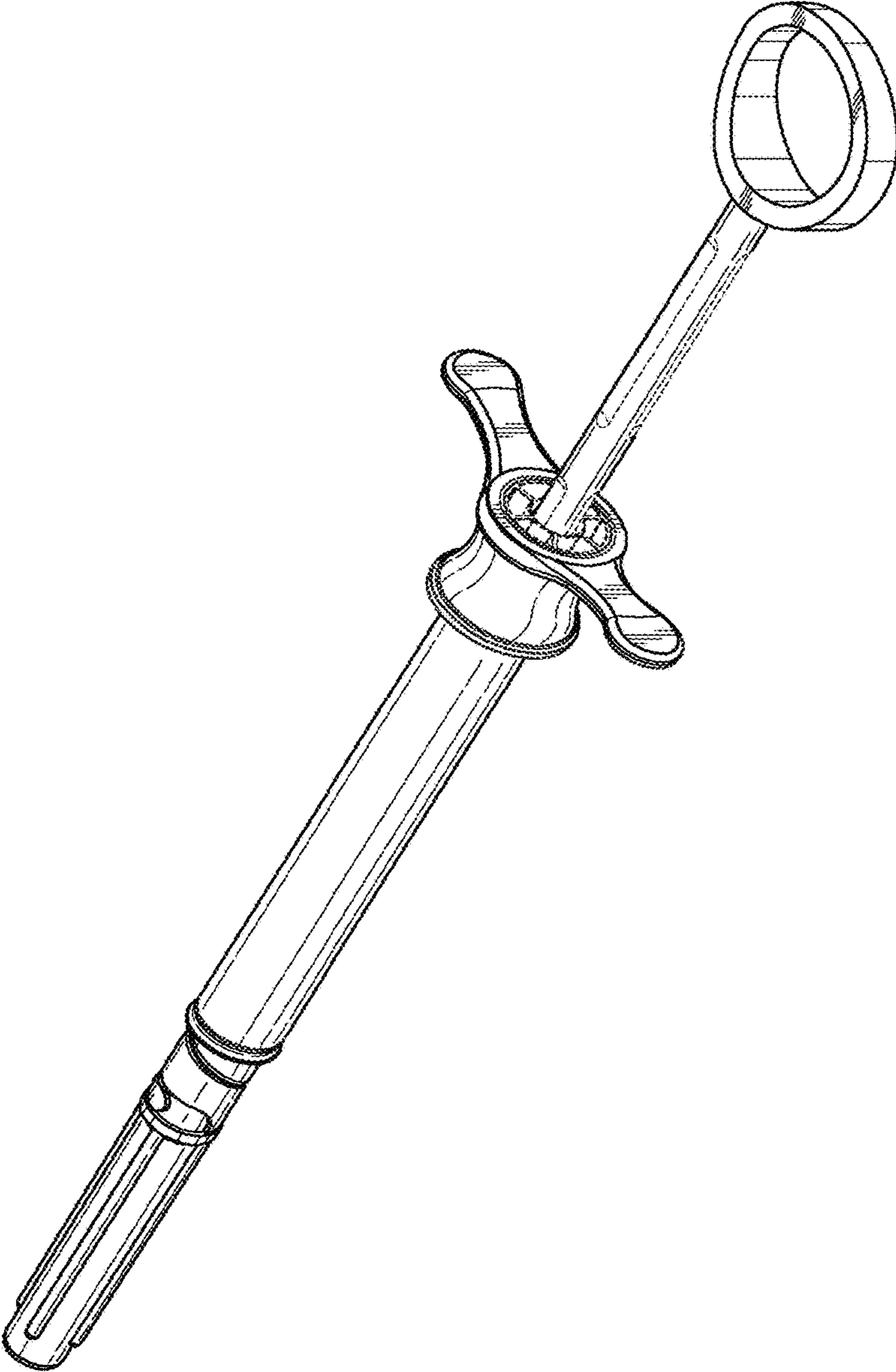


FIG. 2

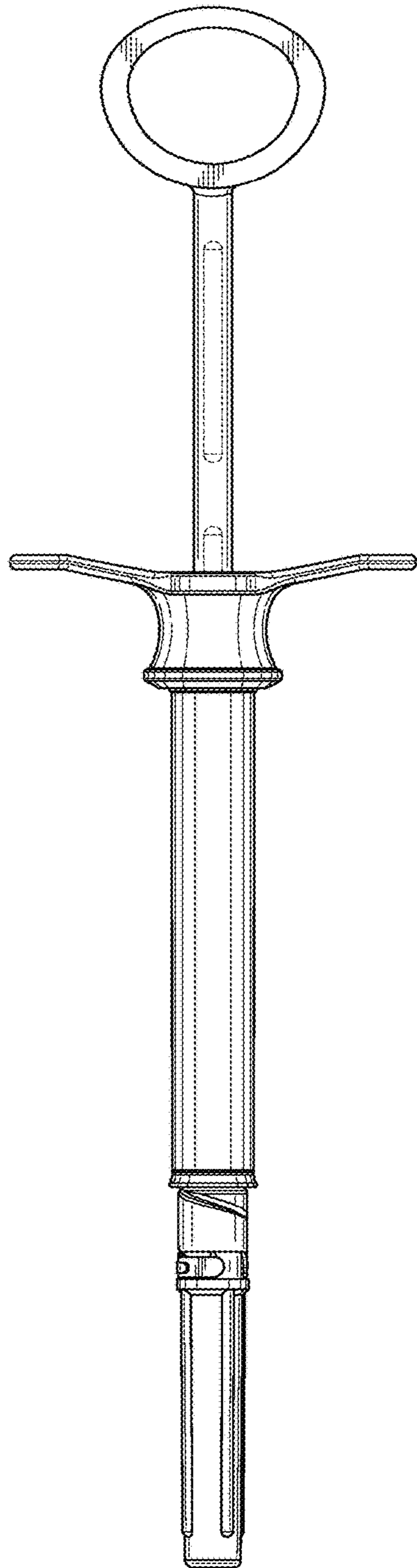


FIG. 3

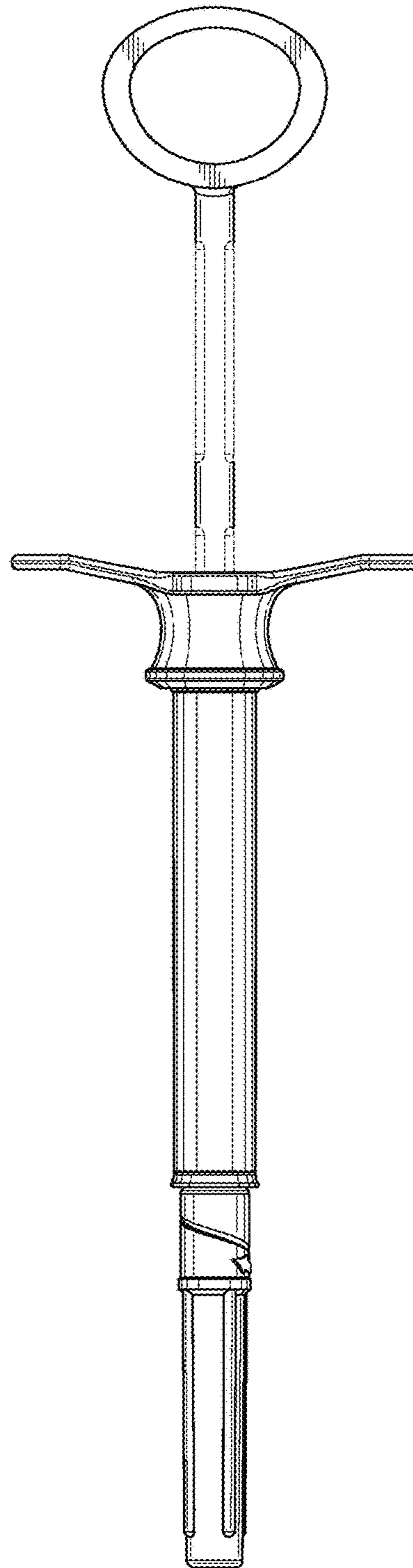


FIG. 4

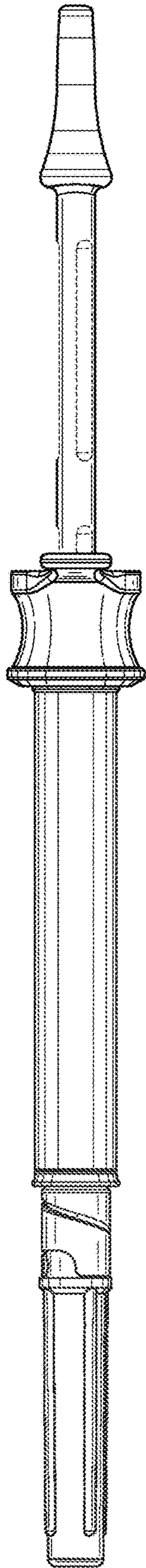


FIG. 5

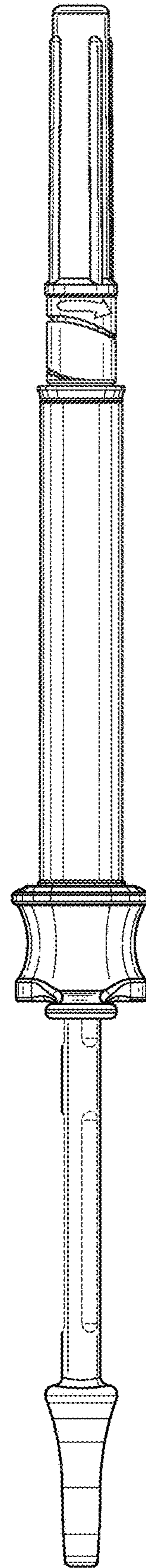


FIG. 6

FIG. 7

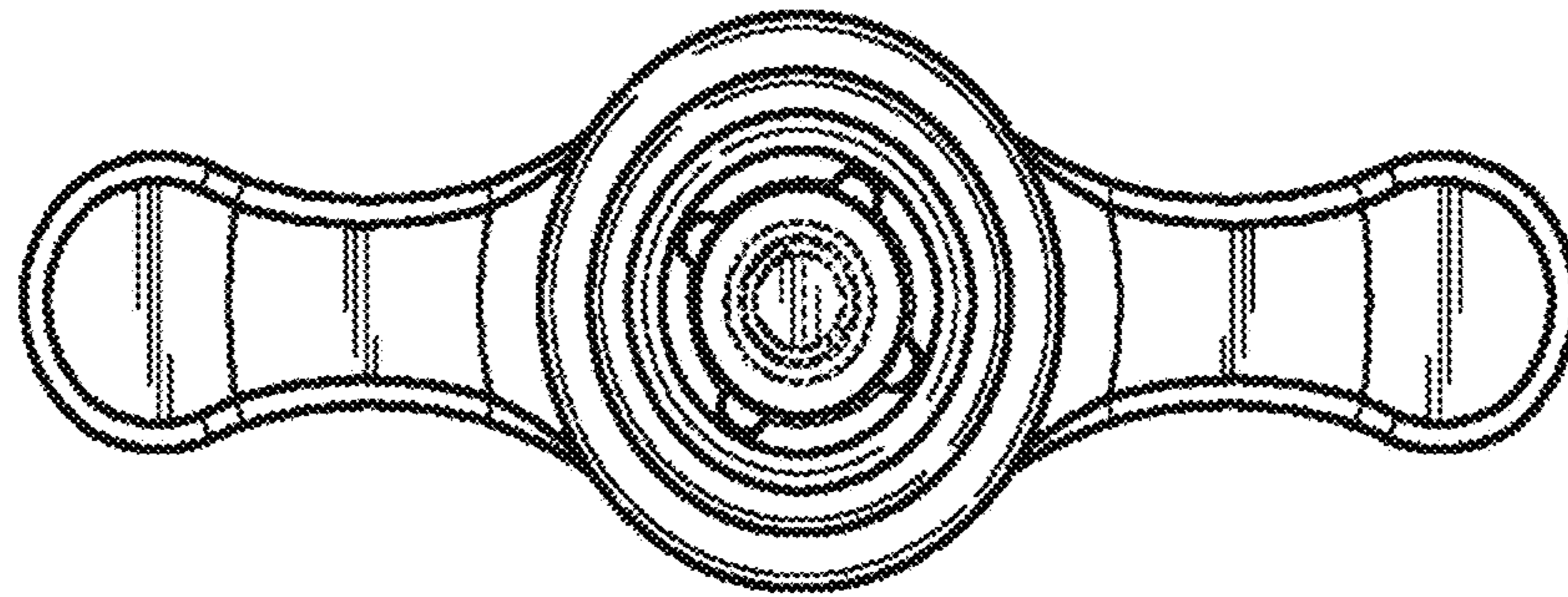
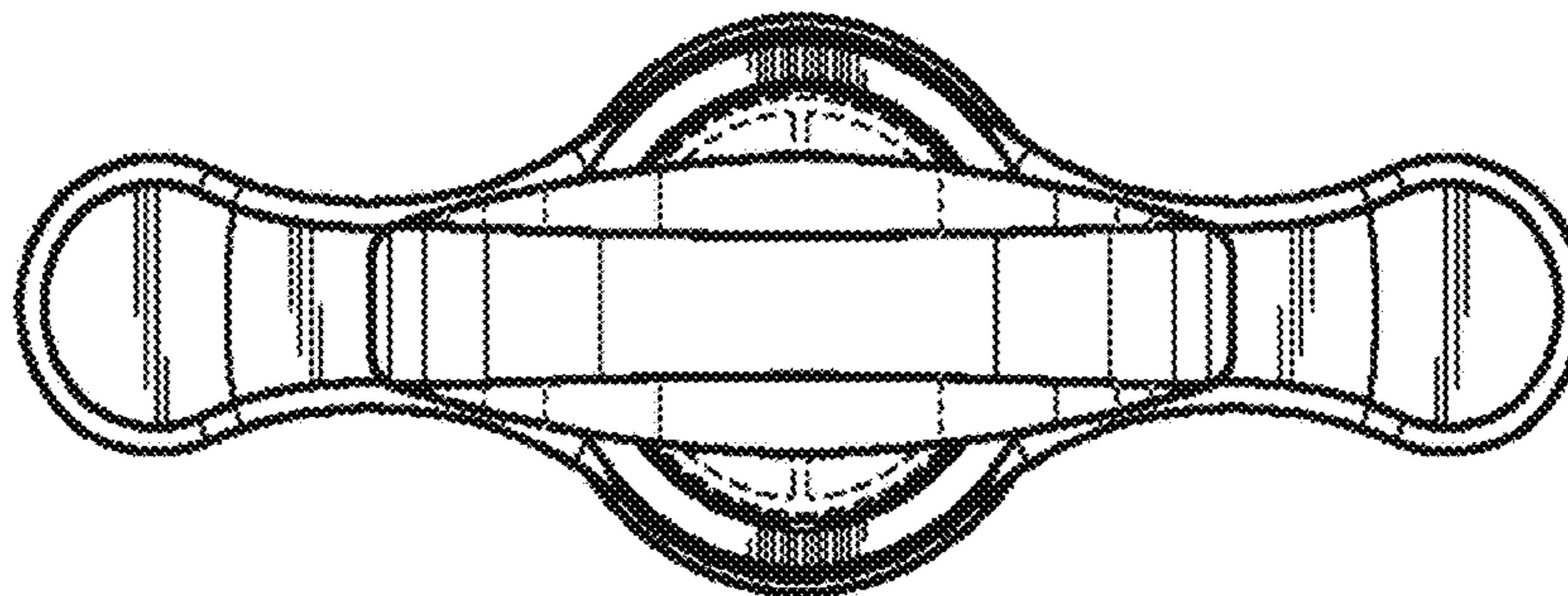


FIG. 8



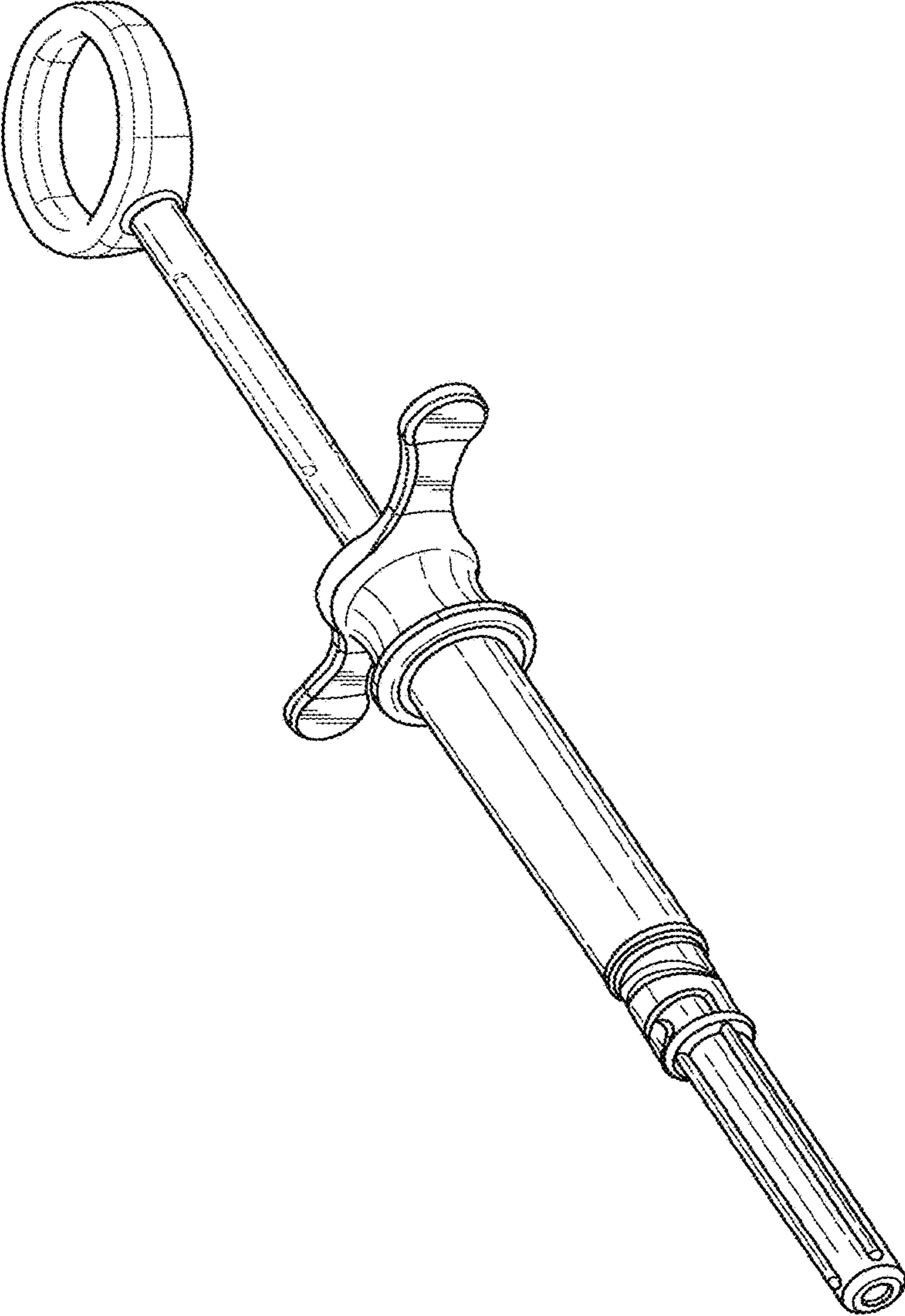


FIG. 9



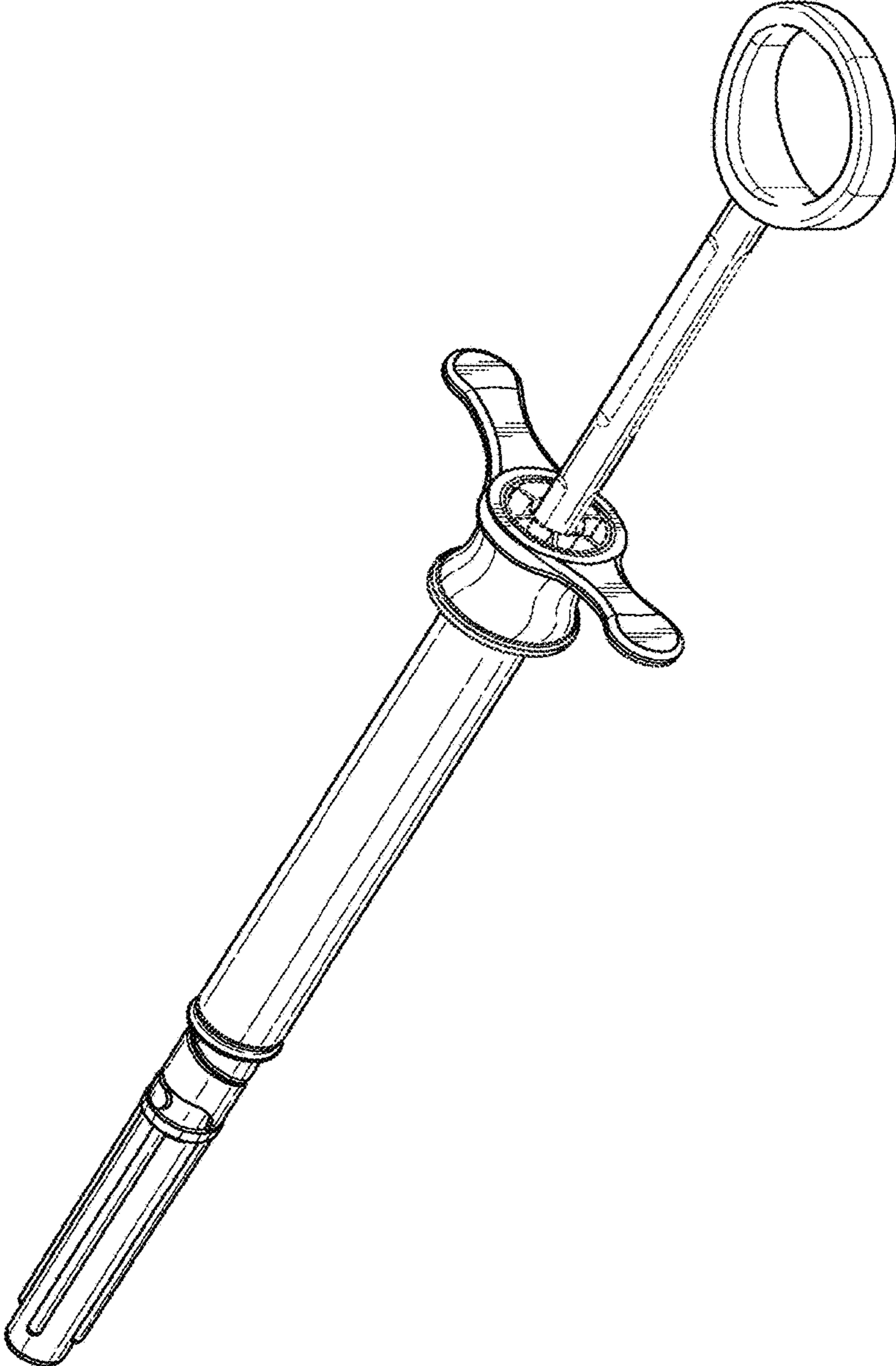


FIG. 10

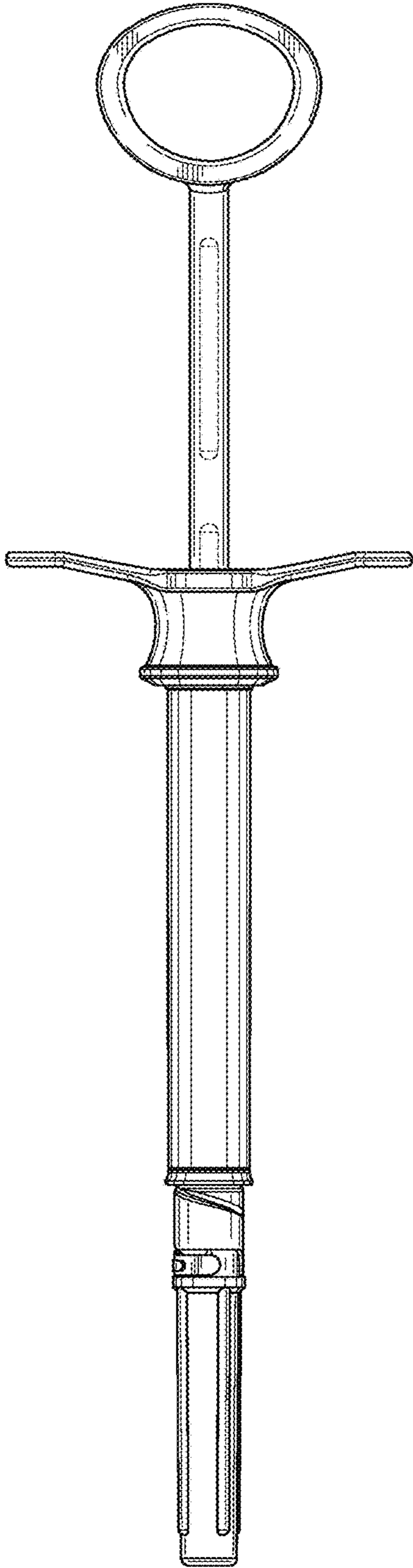


FIG. 11

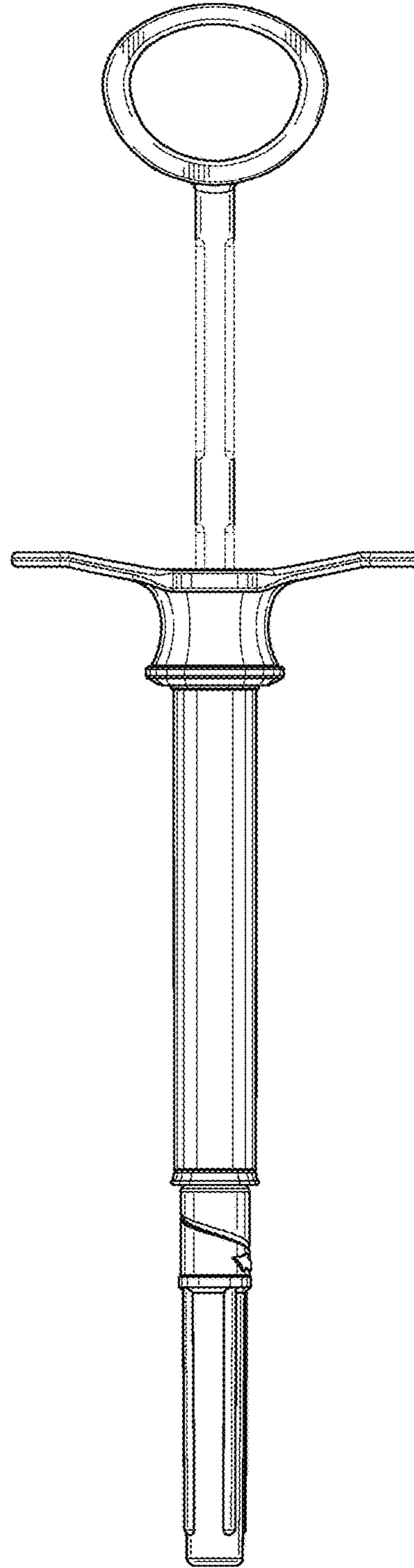


FIG. 12

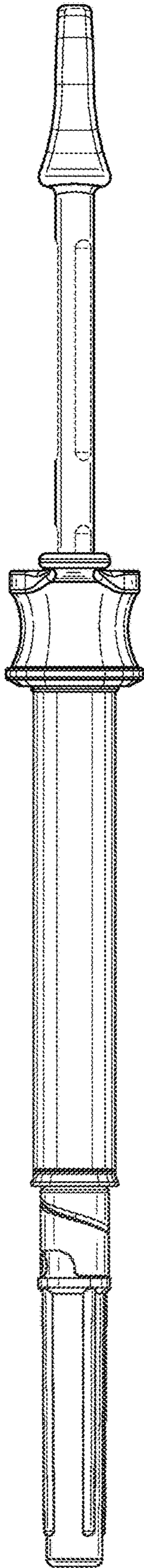


FIG. 13

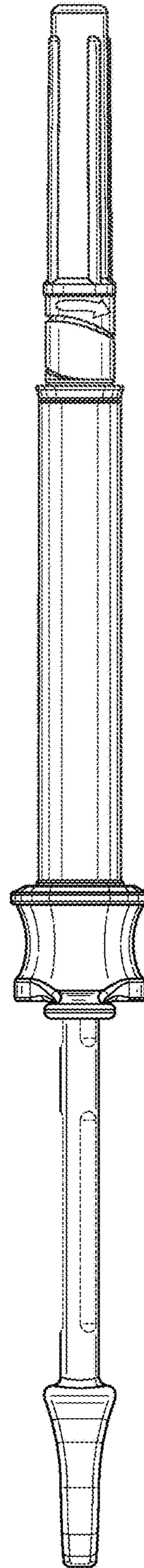


FIG. 14

FIG. 15

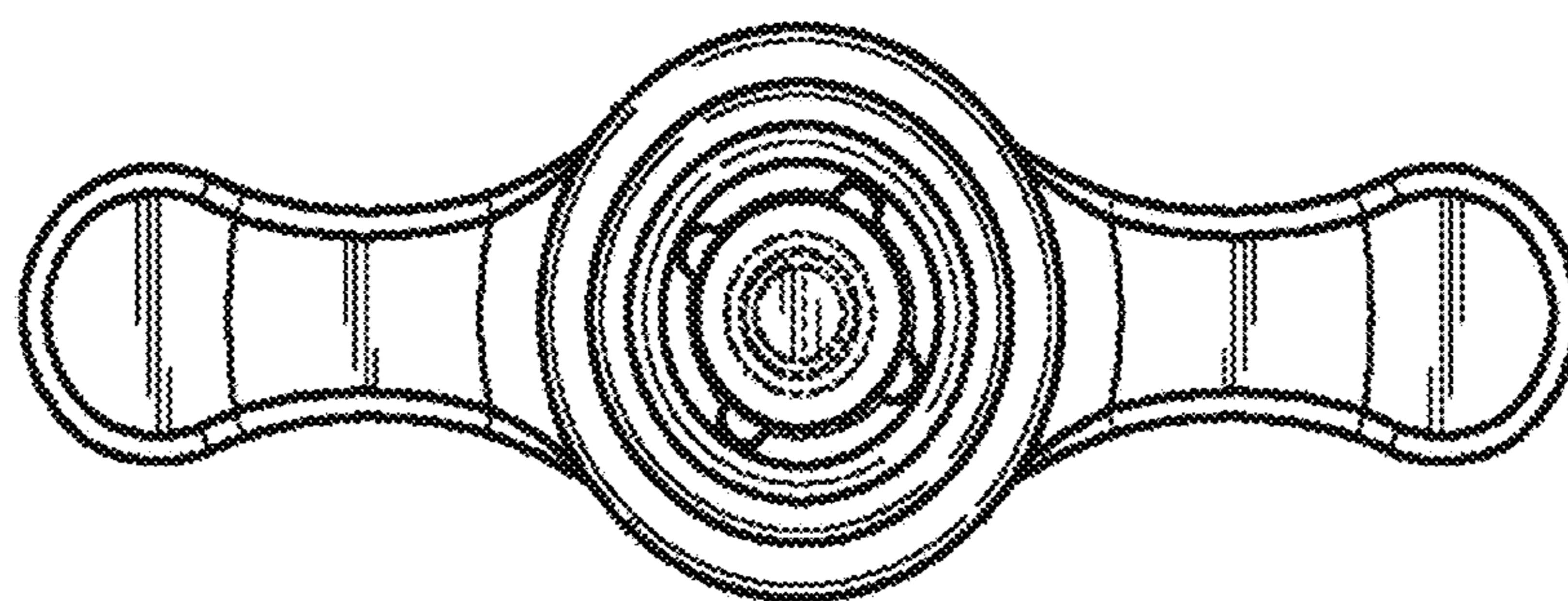


FIG. 16

