



US00D811587S

(12) **United States Design Patent** (10) **Patent No.:** **US D811,587 S**
Mitchell (45) **Date of Patent:** **** Feb. 27, 2018**

(54) **SUCTION TIP**

(71) Applicant: **Dr. Kenneth B. Mitchell Inc.,**
Vancouver (CA)

(72) Inventor: **Kenneth B. Mitchell,** Vancouver (CA)

(73) Assignee: **Dr. Kenneth B. Mitchell Inc.,**
Vancouver (CA)

(**) Term: **15 Years**

(21) Appl. No.: **29/581,491**

(22) Filed: **Oct. 19, 2016**

(30) **Foreign Application Priority Data**

Apr. 19, 2016 (CA) 168117

(51) **LOC (11) Cl.** **24-02**

(52) **U.S. Cl.**
USPC **D24/112**

(58) **Field of Classification Search**

USPC D24/108, 111, 112, 114, 127, 128, 129,
D24/130, 133, 141, 146, 147, 152, 186,

(Continued)

(56) **References Cited**

U.S. PATENT DOCUMENTS

4,739,756 A * 4/1988 Horn A61M 16/0463
128/207.14

D311,784 S * 10/1990 Schwartz D28/48
(Continued)

FOREIGN PATENT DOCUMENTS

WO WO 2015063910 * 5/2015 A61M 5/329

Primary Examiner — Sheryl Lane

Assistant Examiner — Calvin E Vansant

(74) *Attorney, Agent, or Firm* — Marshall, Gerstein &
Borun LLP

(57) **CLAIM**

The ornamental design for a suction tip, as shown and described.

DESCRIPTION

FIG. 1 is a right side elevation view of a suction tip of the invention, the left side elevation view being a mirror image thereof;

FIG. 2 is a front elevation view of the invention illustrated in FIG. 1;

FIG. 3 is a rear elevation view of the invention illustrated in FIG. 1;

FIG. 4 is an enlarged top plan view of the invention illustrated in FIG. 1;

FIG. 5 is an enlarged bottom plan view of the invention illustrated in FIG. 1;

FIG. 6 is a right side elevation view of a first variant of the suction tip of the invention, the left side elevation view being a mirror image thereof;

FIG. 7 is a front elevation view of the invention illustrated in FIG. 6;

FIG. 8 is a rear elevation view of the invention illustrated in FIG. 6;

FIG. 9 is an enlarged top plan view of the invention illustrated in FIG. 6;

FIG. 10 is an enlarged bottom plan view of the invention illustrated in FIG. 6;

FIG. 11 is a right side elevation view of a second variant of the suction tip of the invention, the left side elevation view being a mirror image thereof;

FIG. 12 is a front elevation view of the invention illustrated in FIG. 11;

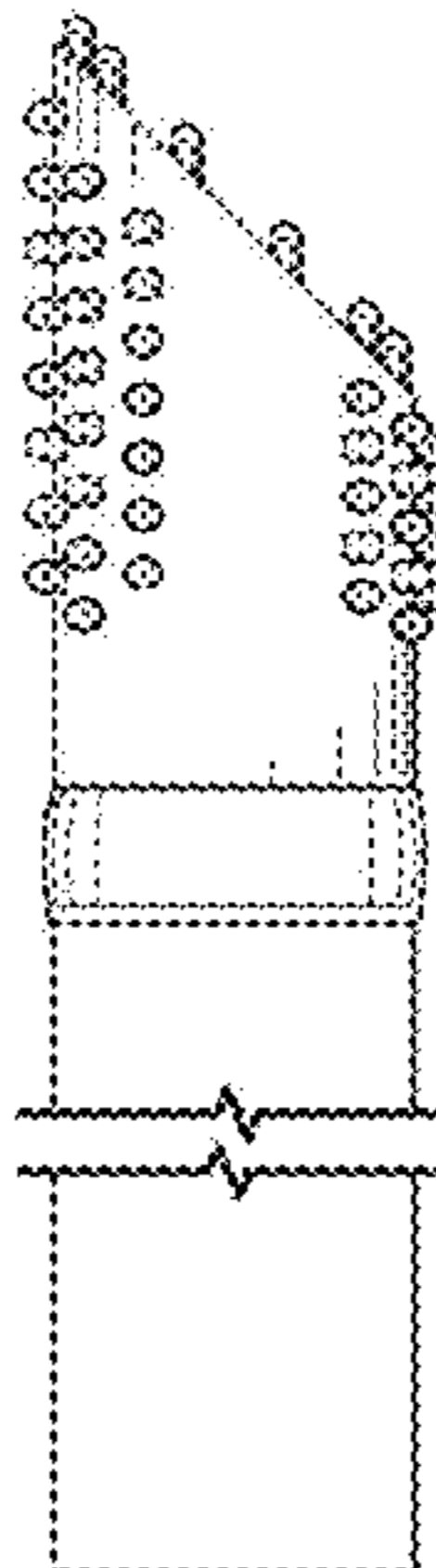
FIG. 13 is a rear elevation view of the invention illustrated in FIG. 11;

FIG. 14 is an enlarged top plan view of the invention illustrated in FIG. 11; and,

FIG. 15 is an enlarged bottom plan view of the invention illustrated in FIG. 11.

The broken lines in the drawings illustrate portions of the suction tip and form no part of the claimed design. The suction tip is shown with a symbolic break in its length in FIGS. 1-3, 6-8, and 11-13. The appearance of any portion of the article between the break lines forms no part of the claimed design.

1 Claim, 3 Drawing Sheets



(58) **Field of Classification Search**

USPC D24/214, 215; D8/93, 97, 300, 310, 311;
D23/223, 262
CPC A61B 1/00094; A61M 2005/1583; A61M
2005/1586; A61M 2005/3277; A61M
5/158; A61M 5/1582; A61M 5/3243;
A61M 25/0606; A61M 25/0612; A61M
25/0631; A61M 25/0637

See application file for complete search history.

(56) **References Cited**

U.S. PATENT DOCUMENTS

D312,872 S * 12/1990 Mahl D24/112
D361,695 S * 8/1995 Sutker D7/401.2
D376,853 S * 12/1996 Hsia D24/214
5,623,739 A * 4/1997 Thompson A46B 5/02
15/143.1
D391,825 S * 3/1998 Larson D8/303
D414,898 S * 10/1999 Grange D28/48
D456,667 S * 5/2002 Veltri D7/387
D518,144 S * 3/2006 Py D23/213
7,172,419 B2 * 2/2007 Hasegawa A61C 17/043
433/91
D543,829 S * 6/2007 Berti D8/107
D581,244 S * 11/2008 Berti D8/107
D588,405 S * 3/2009 Libman D7/395
D589,773 S * 4/2009 Finochiaro D21/756
D612,706 S * 3/2010 Libman D32/52
D632,387 S * 2/2011 Sidhu A61C 17/043
D24/112
D707,408 S * 6/2014 Ishibashi D32/25
D717,016 S * 11/2014 Osenga D1/199
D778,056 S * 2/2017 Wada D4/101

* cited by examiner

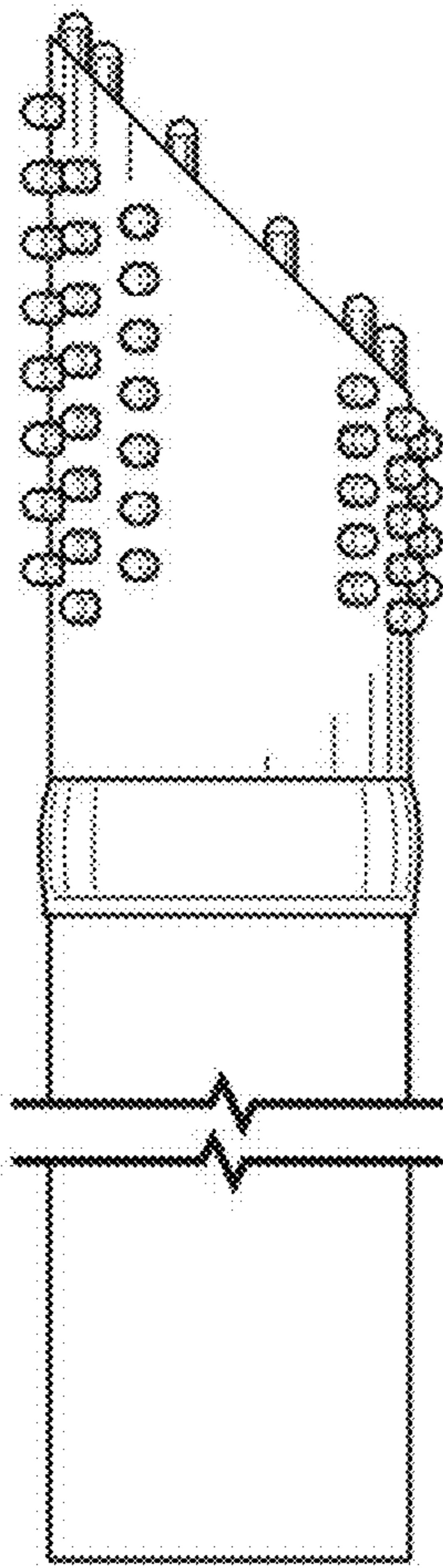


FIG. 1

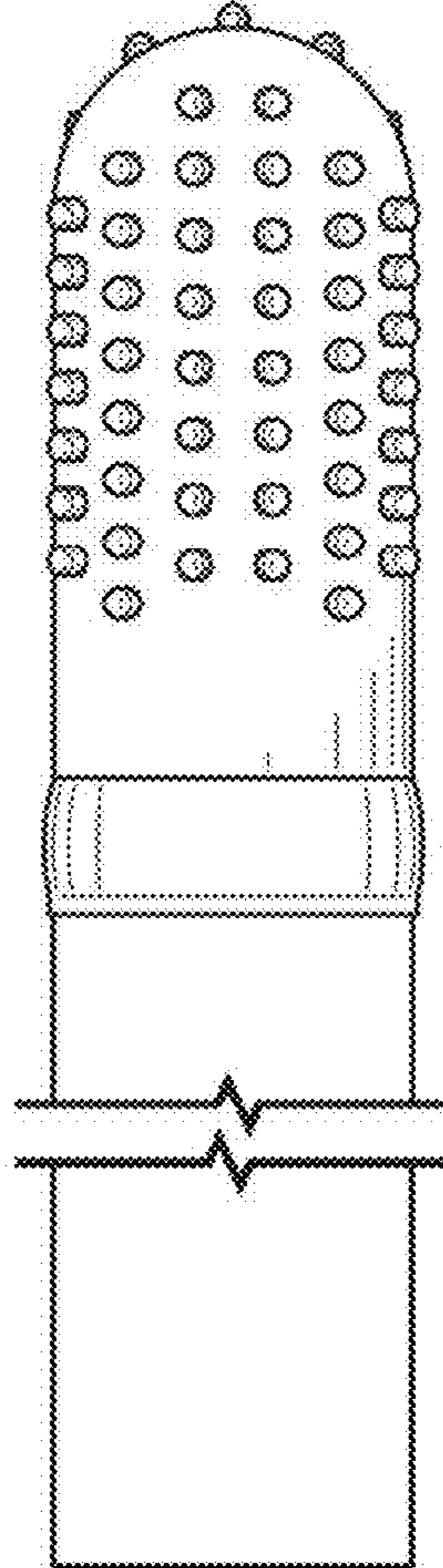


FIG. 2

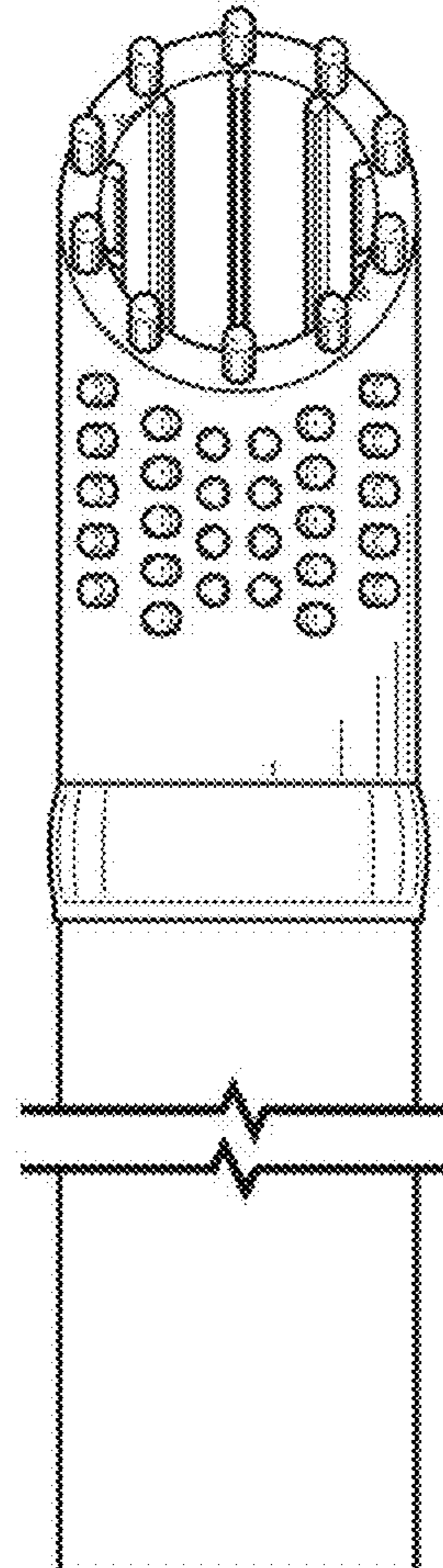


FIG. 3

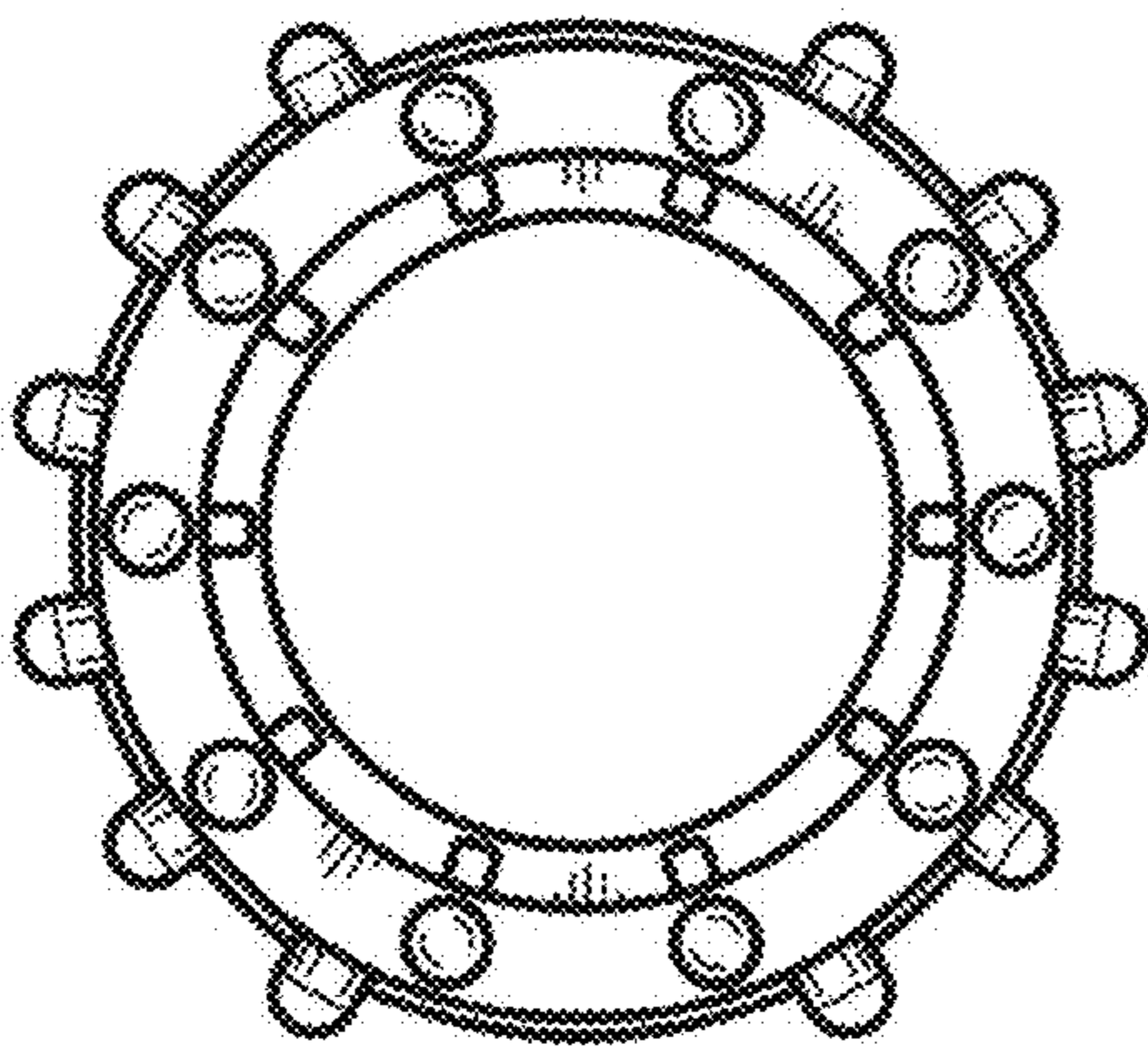


FIG. 4

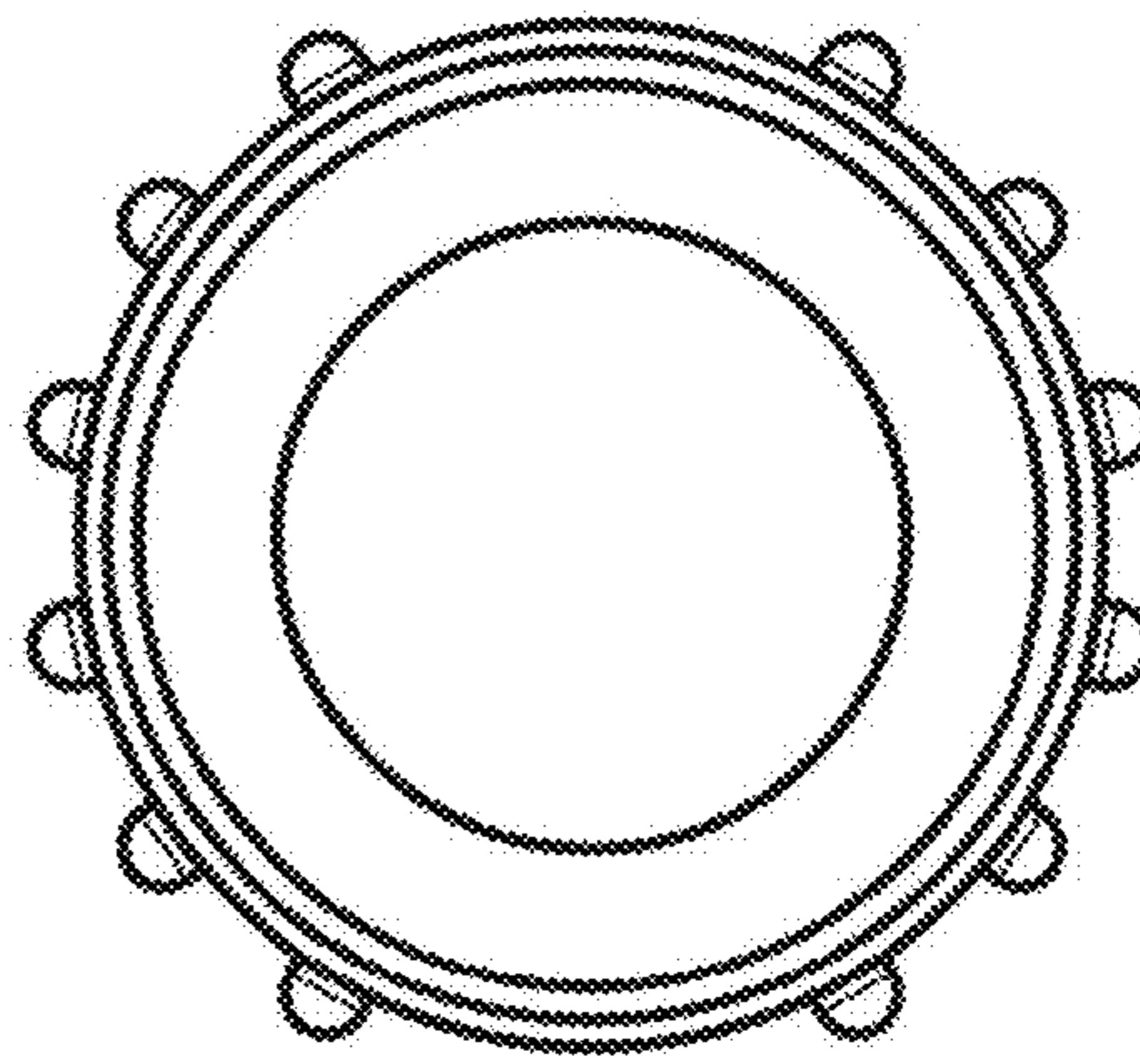


FIG. 5

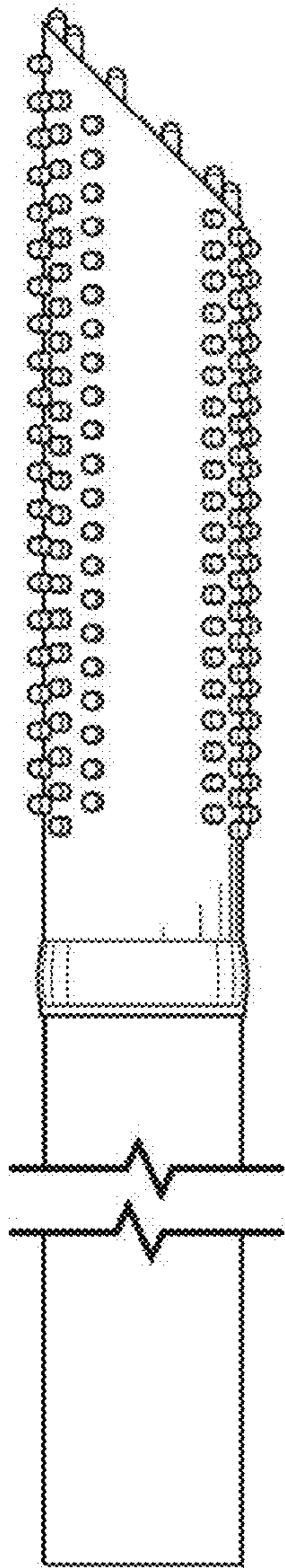


FIG. 6

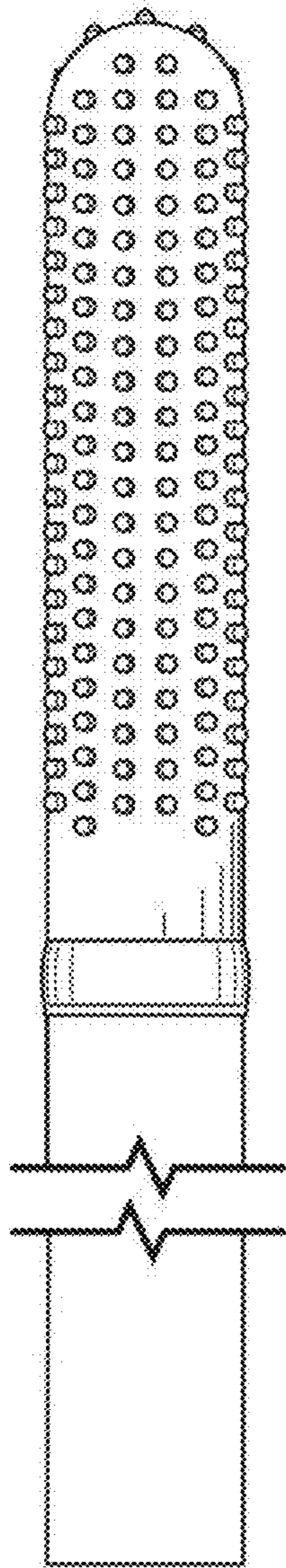


FIG. 7

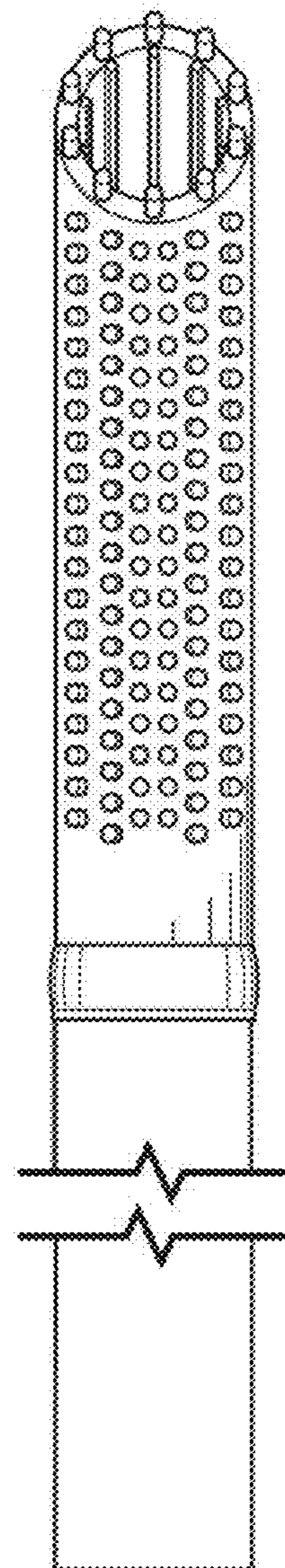


FIG. 8

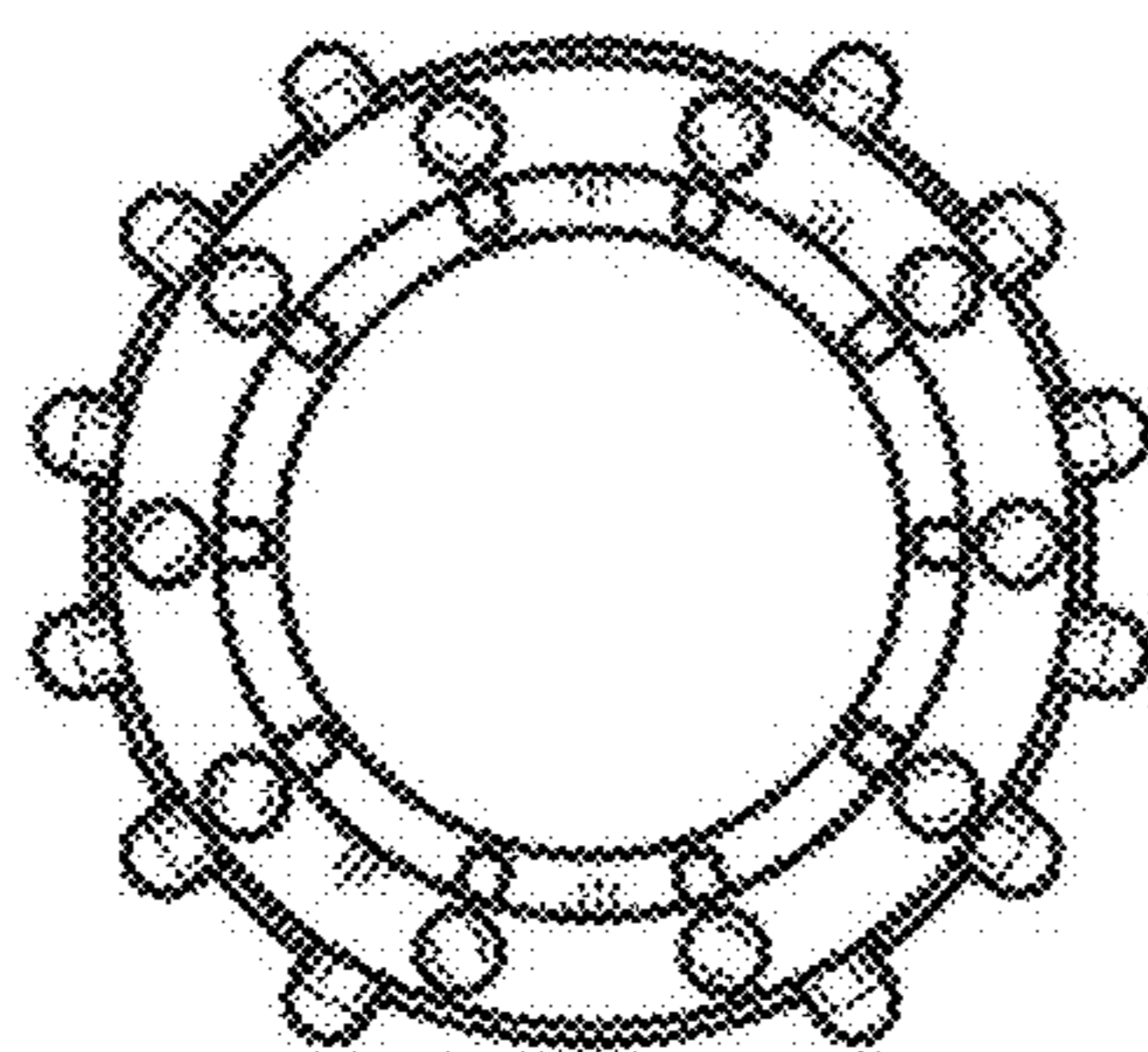


FIG. 9

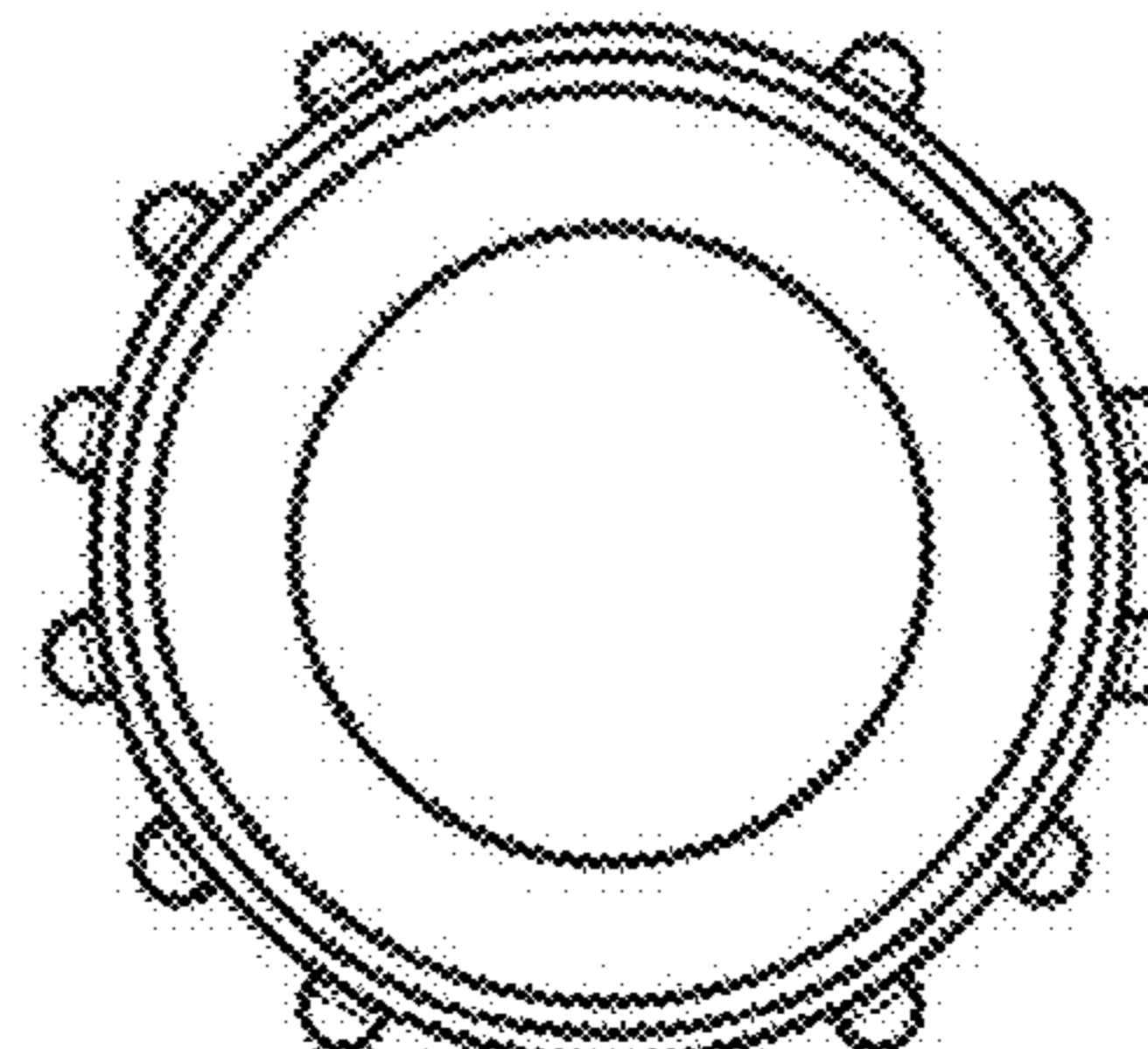


FIG. 10

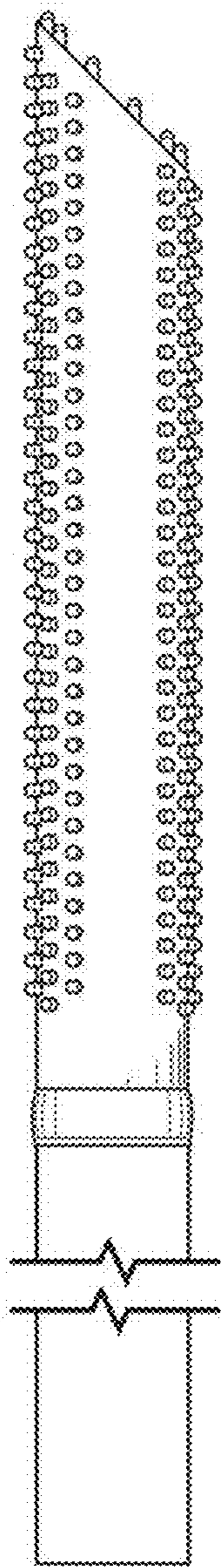


FIG. 11

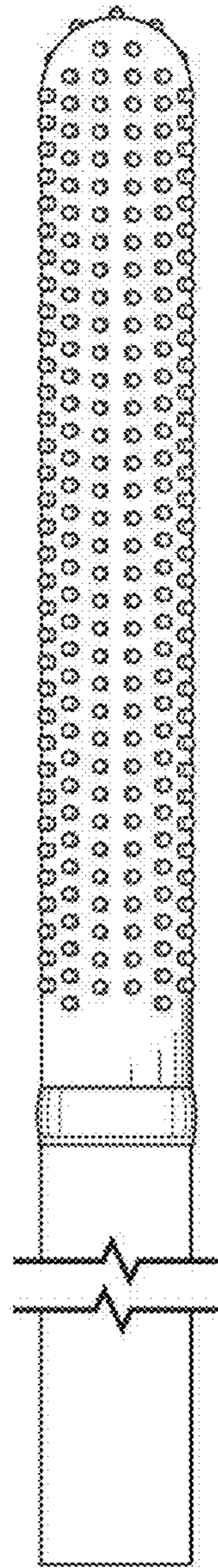


FIG. 12

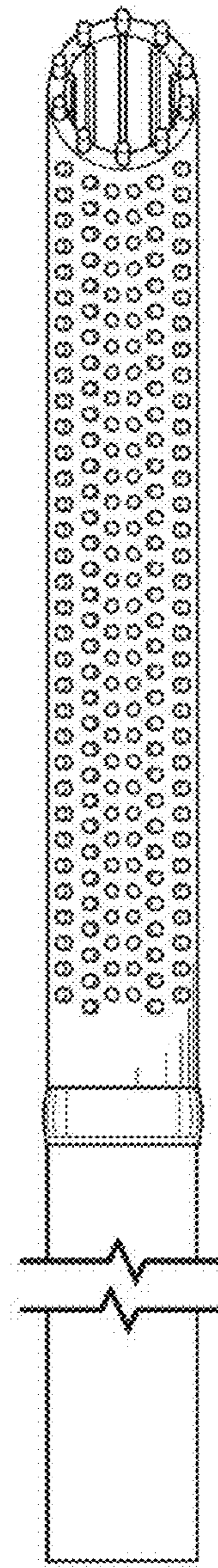


FIG. 13

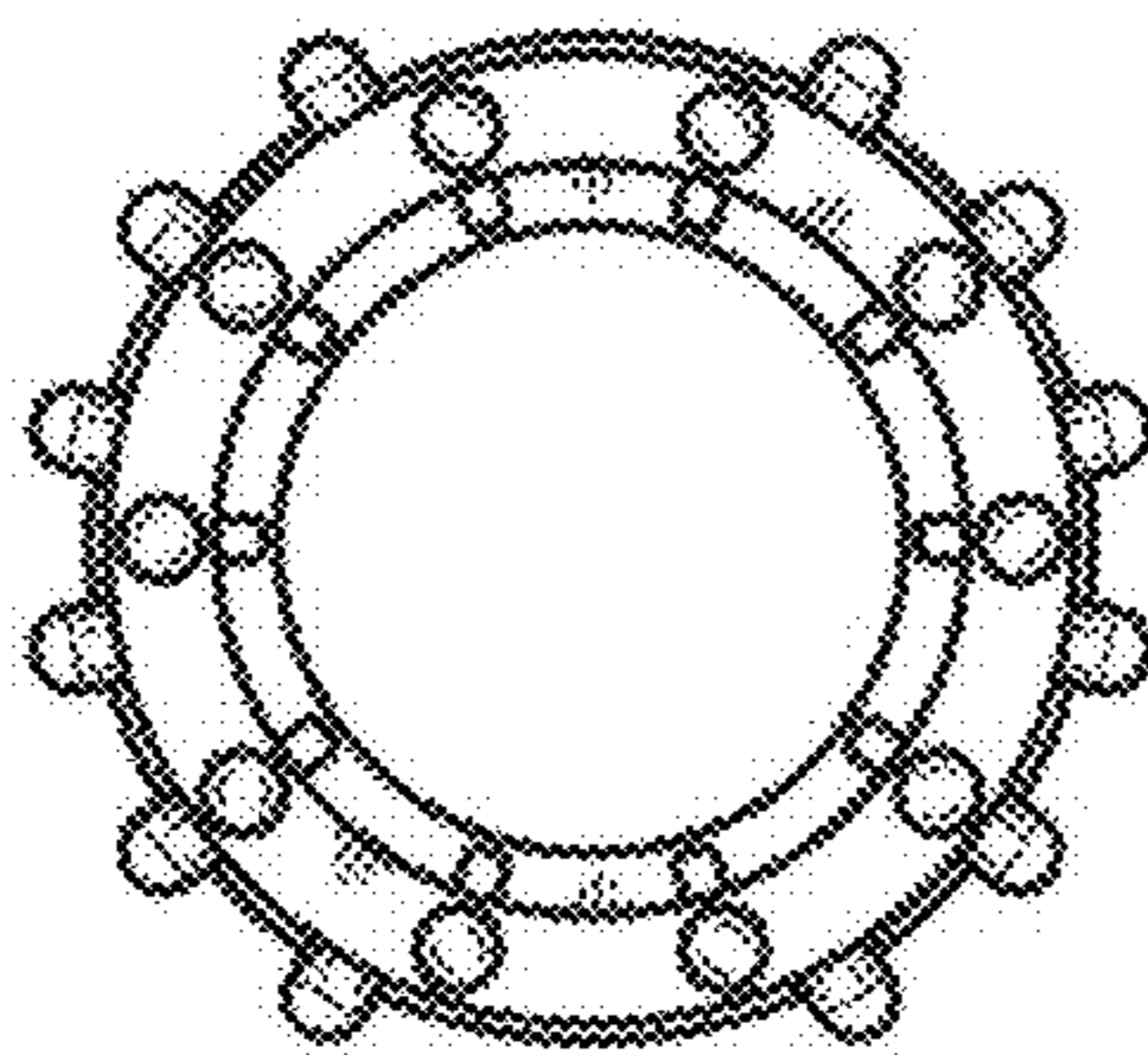


FIG. 14

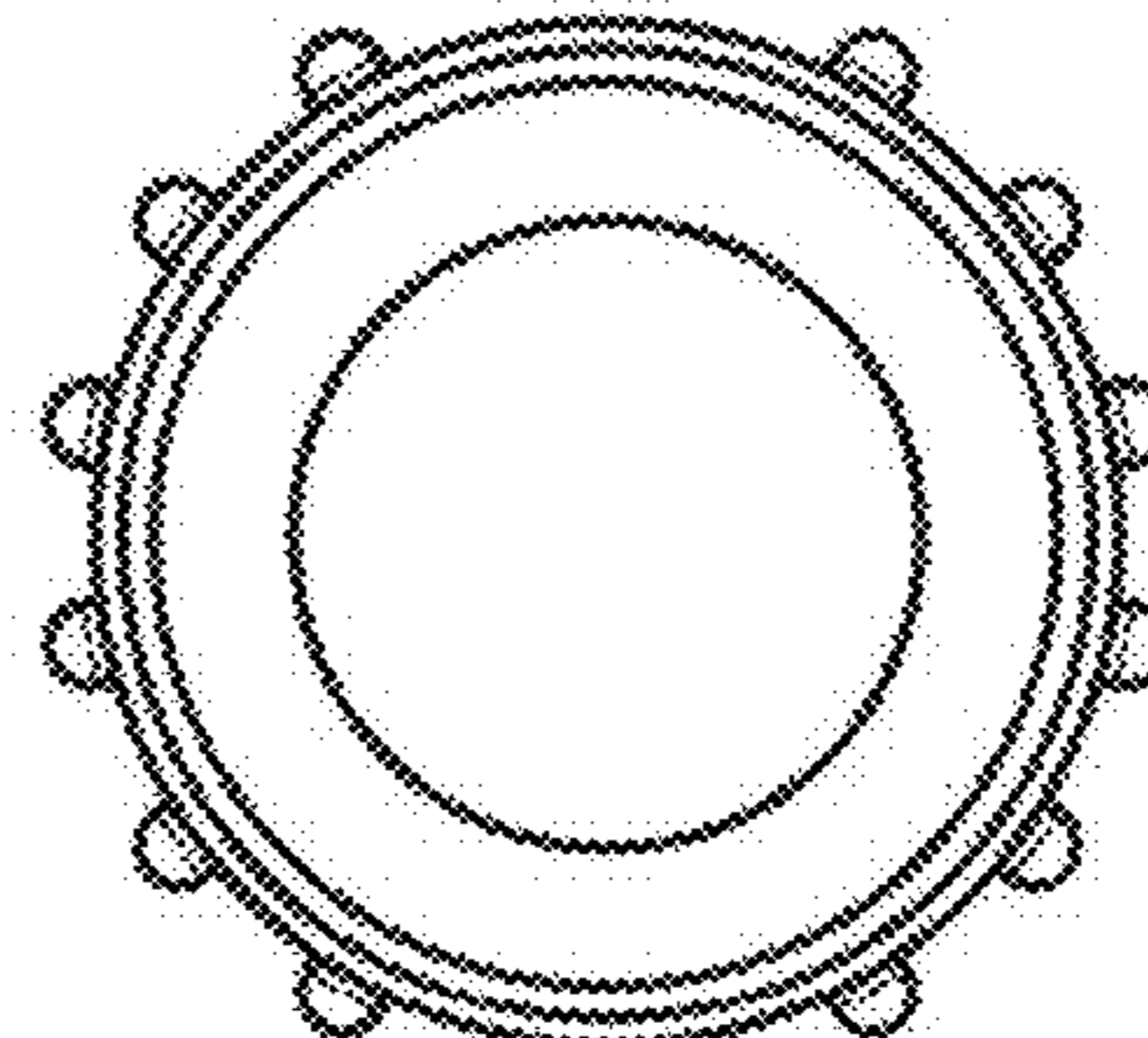


FIG. 15