



US00D811586S

(12) **United States Design Patent**  
**Bureau**

(10) **Patent No.:** **US D811,586 S**  
(45) **Date of Patent:** **\*\* Feb. 27, 2018**

(54) <b>MEDICINE INJECTOR</b>	7,654,484 B2 * 2/2010 Mogensen ..... A61M 5/1418 242/402
(71) Applicant: <b>NUOVA OMPI S.r.l.</b> , Piombino Dese (Padua) (IT)	7,985,199 B2 * 7/2011 Kornerup ..... A61M 5/158 604/93.01
(72) Inventor: <b>Christophe Bureau</b> , Grenoble (FR)	D655,000 S * 2/2012 Mirigian ..... D24/130
(73) Assignee: <b>NUOVA OMPI S.R.L.</b> , Piombino Dese (Padua) (IT)	8,123,725 B2 * 2/2012 Carr ..... A61M 5/14248 604/131
(**) Term: <b>15 Years</b>	8,430,848 B1 * 4/2013 Dawrant ..... A61M 37/00 604/132
(21) Appl. No.: <b>29/571,725</b>	8,684,968 B2 * 4/2014 Genosar ..... A61M 5/14248 604/132
(22) Filed: <b>Jul. 21, 2016</b>	8,708,961 B2 * 4/2014 Field ..... A61M 5/14224 604/131
(30) <b>Foreign Application Priority Data</b>	D732,162 S * 6/2015 Fourt ..... D24/114
Jan. 21, 2016 (EM) ..... 00293687-003	D756,504 S * 5/2016 Sonderegger ..... D24/108
(51) <b>LOC (11) Cl.</b> ..... <b>24-02</b>	D778,434 S * 2/2017 Arami ..... D24/112
(52) <b>U.S. Cl.</b>	D784,525 S * 4/2017 Nguyen ..... D24/127
USPC ..... <b>D24/112</b>	
(58) <b>Field of Classification Search</b>	
USPC ..... D24/112-114, 108, 133, 130, 127, 186; 606/181, 185; 604/264, 272, 187, 181, 604/184, 227	
CPC ..... A61M 5/178; A61M 3/00; A61M 5/20; A61M 5/31; A61M 5/3146; A61M 5/3129; A61M 5/3148; A61M 5/315	
See application file for complete search history.	

\* cited by examiner

*Primary Examiner* — David G Muller  
(74) *Attorney, Agent, or Firm* — Troutman Sanders LLP

(57) **CLAIM**

The ornamental design for a medicine injector, as shown and described.

**DESCRIPTION**

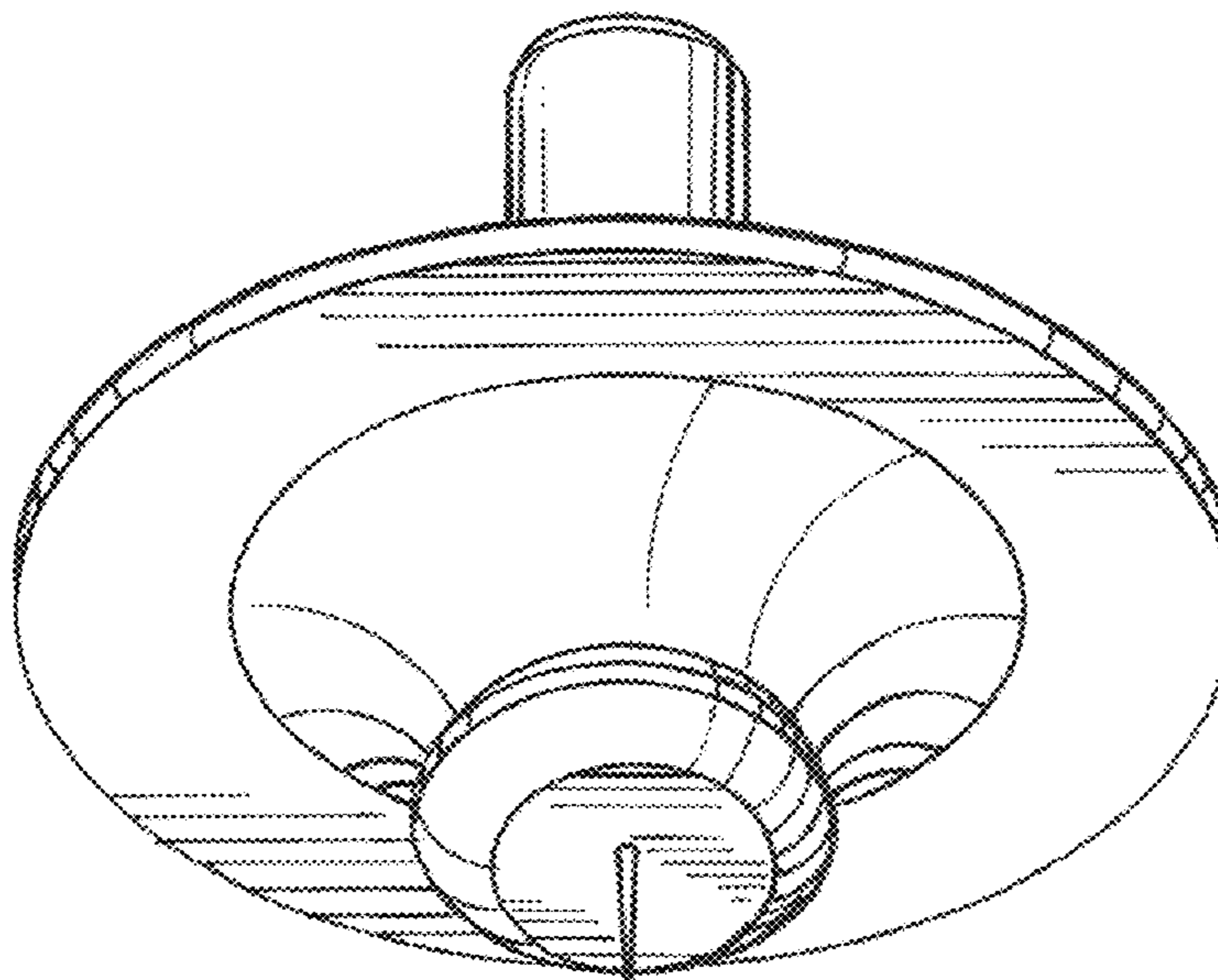
FIG. 1 is a perspective front view of a medicine injector;  
FIG. 2 is a front elevation view thereof;  
FIG. 3 is a rear elevation view thereof;  
FIG. 4 is a top plan view thereof; and,  
FIG. 5 is a bottom plan view thereof.

**1 Claim, 3 Drawing Sheets**

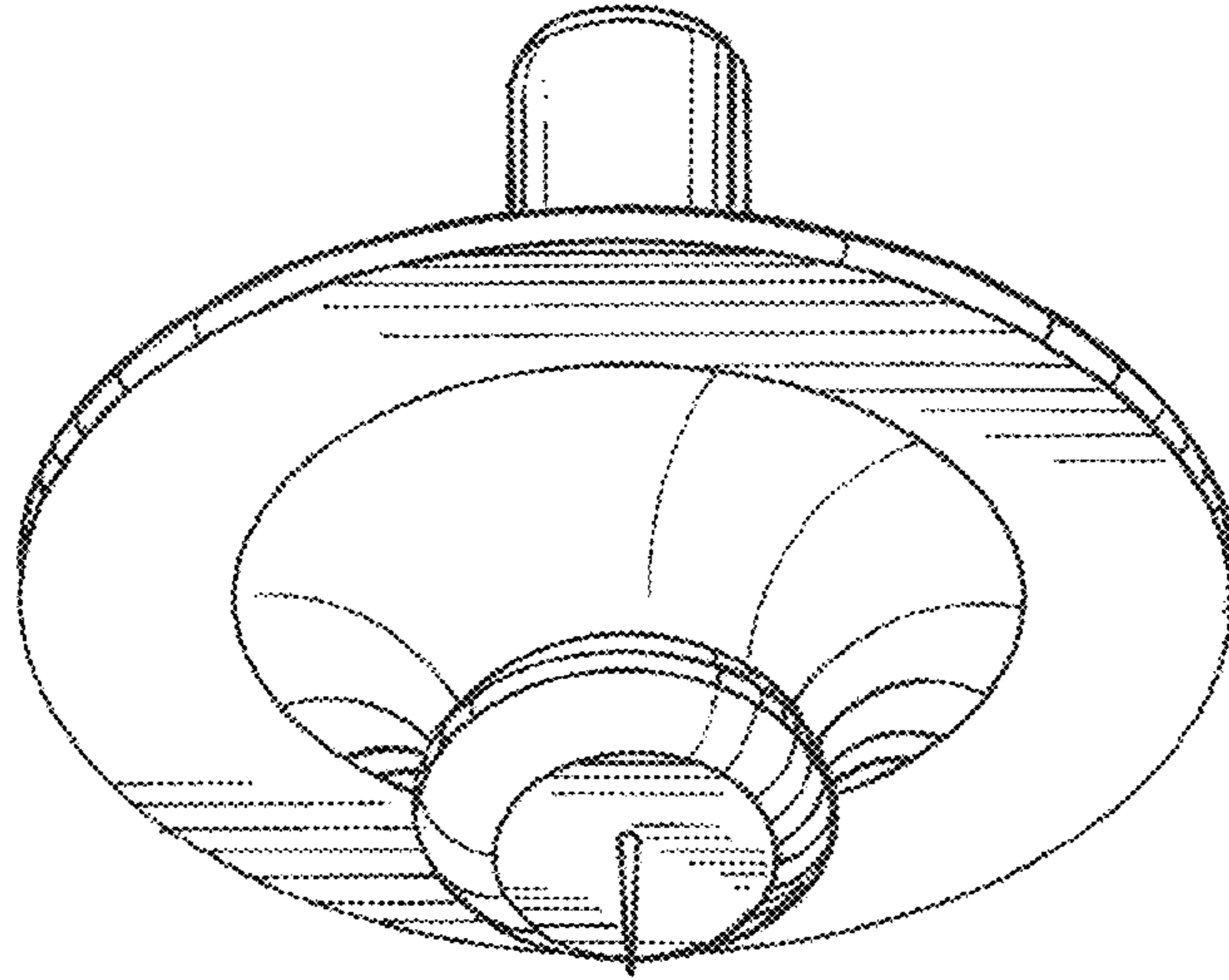
(56) **References Cited**

U.S. PATENT DOCUMENTS

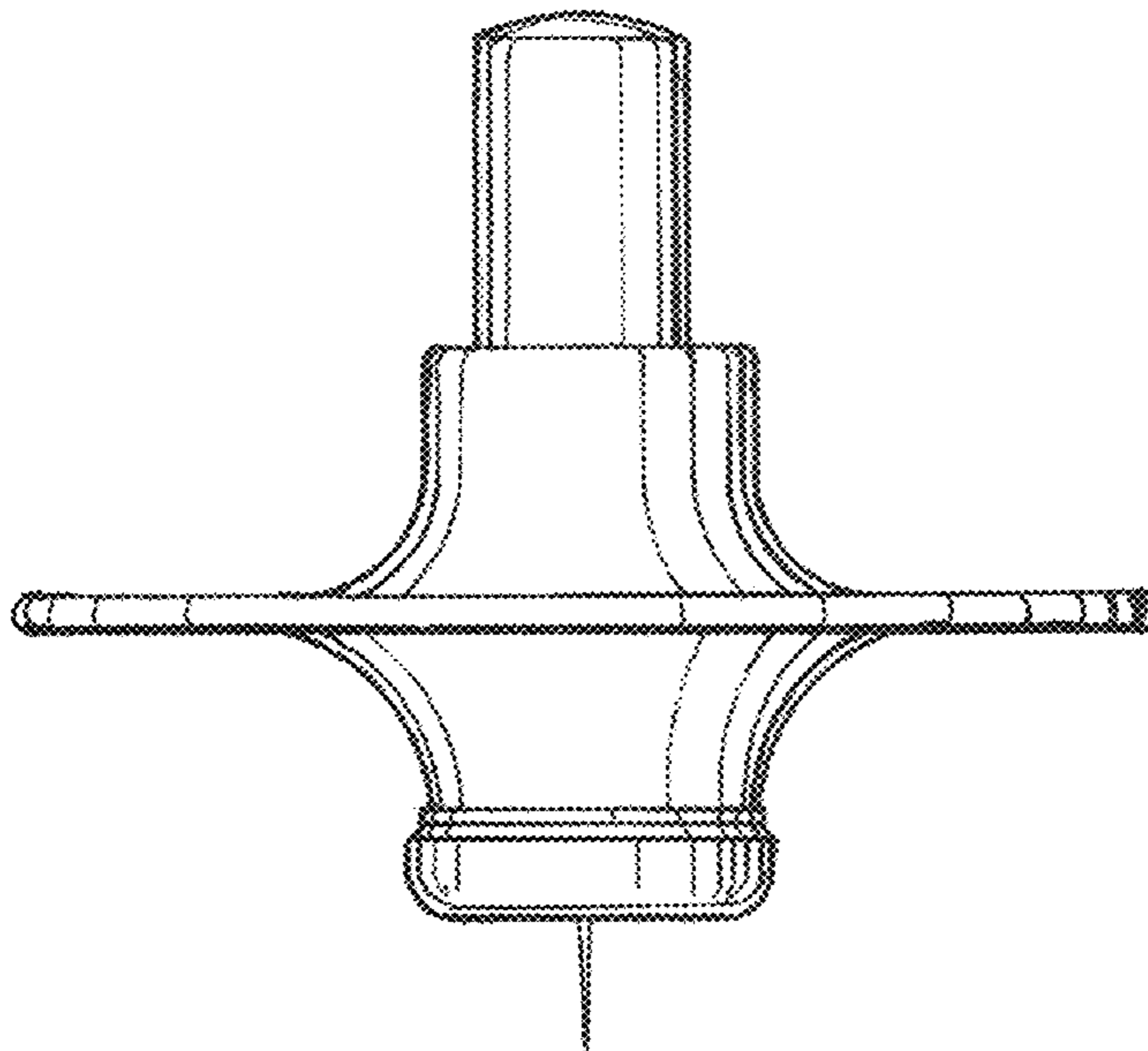
D361,380 S *	8/1995 Linner	.....	D24/112
6,086,562 A *	7/2000 Jacobsen	.....	A61M 5/14248 604/131



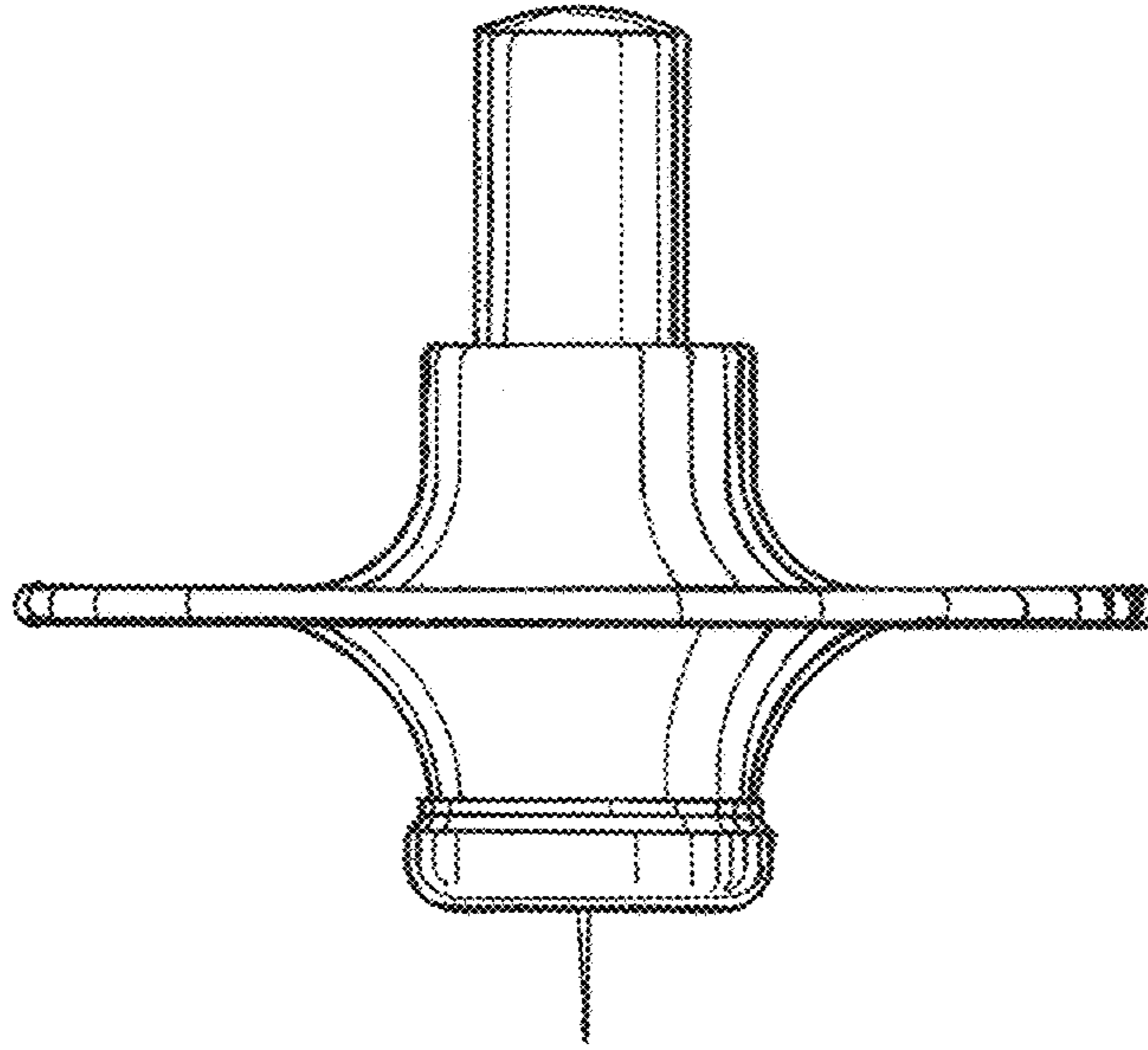
**FIG 1**



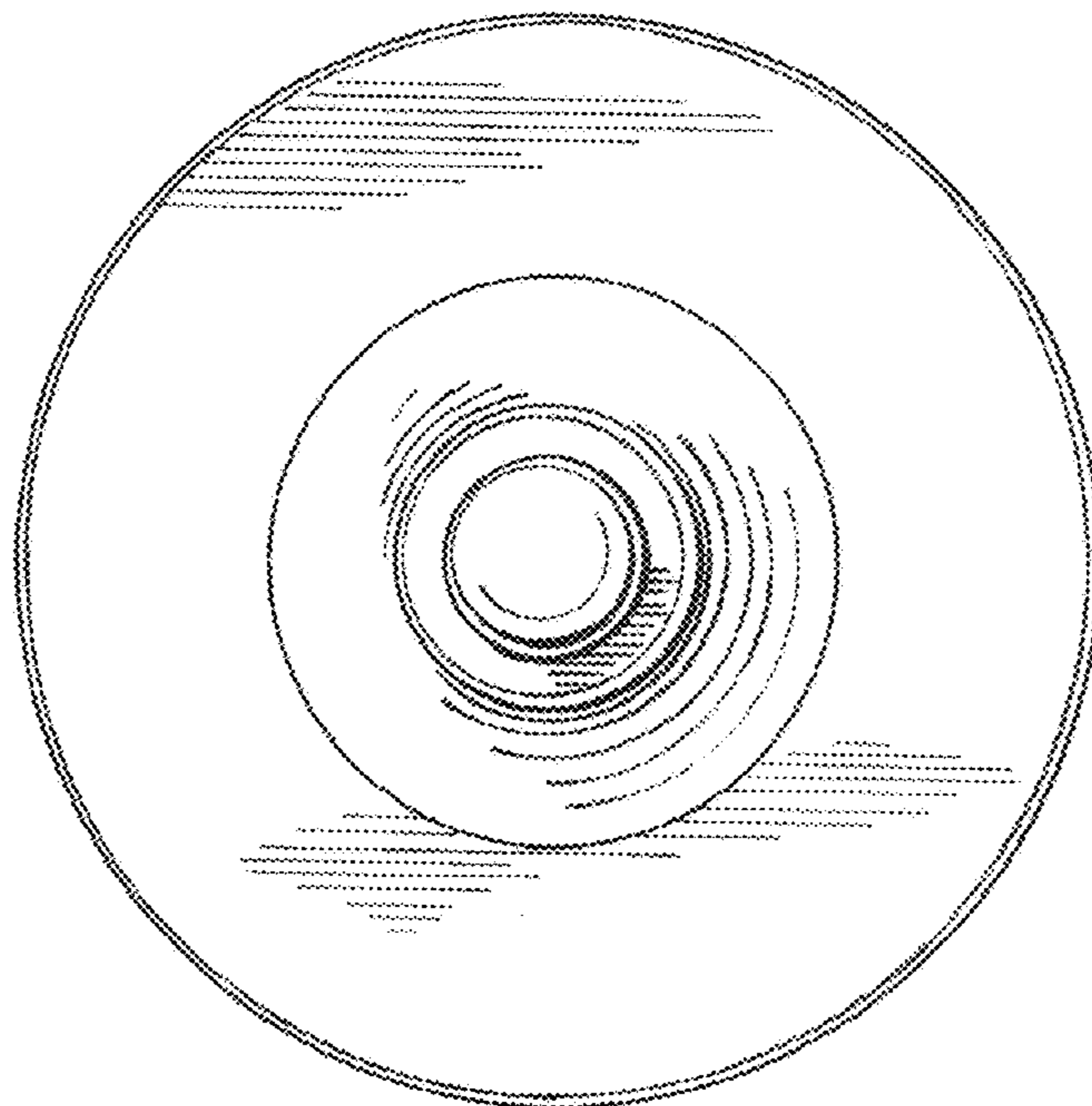
**FIG 2**



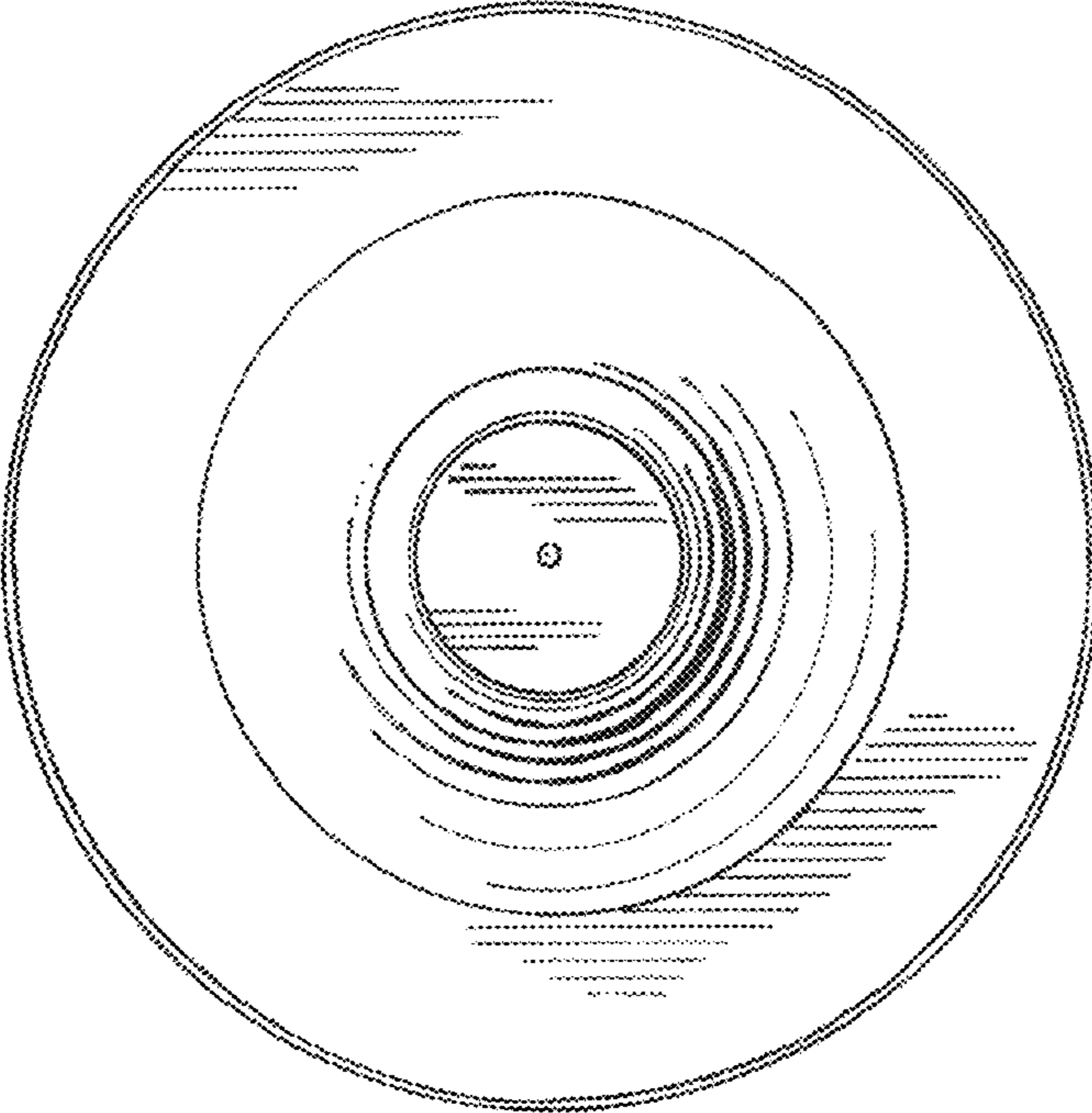
**FIG 3**



**FIG 4**



**FIG 5**



UNITED STATES PATENT AND TRADEMARK OFFICE  
**CERTIFICATE OF CORRECTION**

PATENT NO. : D811,586 S  
APPLICATION NO. : 29/571725  
DATED : February 27, 2018  
INVENTOR(S) : Christophe Bureau

Page 1 of 1

It is certified that error appears in the above-identified patent and that said Letters Patent is hereby corrected as shown below:

On the Title Page

Item (30), Line 1, delete "00293687-003", add "002953687-0003"

Signed and Sealed this  
Second Day of October, 2018



Andrei Iancu  
*Director of the United States Patent and Trademark Office*