



US00D811583S

(12) **United States Design Patent** (10) **Patent No.:** **US D811,583 S**  
**Cabiri et al.** (45) **Date of Patent:** **\*\* Feb. 27, 2018**

(54) **INJECTOR DEVICE**

(71) Applicant: **MEDIMOP Medical Projects Ltd.,**  
Ra'anana (IL)

(72) Inventors: **Oz Cabiri**, Macabim-Reut (IL);  
**Reuven Y. Filman**, Netanya (IL); **Boris Degtjar**, Modiin (IL); **Ofer Zick**, Tikva (IL)

(73) Assignee: **MEDIMOP MEDICAL PROJECTS LTD.,** Ra'anana (IL)

(\*\*) Term: **15 Years**

(21) Appl. No.: **29/604,616**

(22) Filed: **May 18, 2017**

**Related U.S. Application Data**

(63) Continuation of application No. 13/667,739, filed on Nov. 2, 2012, and a continuation of application No. 13/472,112, filed on May 15, 2012, and a continuation of application No. 15/935,166, filed on Dec. 30, 2016, which is a continuation of application No. 13/892,905, filed on May 13, 2013, now Pat. No. 9,572,926, which is a continuation of application No. 13/272,555, filed on Oct. 13, 2011, now Pat. No. 8,465,455, which is a continuation of application No. 12/559,563, filed on Sep. 15, 2009, now Pat. No. 8,157,769, said application No. 29/604,616 is a continuation of application No. 15/132,740, filed on Apr. 19, 2016, now Pat. No. 9,764,092, which is a continuation of application No. 14/553,399, filed on Nov. 25, 2014, now Pat. No. 9,522,234, which is a continuation of application No. 14/257,661, filed on Apr. 22, 2014, now Pat. No. 9,149,575, which is a continuation of application No. 13/521,167, filed as  
(Continued)

(51) **LOC (11) Cl.** ..... **24-02**

(52) **U.S. Cl.**  
USPC ..... **D24/111; D24/113**

(58) **Field of Classification Search**

USPC ..... D24/107-108, 111-113, 169  
CPC ..... A61M 5/20; A61M 5/30; A61M 5/142;  
A61M 5/14248; A61M 5/14244; A61M  
2005/14252

See application file for complete search history.

(56) **References Cited**

**U.S. PATENT DOCUMENTS**

3,782,365 A 1/1974 Pinna  
4,026,128 A 5/1977 Blanco  
4,300,554 A 11/1981 Hessberg et al.  
(Continued)

**FOREIGN PATENT DOCUMENTS**

CN 1224341 A 7/1999  
CN 1408443 A 4/2003  
(Continued)

*Primary Examiner* — Barbara Fox

*Assistant Examiner* — Lilyana Bekic

(74) *Attorney, Agent, or Firm* — Panitch Schwarze  
Belisario & Nadel LLP

(57) **CLAIM**

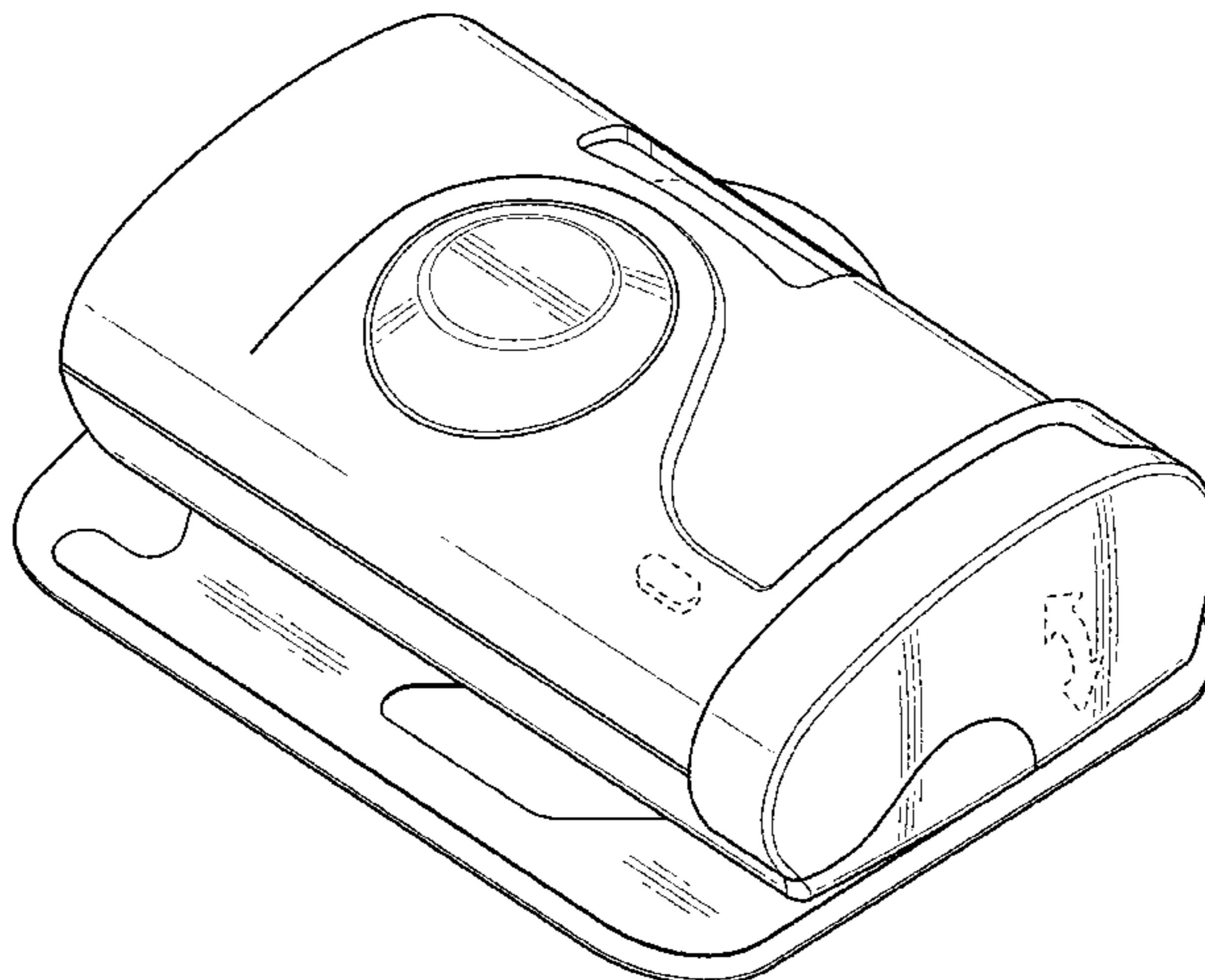
The ornamental design for an injector device, as shown and described.

**DESCRIPTION**

FIG. 1 is a front, right side isometric view of an injector device in accordance with our new design;  
FIG. 2 is a front elevational view thereof;  
FIG. 3 is a rear elevational view thereof;  
FIG. 4 is a left side elevational view thereof;  
FIG. 5 is a right side elevational view thereof;  
FIG. 6 is a top plan view thereof; and,  
FIG. 7 is a bottom plan view thereof.

The broken lines in the drawings depict portions of the injector device that form no part of the claimed design.

**1 Claim, 4 Drawing Sheets**



**Related U.S. Application Data**

application No. PCT/US2011/021604 on Jan. 19, 2011, now Pat. No. 8,915,882.

(56)

**References Cited**

**U.S. PATENT DOCUMENTS**

4,689,043 A 8/1987 Bisha  
 4,919,596 A 4/1990 Slate et al.  
 5,090,877 A 2/1992 D'Silva  
 5,348,544 A 9/1994 Sweeney et al.  
 5,364,364 A 11/1994 Kasvikis et al.  
 5,445,621 A 8/1995 Poli et al.  
 5,482,446 A 1/1996 Williamson et al.  
 5,496,274 A 3/1996 Graves et al.  
 5,505,709 A 4/1996 Funderburk et al.  
 D372,098 S \* 7/1996 Lattin ..... D24/189  
 5,562,686 A 10/1996 Sauer et al.  
 5,658,133 A 8/1997 Anderson et al.  
 5,672,160 A 9/1997 Osterlind et al.  
 D384,745 S \* 10/1997 Lattin ..... D24/189  
 5,779,676 A 7/1998 Kriesel et al.  
 5,814,020 A 9/1998 Gross  
 5,830,187 A 11/1998 Kriesel et al.  
 5,848,991 A 12/1998 Gross et al.  
 5,858,001 A 1/1999 Tsals et al.  
 5,868,710 A 2/1999 Battiato et al.  
 5,941,850 A 8/1999 Shah et al.  
 5,954,697 A 9/1999 Srisathapat et al.  
 6,149,614 A 11/2000 Dunshee et al.  
 6,345,968 B1 2/2002 Shupe  
 6,377,848 B1 4/2002 Garde et al.  
 6,423,036 B1 7/2002 Van Huizen  
 6,599,272 B1 7/2003 Hjertman et al.  
 6,632,201 B1 10/2003 Mathias et al.  
 6,972,002 B2 12/2005 Thorne  
 7,097,637 B2 8/2006 Triplett et al.  
 7,588,559 B2 9/2009 Aravena et al.  
 D602,155 S \* 10/2009 Foley ..... D24/113  
 D602,586 S \* 10/2009 Foley ..... D24/113  
 7,704,229 B2 4/2010 Moberg et al.  
 7,749,194 B2 7/2010 Edwards et al.  
 7,806,868 B2 10/2010 De Polo et al.  
 7,967,795 B1 \* 6/2011 Cabiri ..... A61M 5/14566  
 604/154  
 8,152,779 B2 4/2012 Cabiri  
 8,157,769 B2 4/2012 Cabiri  
 8,348,898 B2 1/2013 Cabiri  
 D685,083 S \* 6/2013 Schneider ..... D24/108  
 8,465,455 B2 6/2013 Cabiri  
 D687,141 S \* 7/2013 Schneider ..... D24/108  
 D687,536 S \* 8/2013 Guarraia ..... D24/108  
 8,915,882 B2 12/2014 Cabiri  
 D723,157 S \* 2/2015 Clemente ..... D24/111  
 9,072,827 B2 7/2015 Cabiri  
 9,149,575 B2 10/2015 Cabiri  
 9,393,365 B2 7/2016 Cabiri  
 D768,288 S \* 10/2016 O'Connor ..... D24/111  
 9,492,610 B2 11/2016 Cabiri  
 9,511,190 B2 12/2016 Cabiri  
 9,522,234 B2 12/2016 Cabiri  
 9,707,335 B2 \* 7/2017 Agard ..... A61M 5/14216  
 9,737,655 B2 \* 8/2017 Clemente ..... A61M 5/14224  
 2002/0055711 A1 5/2002 Lavi et al.  
 2002/0065488 A1 5/2002 Suzuki et al.  
 2002/0161332 A1 10/2002 Ramey  
 2003/0109827 A1 6/2003 Lavi et al.  
 2003/0135159 A1 7/2003 Daily et al.  
 2003/0199827 A1 10/2003 Thorne  
 2004/0010207 A1 1/2004 Flaherty et al.  
 2004/0015131 A1 1/2004 Flaherty et al.  
 2004/0064088 A1 4/2004 Gorman et al.  
 2004/0116866 A1 6/2004 Gorman et al.  
 2004/0158172 A1 8/2004 Hancock  
 2004/0186424 A1 9/2004 Hjertman  
 2005/0049553 A1 3/2005 Triplett et al.  
 2005/0113761 A1 5/2005 Faust et al.

2005/0159706 A1 7/2005 Wilkinson et al.  
 2005/0203461 A1 9/2005 Flaherty et al.  
 2006/0173410 A1 8/2006 Moberg et al.  
 2006/0195029 A1 8/2006 Shults et al.  
 2007/0016381 A1 1/2007 Kamath et al.  
 2007/0106218 A1 5/2007 Yodfat et al.  
 2007/0123819 A1 5/2007 Mernoe et al.  
 2007/0167912 A1 7/2007 Causey et al.  
 2007/0197968 A1 8/2007 Pongpaichana et al.  
 2008/0033393 A1 2/2008 Edwards et al.  
 2008/0097381 A1 4/2008 Moberg et al.  
 2008/0195049 A1 8/2008 Thalmann et al.  
 2008/0208138 A1 8/2008 Lim et al.  
 2008/0215015 A1 9/2008 Cindrich et al.  
 2008/0234627 A1 \* 9/2008 Dent ..... A61M 5/14248  
 604/20  
 2008/0249473 A1 10/2008 Rutti et al.  
 2008/0269687 A1 10/2008 Chong et al.  
 2008/0275407 A1 11/2008 Scheurer  
 2008/0281270 A1 \* 11/2008 Cross ..... A61M 5/1413  
 604/122  
 2009/0043253 A1 2/2009 Podaima  
 2009/0054852 A1 2/2009 Takano et al.  
 2009/0062767 A1 3/2009 Van Antwerp et al.  
 2009/0076360 A1 3/2009 Brister et al.  
 2009/0093792 A1 4/2009 Gross et al.  
 2009/0093793 A1 4/2009 Gross et al.  
 2009/0105650 A1 4/2009 Wiegel et al.  
 2009/0139724 A1 6/2009 Gray et al.  
 2009/0143735 A1 6/2009 De Polo et al.  
 2009/0209896 A1 8/2009 Selevan  
 2009/0216103 A1 8/2009 Brister et al.  
 2010/0049128 A1 2/2010 McKenzie et al.  
 2010/0081993 A1 4/2010 O'Connor  
 2010/0137831 A1 6/2010 Tsals  
 2010/0152658 A1 6/2010 Hanson et al.  
 2010/0162548 A1 7/2010 Leidig  
 2010/0168683 A1 \* 7/2010 Cabiri ..... A61M 5/14248  
 604/263  
 2010/0211011 A1 8/2010 Haar  
 2010/0234805 A1 9/2010 Kaufmann et al.  
 2010/0274202 A1 10/2010 Hyde et al.  
 2011/0066131 A1 3/2011 Cabiri  
 2011/0125056 A1 5/2011 Merchant  
 2011/0144584 A1 6/2011 Wozencroft  
 2011/0160655 A1 6/2011 Hanson et al.  
 2012/0022344 A1 1/2012 Kube  
 2012/0059332 A1 3/2012 Woehr et al.  
 2012/0071819 A1 3/2012 Bruggemann et al.  
 2013/0060233 A1 \* 3/2013 O'Connor ..... A61M 5/158  
 604/506  
 2013/0110049 A1 5/2013 Cronenberg et al.  
 2013/0296792 A1 11/2013 Cabiri  
 2013/0310753 A1 11/2013 Cabiri  
 2014/0128815 A1 5/2014 Cabiri et al.  
 2014/0188073 A1 7/2014 Cabiri et al.  
 2014/0194854 A1 7/2014 Tsals  
 2015/0057613 A1 \* 2/2015 Clemente ..... A61M 5/14566  
 604/148  
 2016/0058941 A1 \* 3/2016 Wu ..... A61M 5/145  
 604/136  
 2016/0228644 A1 8/2016 Cabiri  
 2016/0256352 A1 \* 9/2016 Bar-El ..... A61J 1/1406  
 2017/0106138 A1 \* 4/2017 Cabiri ..... A61M 5/1456  
 2017/0224915 A1 \* 8/2017 Destefano ..... A61M 5/158

**FOREIGN PATENT DOCUMENTS**

CN 1636605 A 7/2005  
 CN 1747683 A 3/2006  
 CN 1863566 A 11/2006  
 CN 1929884 A 3/2007  
 CN 101001661 A 7/2007  
 CN 101090749 A 12/2007  
 CN 101239205 A 8/2008  
 CN 101460207 A 6/2009  
 CN 101687083 A 3/2010  
 CN 101970033 A 2/2011

(56)

**References Cited**

## FOREIGN PATENT DOCUMENTS

CN	201941304	U	8/2011
CN	102186733	A	9/2011
CN	102256657	A	11/2011
DE	1064693	B	9/1959
JP	2004-501721	A	1/2004
JP	2005-270629	A	10/2005
JP	2008-220961	A	9/2008
WO	9513838	A1	5/1995
WO	9609083	A1	3/1996
WO	9959665	A1	11/1999
WO	0189607	A2	11/2001
WO	0202165	A2	1/2002
WO	2004032990	A2	4/2004
WO	2005018703	A2	3/2005
WO	2007056504	A1	5/2007
WO	2008076459	A1	6/2008
WO	2008078318	A2	7/2008
WO	2009044401	A2	4/2009
WO	2009046989	A2	4/2009
WO	2009125398	A2	10/2009
WO	2010078227	A1	7/2010
WO	2011/034799	A1	3/2011
WO	2011075105	A1	6/2011
WO	2011090955	A1	7/2011
WO	2011156373	A1	12/2011
WO	2012032411	A2	3/2012
WO	2012160157	A1	11/2012
WO	2013148435	A1	10/2013
WO	2013/173092	A1	11/2013
WO	2014/070453	A1	5/2014
WO	2014/107408	A1	7/2014

\* cited by examiner

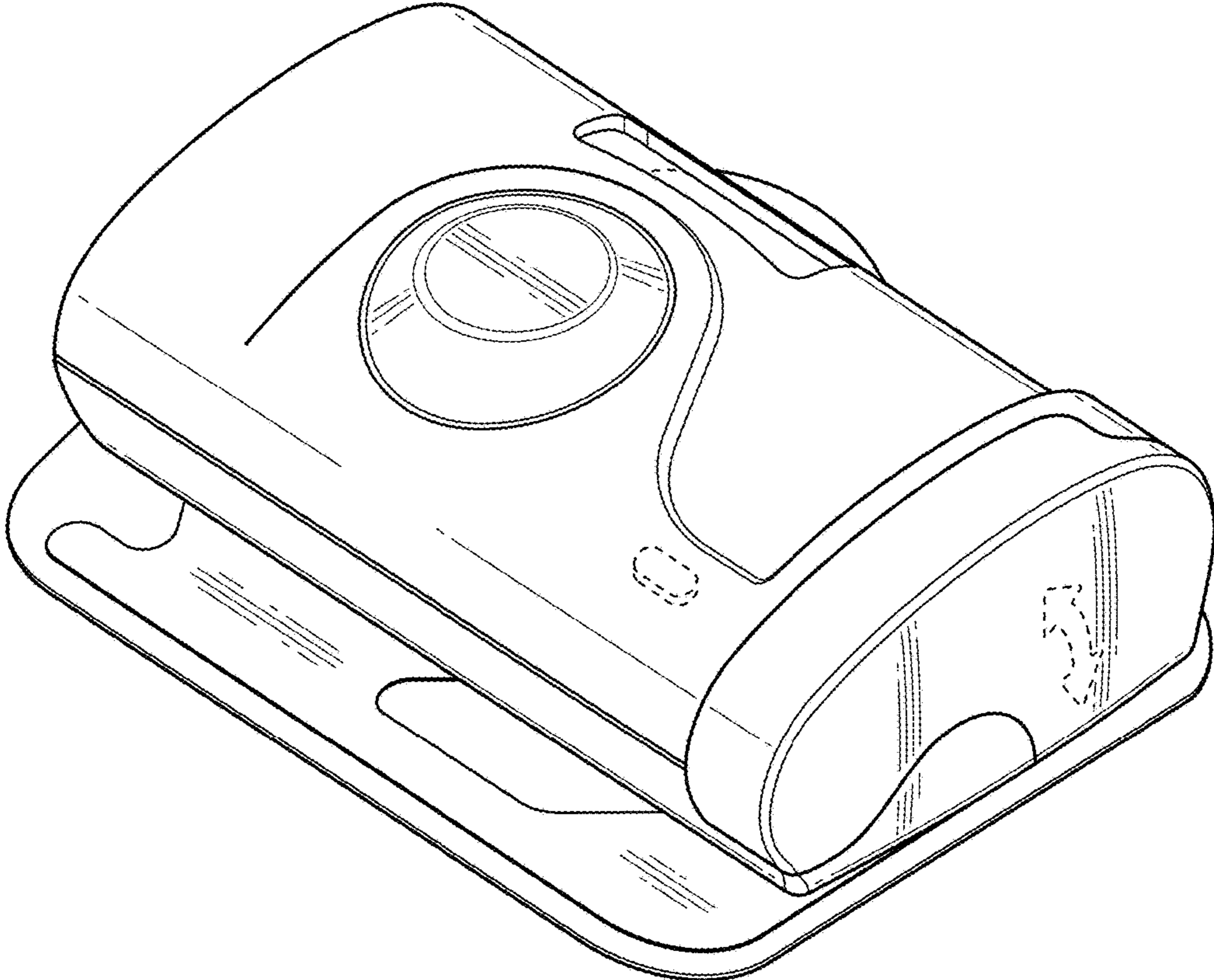


FIG. 1

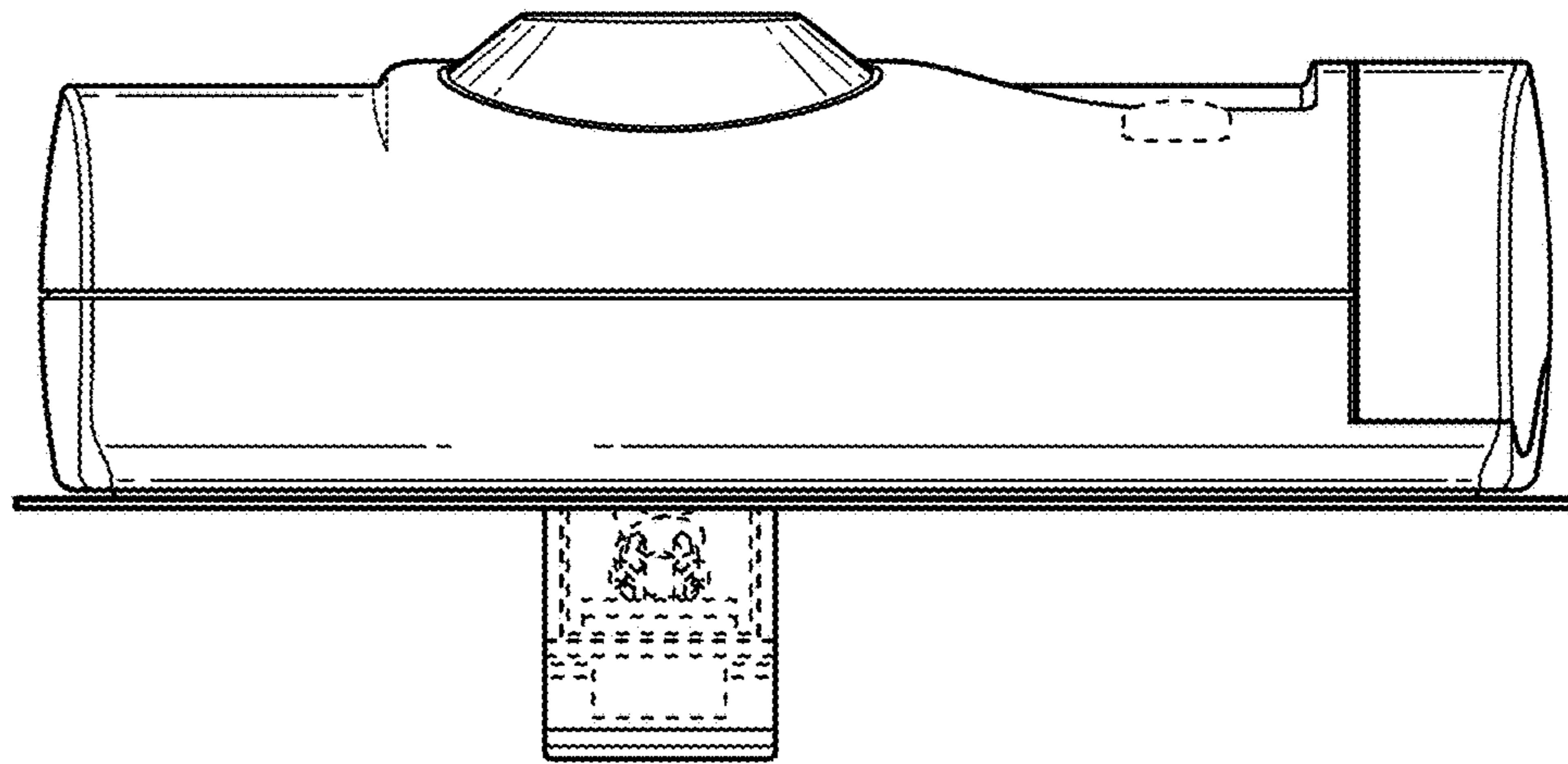


FIG. 2

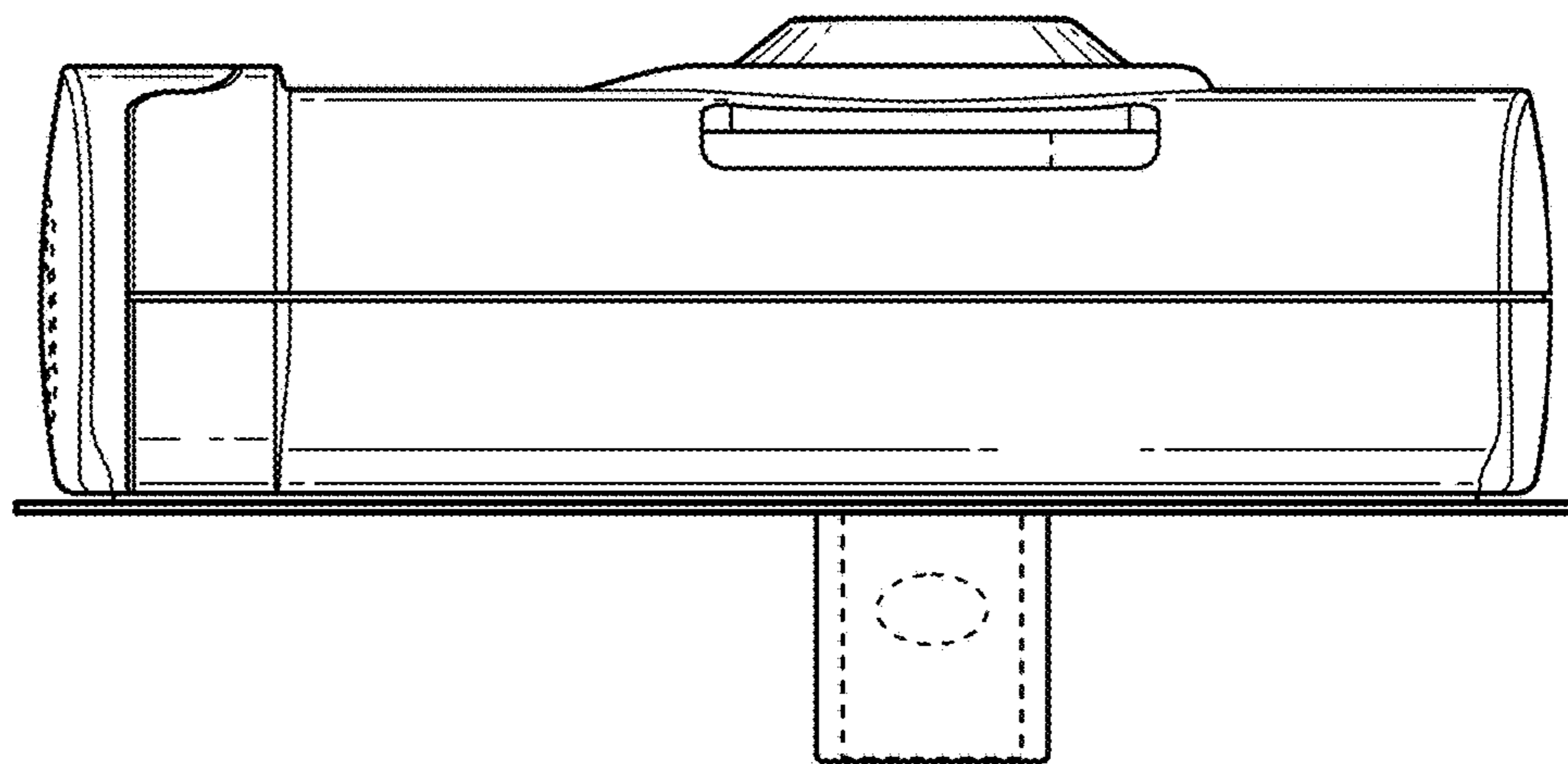


FIG. 3

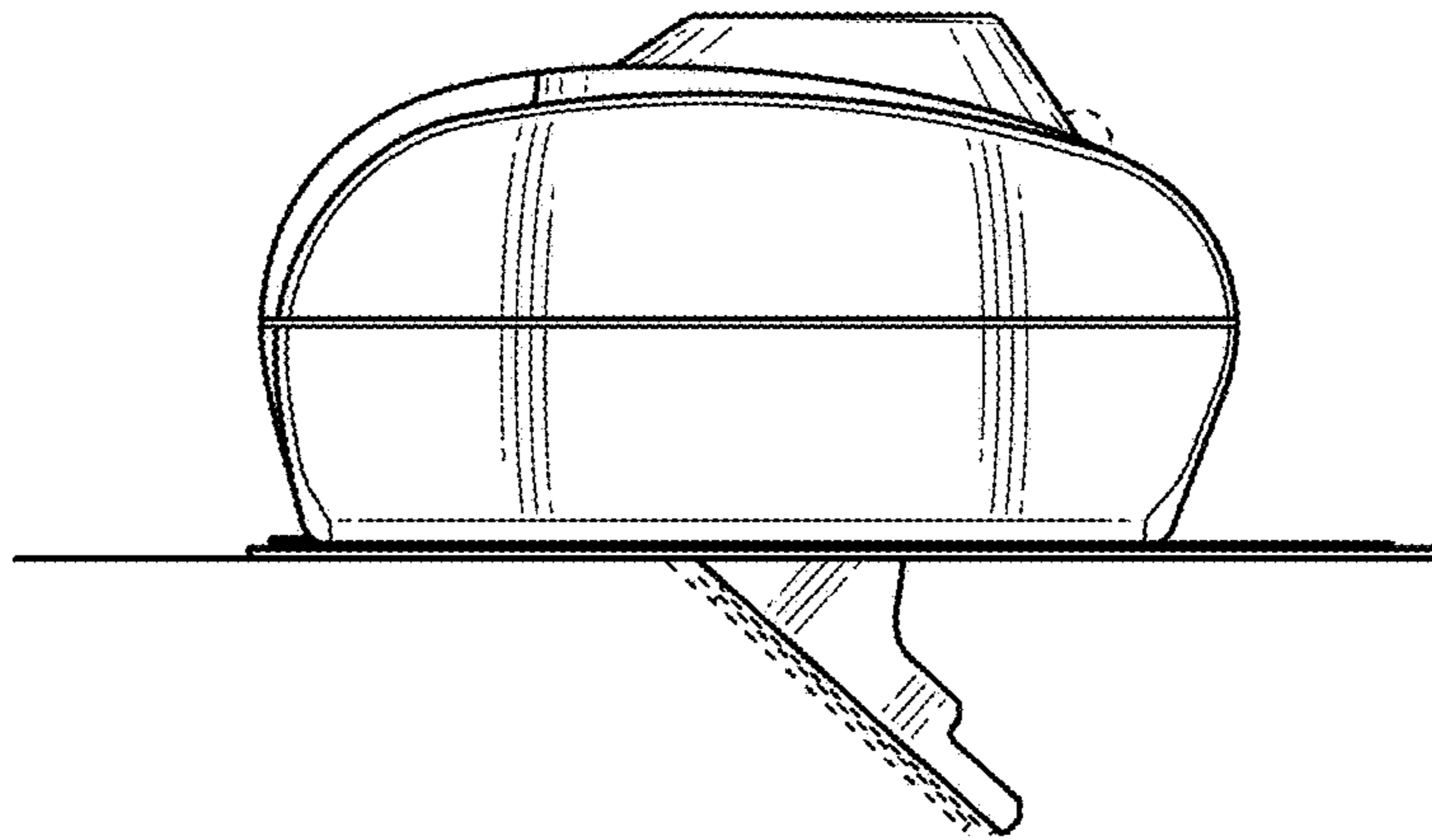


FIG. 4

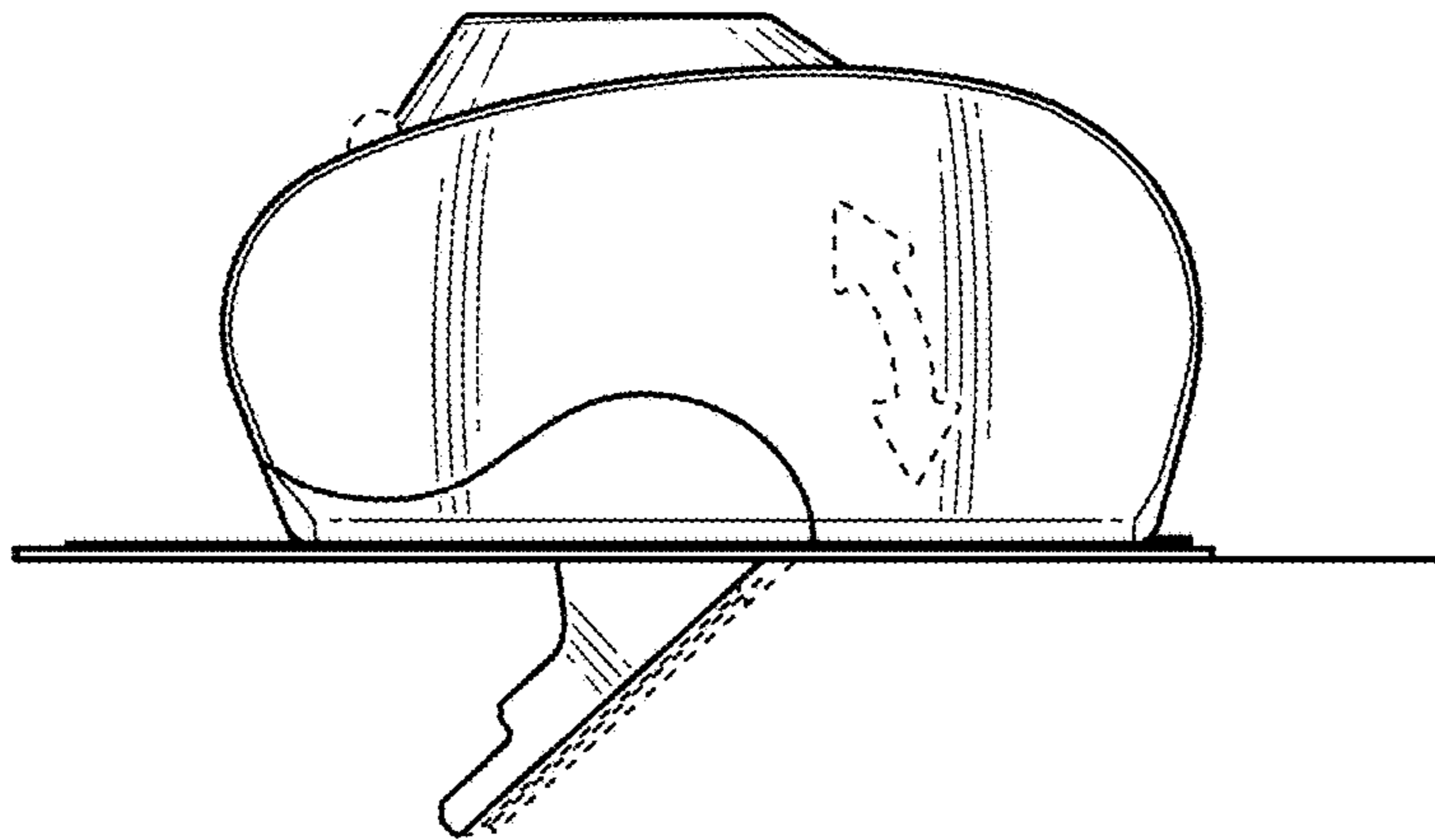


FIG. 5

