



US00D811580S

(12) **United States Design Patent**  
**Tang et al.**

(10) **Patent No.:** **US D811,580 S**  
(45) **Date of Patent:** **\*\* Feb. 27, 2018**

(54) **UNIDIRECTIONAL VALVE FOR FACE MASK**

(71) Applicant: **INNOSPARKS PTE LTD**, Singapore (SG)

(72) Inventors: **Ee Ho Tang**, Singapore (SG); **Kwok Jiang Sak**, Singapore (SG); **Wei Liang Jerome Lee**, Singapore (SG)

(73) Assignee: **INNOSPARKS PTE LTD**, Singapore (SG)

(\*\*) Term: **14 Years**

(21) Appl. No.: **29/508,396**

(22) Filed: **Nov. 5, 2014**

(30) **Foreign Application Priority Data**

May 8, 2014 (SG) ..... D2014/574/G

(51) **LOC (11) Cl.** ..... **29-02**

(52) **U.S. Cl.**  
USPC ..... **D24/110.1; D24/110.6**

(58) **Field of Classification Search**  
USPC ..... D24/110.1-110.6, 127, 129  
CPC ..... A62B 18/10; A62B 18/02; A62B 18/025;  
A62B 9/02; A62B 23/02; A62B 23/025;  
A62B 7/10; A61M 16/06; A61M 16/105;  
A61M 16/20; A61M 16/22

See application file for complete search history.

(56) **References Cited**

**U.S. PATENT DOCUMENTS**

2,326,651 A \* 8/1943 Husted ..... F16K 15/148  
137/512.15  
D196,723 S \* 10/1963 Davis ..... D24/129  
3,474,783 A \* 10/1969 Ulmann ..... A62B 18/10  
128/206.15

D249,279 S \* 9/1978 Backlund ..... D23/233  
4,960,121 A \* 10/1990 Nelson ..... A62B 18/084  
128/206.24  
D378,610 S \* 3/1997 Reischel ..... D24/110.1  
D390,653 S \* 2/1998 Blasdell ..... D24/110.5  
D413,166 S \* 8/1999 Snow ..... D24/110.1  
D473,937 S \* 4/2003 Fecteau ..... D24/110.1  
2010/0307506 A1 \* 12/2010 Kielow ..... A62B 18/025  
128/207.12  
2012/0042878 A1 \* 2/2012 Woo ..... A62B 18/025  
128/206.15  
2013/0068232 A1 \* 3/2013 Rosert ..... A62B 18/10  
128/206.21  
2013/0319420 A1 \* 12/2013 Danford ..... A62B 18/10  
128/206.21  
2014/0076325 A1 \* 3/2014 Rosert ..... A62B 18/10  
128/206.15  
2016/0001104 A1 \* 1/2016 Lewin ..... A62B 9/02  
128/205.24

(Continued)

*Primary Examiner* — Barbara Fox  
*Assistant Examiner* — Lilyana Bekic  
(74) *Attorney, Agent, or Firm* — Cantor Colburn LLP

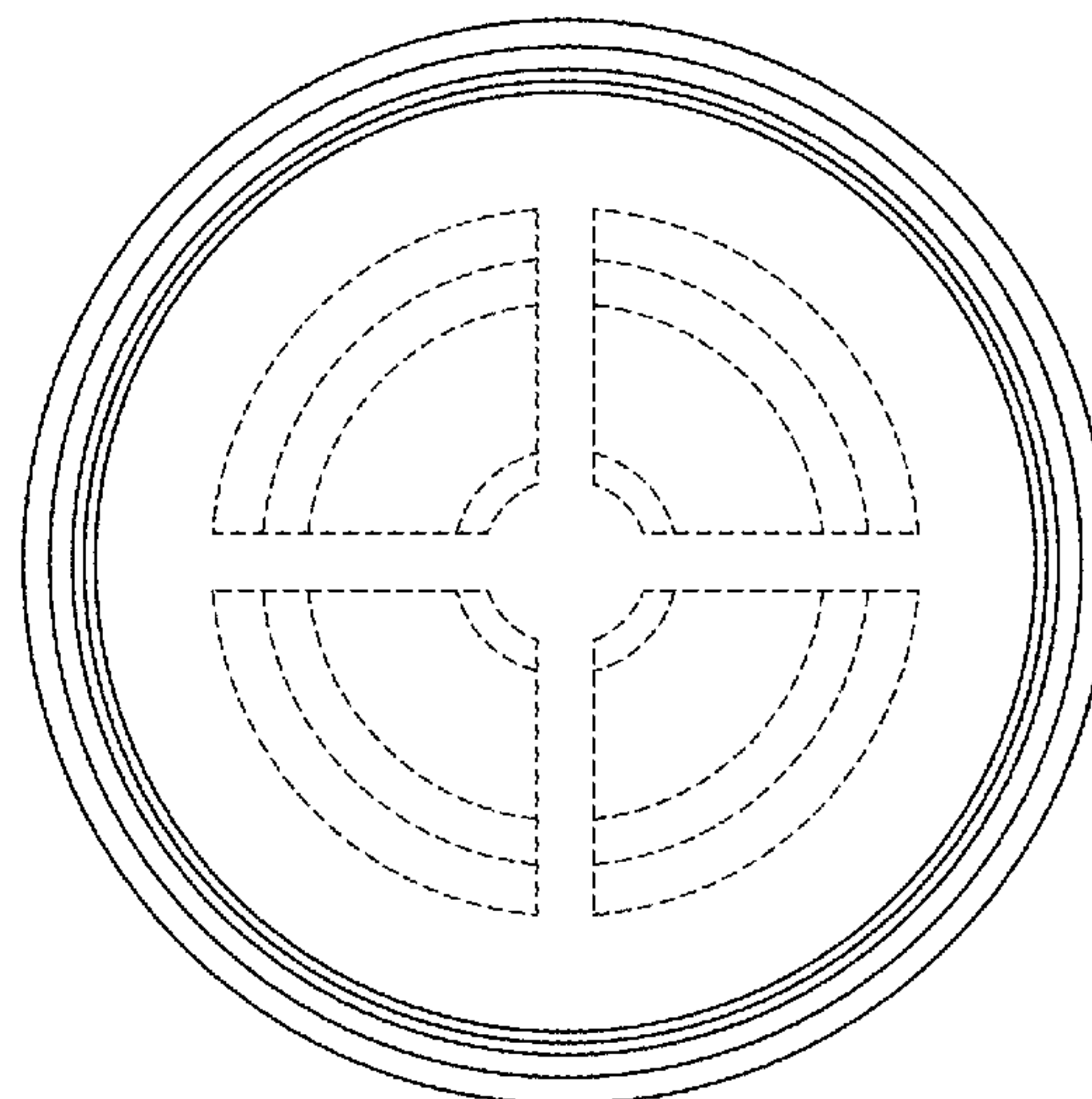
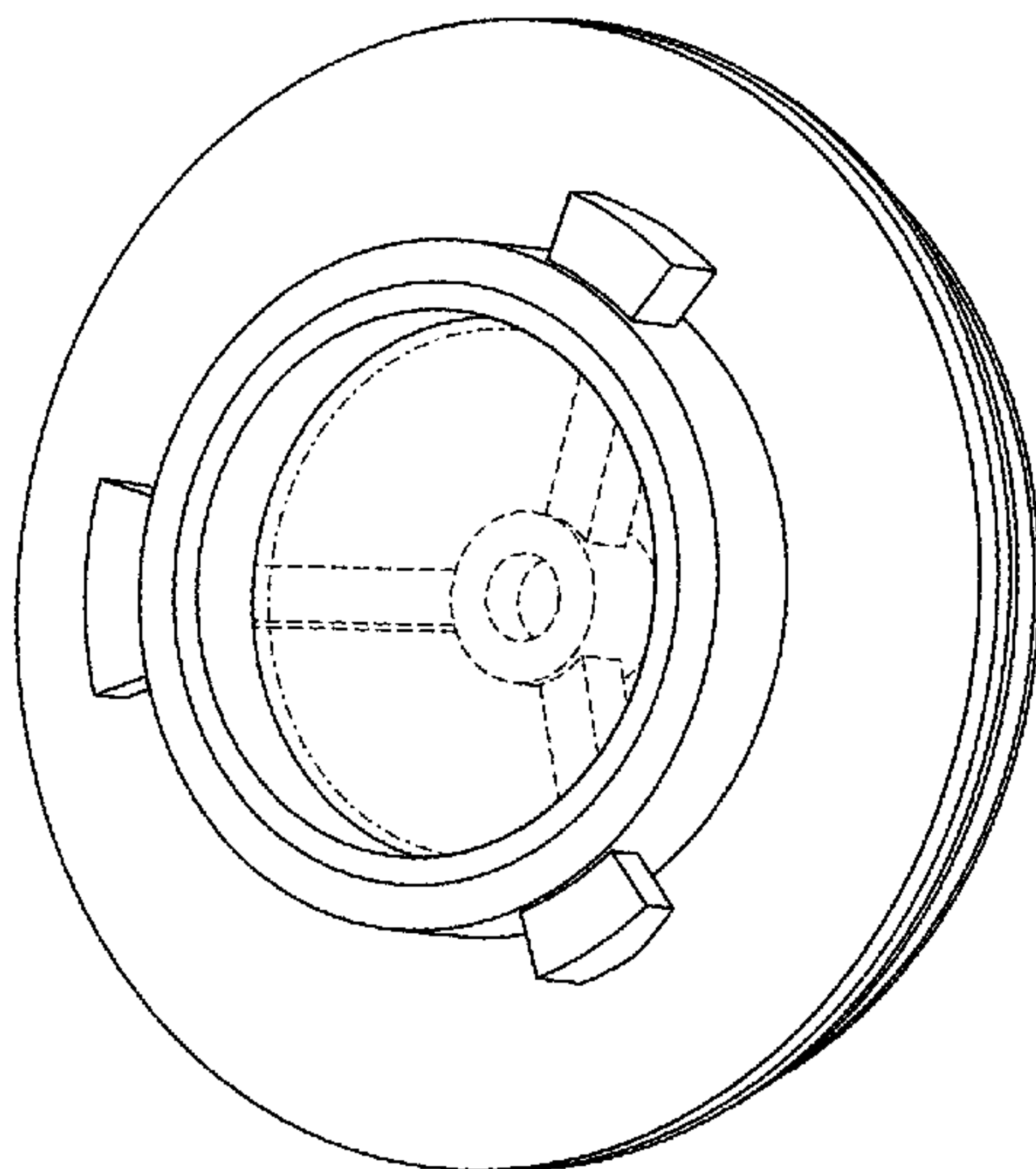
(57) **CLAIM**

We claim the ornamental design for a unidirectional valve for face mask, as shown and described.

**DESCRIPTION**

FIG. 1 is a perspective view of a unidirectional valve for face mask in accordance with the present design;  
FIG. 2 is a top view thereof;  
FIG. 3 is a bottom view thereof; and,  
FIG. 4 is a side view thereof.  
The dash-dot-dash broken lines in the figures represent the boundaries of the claim design and form no part thereof. The dash-dash broken lines in the figures are for the purpose of illustrating portions of the unidirectional valve for face mask and form no part of the claimed design.

**1 Claim, 4 Drawing Sheets**



(56)

**References Cited**

U.S. PATENT DOCUMENTS

2016/0074683 A1\* 3/2016 Bergeron ..... A62B 18/08  
128/201.19  
2016/0129287 A1\* 5/2016 Danford ..... A62B 23/025  
128/863  
2017/0080263 A1\* 3/2017 Chiu ..... A62B 23/025  
2017/0119991 A1\* 5/2017 Duveen ..... A61M 16/1045  
2017/0120084 A1\* 5/2017 Tang ..... A62B 18/006  
2017/0128754 A1\* 5/2017 Hou ..... A62B 23/025

\* cited by examiner

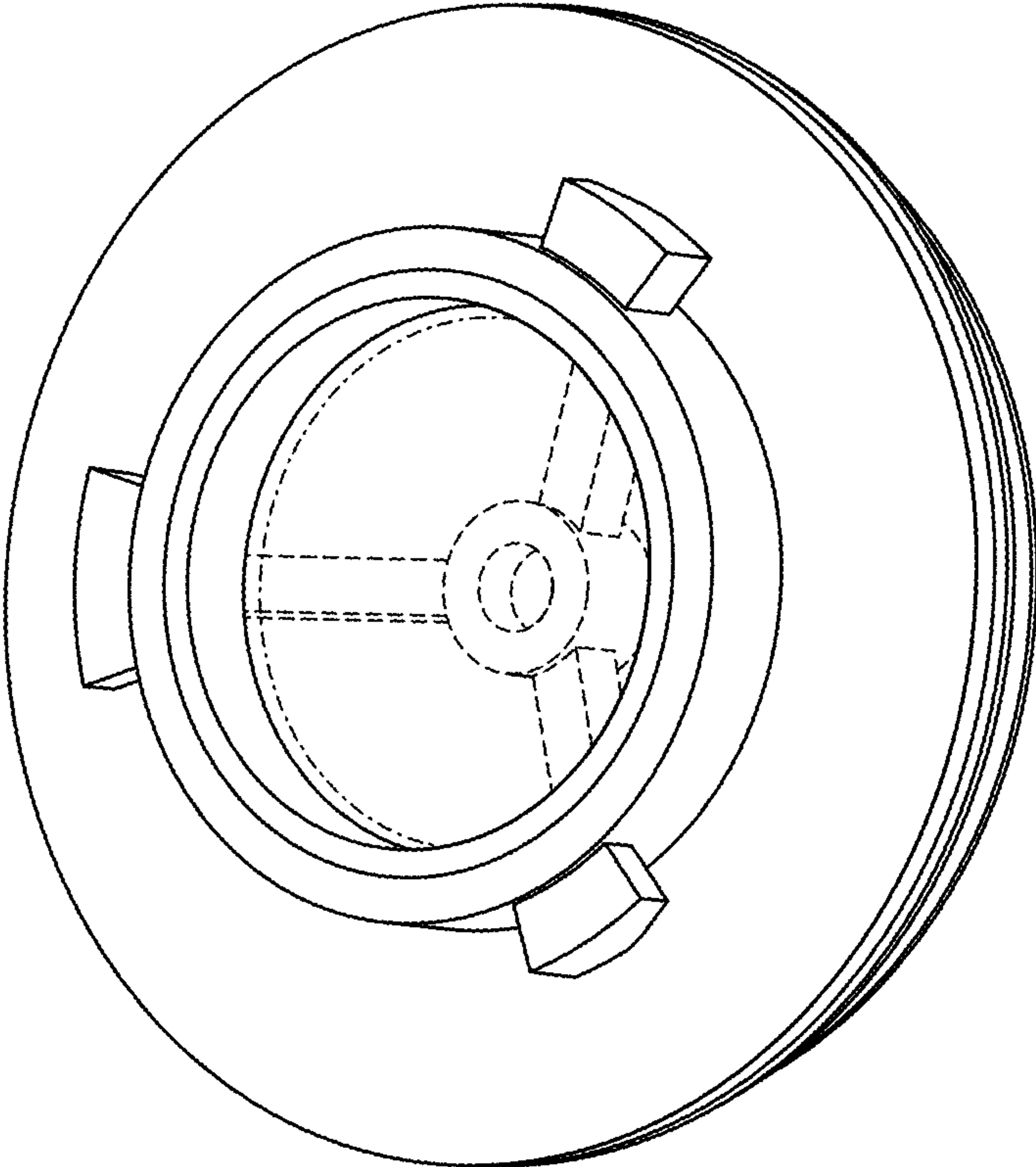


FIG. 1

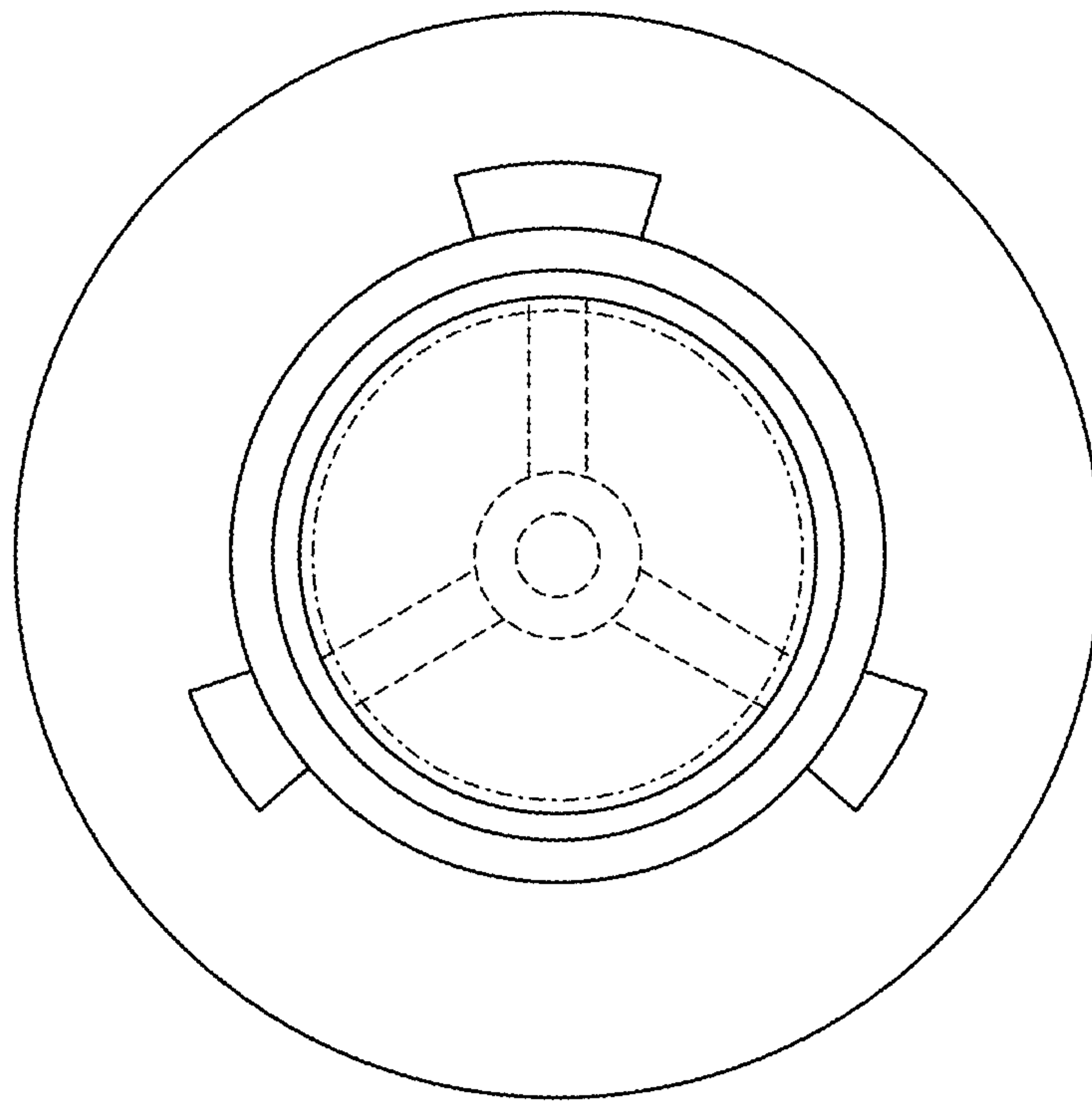


FIG. 2

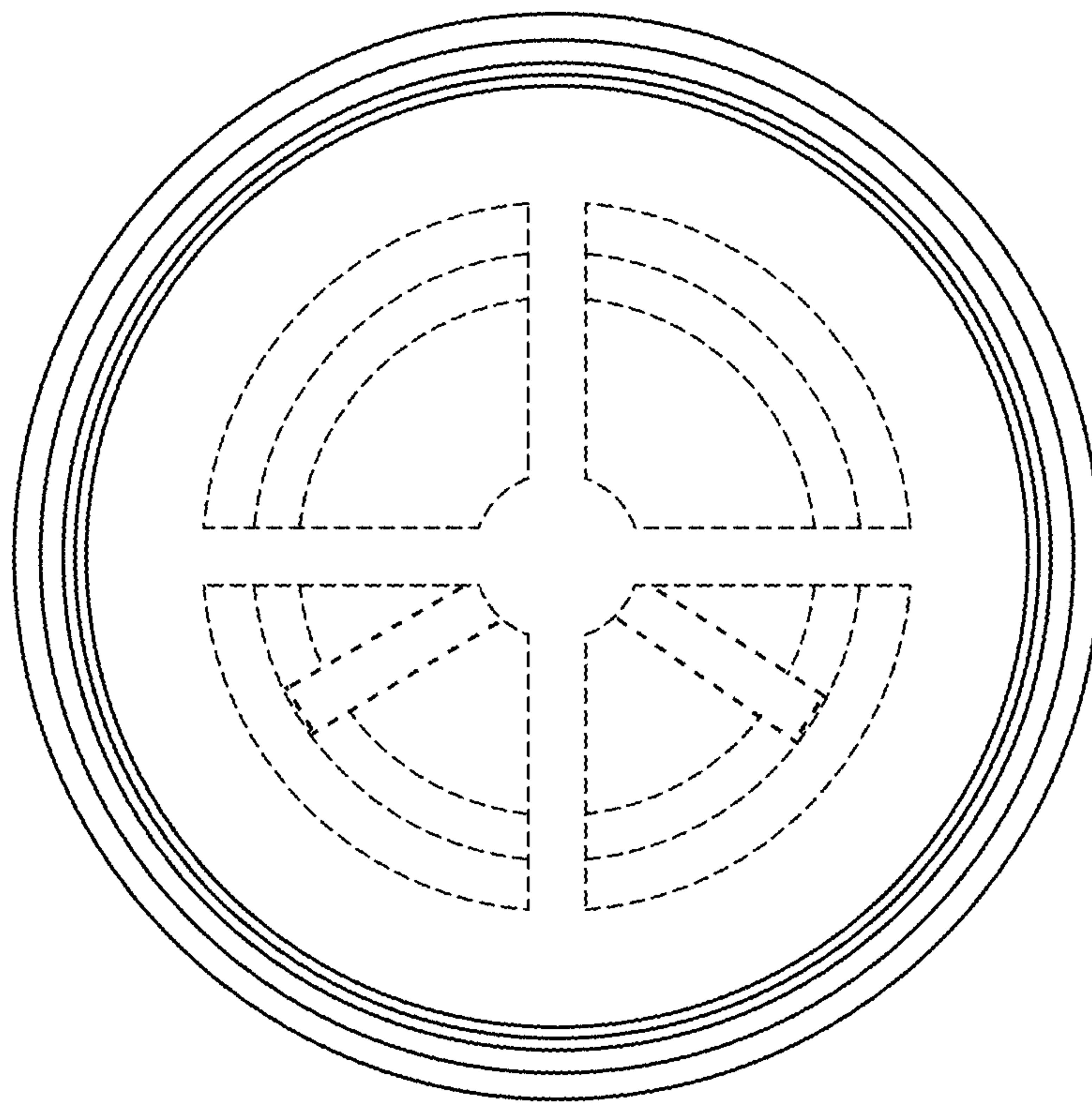


FIG. 3

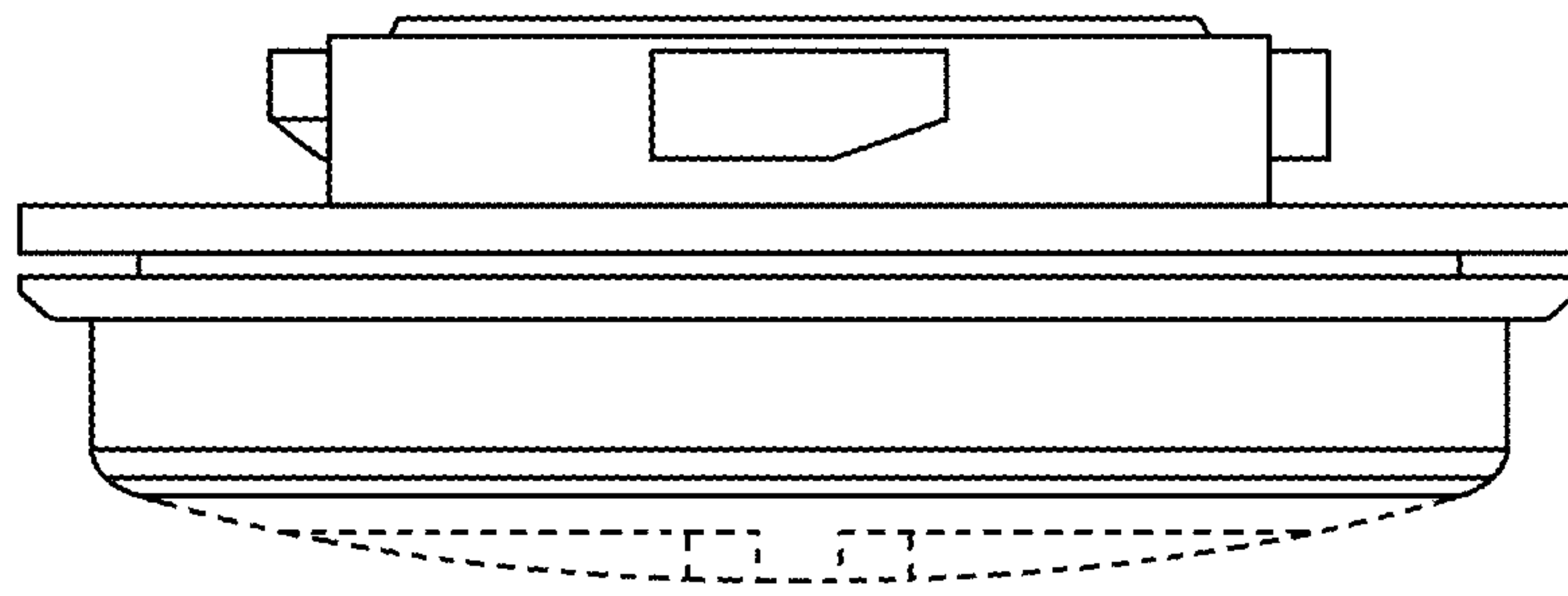


FIG. 4