



US00D811579S

(12) **United States Design Patent**
Chang et al.

(10) **Patent No.: US D811,579 S**

(45) **Date of Patent: ** Feb. 27, 2018**

(54) **FLEX CONDUIT FOR A BREAST PUMP**

(71) Applicant: **EXPLORAMED NC7, INC.**, Mountain View, CA (US)

(72) Inventors: **John Chang**, Los Altos, CA (US);
Brian Mason, Menlo Park, CA (US)

(73) Assignee: **ExploraMed NC7, Inc.**, Mountain View, CA (US)

(**) Term: **15 Years**

(21) Appl. No.: **29/554,305**

(22) Filed: **Feb. 10, 2016**

(51) **LOC (11) Cl.** **24-02**

(52) **U.S. Cl.**
USPC **D24/109**

(58) **Field of Classification Search**
USPC D24/108, 109, 127; 604/74-76
CPC A61M 1/06; A61M 1/062; A61M 1/064;
A61M 1/066; A61M 1/0037; A61M
1/0072; A61M 1/0049; A61M 1/0031
See application file for complete search history.

(56) **References Cited**

U.S. PATENT DOCUMENTS

- 7,824,363 B2* 11/2010 Myers A61M 1/06
604/73
- 2002/0193731 A1* 12/2002 Myers A61K 9/0078
604/58

- 2007/0219486 A1* 9/2007 Myers A61M 1/064
604/74
- 2014/0052056 A1* 2/2014 Garbez A61M 1/062
604/74
- 2014/0180205 A1* 6/2014 Lee A61M 1/0023
604/74
- 2016/0058928 A1* 3/2016 Nowroozi A61M 1/064
604/74
- 2016/0206794 A1* 7/2016 Makower A61M 1/06
- 2017/0080134 A1* 3/2017 Makower A61M 1/06
- 2017/0173232 A1* 6/2017 Chang A61M 1/06

* cited by examiner

Primary Examiner — Barbara Fox
Assistant Examiner — Lilyana Bekic

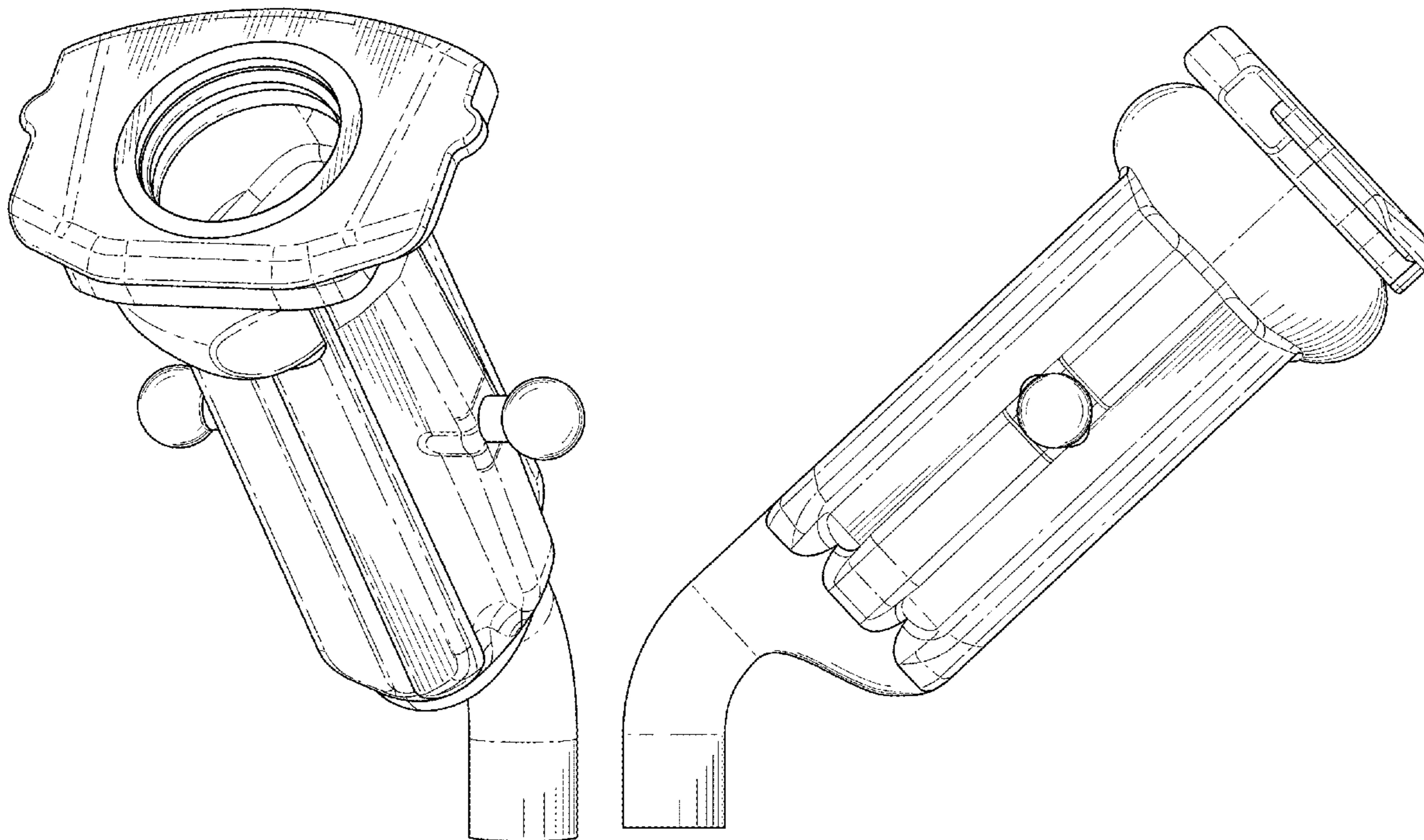
(57) **CLAIM**

The ornamental design for a flex conduit for a breast pump, as shown and described.

DESCRIPTION

FIG. 1 is a front perspective view of a flex conduit for a breast pump showing our new design; FIG. 2 is a front view thereof; FIG. 3 is a rear view thereof; FIG. 4 is a left side view thereof; FIG. 5 is a right side view thereof; FIG. 6 is a top view thereof; and, FIG. 7 is a bottom view thereof.

1 Claim, 6 Drawing Sheets



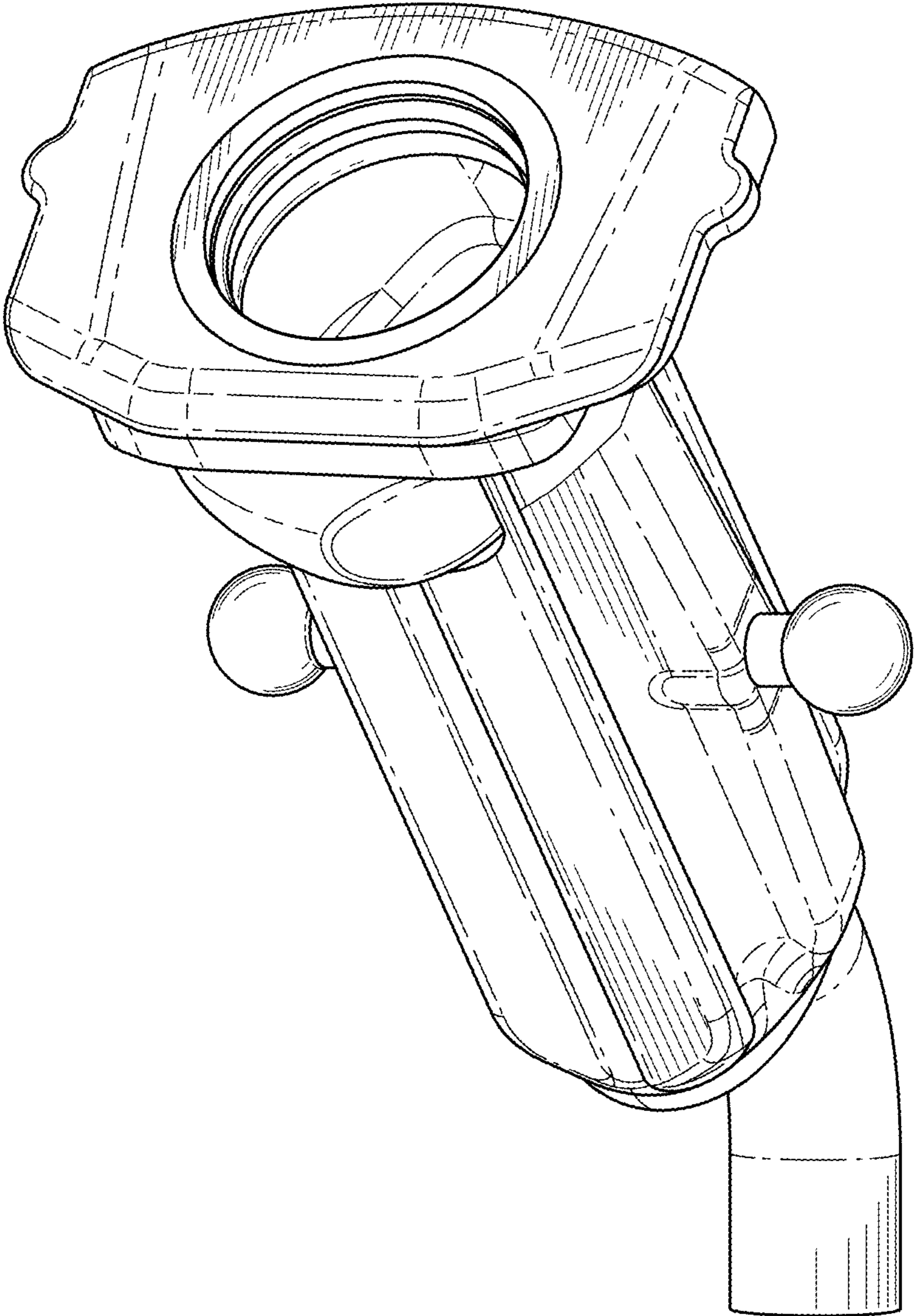


FIG. 1

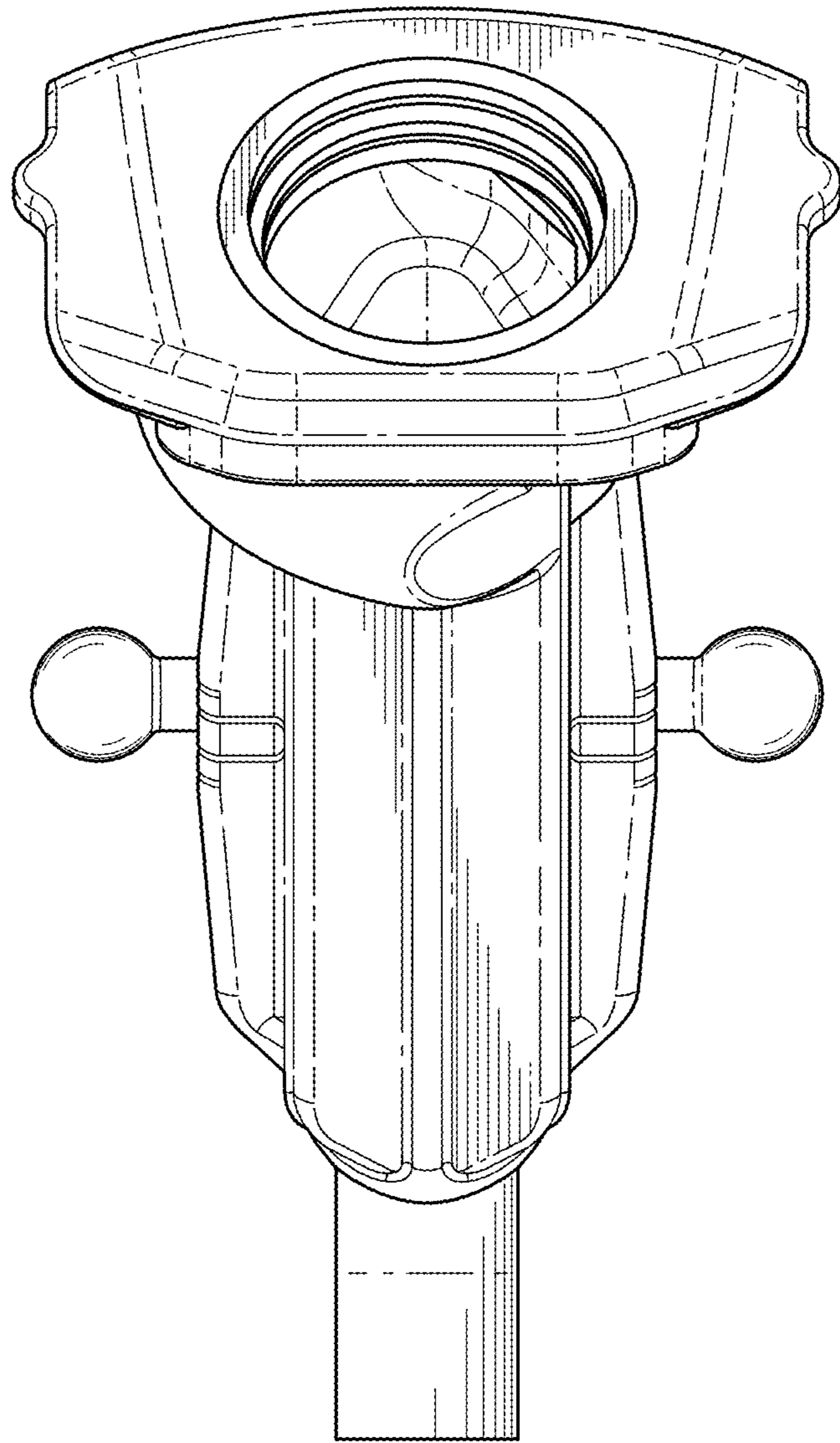


FIG. 2

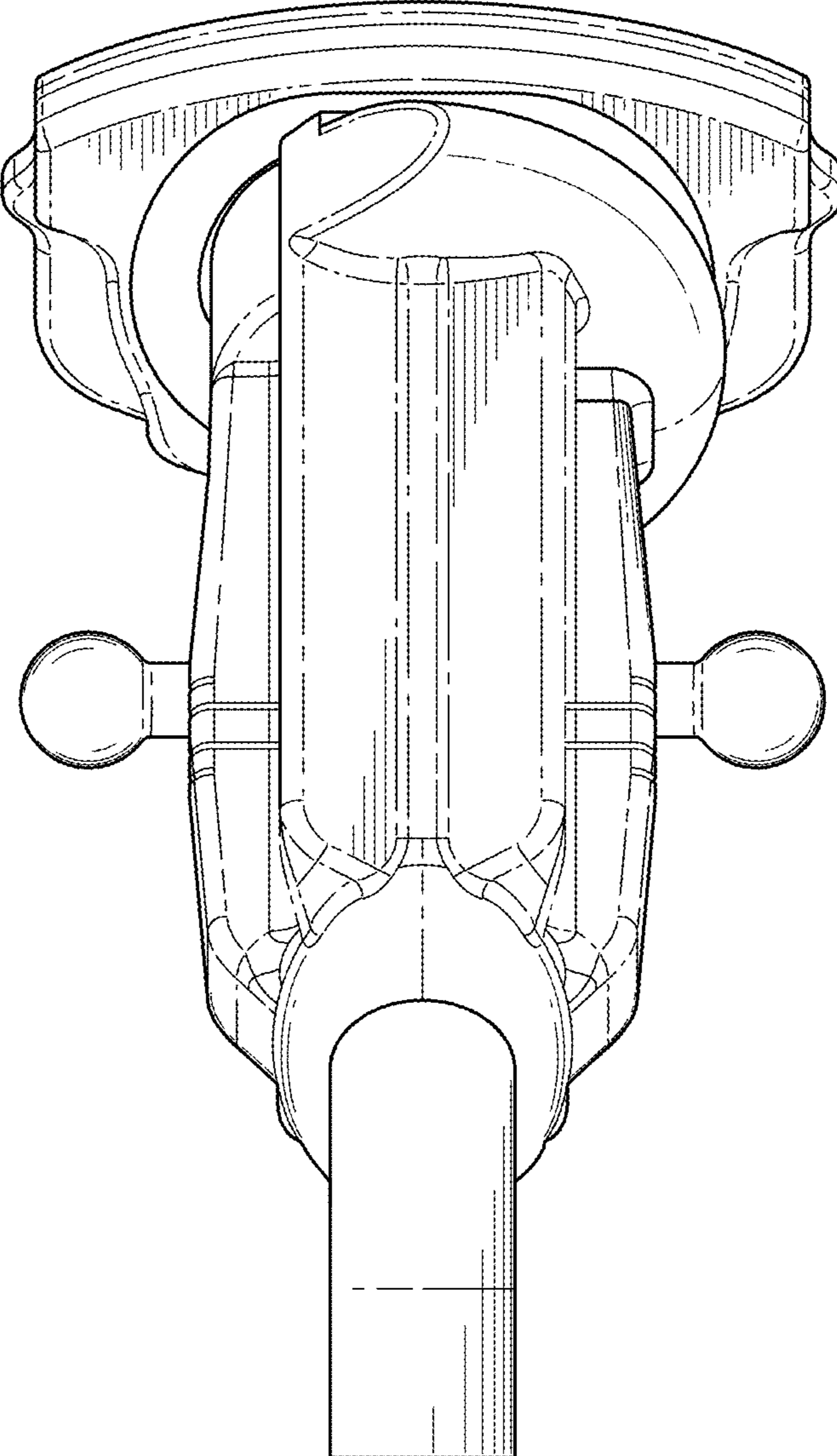


FIG. 3

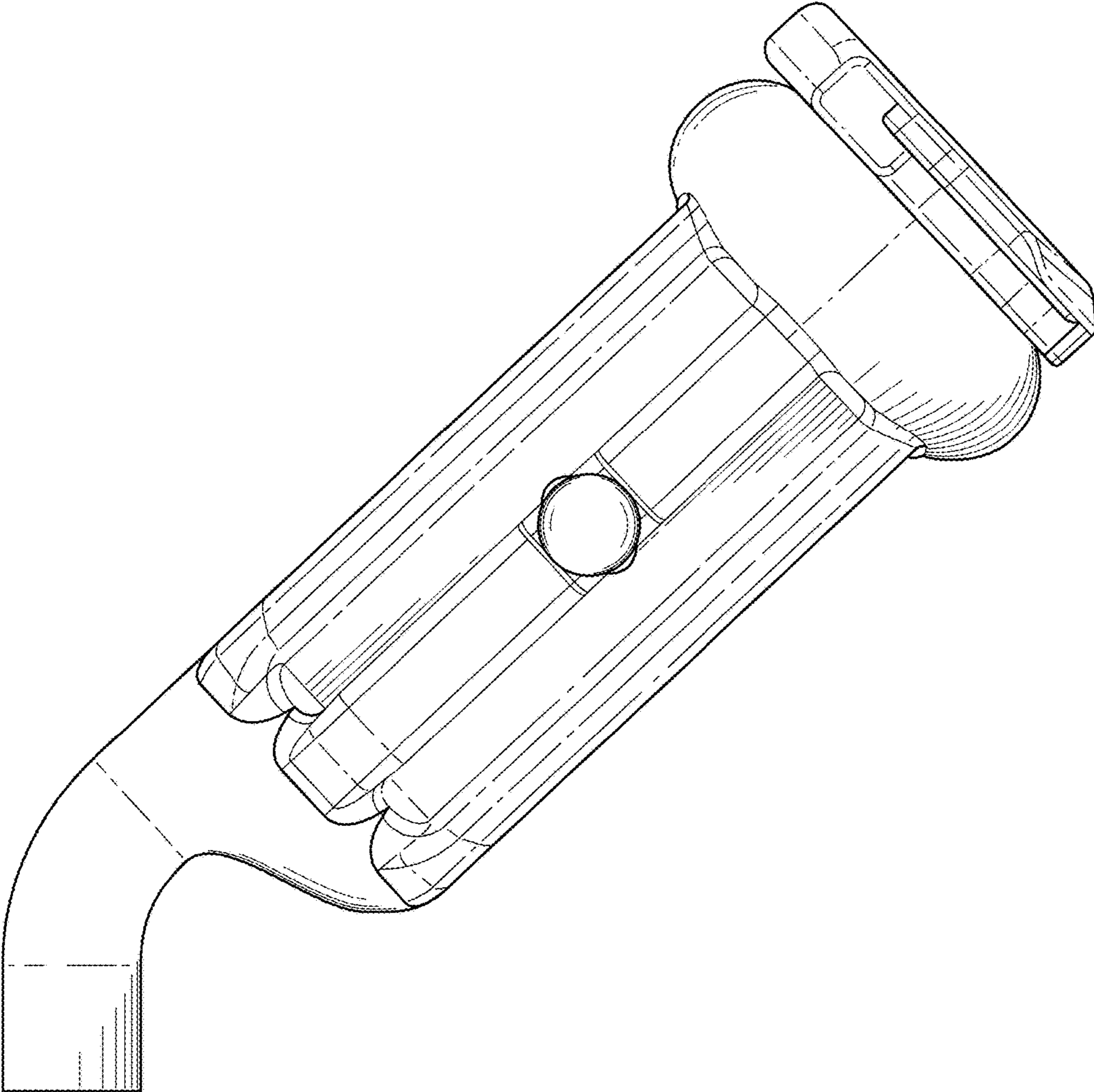


FIG. 4

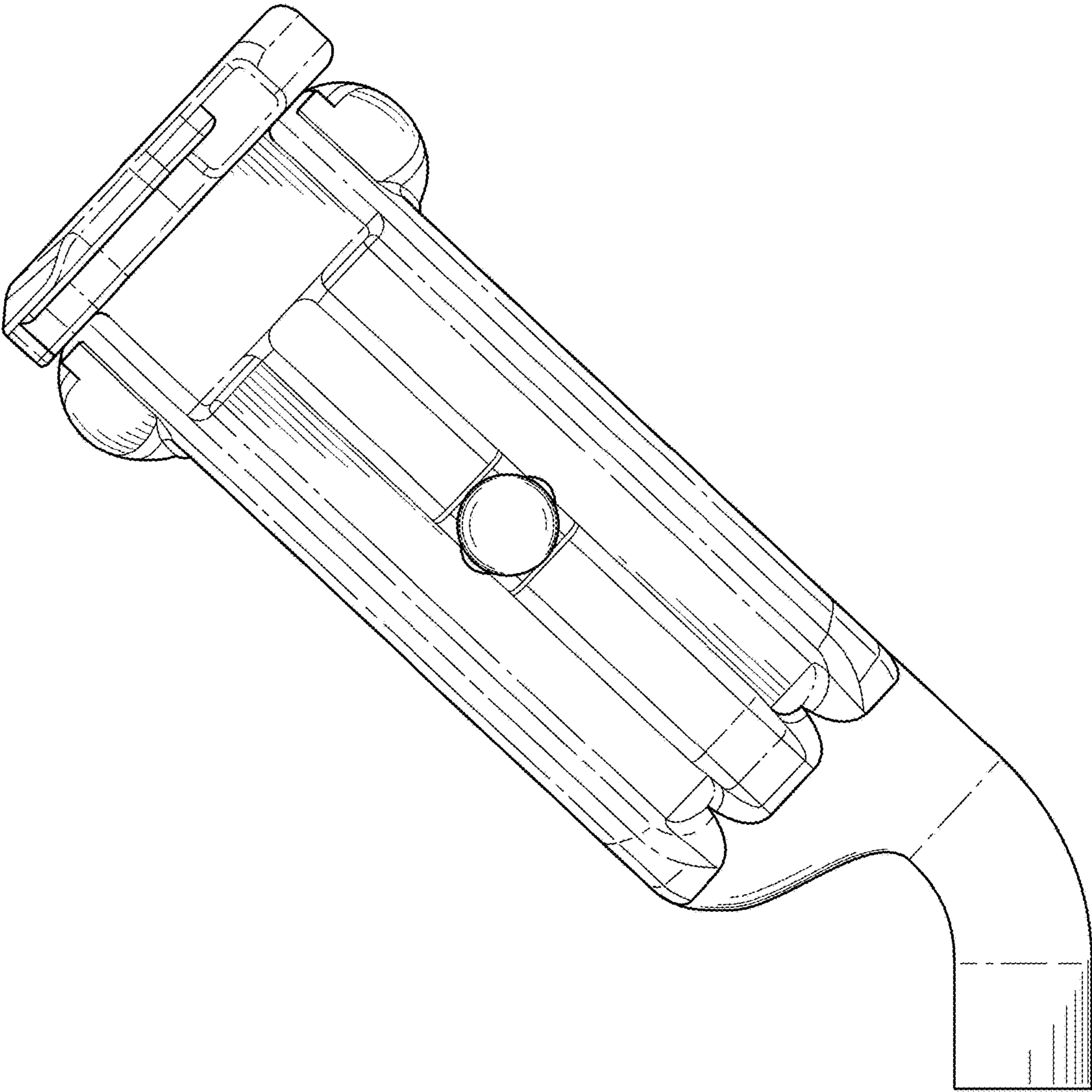


FIG. 5

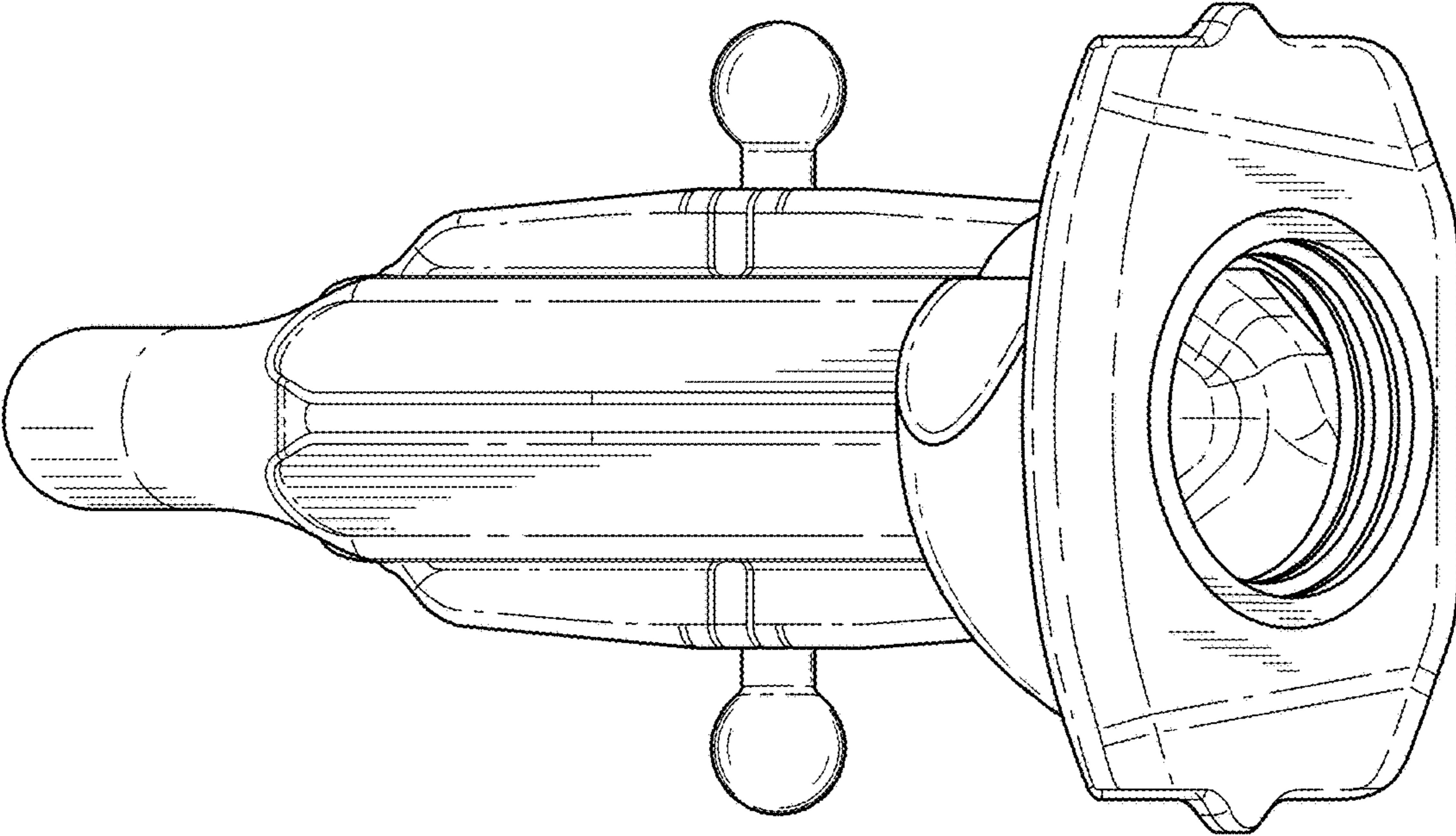


FIG. 6

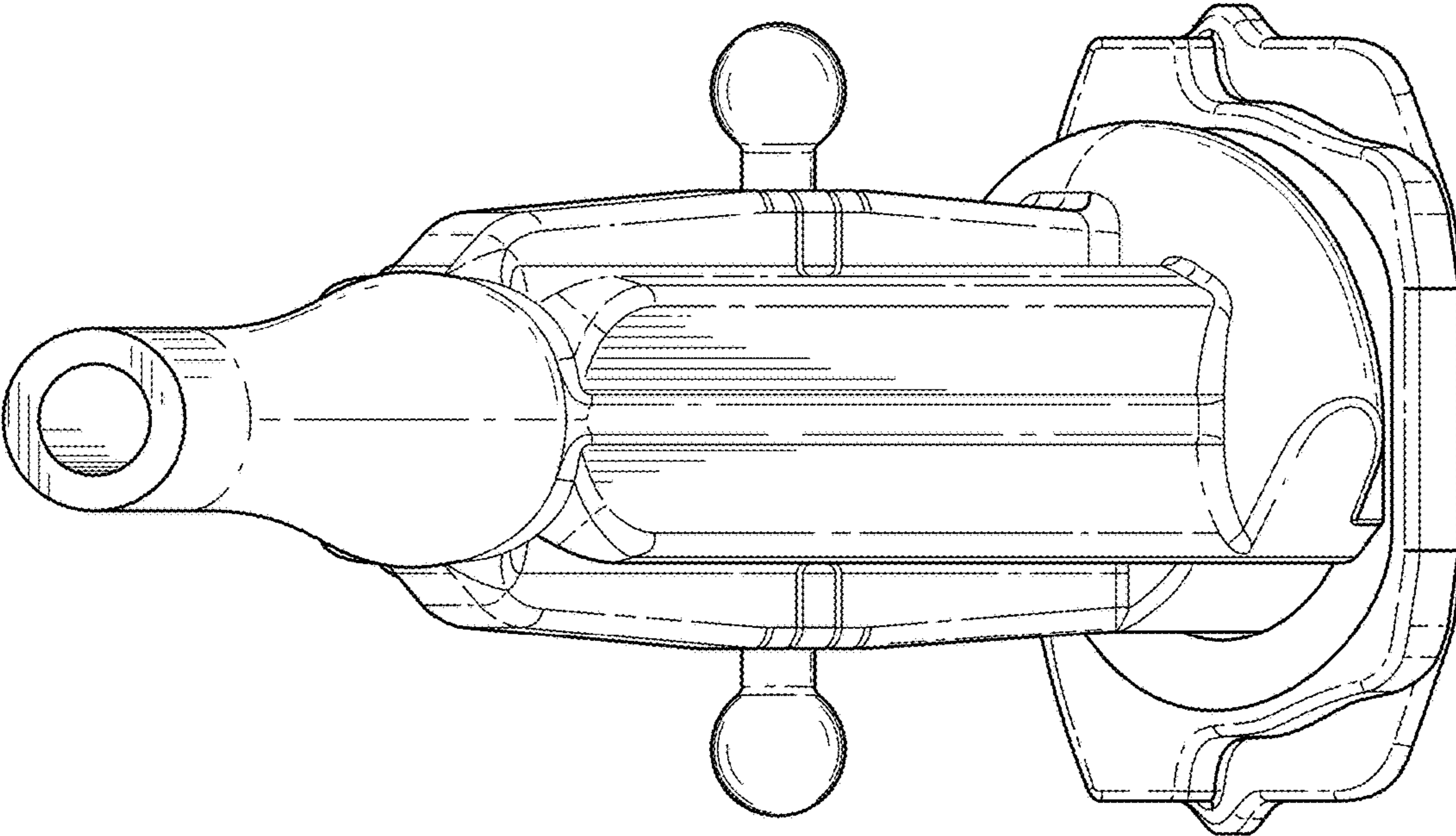


FIG. 7