

US00D811575S

(12) **United States Design Patent** (10) **Patent No.:** **US D811,575 S**  
**Fizer et al.** (45) **Date of Patent:** **\*\* Feb. 27, 2018**

(54) **UPRIGHT FAN**  
(71) Applicant: **DELTA T CORPORATION**,  
Lexington, KY (US)  
(72) Inventors: **Richard W. Fizer**, Lexington, KY  
(US); **Greg Peterson**, Nicholasville,  
KY (US)  
(73) Assignee: **DELTA T CORPORATION**,  
Lexington, KY (US)  
(\*\*) Term: **15 Years**  
(21) Appl. No.: **29/540,861**  
(22) Filed: **Sep. 29, 2015**  
(51) **LOC (11) Cl.** ..... **23-04**  
(52) **U.S. Cl.**  
USPC ..... **D23/382**  
(58) **Field of Classification Search**  
USPC ..... D23/382, 370, 378; D12/214  
CPC ..... F04D 25/105; F24F 1/025  
See application file for complete search history.

D681,186 S \* 4/2013 Pan ..... D23/370  
D685,459 S \* 7/2013 Pan ..... D23/370  
D691,256 S \* 10/2013 Pan ..... D23/370  
D733,861 S \* 7/2015 Haaf ..... D23/370  
D737,950 S \* 9/2015 He ..... D23/382  
D760,370 S \* 6/2016 Herbst ..... D23/370  
D779,647 S \* 2/2017 Burton ..... D23/370  
2012/0183390 A1 \* 7/2012 Pan ..... F04D 25/105  
415/170.1  
2016/0208807 A1 \* 7/2016 He ..... F04D 25/105

**FOREIGN PATENT DOCUMENTS**

WO 2009038988 A1 3/2009

**OTHER PUBLICATIONS**

Screenshots from [http://www.airkinglimited.com/airking/default.asp?action=read&art\\_id=470](http://www.airkinglimited.com/airking/default.asp?action=read&art_id=470), printed Jun. 26, 2009.

(Continued)

*Primary Examiner* — Cynthia Underwood  
(74) *Attorney, Agent, or Firm* — King & Schickli, PLLC

(57) **CLAIM**

The ornamental design for a upright fan, as shown and described.

**DESCRIPTION**

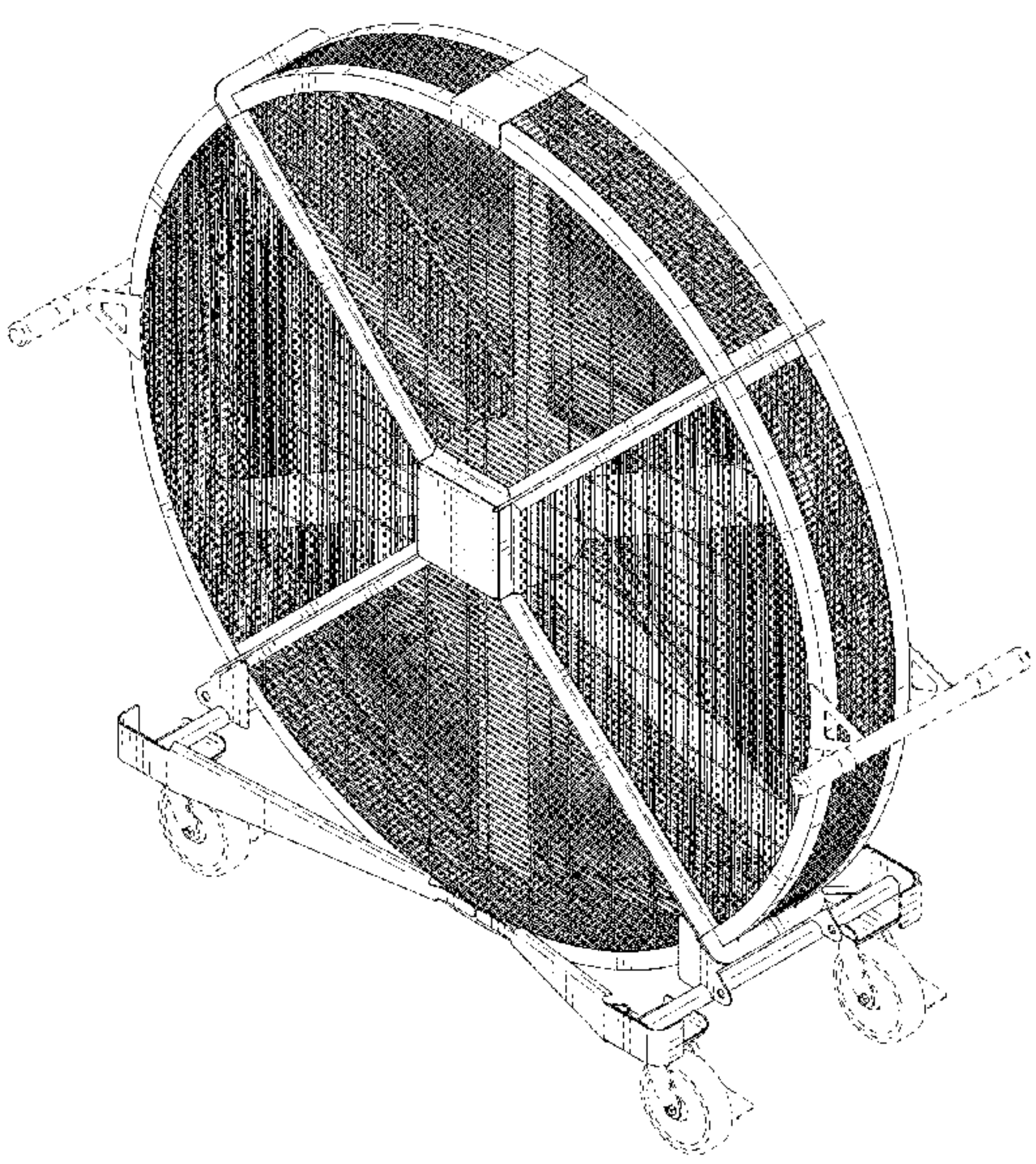
FIG. 1 is a top perspective view of the upright fan;  
FIG. 2 is a bottom perspective view of the upright fan;  
FIG. 3 is a front view of the upright fan;  
FIG. 4 is a left side view of the upright fan;  
FIG. 5 is a right side view of the upright fan;  
FIG. 6 is a rear view of the upright fan;  
FIG. 7 is a top view of the upright fan; and,  
FIG. 8 is a bottom view of the upright fan.  
The broken lines represent portions of the structure that forms no part of the claim.

**1 Claim, 6 Drawing Sheets**

(56) **References Cited**

**U.S. PATENT DOCUMENTS**

2,628,020 A 2/1953 Koch  
D169,007 S 3/1953 Lindberg et al.  
3,244,124 A 4/1966 Accarino et al.  
D291,352 S 8/1987 Kouno et al.  
5,203,826 A 4/1993 Dalebout  
D339,859 S 9/1993 Cheslock  
D388,869 S 1/1998 Wang  
D452,734 S \* 1/2002 Blateri ..... D23/370  
D484,586 S \* 12/2003 Intravatola ..... D23/370  
6,692,231 B1 2/2004 Calvert  
6,712,690 B1 3/2004 Wipf  
D520,132 S 5/2006 Jones  
7,507,074 B2 3/2009 Munshi et al.  
D650,893 S \* 12/2011 Fizer ..... D23/378



(56)

**References Cited**

## OTHER PUBLICATIONS

Screenshots from [http://www.airkinglimited.com/airking/admin/article\\_instructions/DrumFanIO.pdf](http://www.airkinglimited.com/airking/admin/article_instructions/DrumFanIO.pdf), printed Jun. 26, 2009.

Screenshots from [http://www.airkinglimited.com/airking/default.asp?action=read&art\\_id=460](http://www.airkinglimited.com/airking/default.asp?action=read&art_id=460), printed Jun. 26, 2009.

Screenshots from [http://www.airkinglimited.com/airking/admin/article\\_instructions/9219.pdf](http://www.airkinglimited.com/airking/admin/article_instructions/9219.pdf), printed 06/26/2009.

Screenshots from [http://www.airkinglimited.com/airking/admin/article\\_instructions/9224.pdf](http://www.airkinglimited.com/airking/admin/article_instructions/9224.pdf), printed Jun. 26, 2009.

Screenshots from [http://www.airkinglimited.com/airking/default.asp?action=read&art\\_id=459](http://www.airkinglimited.com/airking/default.asp?action=read&art_id=459), printed Jun. 26, 2009.

Screenshots from [http://www.airkinglimited.com/airking/admin/article\\_instructions/9314.pdf](http://www.airkinglimited.com/airking/admin/article_instructions/9314.pdf), printed Jun. 26, 2009.

Screenshots from [http://www.airkinglimited.com/airking/default.asp?action=read&art\\_id=458](http://www.airkinglimited.com/airking/default.asp?action=read&art_id=458), printed Jun. 26, 2009.

Screenshots from [http://www.airkinglimited.com/airking/default.asp?action=read&art\\_id=468](http://www.airkinglimited.com/airking/default.asp?action=read&art_id=468), printed Jun. 26, 2009.

Delta T Corporation, Photographs of “C8” Fan (photographs unpublished—though the “C8” Fan itself was on sale and/or publicly disclosed before Jun. 9, 2009).

Delta T Corporation, “Installation Manual,” dated May 2, 2007.

\* cited by examiner



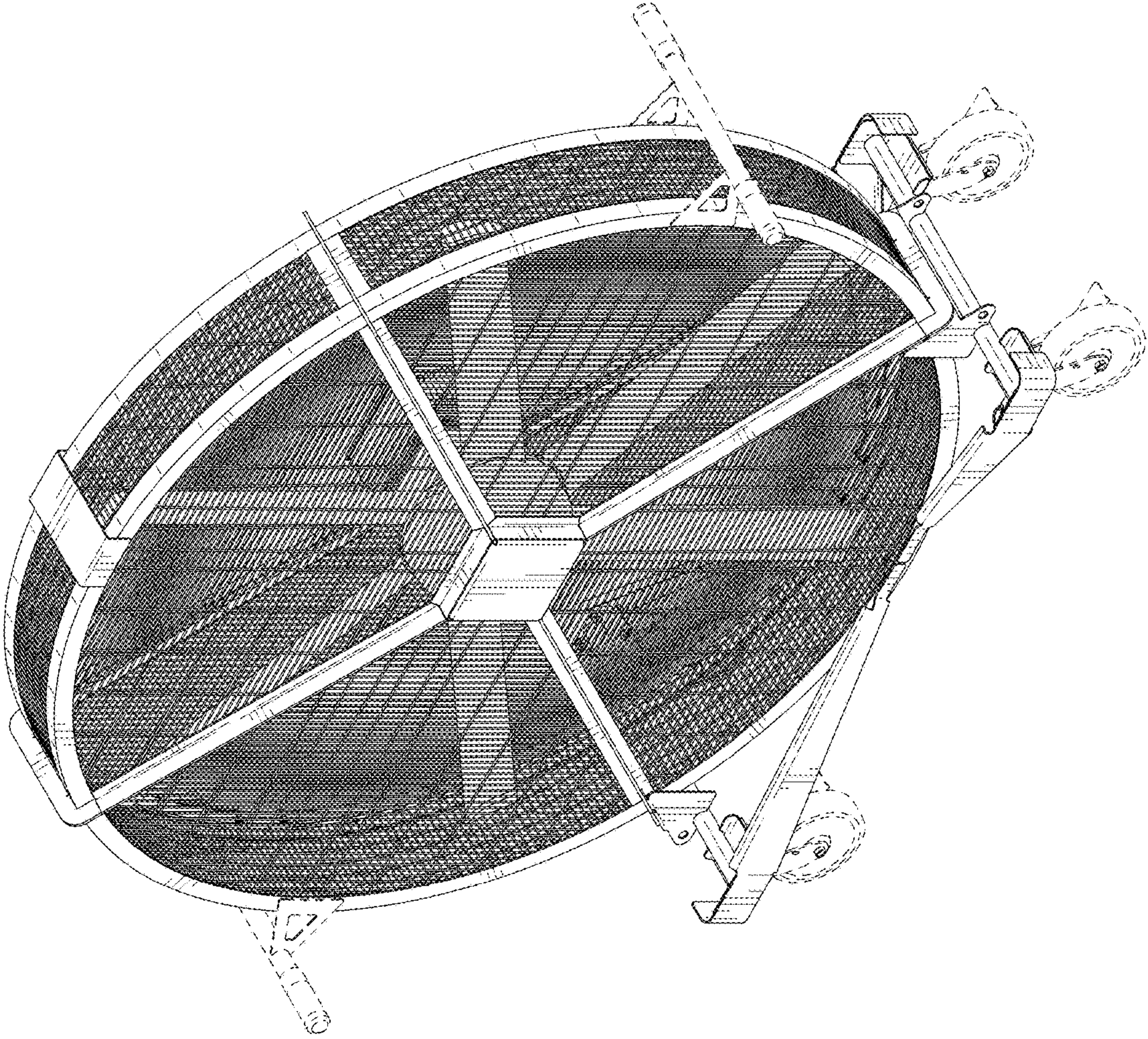


FIG. 1



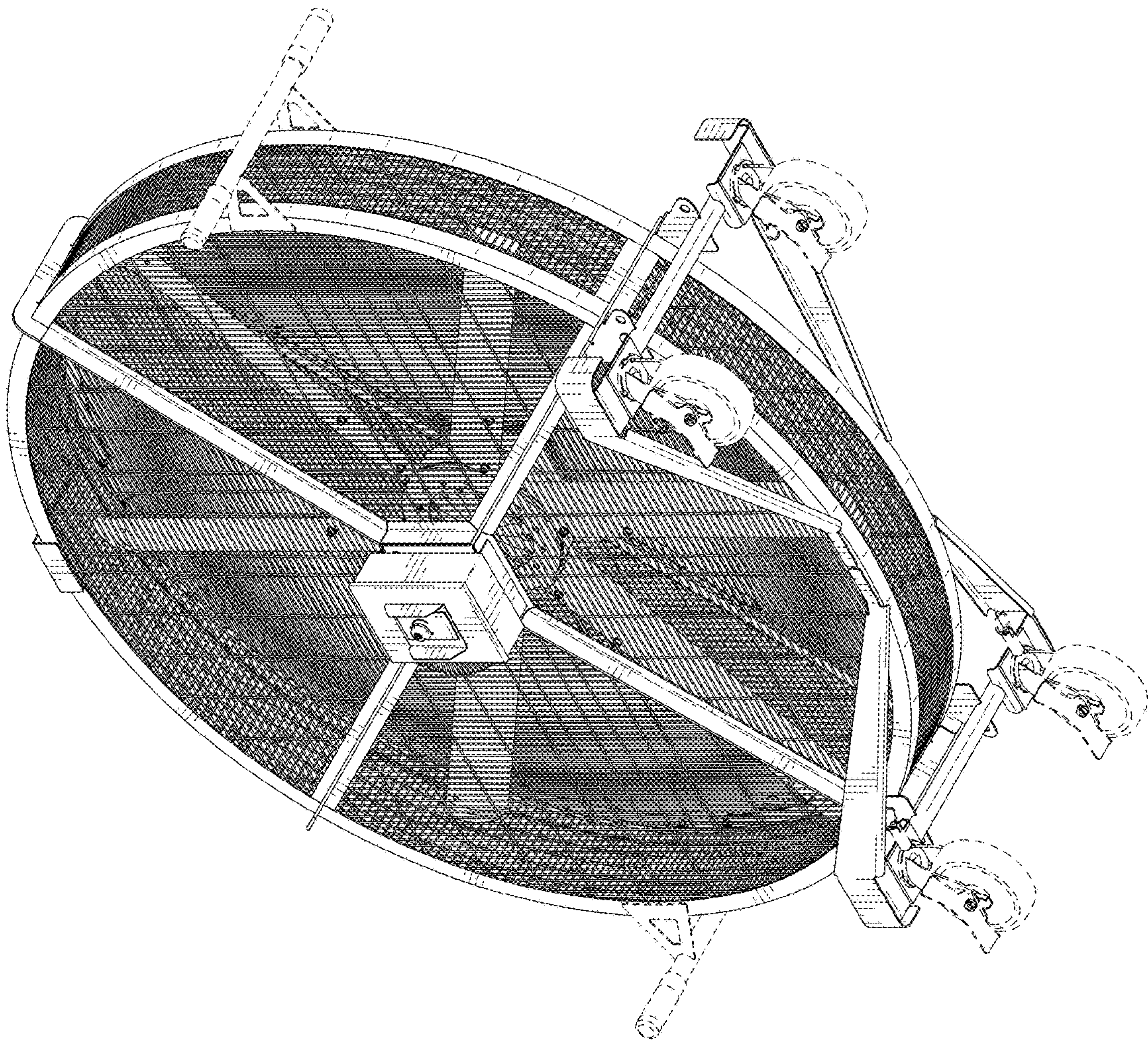


FIG. 2



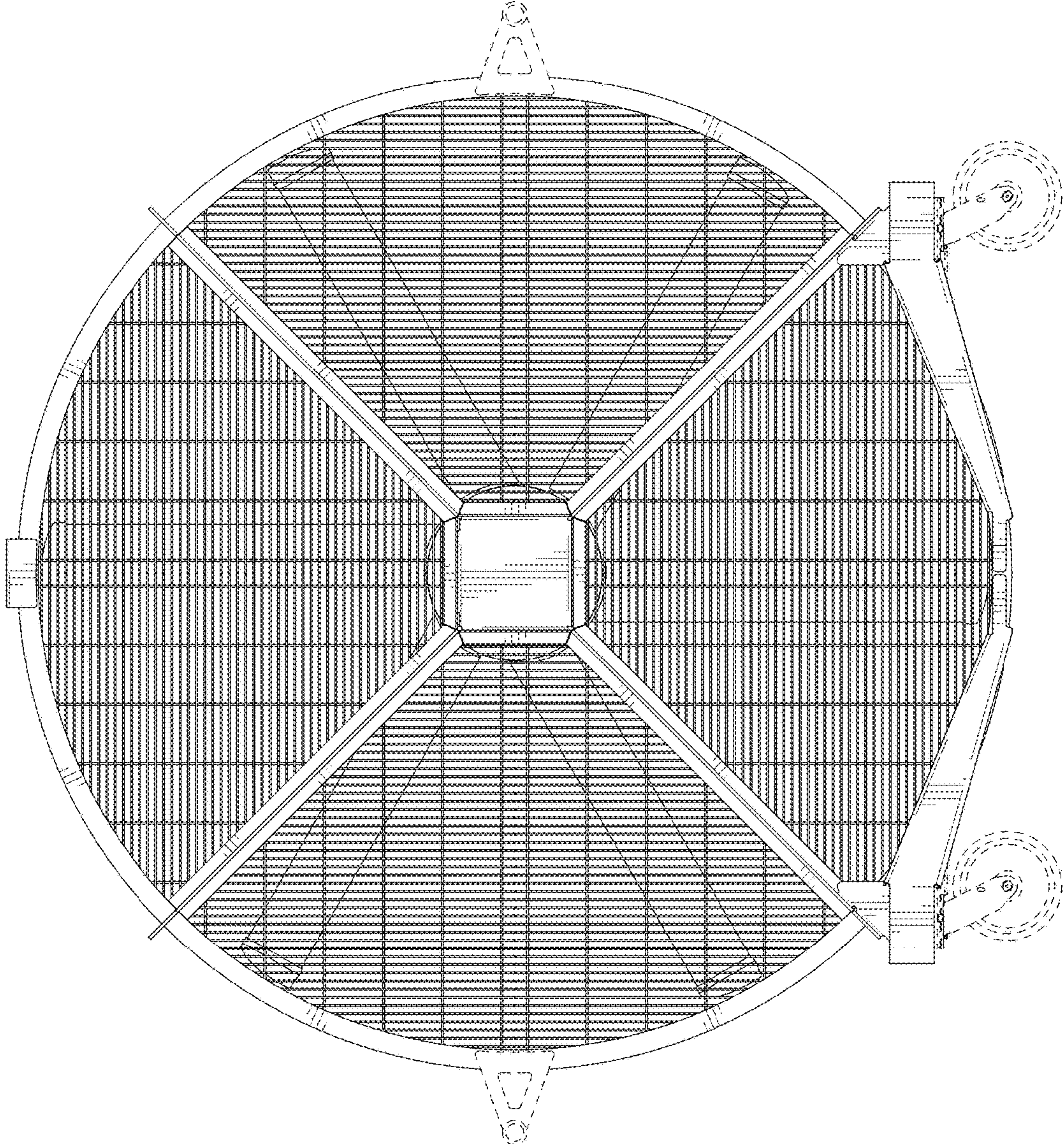


FIG. 3



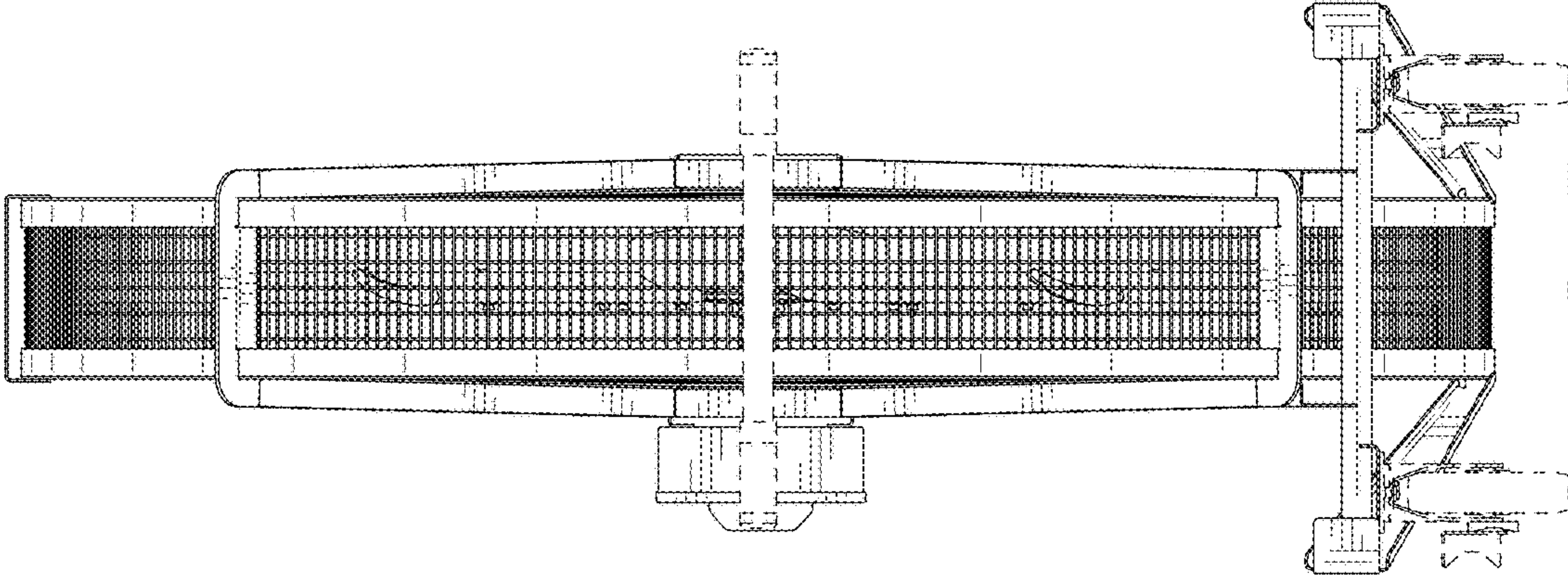


FIG. 5

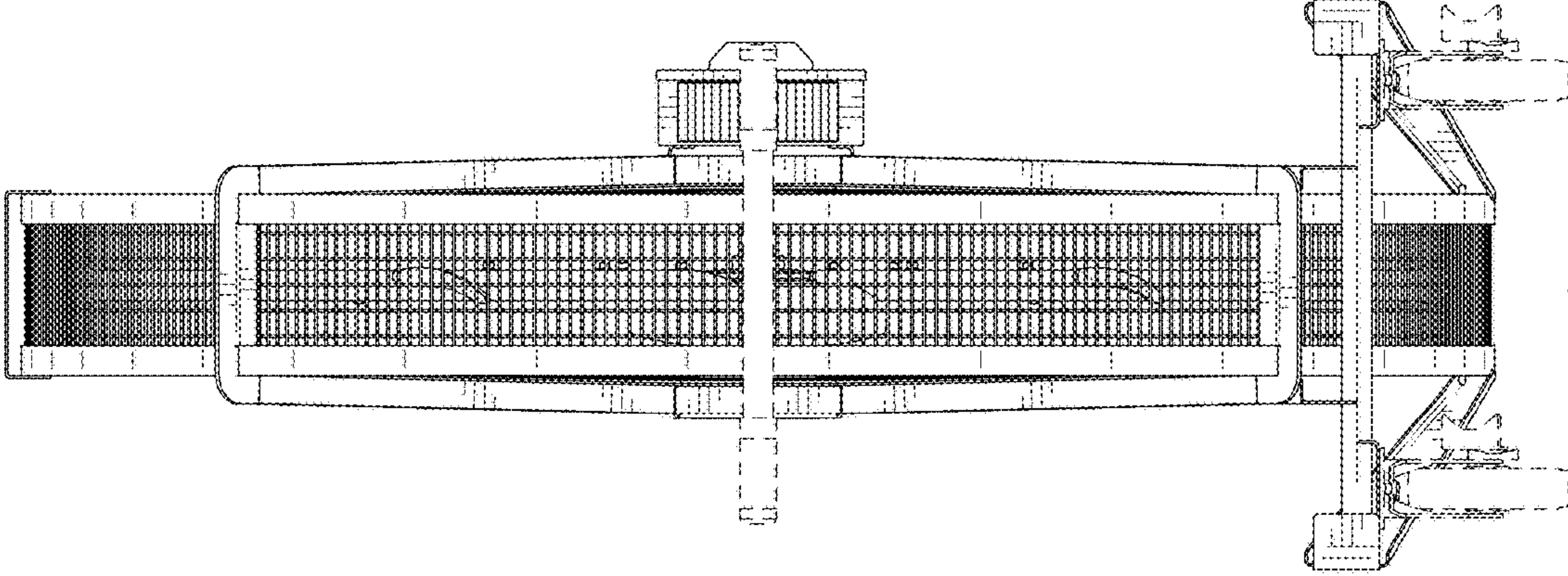


FIG. 4



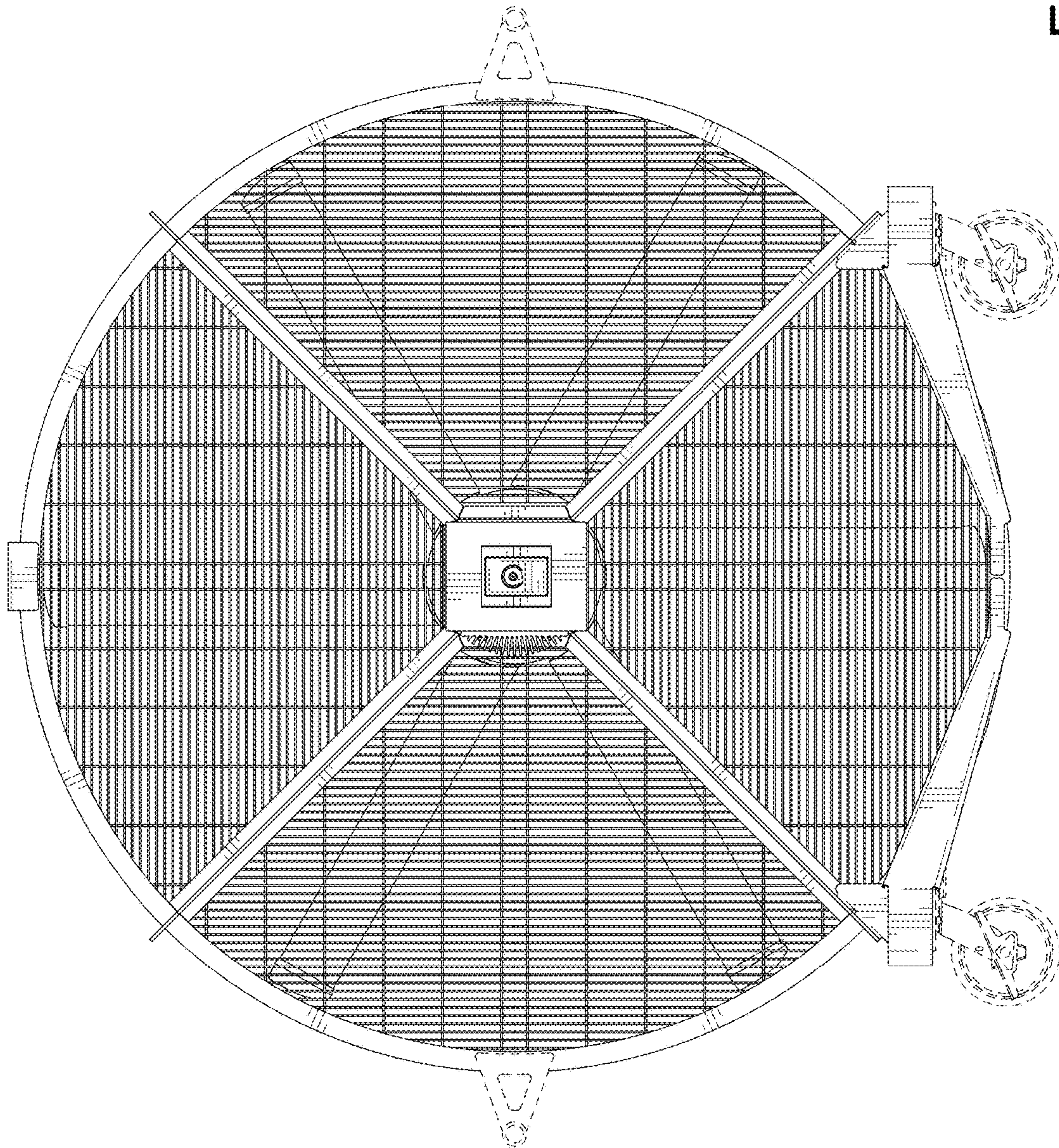


FIG. 6



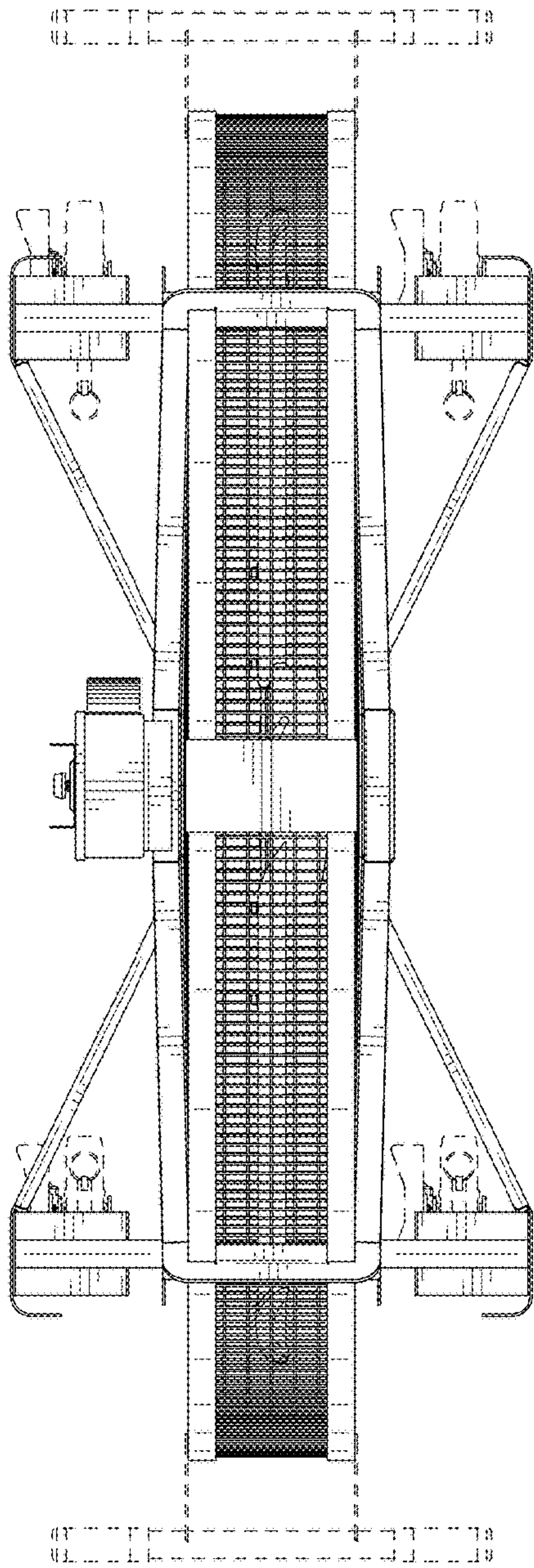


FIG. 7

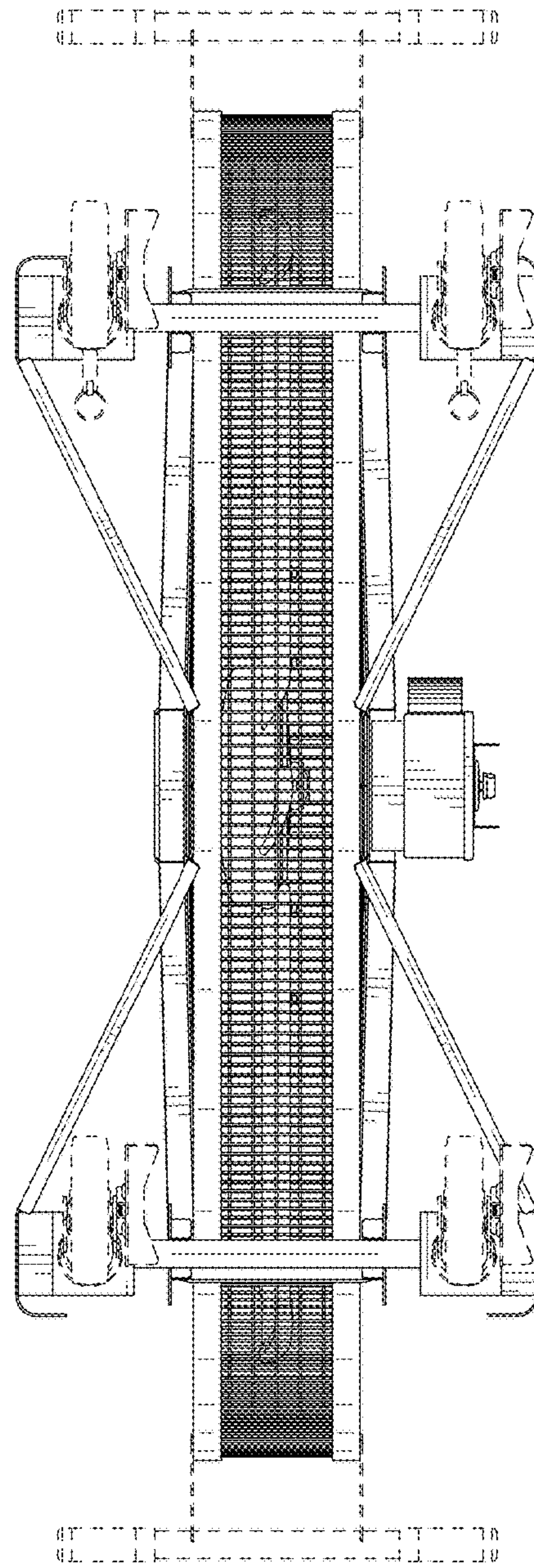


FIG. 8