



US00D811574S

(12) **United States Design Patent**
McRoberts

(10) **Patent No.:** **US D811,574 S**

(45) **Date of Patent:** **** Feb. 27, 2018**

(54) **CEILING FAN**

(71) Applicant: **HUNTER FAN COMPANY,**
Memphis, TN (US)

(72) Inventor: **Claire Bernice McRoberts,** Memphis,
TN (US)

(73) Assignee: **Hunter Fan Company,** Memphis, TN
(US)

(**) Term: **15 Years**

(21) Appl. No.: **29/582,629**

(22) Filed: **Oct. 28, 2016**

(51) **LOC (11) Cl.** **23-04**

(52) **U.S. Cl.**

USPC **D23/377; D23/385**

(58) **Field of Classification Search**

USPC D23/370, 377, 379, 385, 411; D26/59

CPC F04D 25/088; F21V 33/0096

See application file for complete search history.

(56) **References Cited**

U.S. PATENT DOCUMENTS

D270,757 S	9/1983	Dennis	
D315,946 S	4/1991	Hollbrook	
D364,224 S	* 11/1995	Wang	D23/377
D392,035 S	3/1998	Gee, II	
D394,103 S	5/1998	Lee	
D405,172 S	2/1999	LaSpina	
D408,523 S	4/1999	Thomas	
D424,679 S	* 5/2000	LaSpina	D23/377
D428,982 S	8/2000	Oldenburg	
D435,901 S	1/2001	Tsuji	
D435,902 S	1/2001	Huang	
D437,046 S	1/2001	Tsuji	
D440,649 S	4/2001	Tsuji	
D454,632 S	3/2002	Huang	
D480,134 S	9/2003	Wilson	
D481,117 S	10/2003	Tsuji	
D483,463 S	* 12/2003	Tai	D23/377

D483,465 S	* 12/2003	Tai	D23/377
D483,855 S	12/2003	Stauffer	
D486,215 S	2/2004	Hsieh	
D499,478 S	12/2004	Thomas, Jr.	
D526,078 S	8/2006	Holmes	
D526,733 S	8/2006	Ertze	
D533,955 S	12/2006	Pan	
D536,466 S	2/2007	Pan	
D559,970 S	1/2008	Frampton	
D627,046 S	* 11/2010	Wang	D23/377

(Continued)

OTHER PUBLICATIONS

<http://www.homedepot.com/p/Hampton-Bay-Havenville-52-in-Berre-Walnut-Ceiling-Fan-14951/203136411>, Item Specification for Hampton Bay Havenville 52in Berre Walnut Ceiling Fan Model 14951, accessed on Oct. 27, 2016.

(Continued)

Primary Examiner — Janice Hallmark

(74) *Attorney, Agent, or Firm* — McGarry Bair PC

(57)

CLAIM

The ornamental design for a ceiling fan, as shown and described.

DESCRIPTION

FIG. 1 is a top perspective view of a ceiling fan showing my new design;

FIG. 2 is a bottom perspective view of the ceiling fan of FIG. 1;

FIG. 3 is a top view of the ceiling fan of FIG. 1;

FIG. 4 is a bottom view of the ceiling fan of FIG. 1;

FIG. 5 is a right side view of the ceiling fan of FIG. 1;

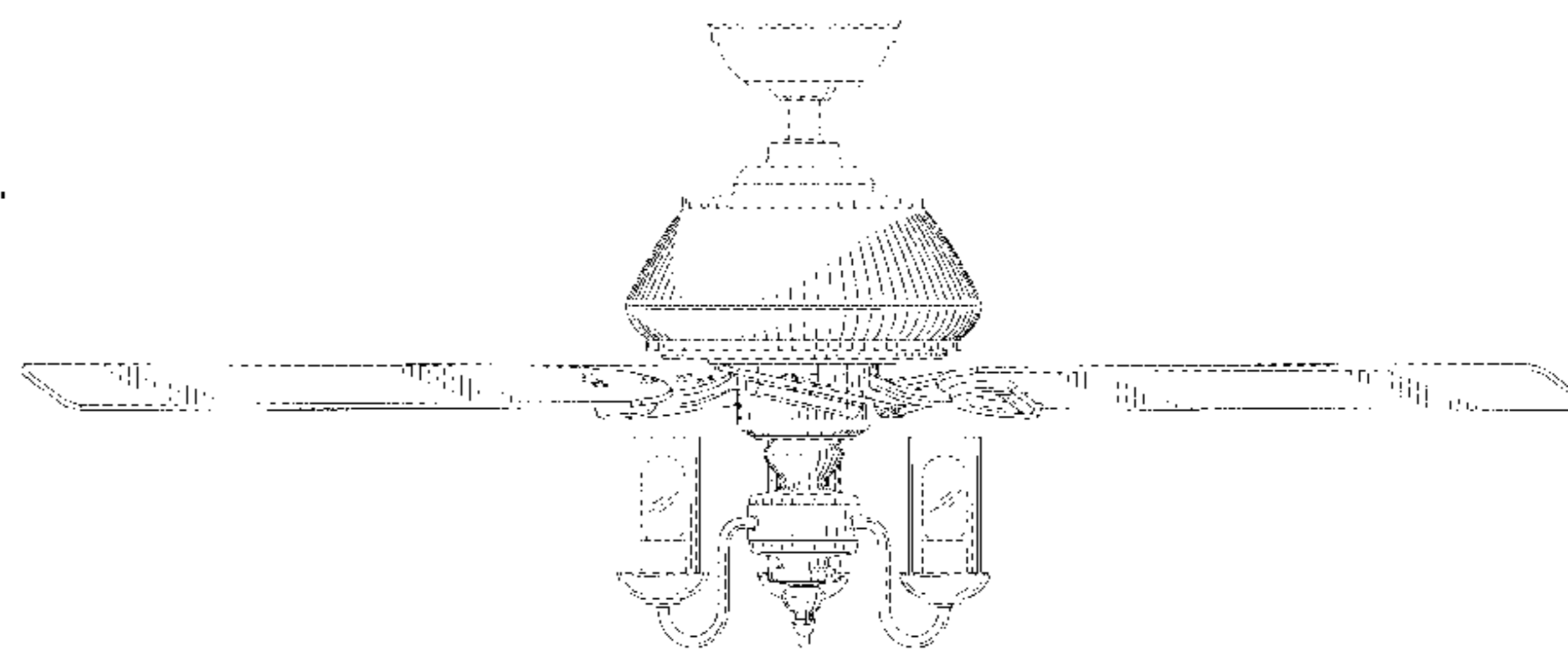
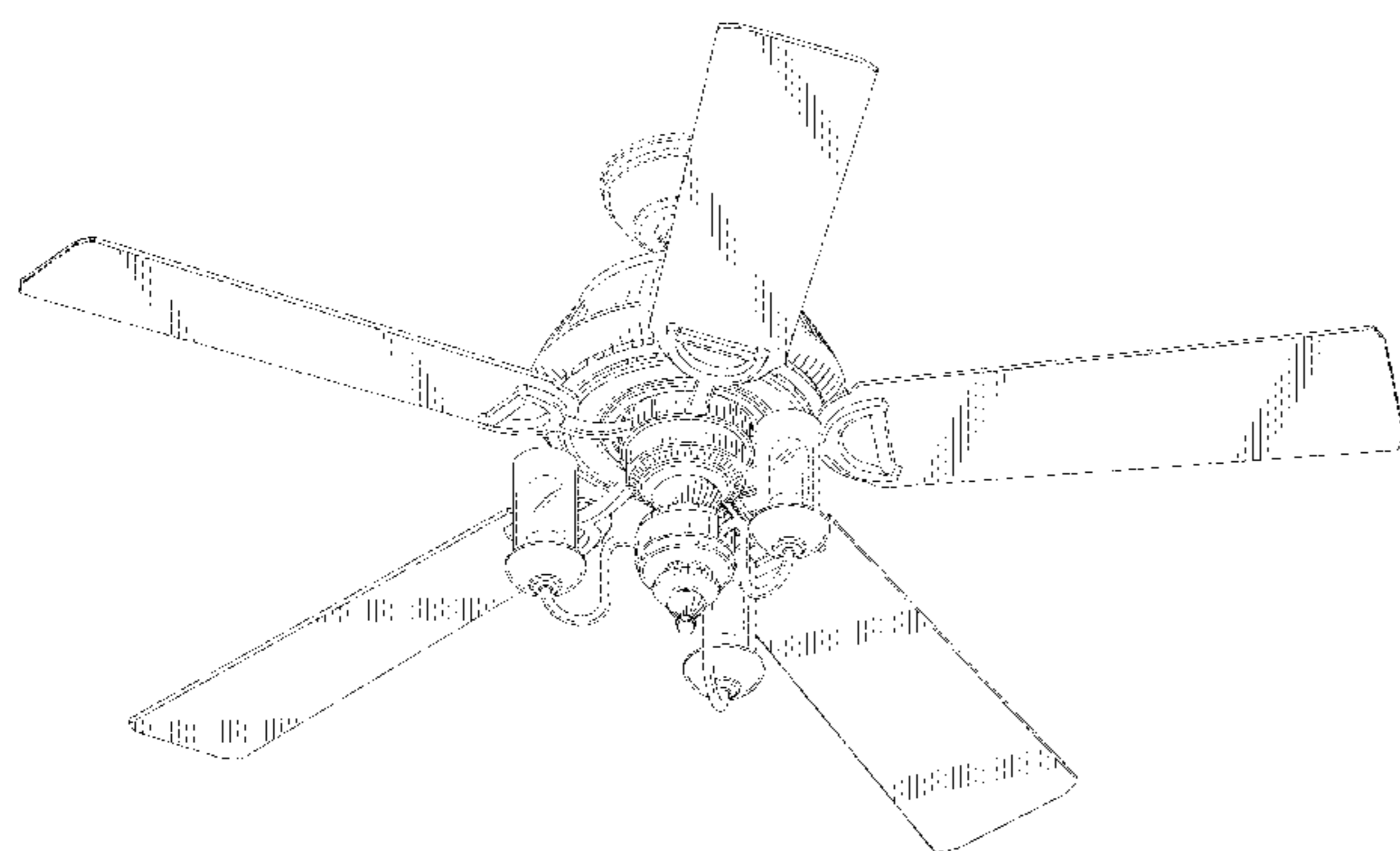
FIG. 6 is a front side view of the ceiling fan of FIG. 1;

FIG. 7 is a left side view of the ceiling fan of FIG. 1; and

FIG. 8 is a rear side view of the ceiling fan of FIG. 1.

Portions of the ceiling fan shown in broken lines form no part of the claimed design.

1 Claim, 8 Drawing Sheets



(56)

References Cited

U.S. PATENT DOCUMENTS

D627,049	S	11/2010	Glasbrenner	
D632,382	S *	2/2011	Pan D23/377
D671,202	S	11/2012	Searle	
D671,631	S	11/2012	Searle	
D714,925	S *	10/2014	Pan D23/377
2011/0286204	A1 *	11/2011	Lord F21V 33/0096 362/147

OTHER PUBLICATIONS

<http://www.hunterfan.com/Ceiling-Fans/Altitude?ModelNumber=59015>, Item Specification for Hunter Fan Altitude—52in Ceiling Fan Model 59015, accessed on Oct. 27, 2016.

<http://www.menards.com/main/lighting-ceiling-fans/ceiling-fans/shop-all-ceiling-fans/turn-of-the-century-somerville-52in-oil-rubbed-bronze-ceiling-fan/p-1444438422983-c-7488.htm?tid=6371324041319451390>, Item Specification for Turn of the Century Somerville 52in Oil-Rubbed Bronze Transitional Ceiling Fan, accessed on Oct. 27, 2016.

<http://www.menards.com/main/lighting-ceiling-fans/ceiling-fans/shop-all-ceiling-fans/turn-of-the-century-yellowstone-56in-aged-walnut-ceiling-fan/p-1444438418412-c-7488.htm?tid=6371324041319451390>, Item Specification for Turn of the Century Yellowstone 56in Aged Walnut Rustic and Lodge Ceiling Fan, accessed on Oct. 27, 2016.

<http://www.kichler.com/products/product/52-inch-sutter-place-premier-fan-obb-339400obb.aspx>, Item Specification for Kichler Sutter Place Premier Collection 52in Ceiling Fan Model 339400OBB, accessed on Oct. 27, 2016.

<http://www.quoruminternational.com/index.cfm/app/productDetail?product=79525-44>, Item Specification for Quorum International 79525-44 Ceiling Fan, accessed on Oct. 27, 2016.

<http://www.quoruminternational.com/index.cfm/app/productDetail?product=43306-95>, Item Specification for Quorum International 43306-95 Ceiling Fan, accessed on Oct. 27, 2016.

<http://www.kichler.com/products/product/52-inch-lyndon-fan-oz-300120oz.aspx>, Item Specification for Kichler 52in Lyndon Fan OZ Model 300120OZ, accessed on Oct. 27, 2016.

<http://www.hunterfan.com/Ceiling-Fans/Adirondack?ModelNumber=59006>, Item Specification for Hunter Fan Adirondack 52in Ceiling Fan Model 59006, accessed on Oct. 27, 2016.

<http://kingoffans.com/#/products/ceilingFans>, Item Specification for King of Fans Cameron II Ceiling Fan, accessed on Oct. 27, 2016.

http://www.cens.com/cens/html/en/product/product_main_77127.html, Item Specification for Air Cool Industrial Co. Jupiter-Champagne Lights Series Ceiling Fan Model YG075, accessed on Oct. 27, 2016.

http://www.cens.com/cens/html/en/product/product_main_77126.html, Item Specification for Air Cool Industrial Co. Lyra-Champagne Lights Series Ceiling Fan Model CE1009, accessed on Oct. 27, 2016.

* cited by examiner

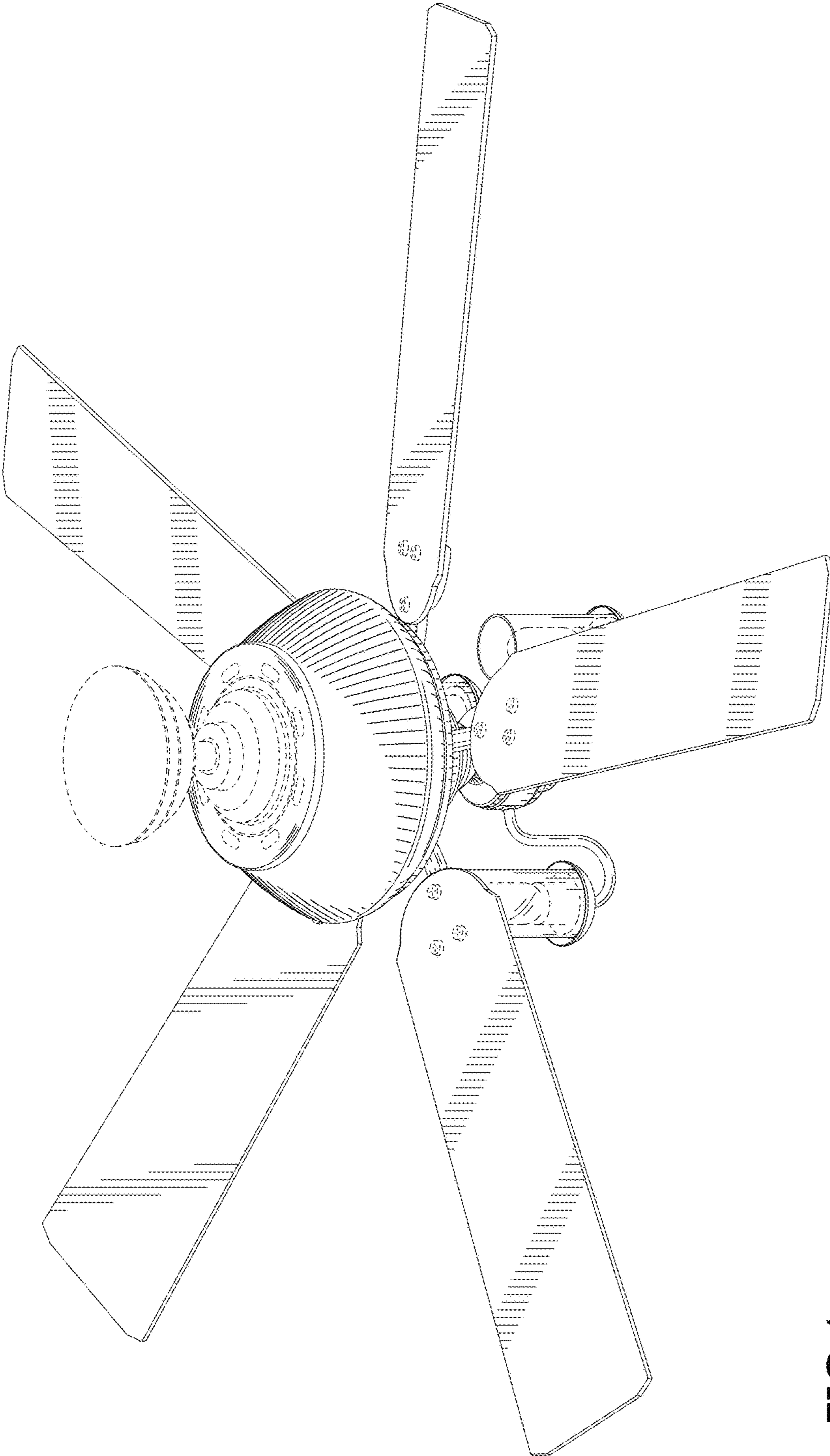


FIG.1

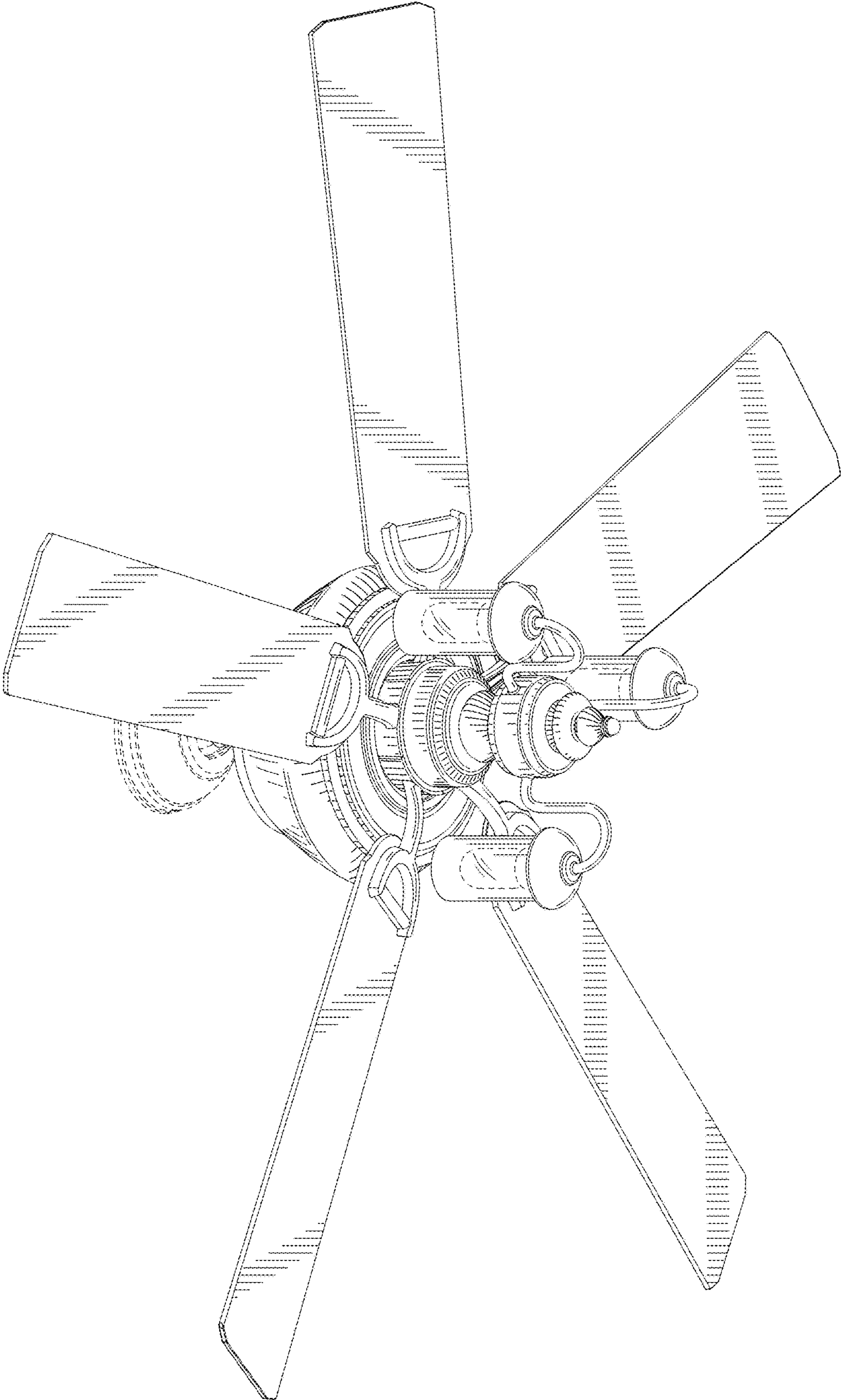


FIG.2

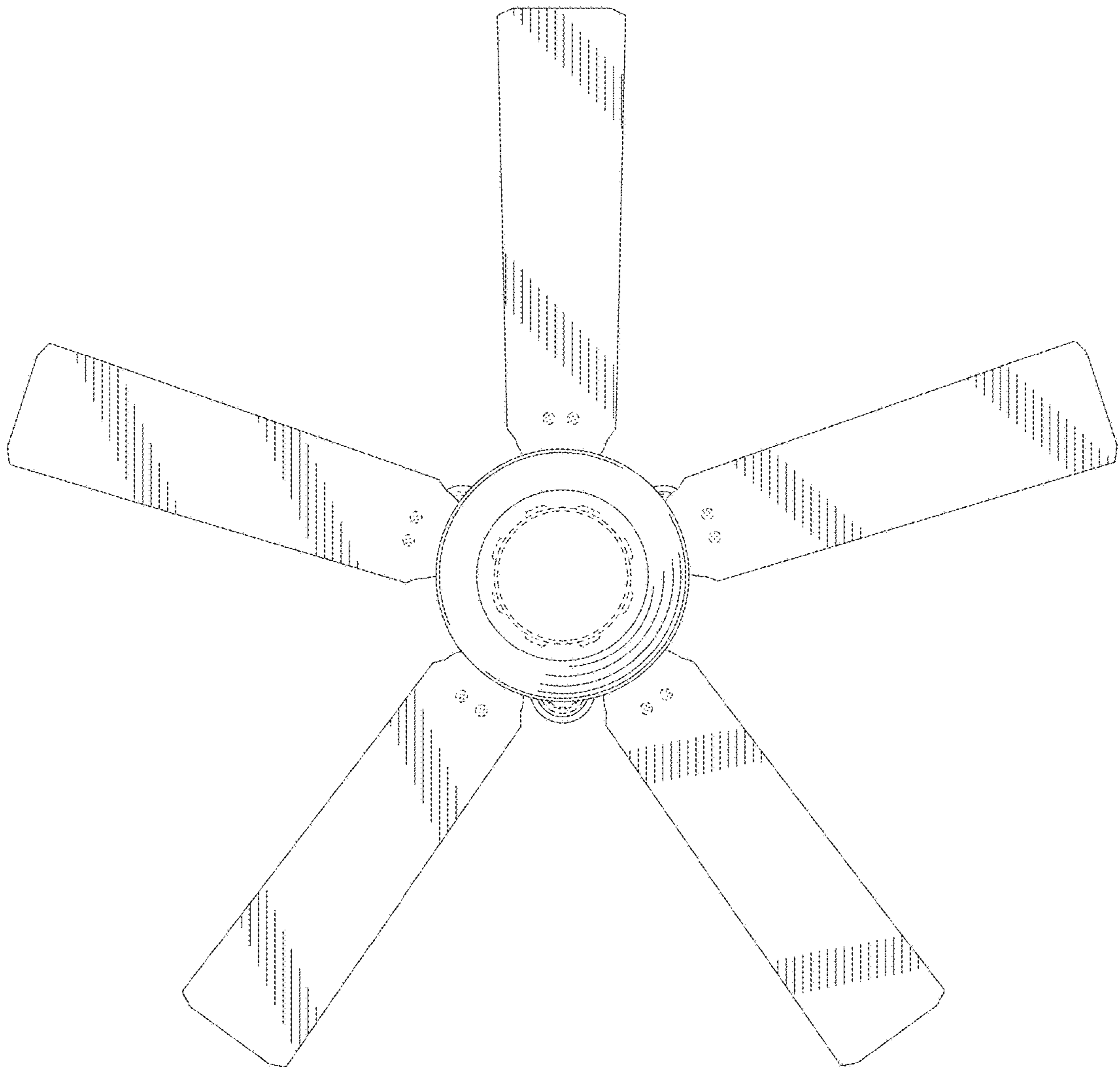


FIG.3

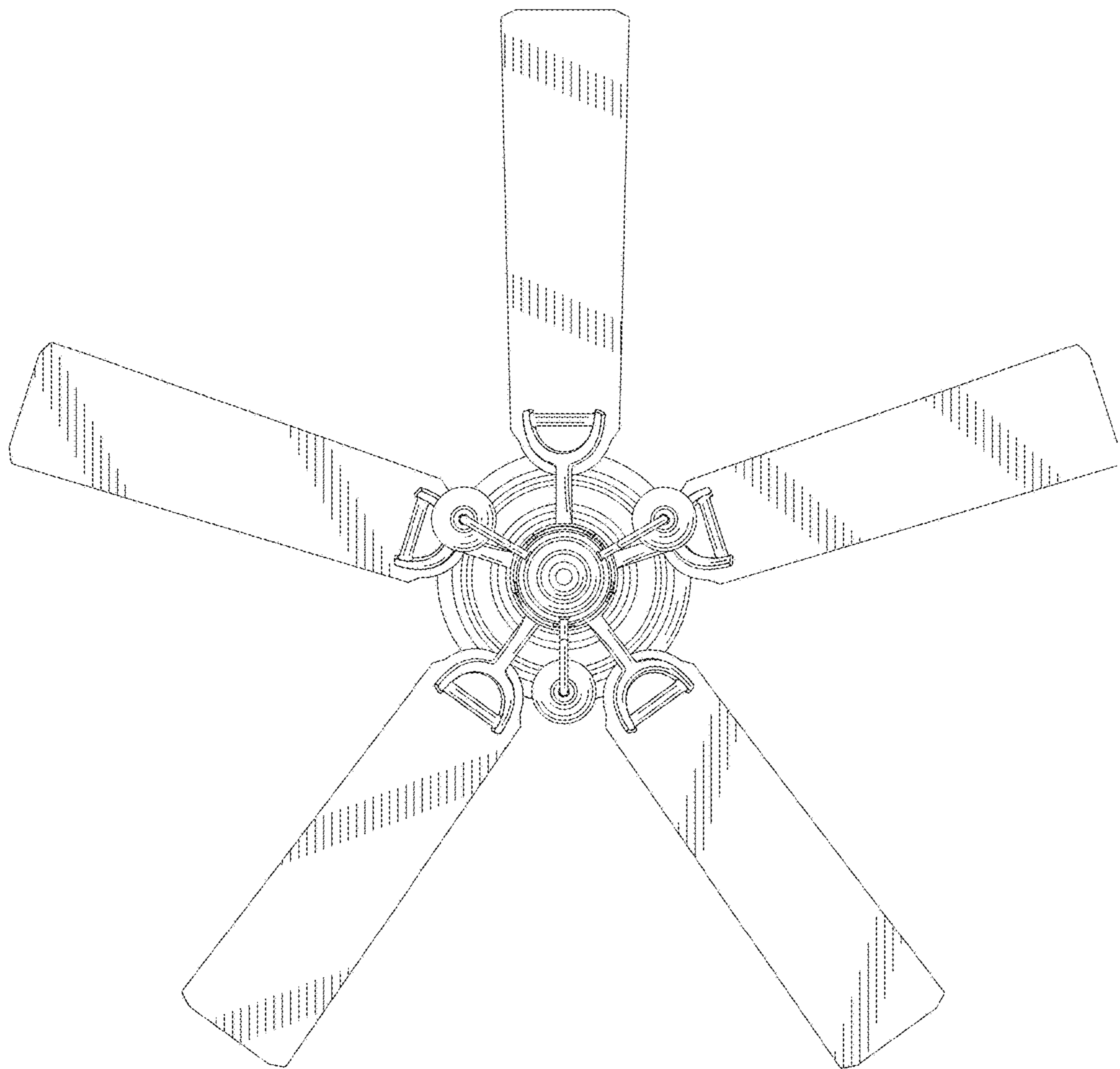


FIG.4

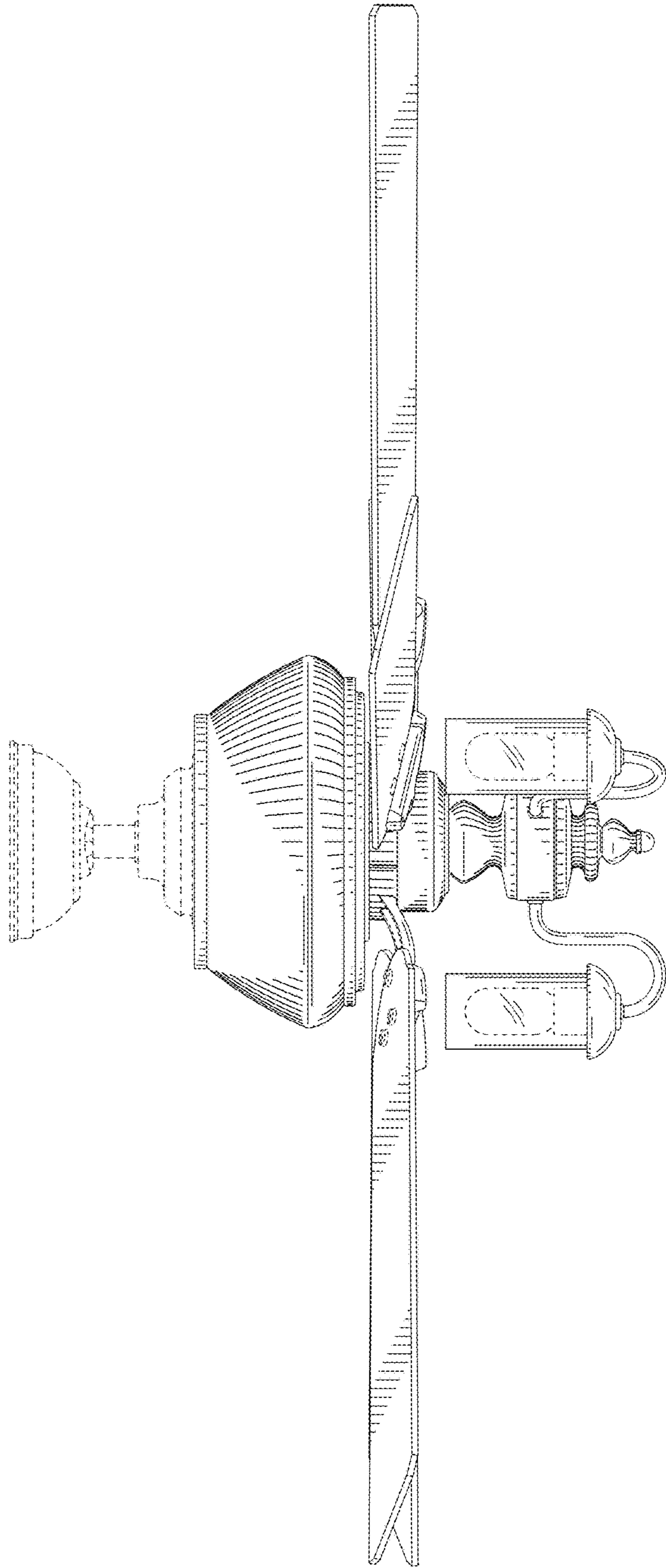


FIG.5

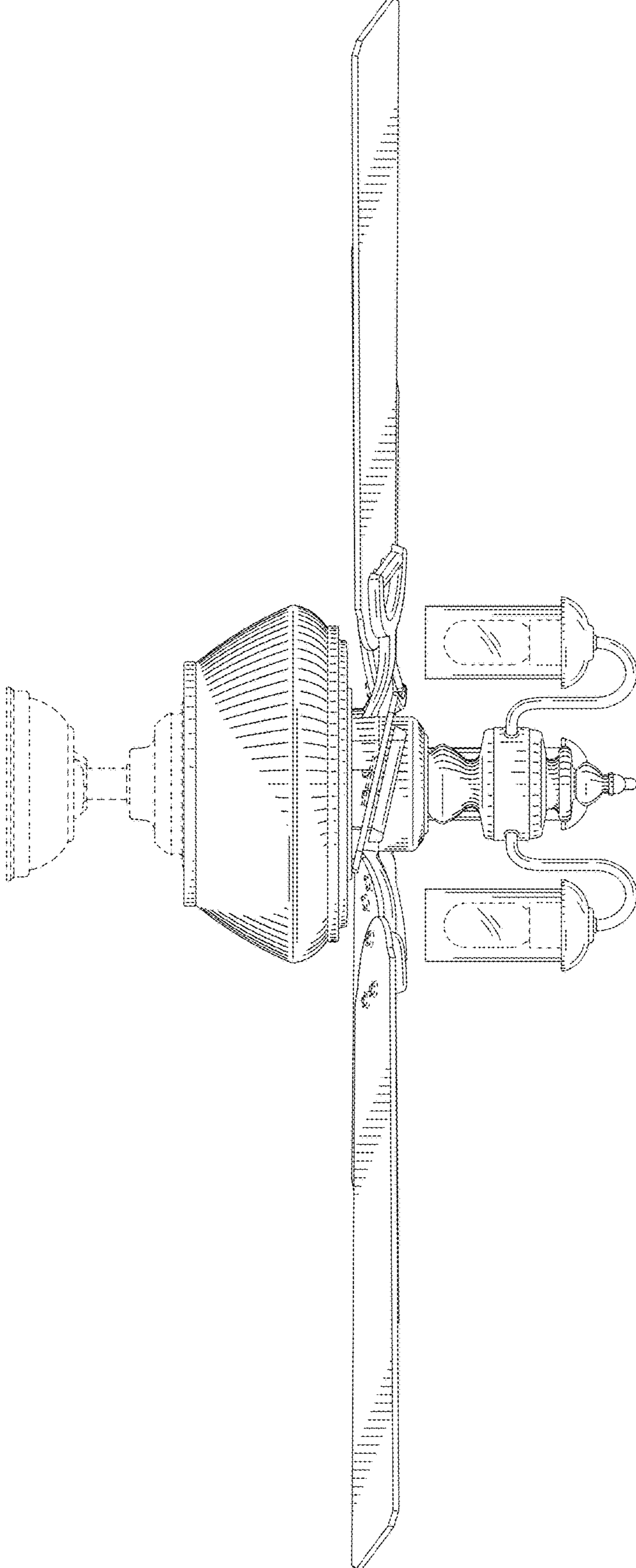


FIG.6

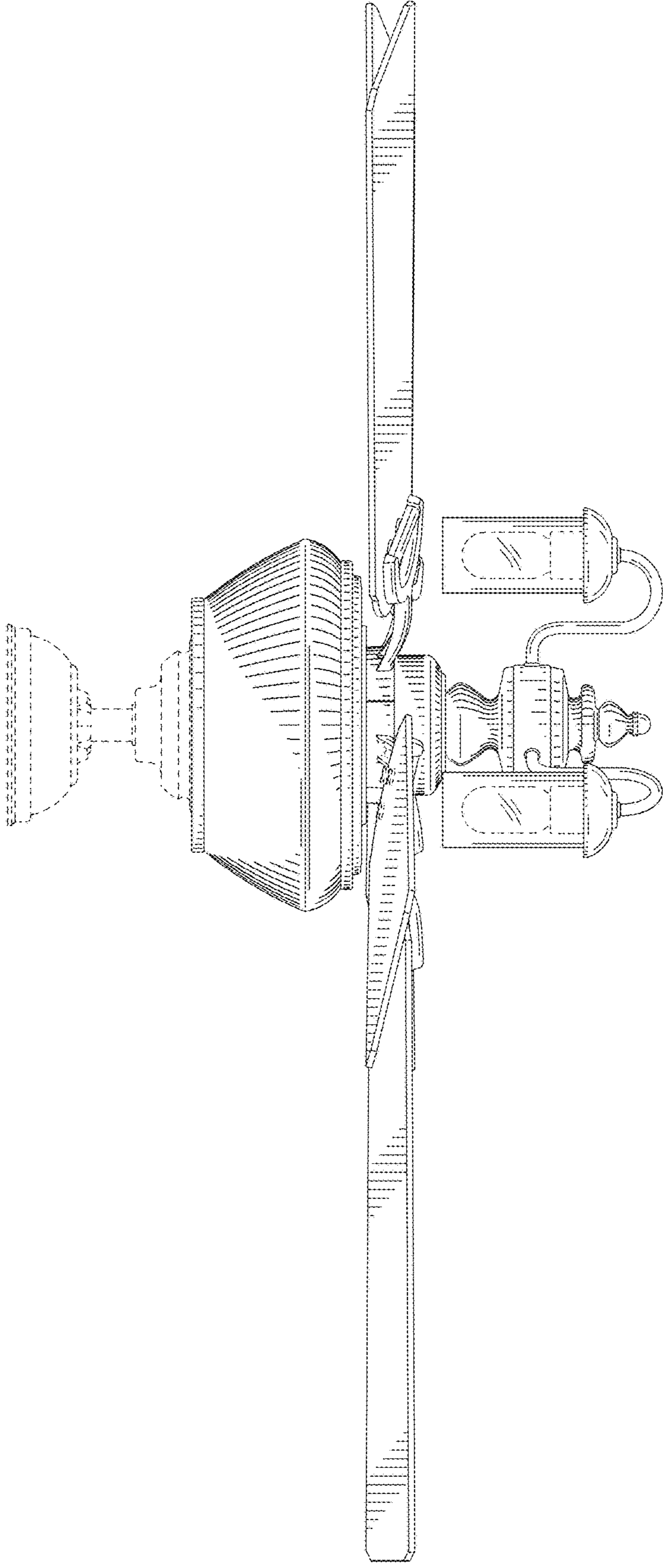


FIG.7

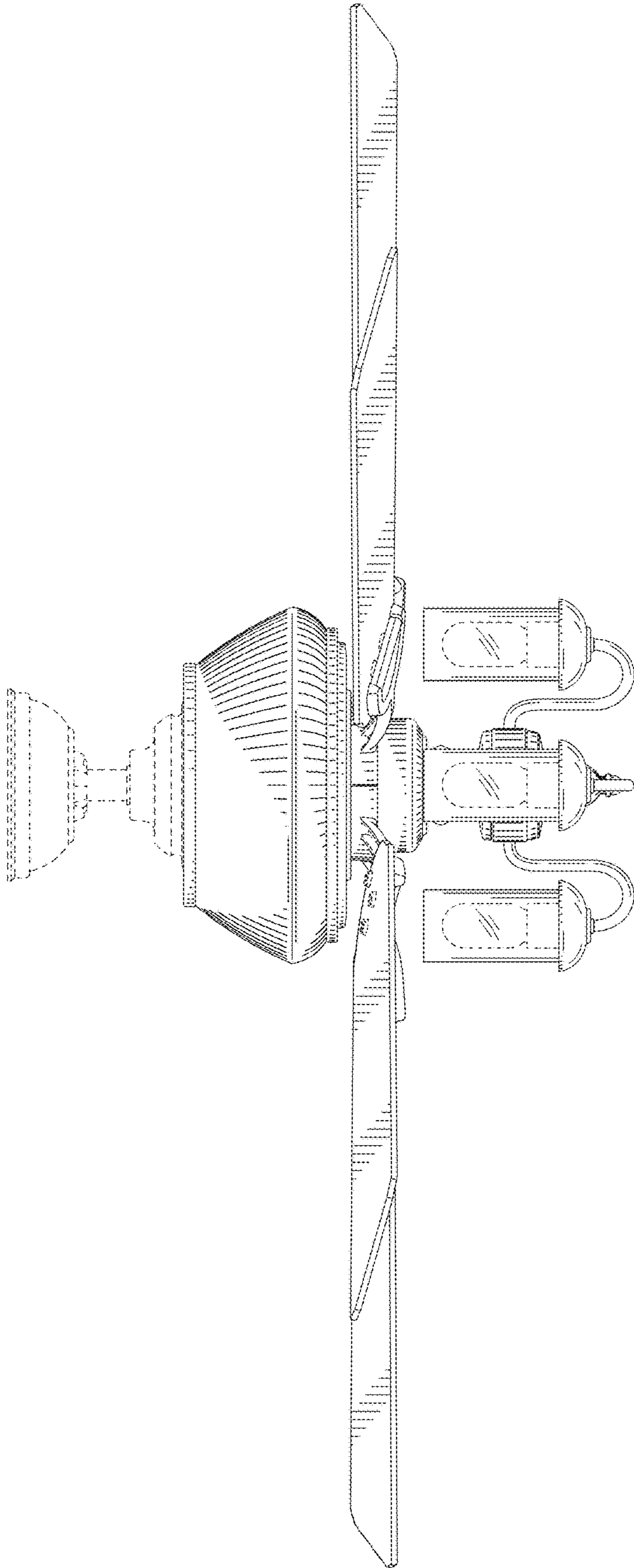


FIG.8