



US00D811573S

(12) **United States Design Patent** (10) **Patent No.:** **US D811,573 S**
Mok (45) **Date of Patent:** **** Feb. 27, 2018**

(54) **RETRACTABLE DOWNDRAFT**
(71) Applicants: **BSH Home Appliances Corporation**,
Irvine, CA (US); **BSH Hausgeräte**
GmbH, Munich (DE)

D593,193 S * 5/2009 Jackson D23/371
D683,009 S * 5/2013 Gartner D23/370
D761,411 S * 7/2016 Schanzenbach D23/371
D780,901 S * 3/2017 Huang D23/370
2003/0114101 A1 * 6/2003 Paz E06B 5/02
454/224

(72) Inventor: **Andy Mok**, Stanton, CA (US)

* cited by examiner

(73) Assignees: **BSH Hausgeräte GmbH**, Munich
(DE); **BSH Home Appliances**
Corporation, Irvine, CA (US)

Primary Examiner — Cynthia Underwood
(74) *Attorney, Agent, or Firm* — Michael E. Tschupp;
Andre Pallapies; Brandon G. Braun

(**) Term: **15 Years**

(21) Appl. No.: **29/535,936**

(57) **CLAIM**

(22) Filed: **Aug. 12, 2015**

The ornamental design for a retractable downdraft, as shown
and described.

(51) **LOC (11) Cl.** **23-04**

(52) **U.S. Cl.**
USPC **D23/372**

DESCRIPTION

(58) **Field of Classification Search**
USPC D23/372, 371, 370, 355, 314
CPC B01D 2273/30; B01D 2265/026; F24F
2001/0096; F24F 2011/0093
See application file for complete search history.

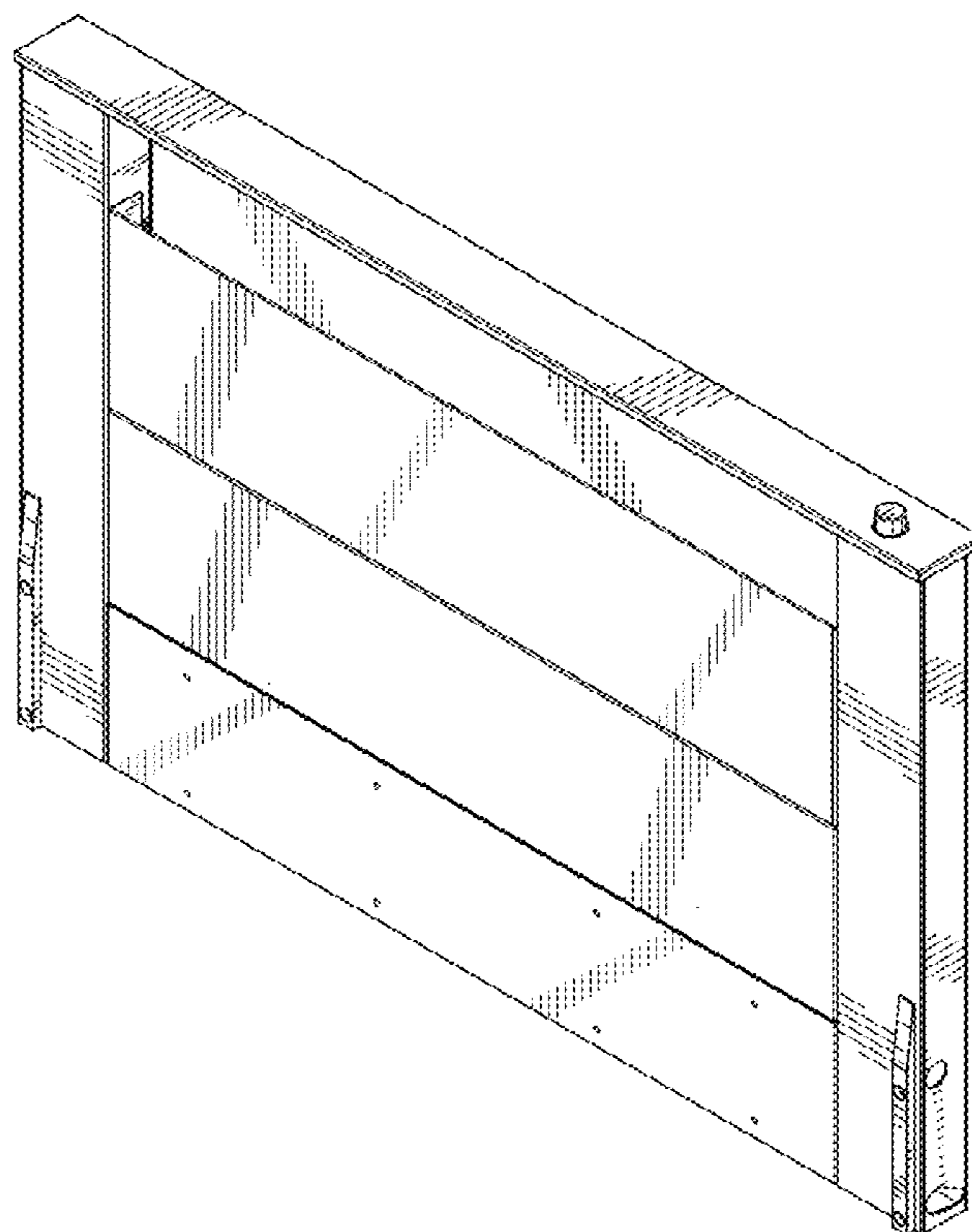
FIG. 1 is a perspective view of a retractable downdraft
showing my new ornamental design;
FIG. 2 is a front view thereof;
FIG. 3 is a rear view thereof;
FIG. 4 is a top view thereof;
FIG. 5 is a left side view thereof;
FIG. 6 is a right side view thereof; and,
FIG. 7 is another perspective view.
The broken lines represent environment or structure and do
not form any part of the claimed design.

(56) **References Cited**

U.S. PATENT DOCUMENTS

5,254,034 A * 10/1993 Roth F24F 13/08
454/277
6,814,660 B1 * 11/2004 Cavett B01D 46/0005
454/284

1 Claim, 6 Drawing Sheets



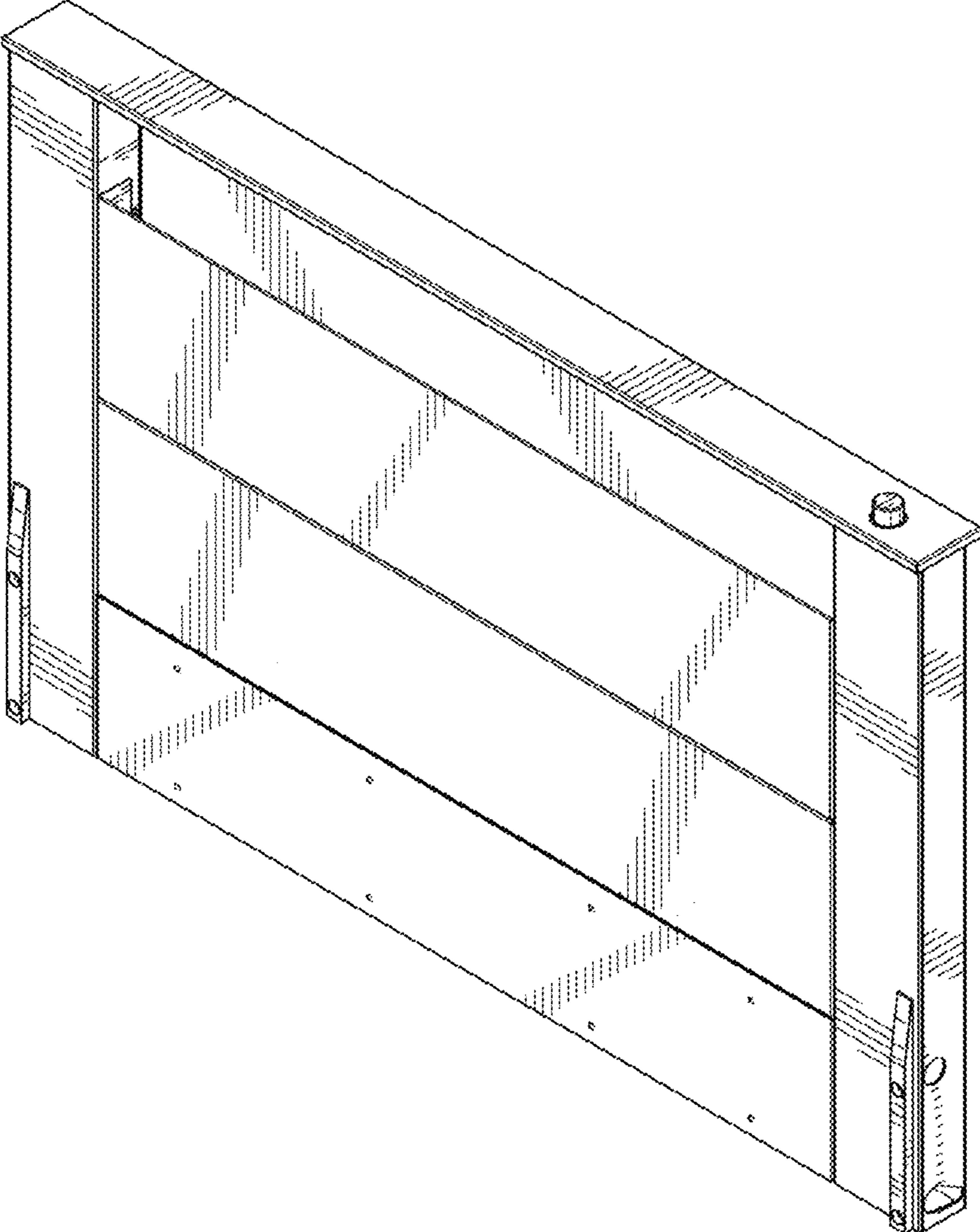


FIG. 1

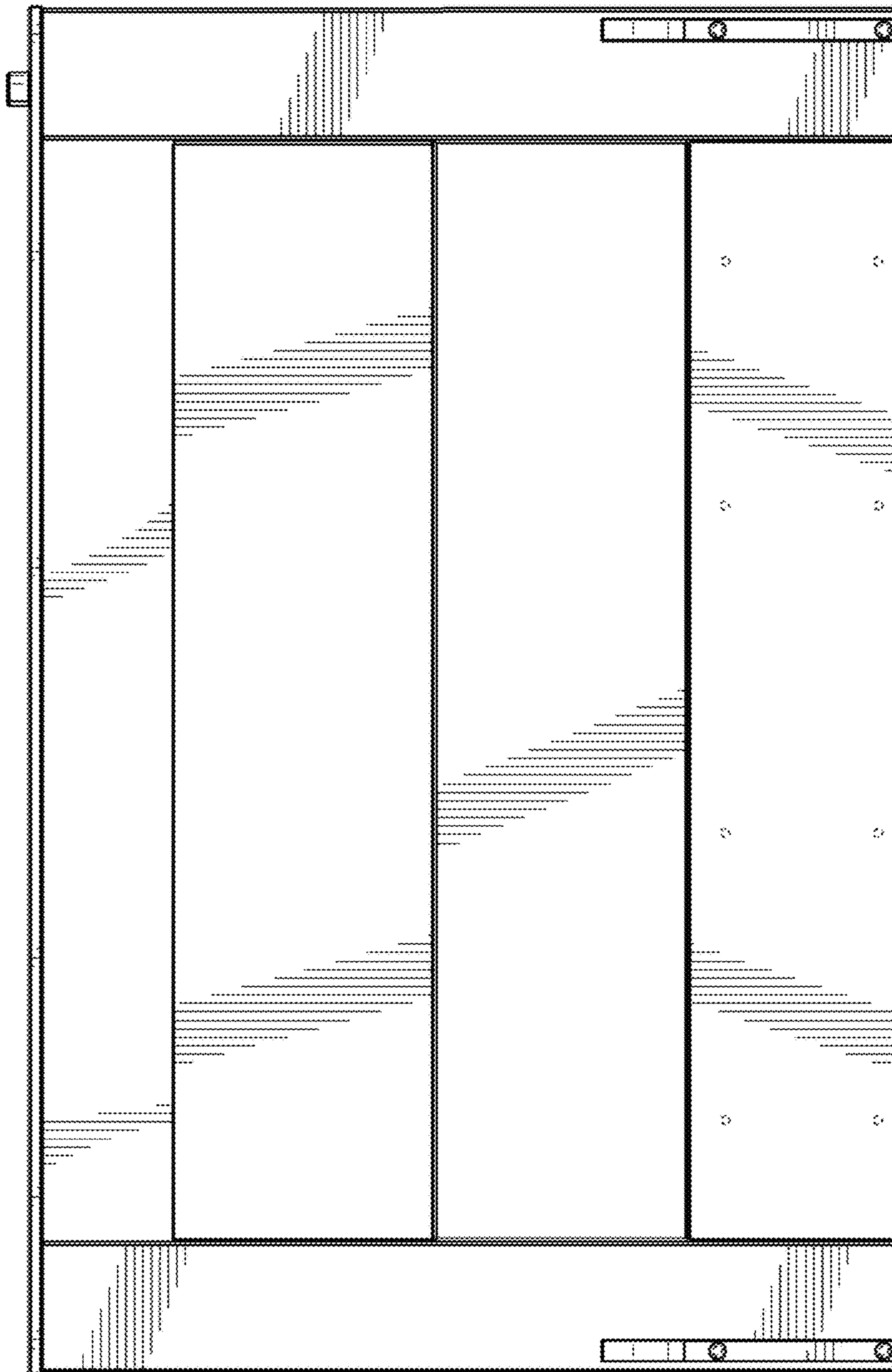


FIG. 2

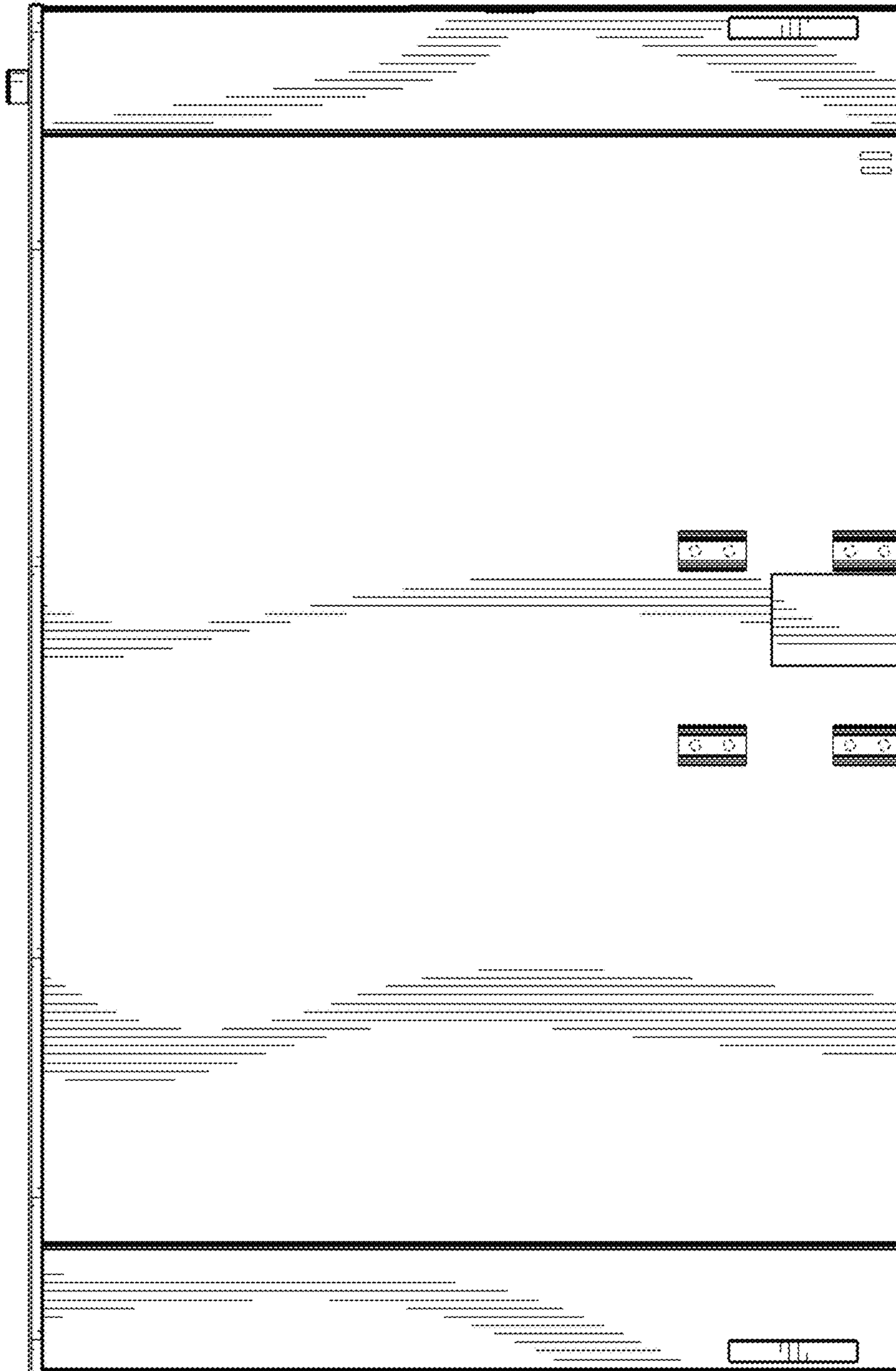


FIG. 3

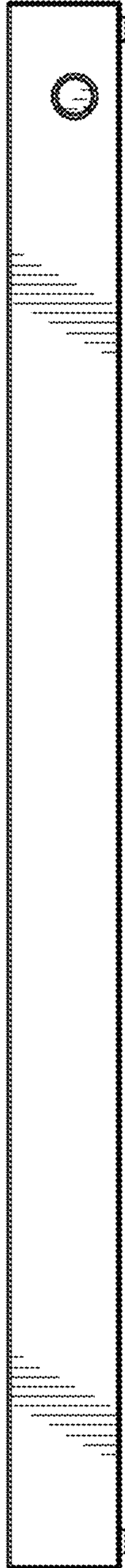


FIG. 4

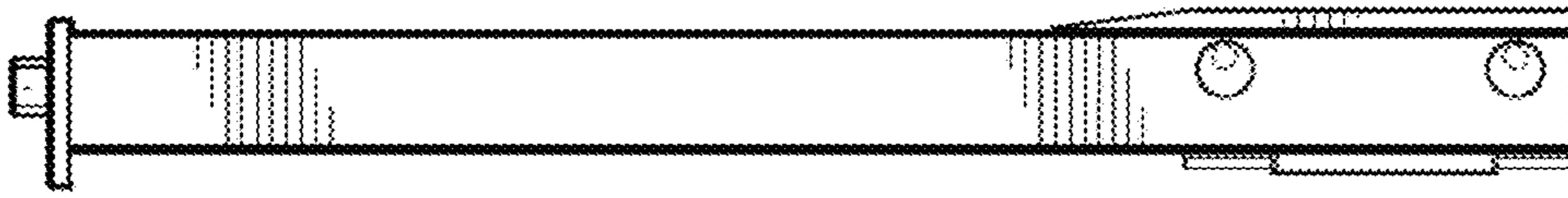


FIG. 6



FIG. 5

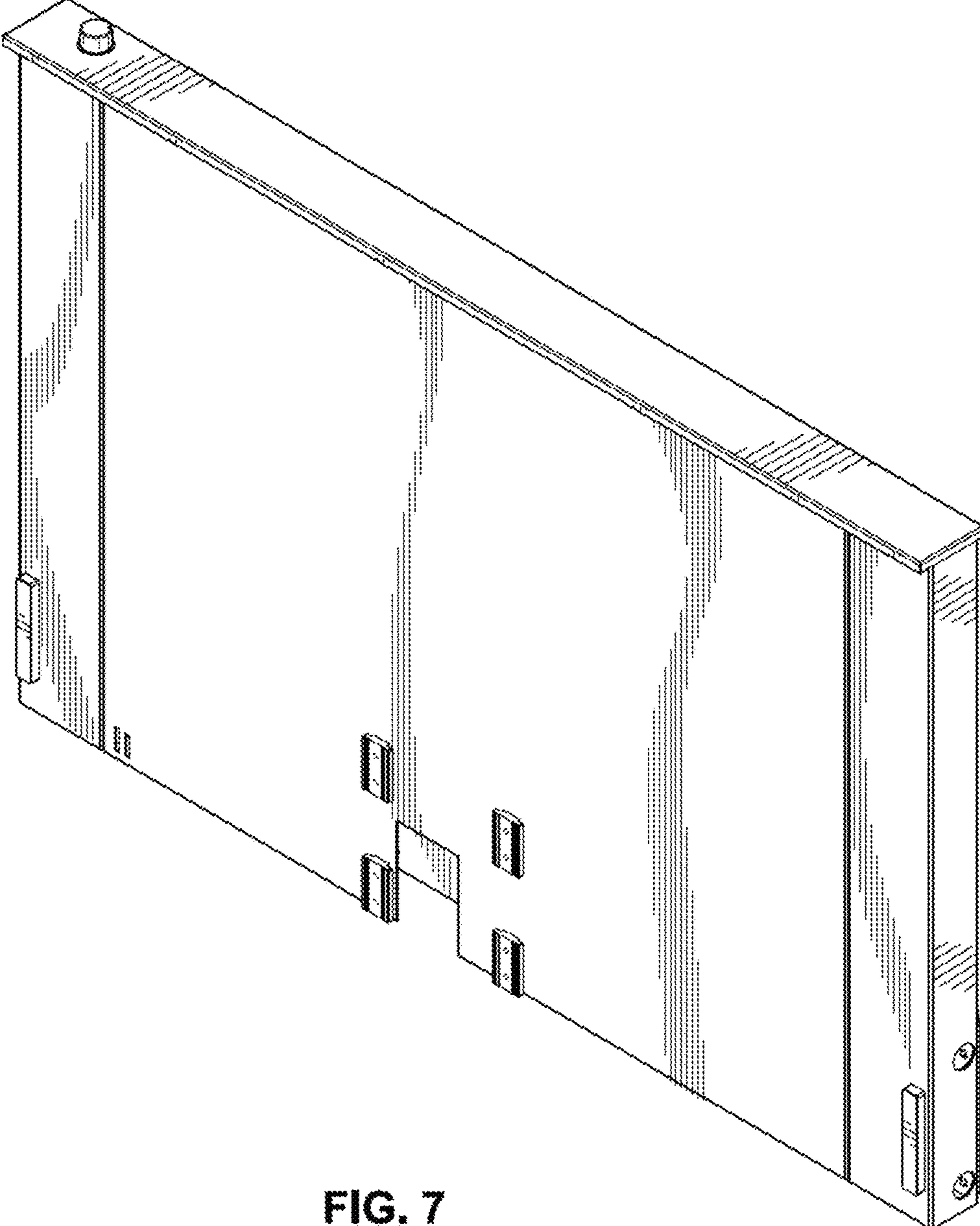


FIG. 7