



US00D811570S

(12) **United States Design Patent** (10) **Patent No.:** **US D811,570 S**  
**Tang** (45) **Date of Patent:** **\*\* Feb. 27, 2018**

(54) **INCENSING HUMIDIFIER**  
(71) Applicant: **Xiaolan Tang**, Fujian (CN)  
(72) Inventor: **Xiaolan Tang**, Fujian (CN)  
(\*\*) Term: **15 Years**  
(21) Appl. No.: **29/583,621**  
(22) Filed: **Nov. 8, 2016**  
(51) **LOC (11) Cl.** ..... **23-04**  
(52) **U.S. Cl.**  
USPC ..... **D23/356**  
(58) **Field of Classification Search**  
USPC ..... D23/355-366, 352, 369, 332, 333, 335,  
D23/336, 342, 351; 422/120, 122;  
55/356, 473, 504; 96/97; 261/DIG. 17,  
261/DIG. 65, DIG. 88, DIG. 31  
CPC .. A61L 9/16; A61L 9/22; B01D 47/00; B01D  
47/027; B01D 2221/02; B01D 2259/4508;  
B03C 3/155; F24F 13/20; F24F 13/222  
See application file for complete search history.

(56) **References Cited**  
U.S. PATENT DOCUMENTS  
D289,920 S \* 5/1987 O'Neil, Jr. .... D23/366  
D383,202 S \* 9/1997 Meister ..... D23/364  
D491,257 S \* 6/2004 Picken, Jr. .... D23/366  
D521,620 S \* 5/2006 Tseng ..... D23/364

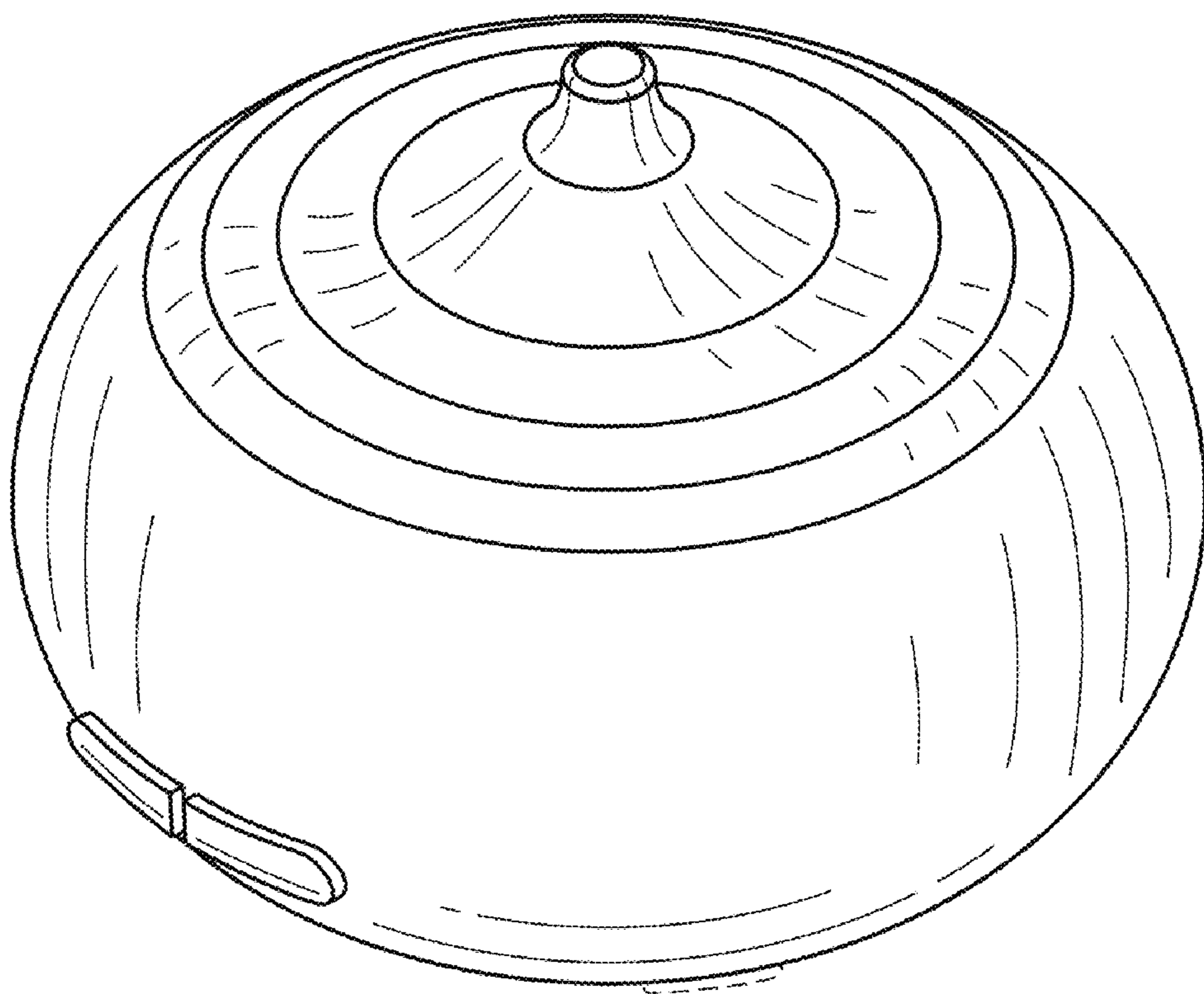
8,196,903 B2 \* 6/2012 Jorgensen ..... A61L 9/14  
239/102.1  
D676,540 S \* 2/2013 Sanders ..... D23/366  
D685,896 S \* 7/2013 Niedermann ..... D23/356  
D752,807 S \* 3/2016 Young ..... D23/362  
D753,279 S \* 4/2016 Li ..... D23/366  
D754,832 S \* 4/2016 Seo ..... D23/365  
D758,557 S \* 6/2016 Jih ..... D23/355  
D760,885 S \* 7/2016 Lin ..... D23/366  
D772,391 S \* 11/2016 Zimmerli ..... D23/366

\* cited by examiner  
*Primary Examiner* — David Muller  
(74) *Attorney, Agent, or Firm* — Justin Lampel

(57) **CLAIM**  
The ornamental design for incensing humidifier, as shown and described.

**DESCRIPTION**  
FIG. 1 is a perspective view of an incensing humidifier showing my new design;  
FIG. 2 is a front elevational view thereof;  
FIG. 3 is a rear elevational view thereof;  
FIG. 4 is a right side view thereof;  
FIG. 5 is a left side view thereof;  
FIG. 6 is a bottom plan view thereof; and,  
FIG. 7 is a top plan view thereof.  
The features shown in broken lines depict environmental structure only and form no part of the claimed design.

**1 Claim, 4 Drawing Sheets**



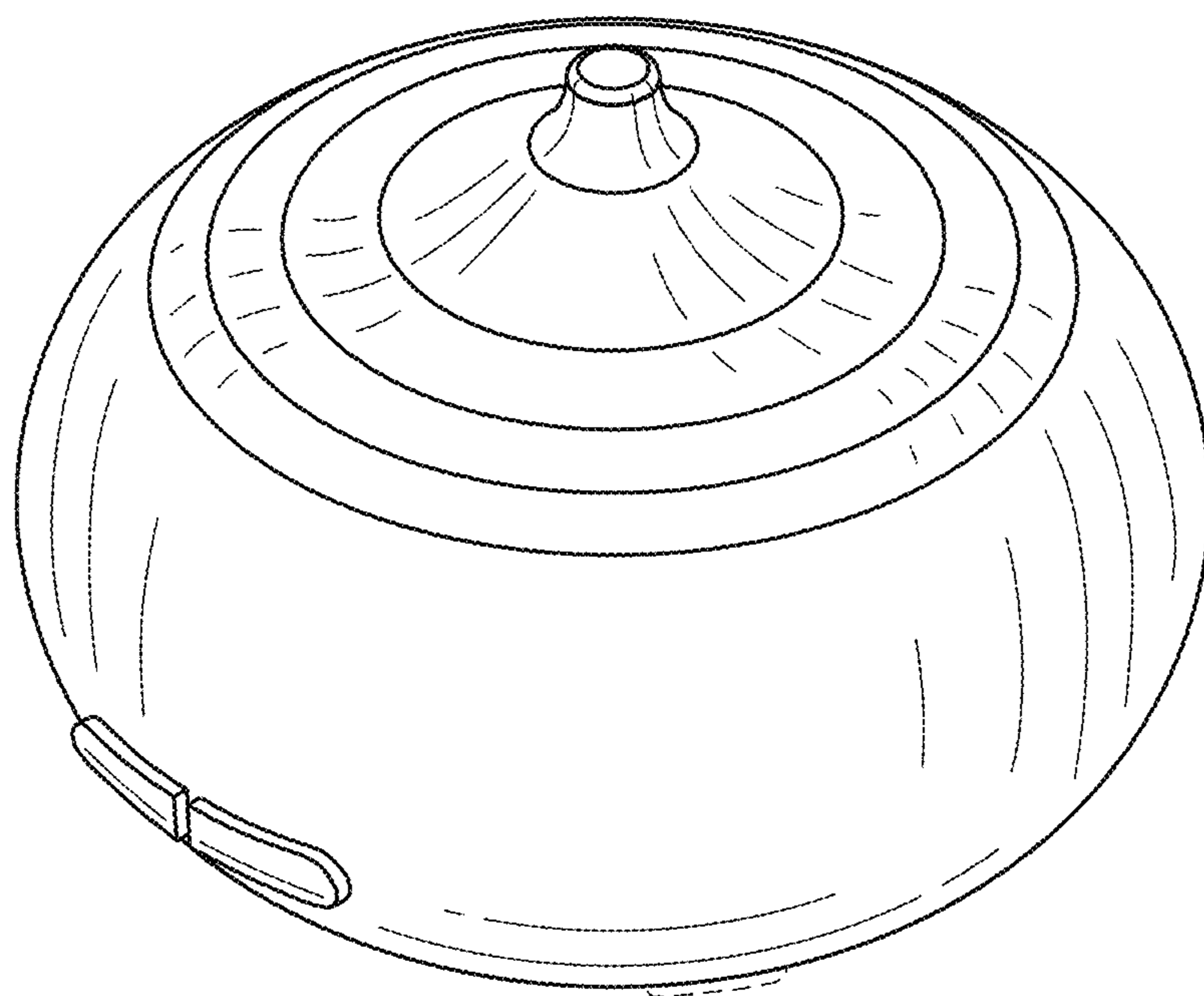


FIG. 1

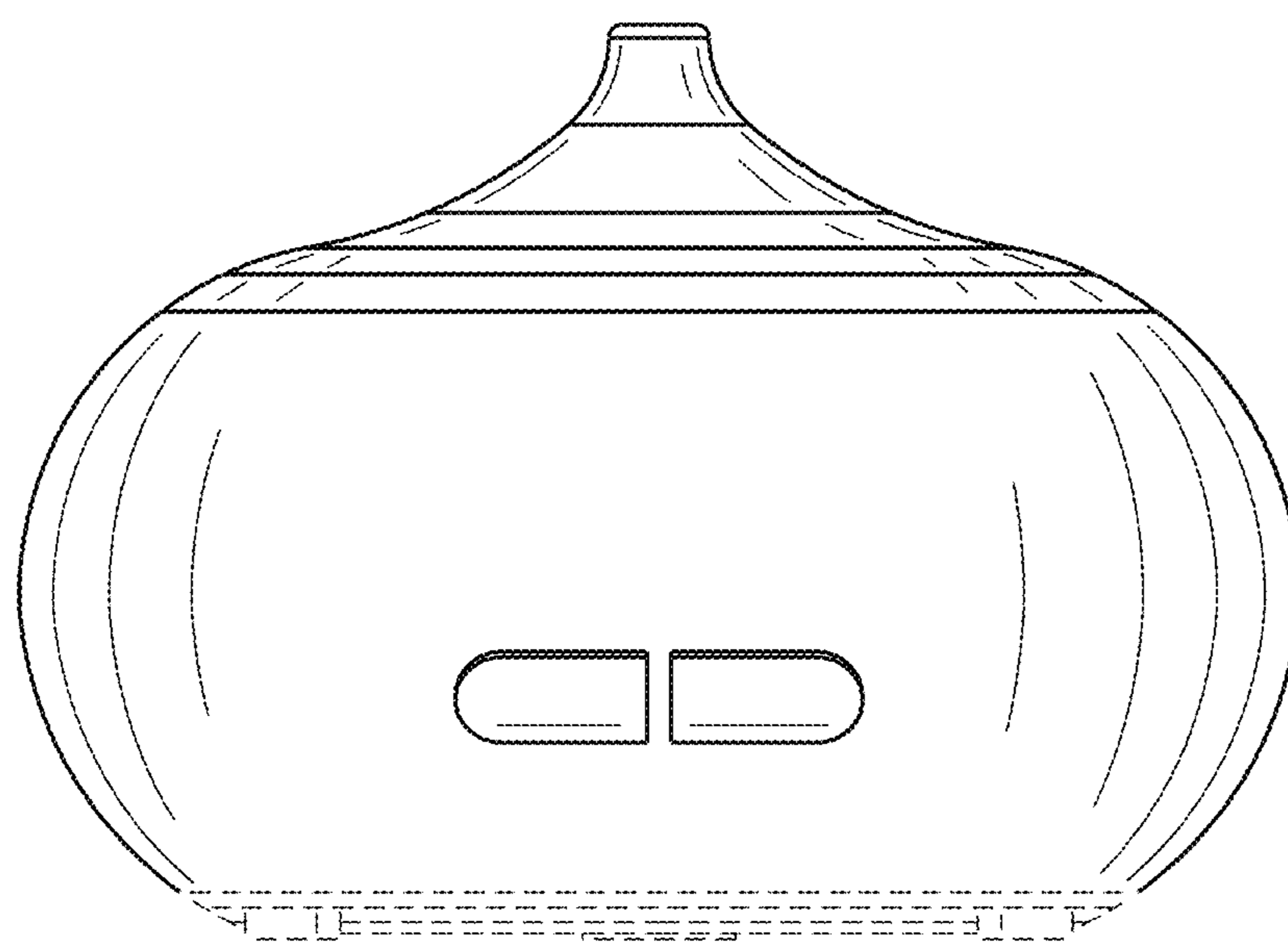


FIG. 2

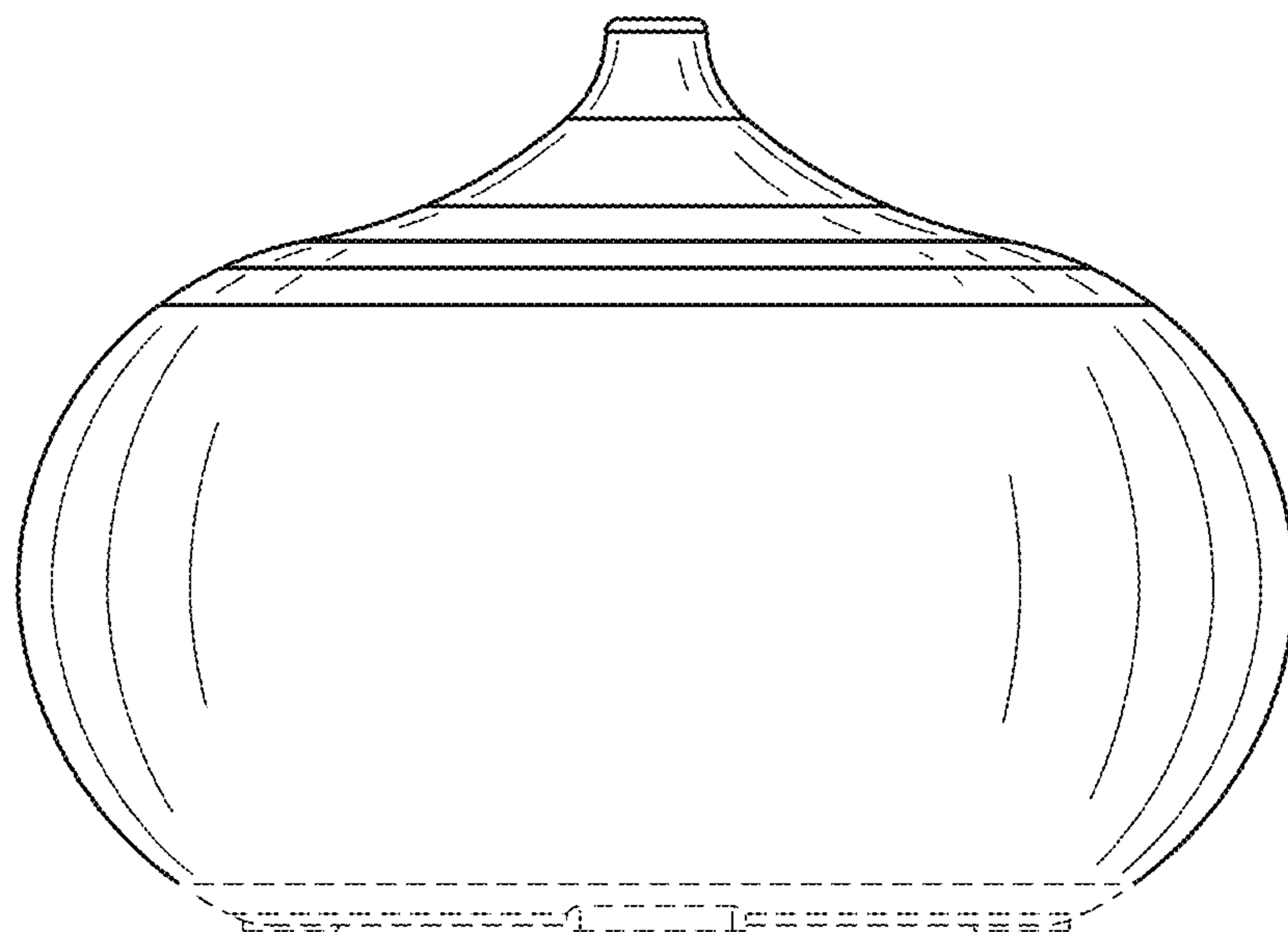


FIG. 3

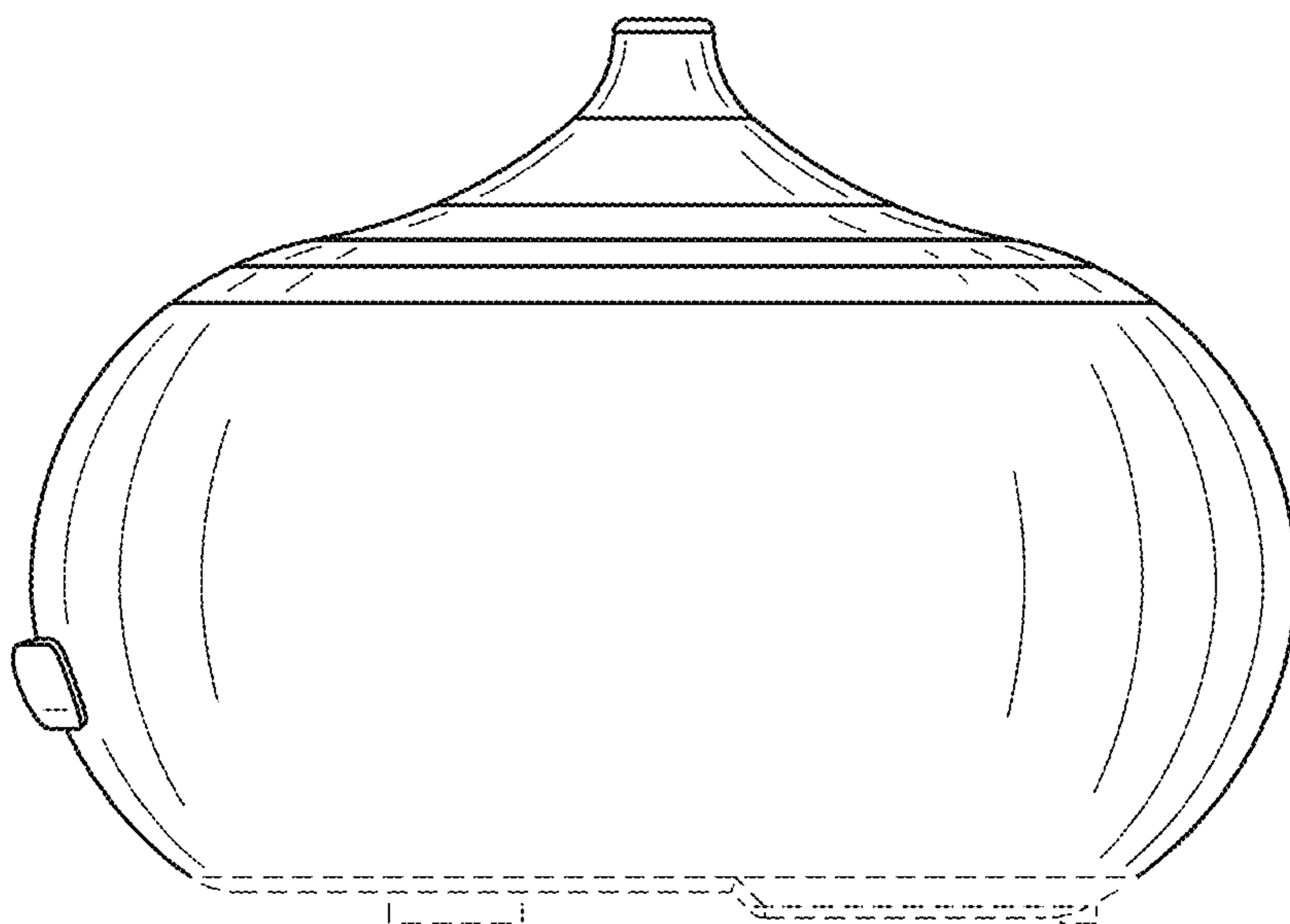


FIG. 4

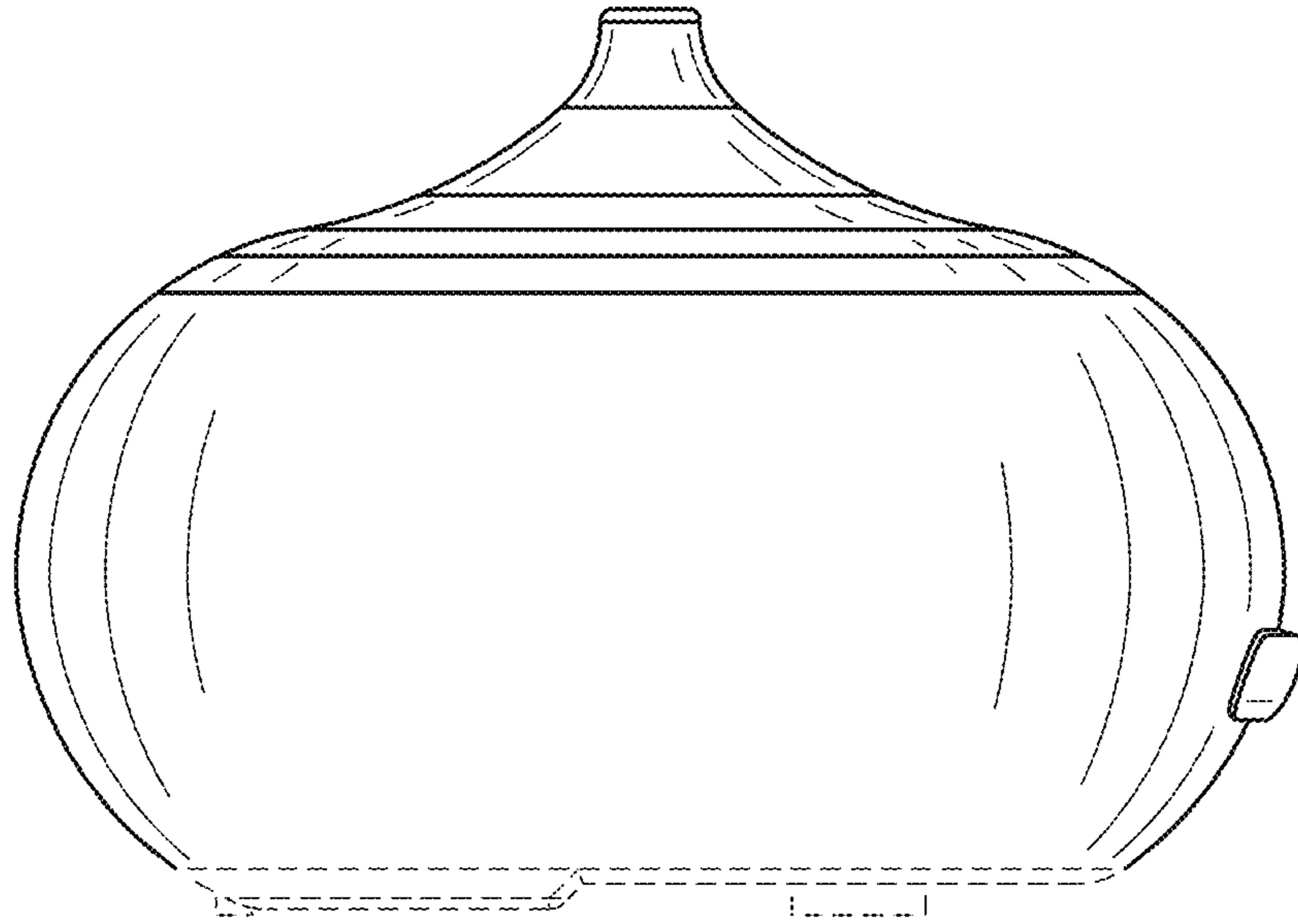


FIG. 5

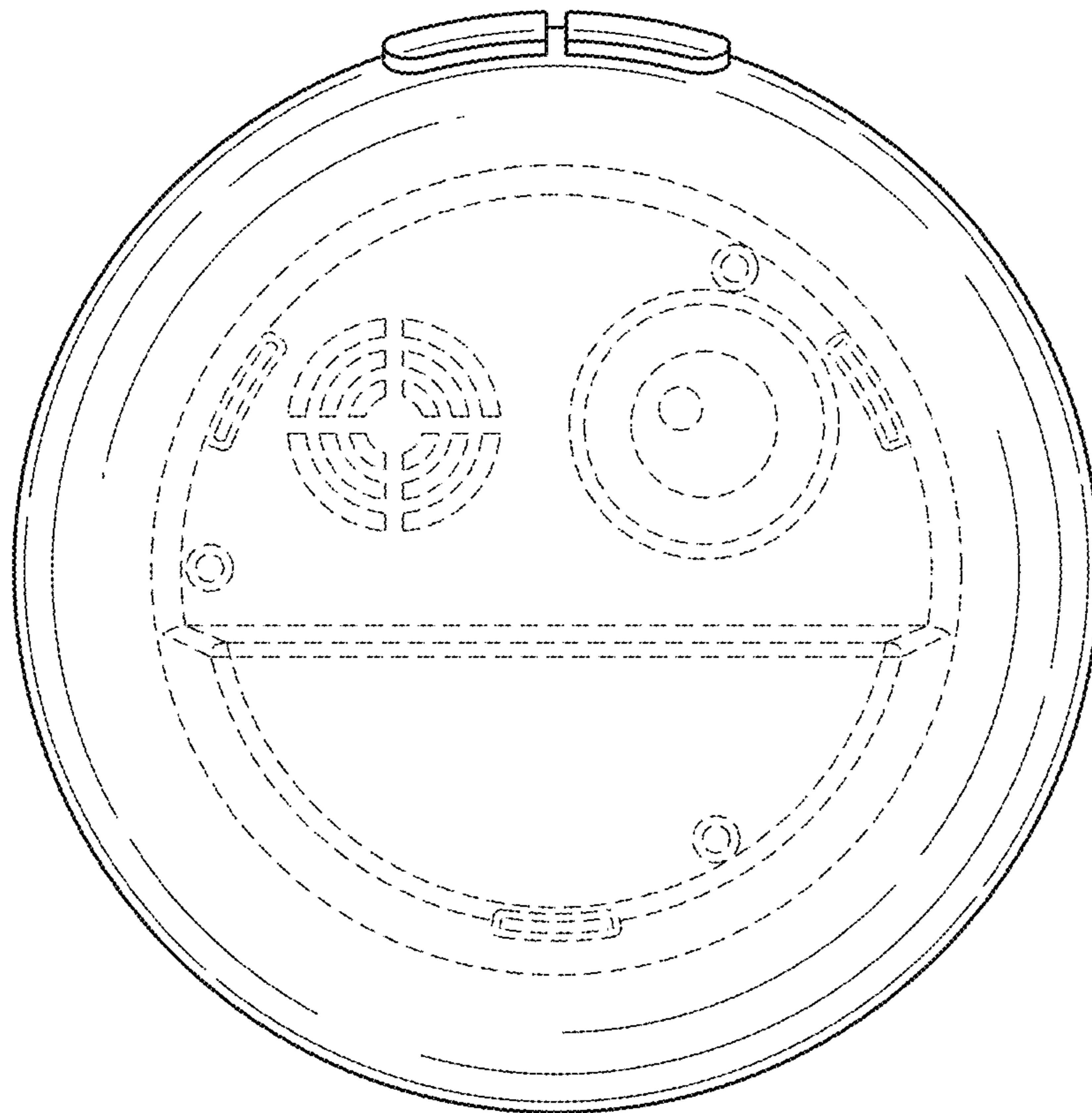


FIG. 6



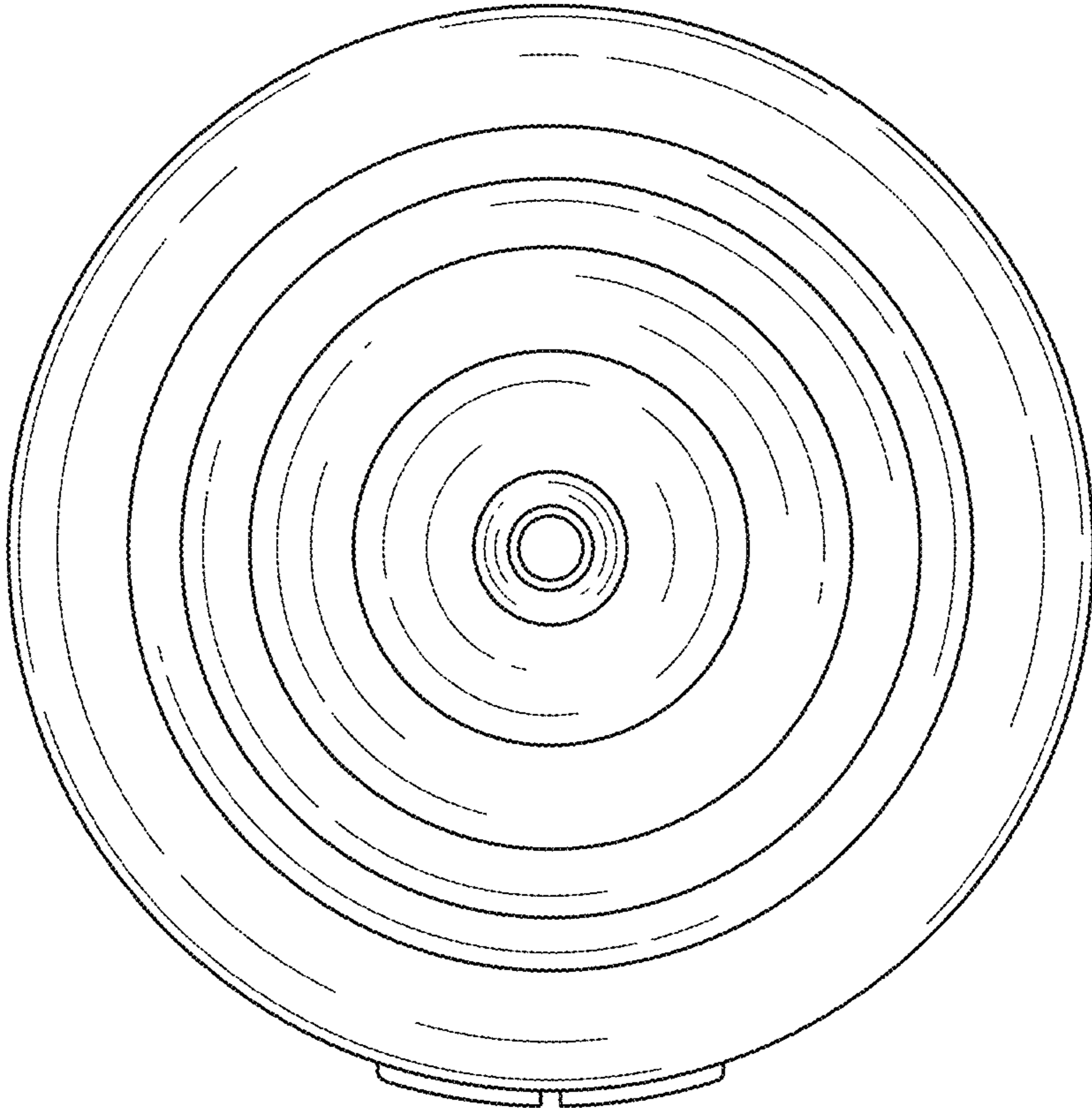


FIG. 7