



US00D811569S

(12) **United States Design Patent**
Fujioka et al.

(10) **Patent No.:** **US D811,569 S**
(45) **Date of Patent:** **** Feb. 27, 2018**

(54) **AIR CONDITIONER**

(71) Applicant: **FUJITSU GENERAL LIMITED**,
Kawasaki-shi, Kanagawa (JP)

(72) Inventors: **Mitsuo Fujioka**, Kawasaki (JP);
Natsuko Sato, Kawasaki (JP)

(73) Assignee: **FUJITSU GENERAL LIMITED**,
Kawasaki-shi, Kanagawa (JP)

(**) Term: **15 Years**

(21) Appl. No.: **29/598,276**

(22) Filed: **Mar. 24, 2017**

(30) **Foreign Application Priority Data**

Sep. 27, 2016 (JP) 2016-020635

(51) **LOC (11) Cl.** **23-04**

(52) **U.S. Cl.**
USPC **D23/351**

(58) **Field of Classification Search**

USPC D23/333, 335, 341, 342, 351, 353, 354,
D23/355, 356, 359, 364, 365, 370, 385,
D23/386, 388, 393

CPC F24F 1/00; F24F 1/0007; F24F 1/02; F24F
1/08; F24F 1/42; F24F 1/56; F24F 1/60;
F24F 3/044; F24F 3/048; F24F 3/16;
F24F 7/00; F24F 7/04; F24F 12/001;
F24F 12/006

See application file for complete search history.

(56) **References Cited**

U.S. PATENT DOCUMENTS

D446,292 S * 8/2001 Asakura D23/351
D580,536 S * 11/2008 Oh D23/351

D584,389 S * 1/2009 Oh D23/351
D612,469 S * 3/2010 Nagahori D23/351
D621,921 S * 8/2010 Ishida D23/351
D681,180 S * 4/2013 Chouji D23/351
D720,059 S * 12/2014 Niki D23/351
D720,060 S * 12/2014 Murai D23/351
D720,062 S * 12/2014 Guojie D23/351

* cited by examiner

Primary Examiner — George D. Kirschbaum

Assistant Examiner — Natasha Vujcic

(74) *Attorney, Agent, or Firm* — Sughrue Mion, PLLC

(57) **CLAIM**

The ornamental design for an air conditioner, as shown and described.

DESCRIPTION

FIG. 1 is a perspective view of front, right and bottom sides of an air conditioner showing our new design;

FIG. 2 is a front view thereof;

FIG. 3 is a left side view thereof;

FIG. 4 is a right side view thereof;

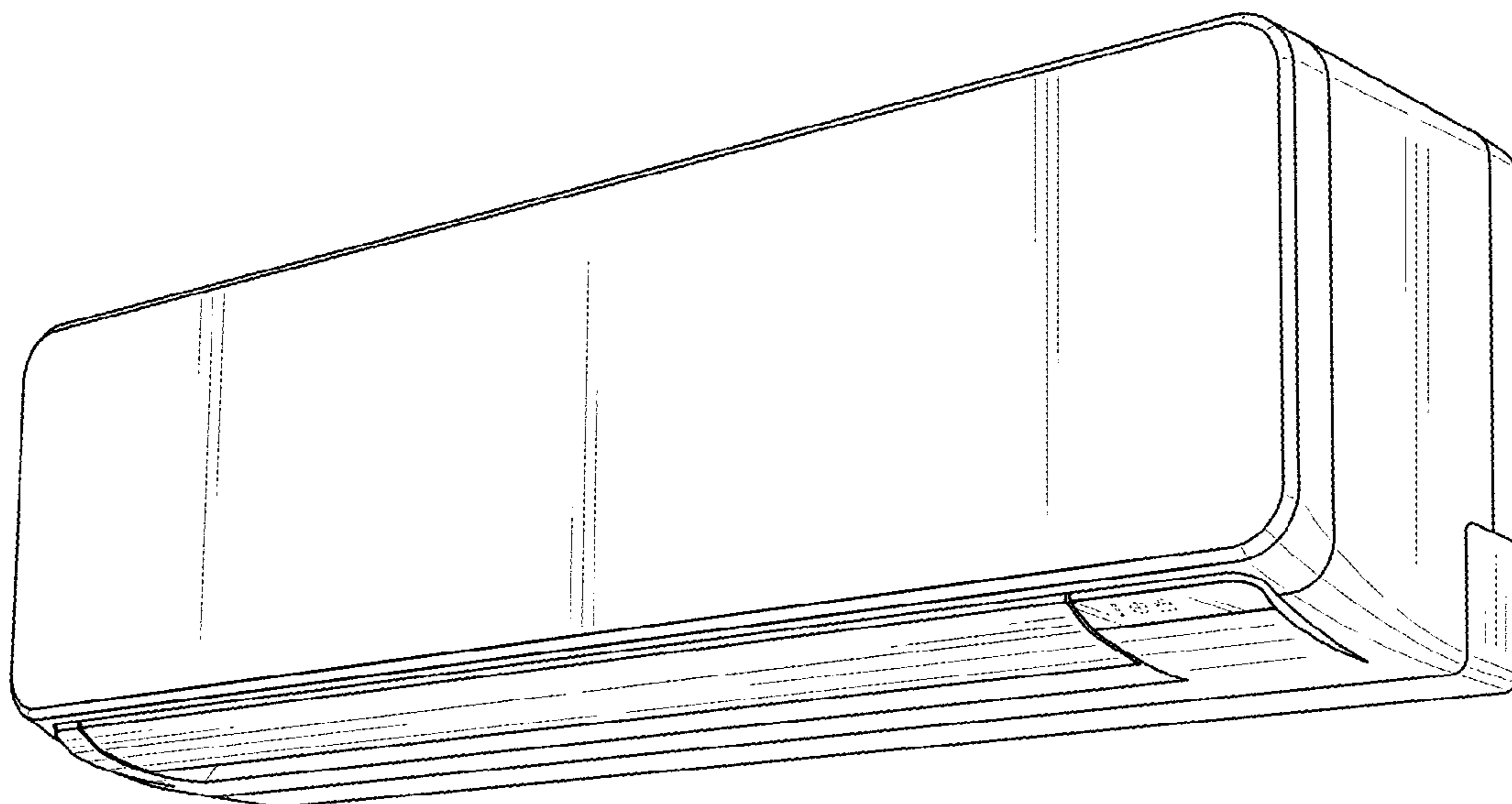
FIG. 5 is a top view thereof;

FIG. 6 is a bottom view thereof; and,

FIG. 7 is a perspective view showing an operating state thereof.

A rear view is omitted, since it is unornamental and forms no part of the subject matter of the claimed design. Symbol and Logo on the display part shown in the broken lines form no part of the claimed design.

1 Claim, 5 Drawing Sheets



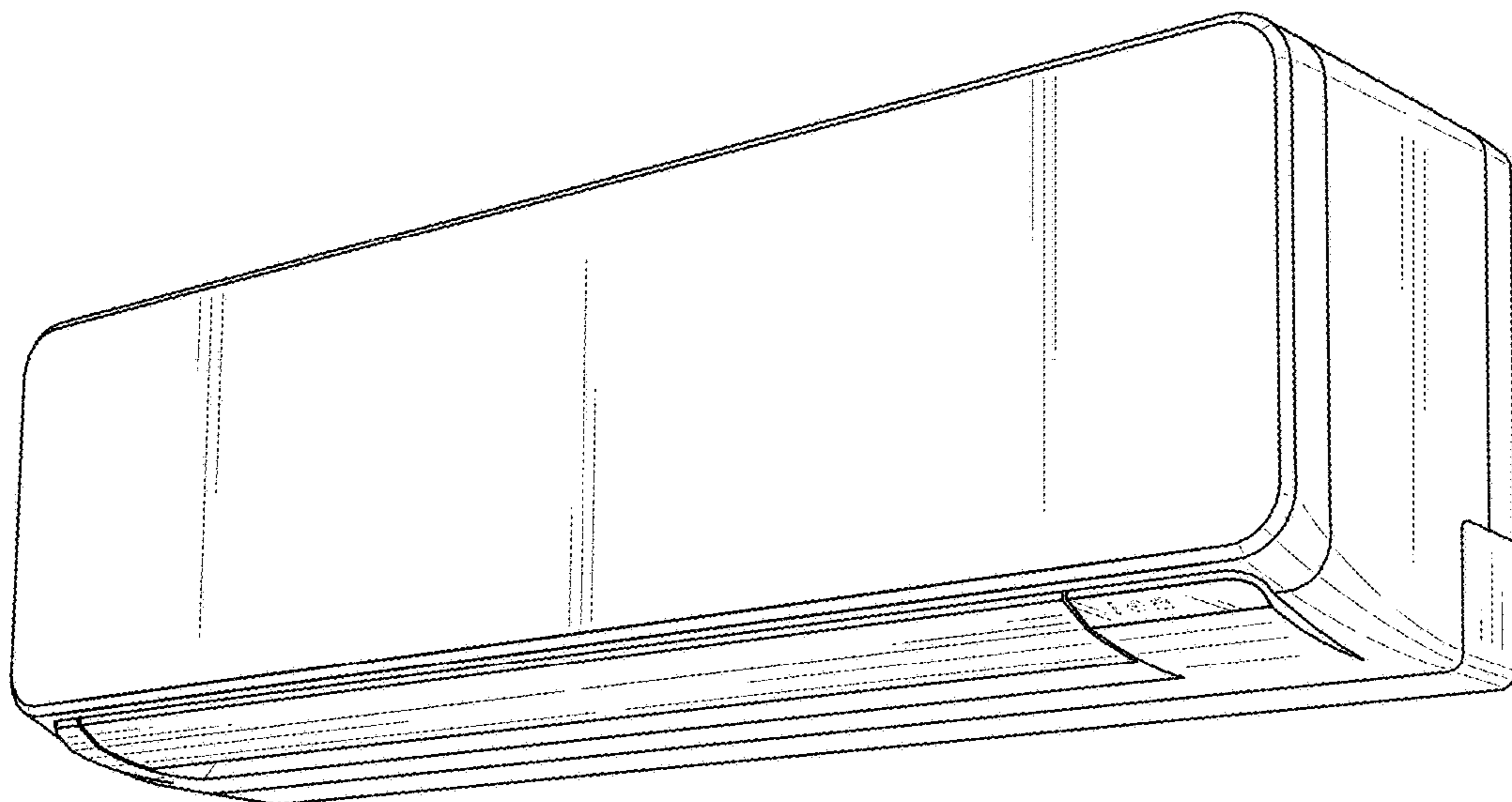


FIG. 1

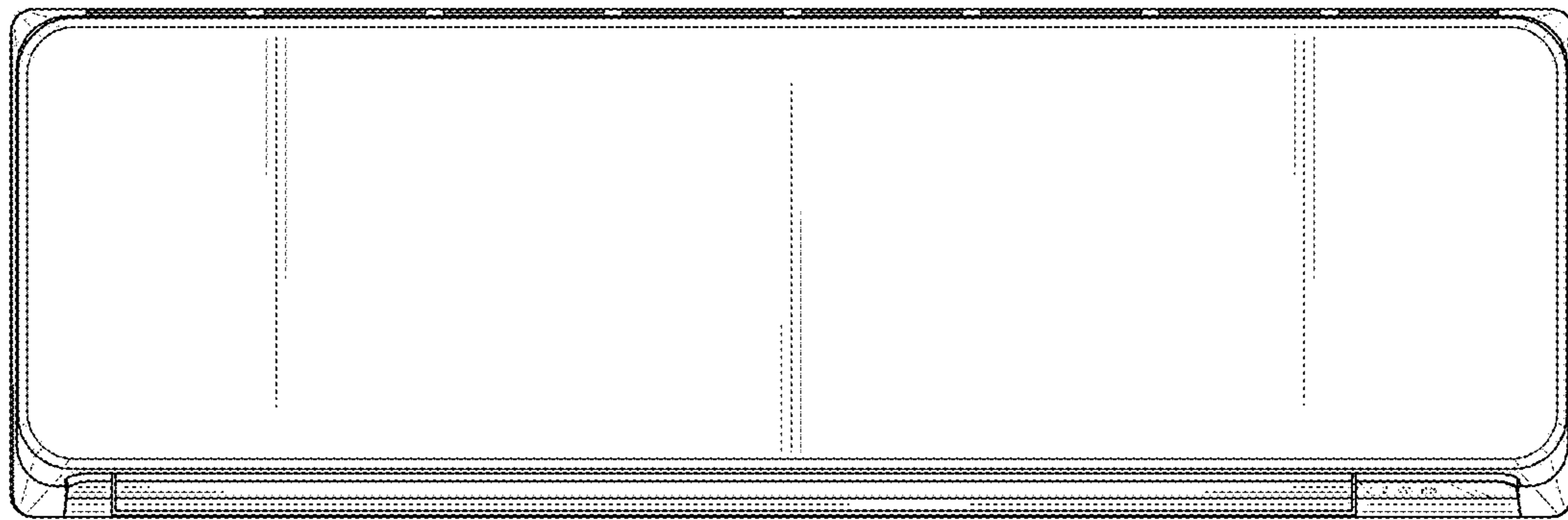


FIG. 2

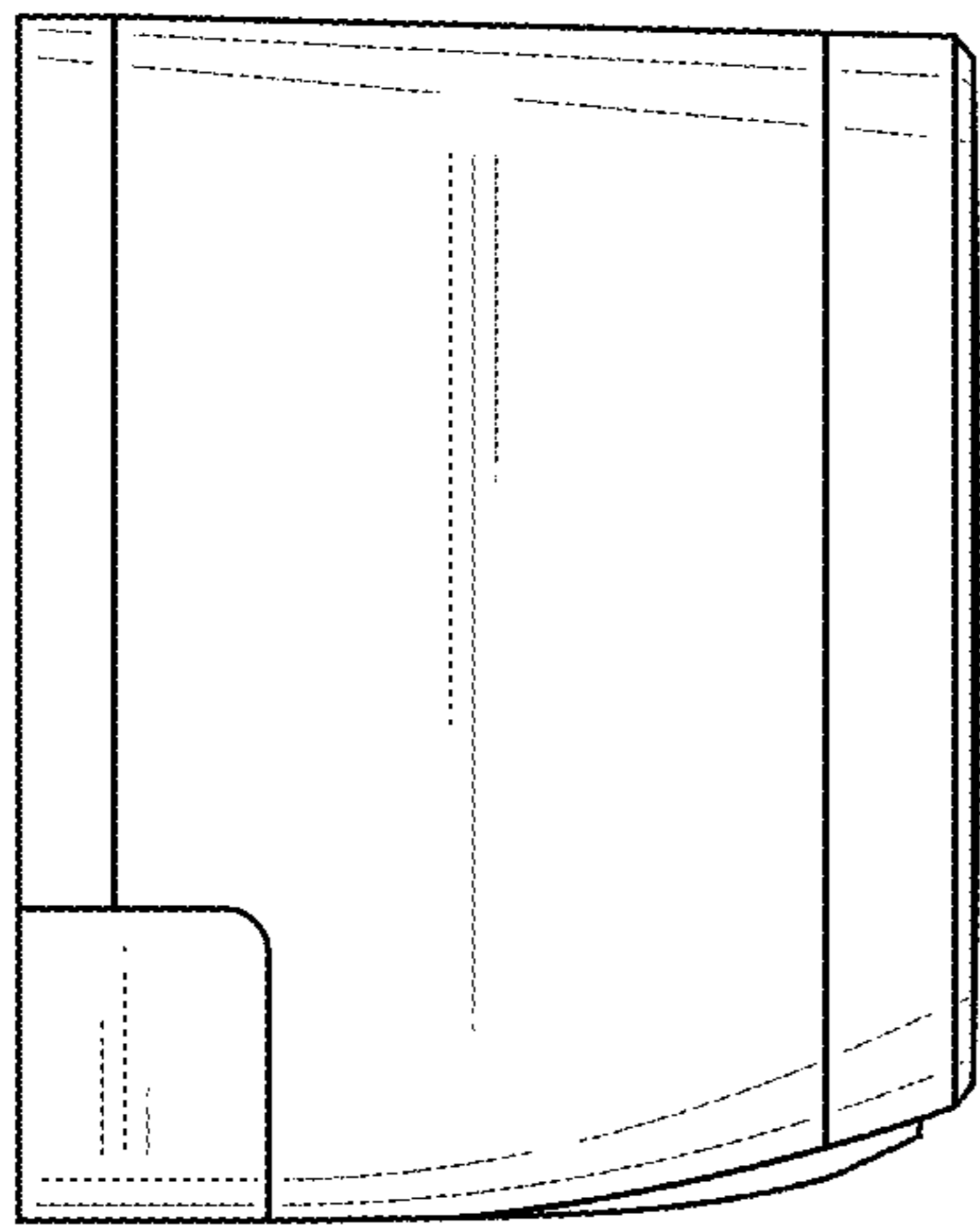


FIG. 3

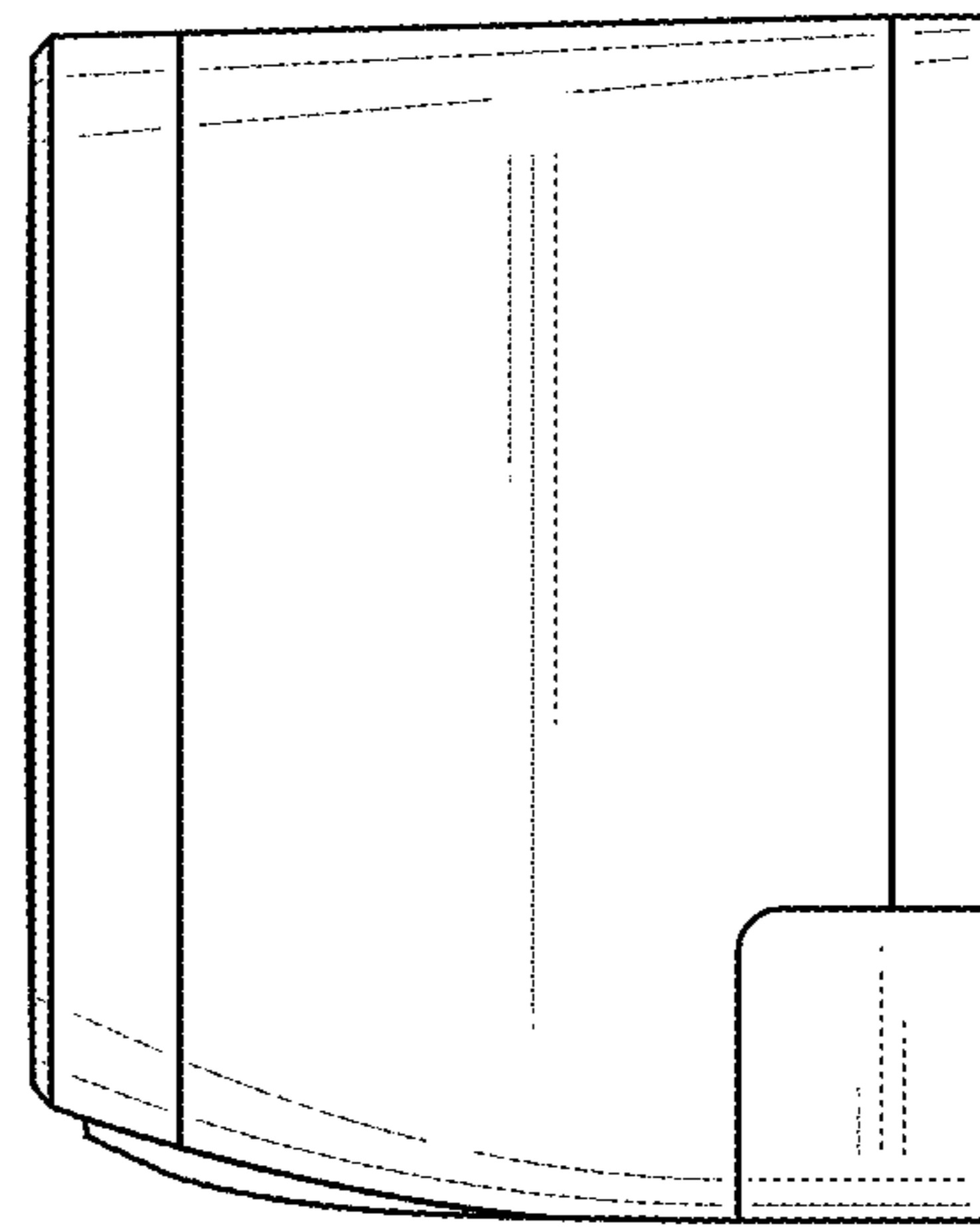


FIG. 4

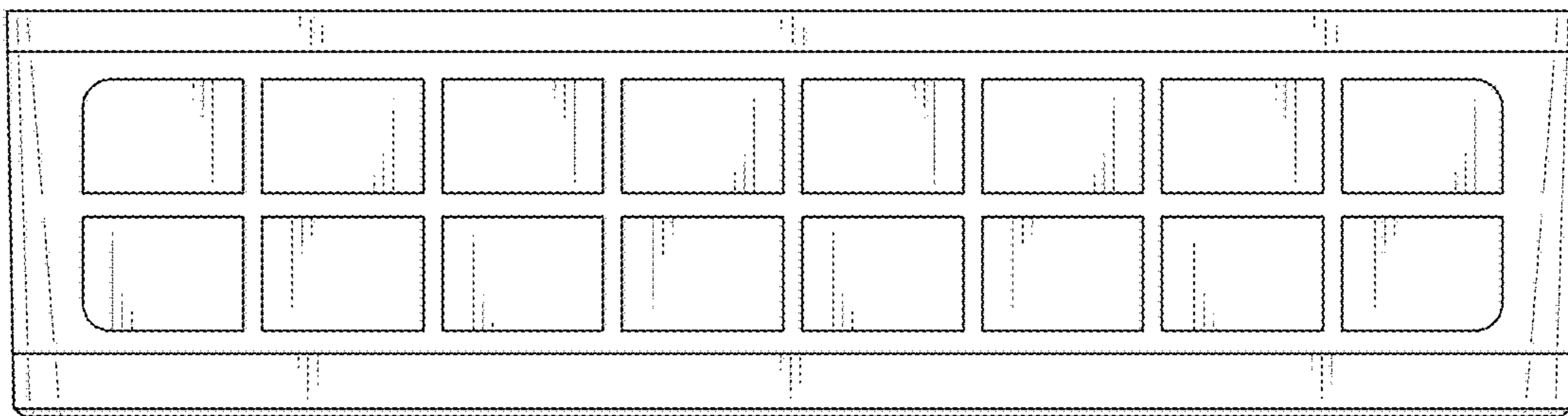


FIG. 5

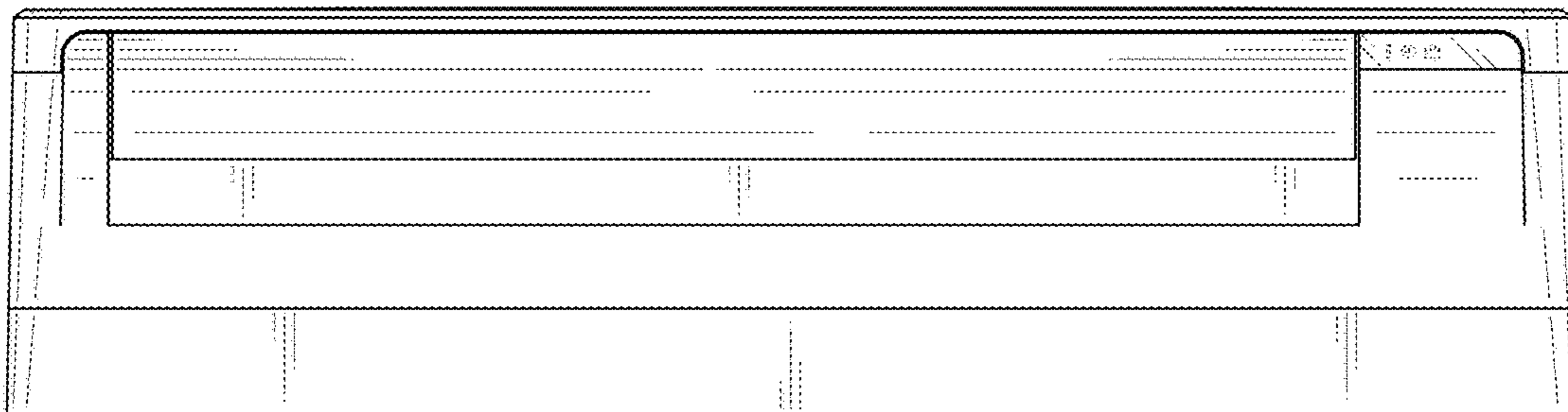


FIG. 6

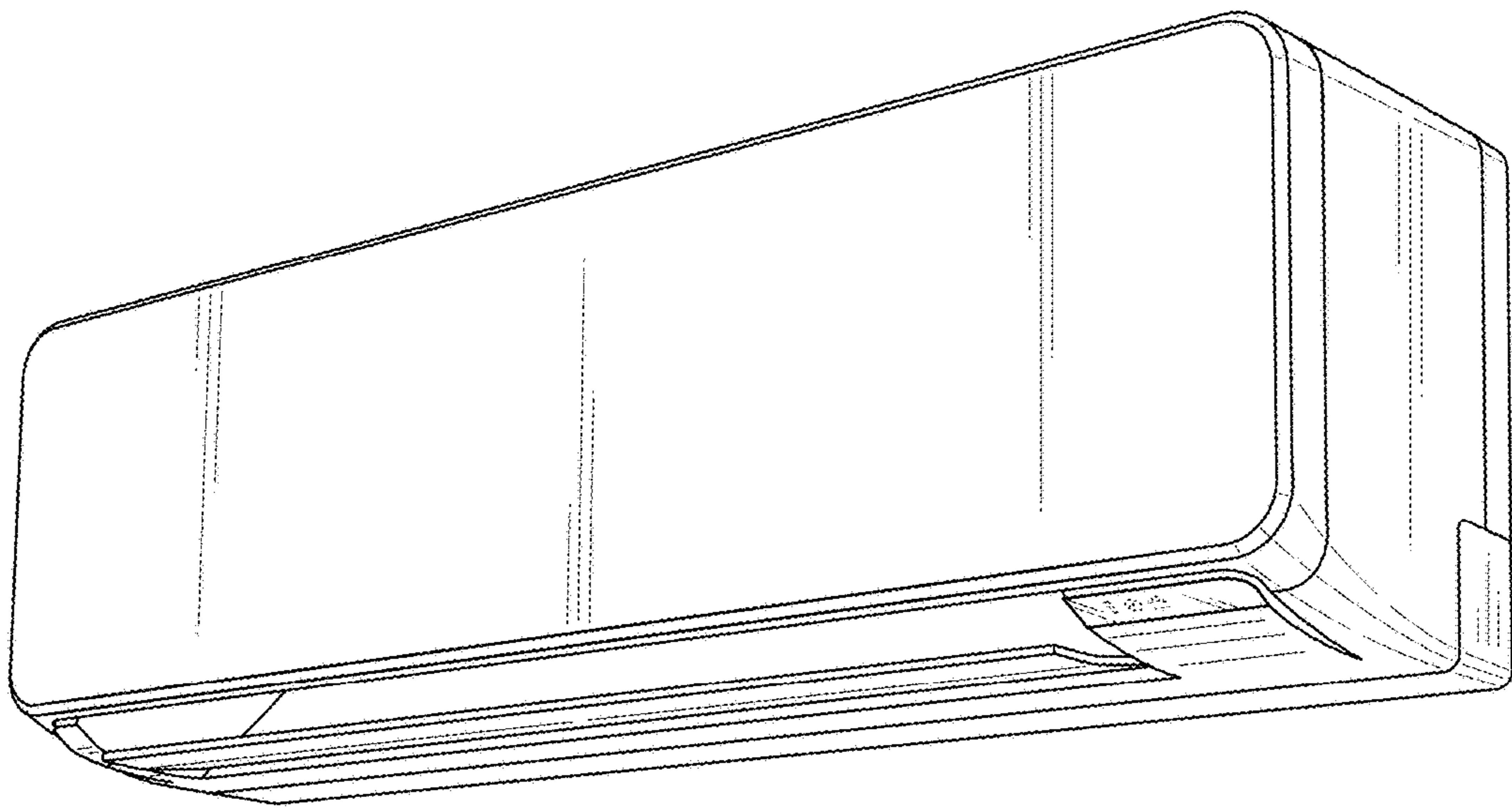


FIG. 7