



US00D811568S

(12) **United States Design Patent** (10) **Patent No.:** **US D811,568 S**
Terasaki et al. (45) **Date of Patent:** **** Feb. 27, 2018**

(54) **AIR CONDITIONER**
(71) Applicant: **Toshiba Carrier Corporation,**
Kanagawa (JP)
(72) Inventors: **Akira Terasaki,** Fuji (JP); **Takeshi Ozaki,** Fuji (JP); **Atsushi Tanabe,** Fuji (JP); **Takanori Hino,** Fuji (JP)
(73) Assignee: **TOSHIBA CARRIER CORPORATION,** Kawasaki-shi (JP)
(**) Term: **15 Years**
(21) Appl. No.: **29/574,036**
(22) Filed: **Aug. 11, 2016**
(30) **Foreign Application Priority Data**
Feb. 12, 2016 (JP) 2016-003019
Feb. 12, 2016 (JP) 2016-003020
(51) **LOC (11) Cl.** **23-04**
(52) **U.S. Cl.**
USPC **D23/351**
(58) **Field of Classification Search**
USPC D23/333, 335, 341, 342, 351, 353, 354,
D23/355, 356, 359, 364, 365, 370, 385,
D23/386, 388, 393
CPC F24F 1/00; F24F 1/0007; F24F 1/02; F24F
1/08; F24F 1/42; F24F 1/56; F24F 1/60;
F24F 3/044; F24F 3/048; F24F 3/16;
F24F 7/00; F24F 7/04; F24F 12/001;
F24F 12/006
See application file for complete search history.

D465,453 S * 11/2002 Chan D13/110
D559,973 S * 1/2008 Rabito D23/412
D603,948 S * 11/2009 Ishihara D23/351
D718,419 S * 11/2014 Borg D23/233

(Continued)

Primary Examiner — George D. Kirschbaum
Assistant Examiner — Natasha Vujcic
(74) *Attorney, Agent, or Firm* — Westerman, Hattori,
Daniels & Adrian, LLP

(57) **CLAIM**

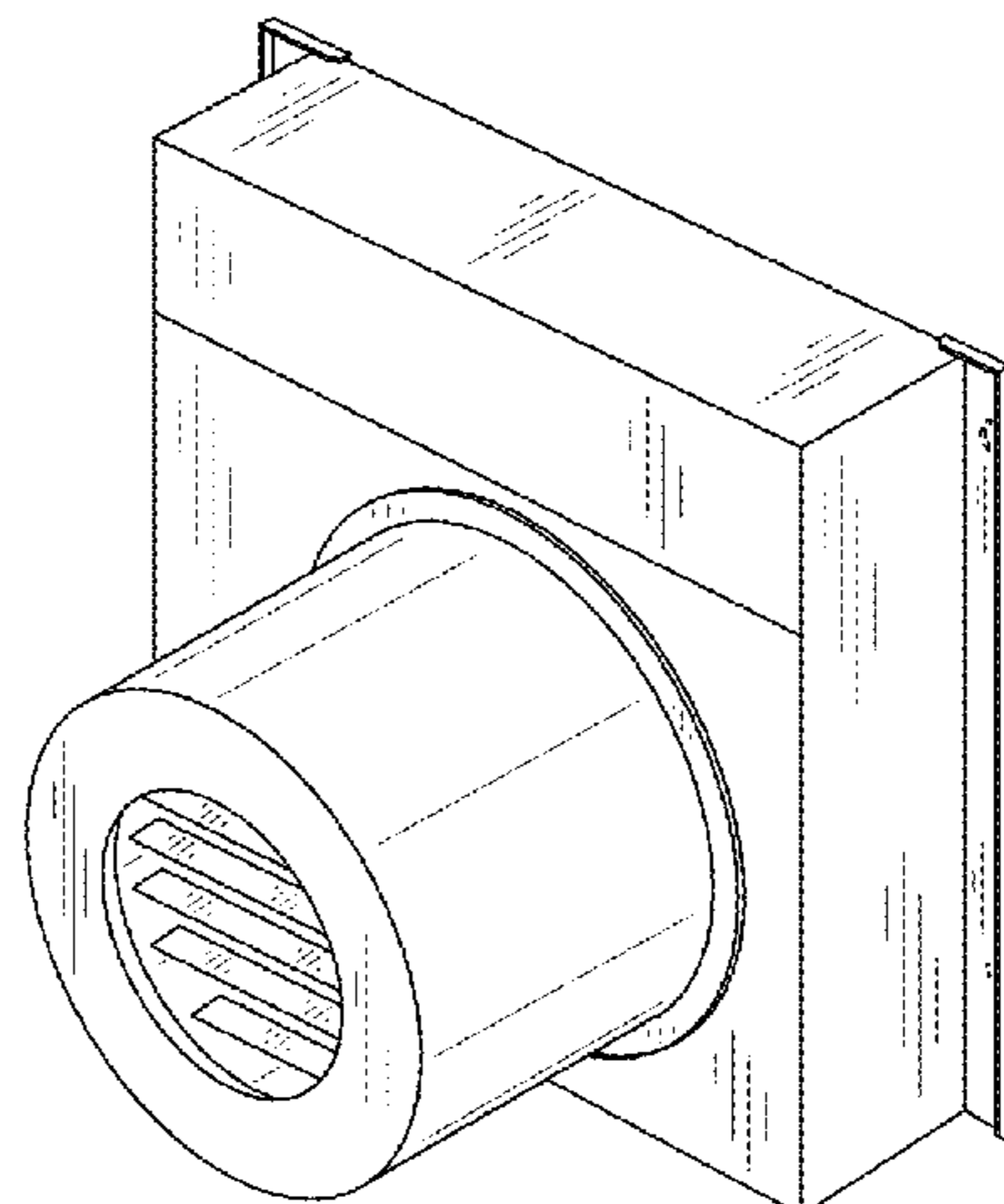
The ornamental design for an air conditioner, as shown and described.

DESCRIPTION

FIG. 1 is an isometric view of the first embodiment of an air conditioner showing our new design, showing the top, front, and right side thereof.
FIG. 2 is a front elevational view thereof.
FIG. 3 is a right side elevational view thereof.
FIG. 4 is a left side elevational view thereof.
FIG. 5 is a top plan view thereof.
FIG. 6 is a bottom plan view thereof.
FIG. 7 is a rear elevational view thereof.
FIG. 8 is a cross-sectional view thereof, taken along line 8-8 of FIG. 2.
FIG. 9 is an isometric view of the second embodiment of an air conditioner showing our new design, showing the top, front, and right side thereof.
FIG. 10 is a front elevational view thereof.
FIG. 11 is a right side elevational view thereof.
FIG. 12 is a left side elevational view thereof.
FIG. 13 is a top plan view thereof.
FIG. 14 is a bottom plan view thereof.
FIG. 15 is a rear elevational view thereof; and,
FIG. 16 is a cross-sectional view thereof, taken along line 16-16 of FIG. 10.
The broken lines in the drawings illustrate portions of the air conditioner which form no part of the claimed design.

1 Claim, 8 Drawing Sheets

(56) **References Cited**
U.S. PATENT DOCUMENTS
4,065,120 A * 12/1977 Imaizumi G03G 15/2028
118/245
D414,253 S * 9/1999 Kobayashi D23/351
D453,139 S * 1/2002 Yang D13/110



(56)

References Cited

U.S. PATENT DOCUMENTS

D767,101 S * 9/2016 Kobayashi D23/249
D776,786 S * 1/2017 Okazaki D23/209

* cited by examiner

Fig. 1

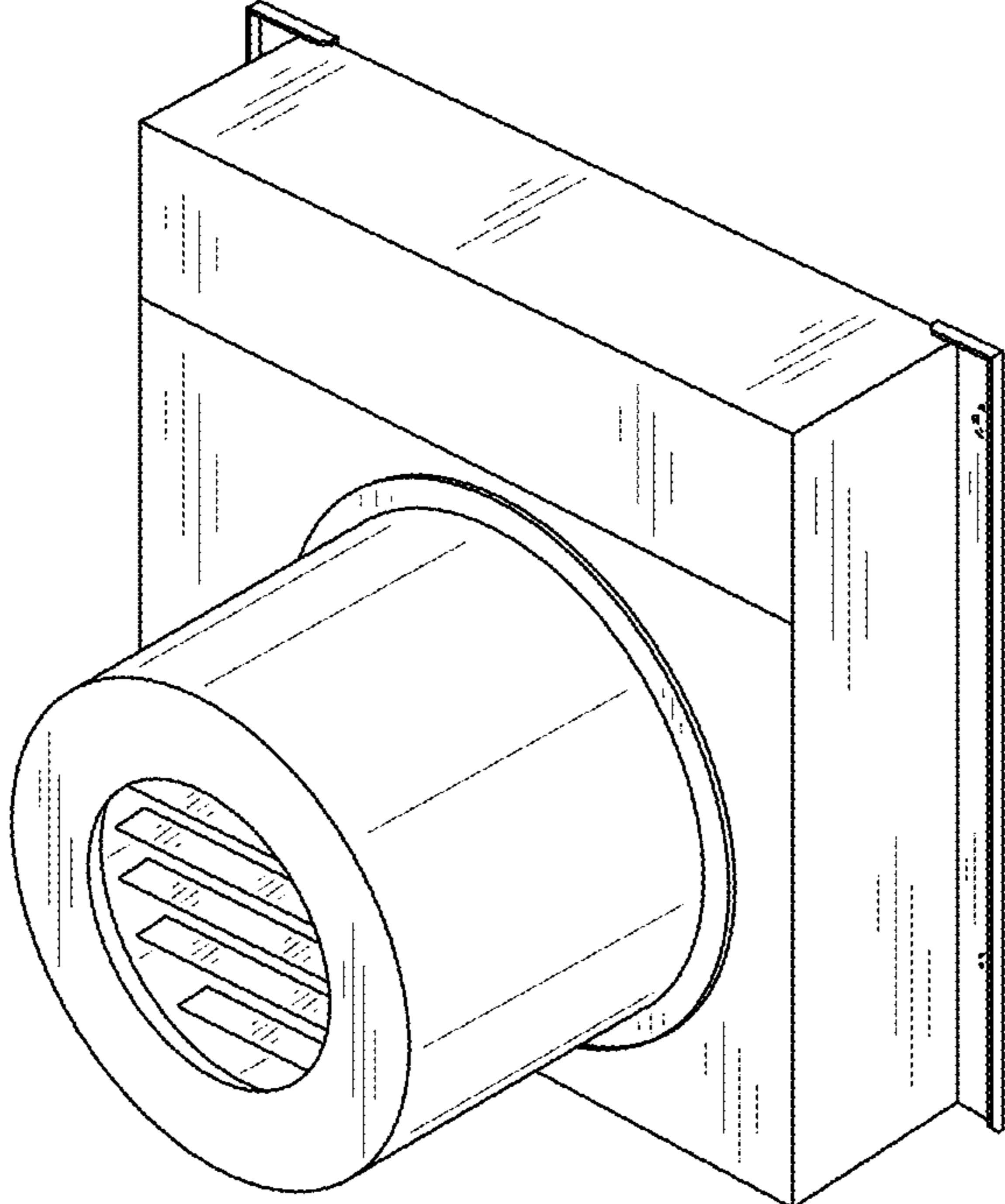
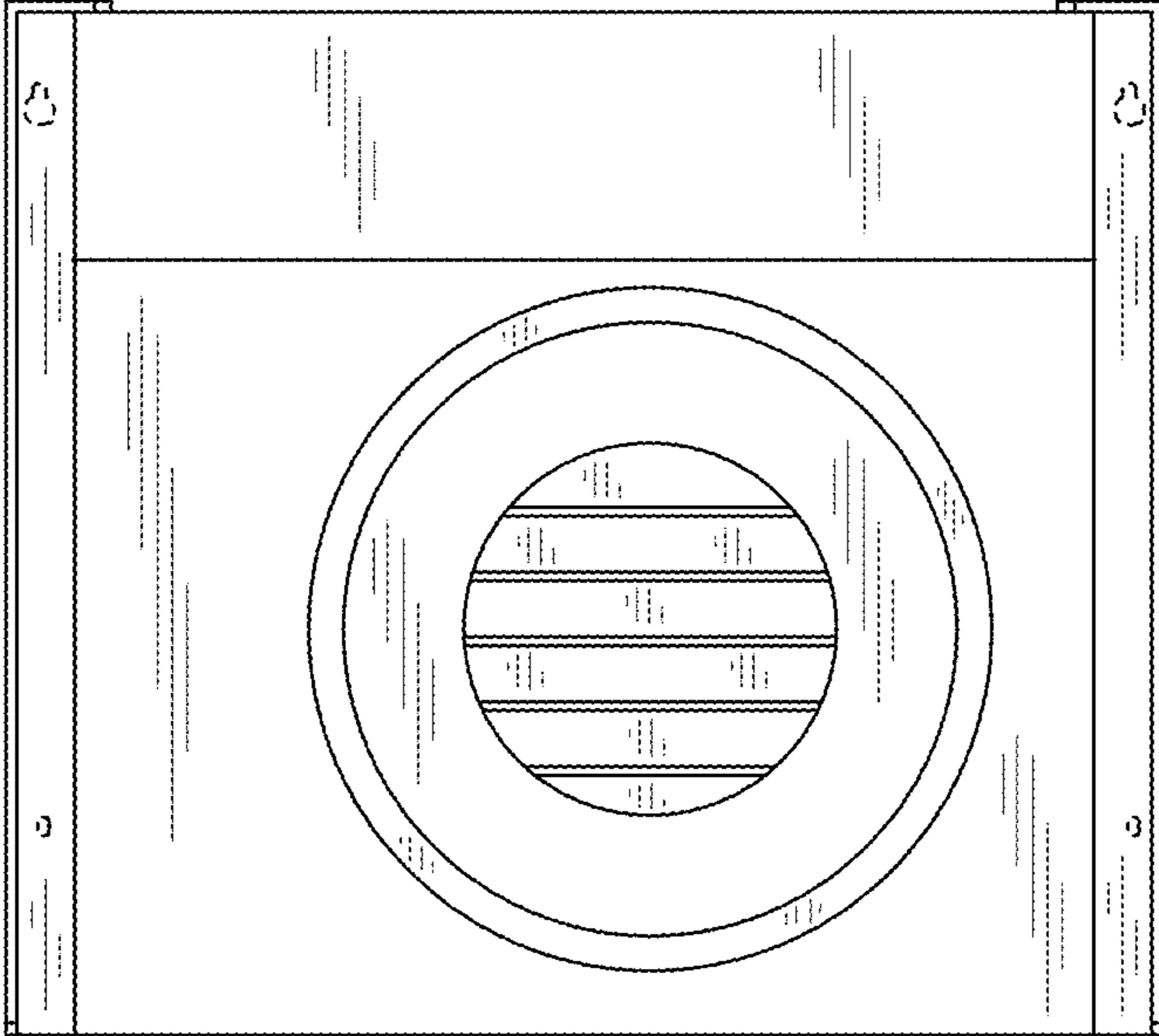


Fig. 2

8 ←



8 ←

Fig. 4

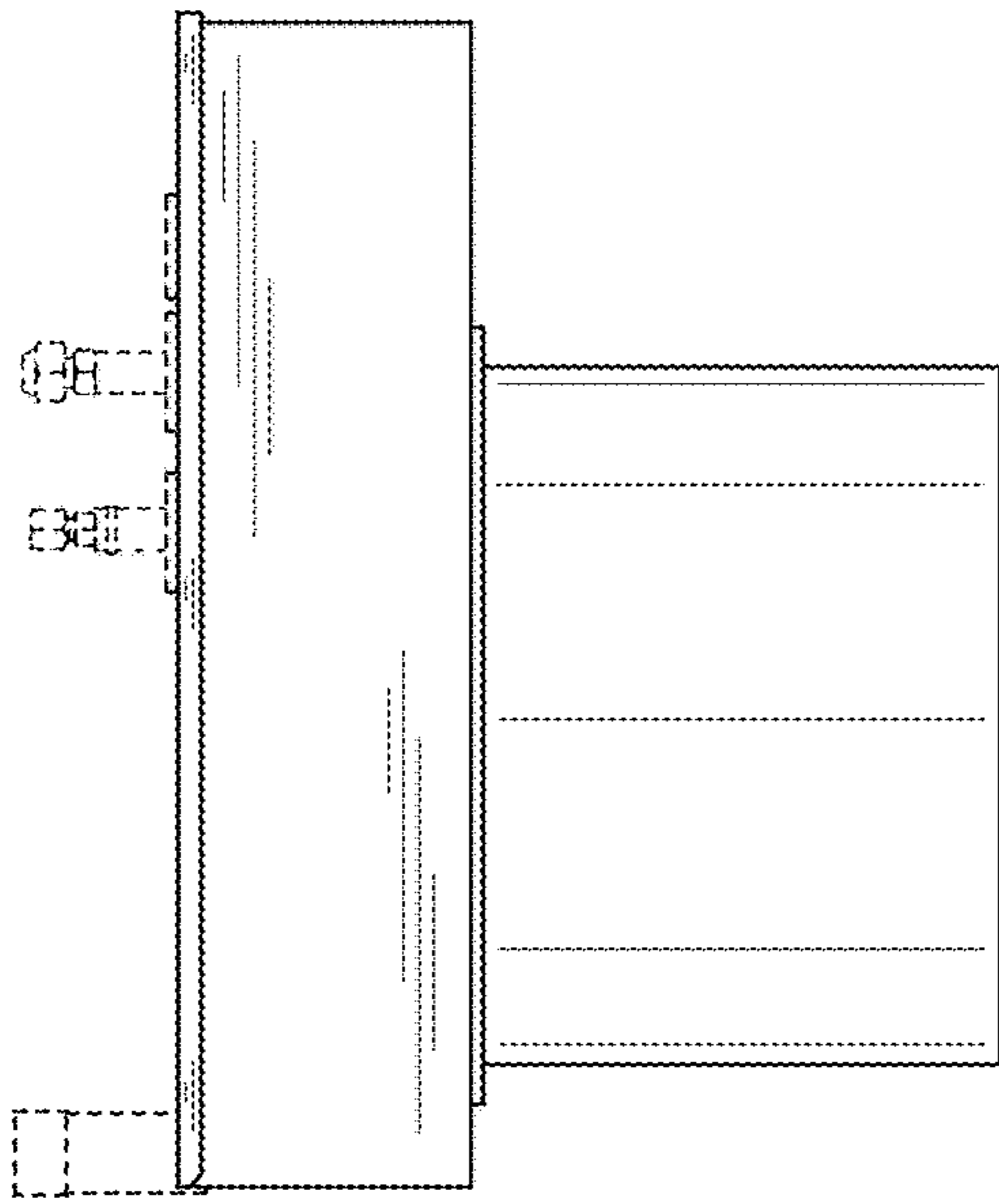


Fig. 3

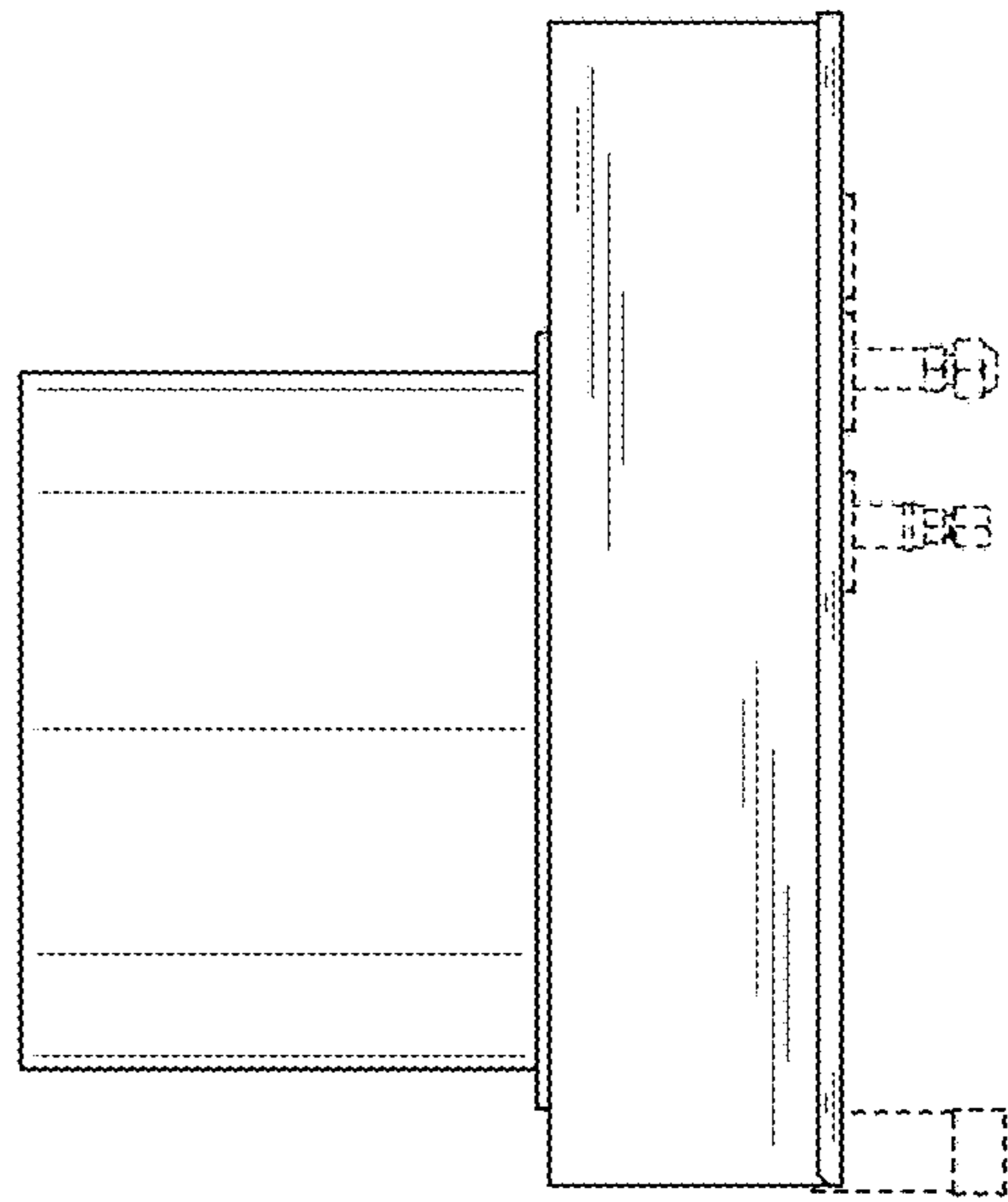


Fig. 5

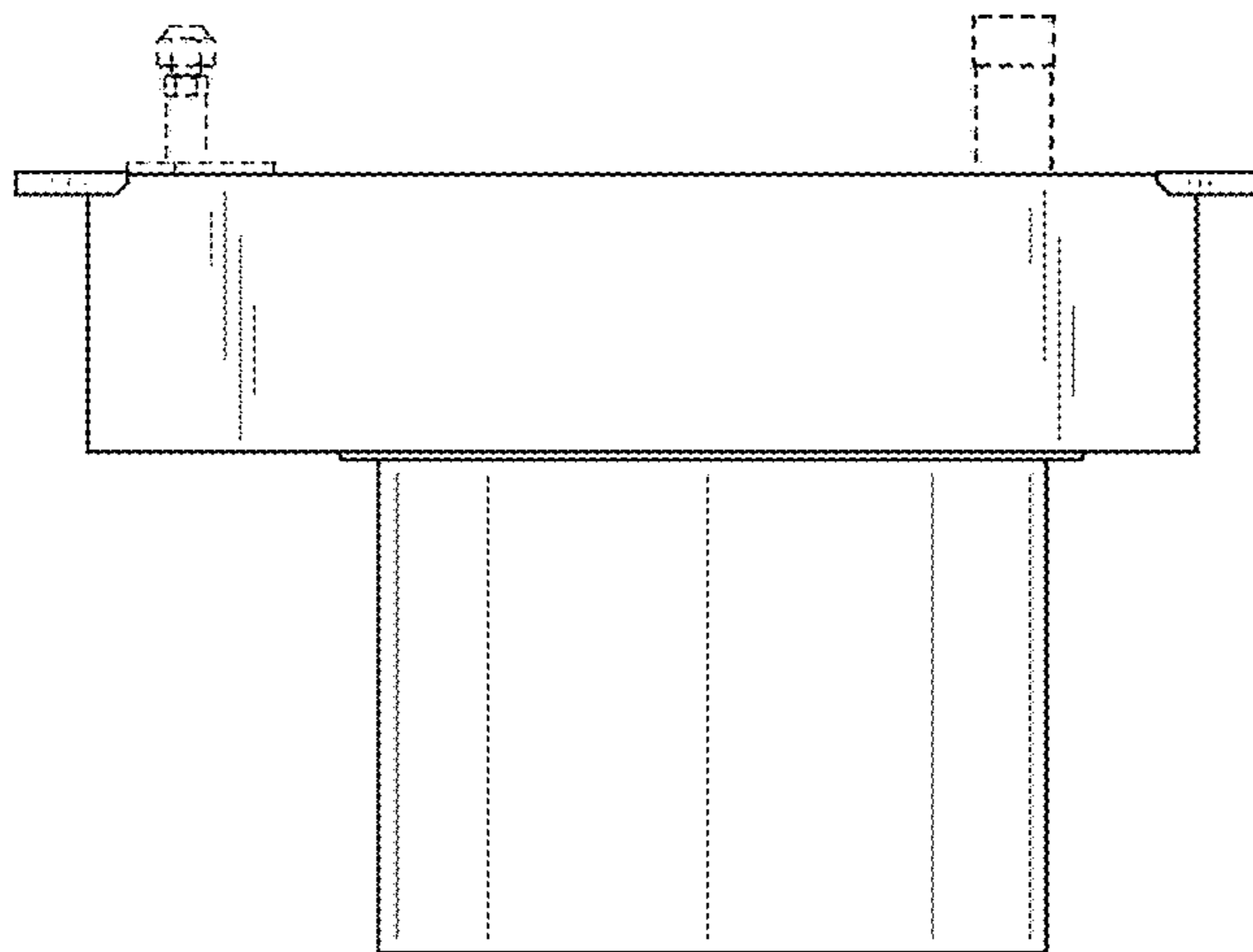


Fig. 6

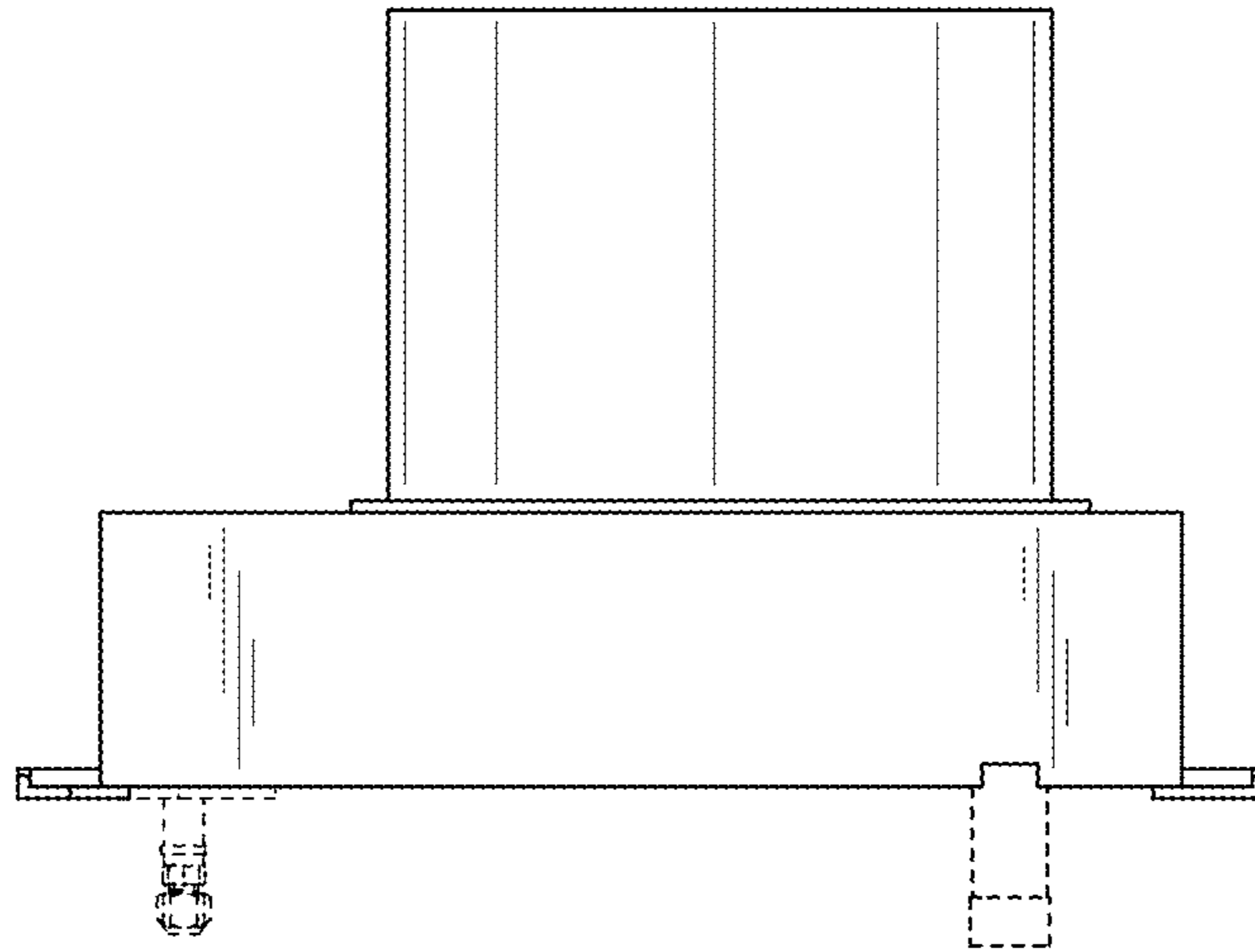


Fig. 7

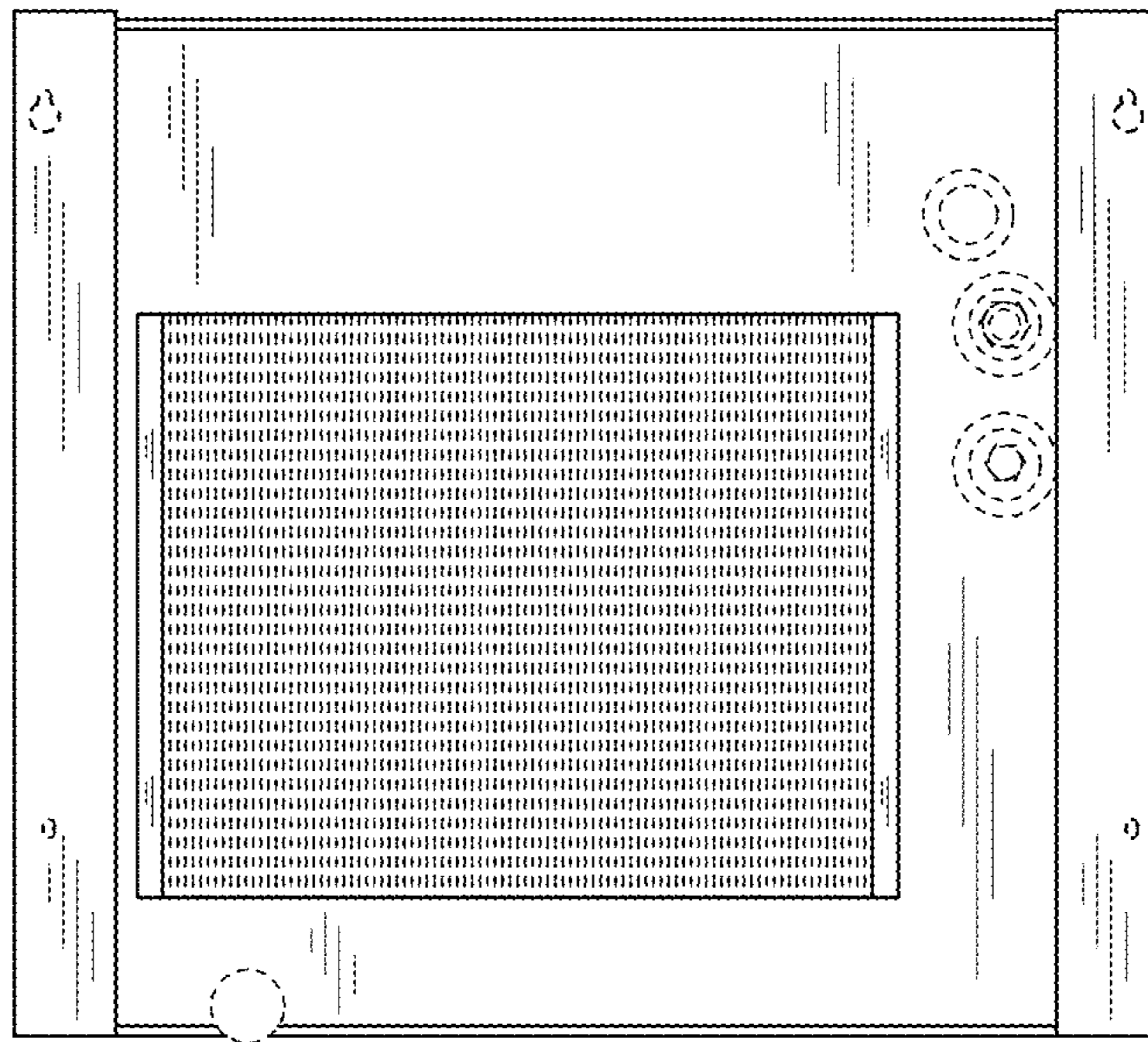


Fig. 8

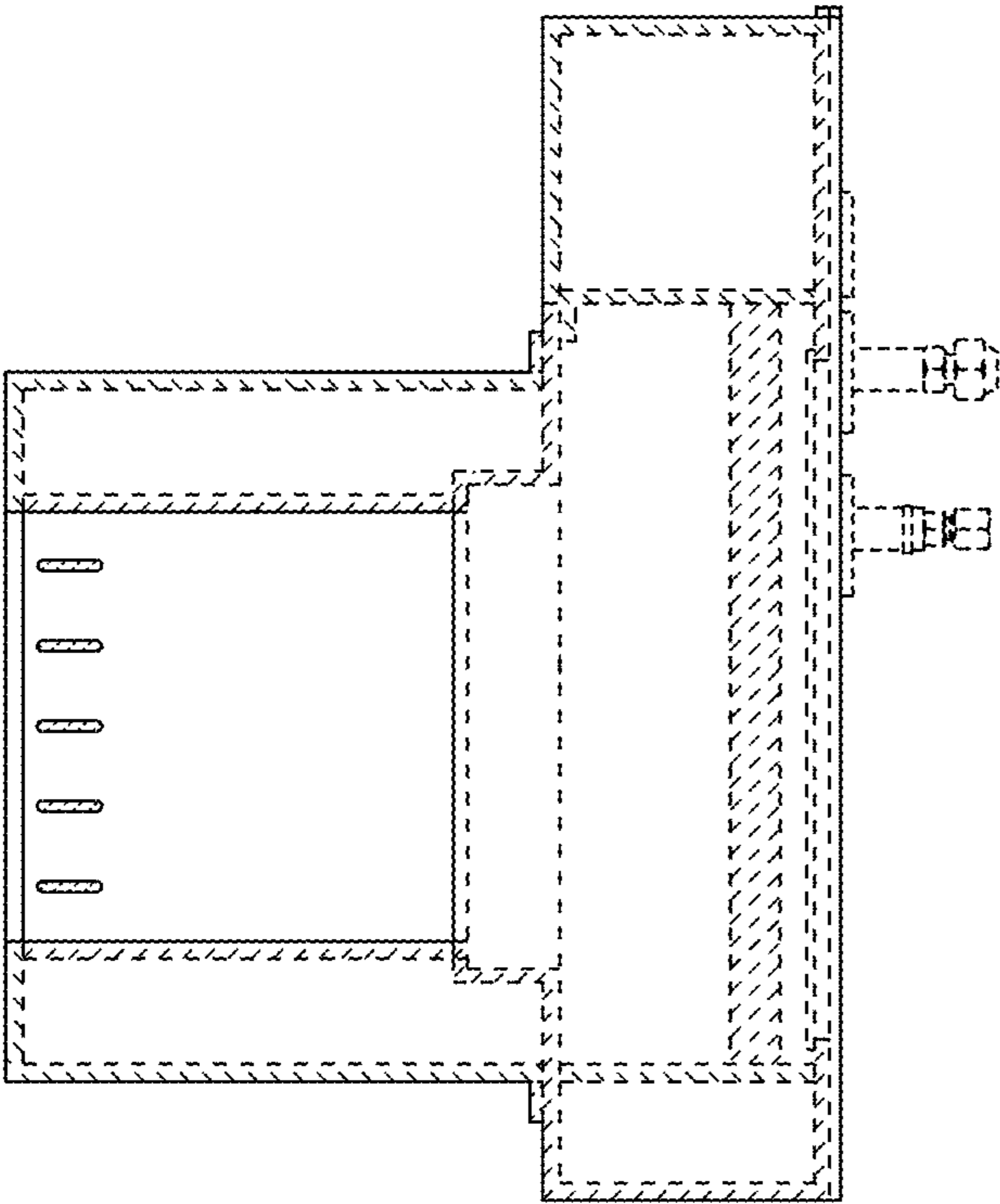


Fig. 9

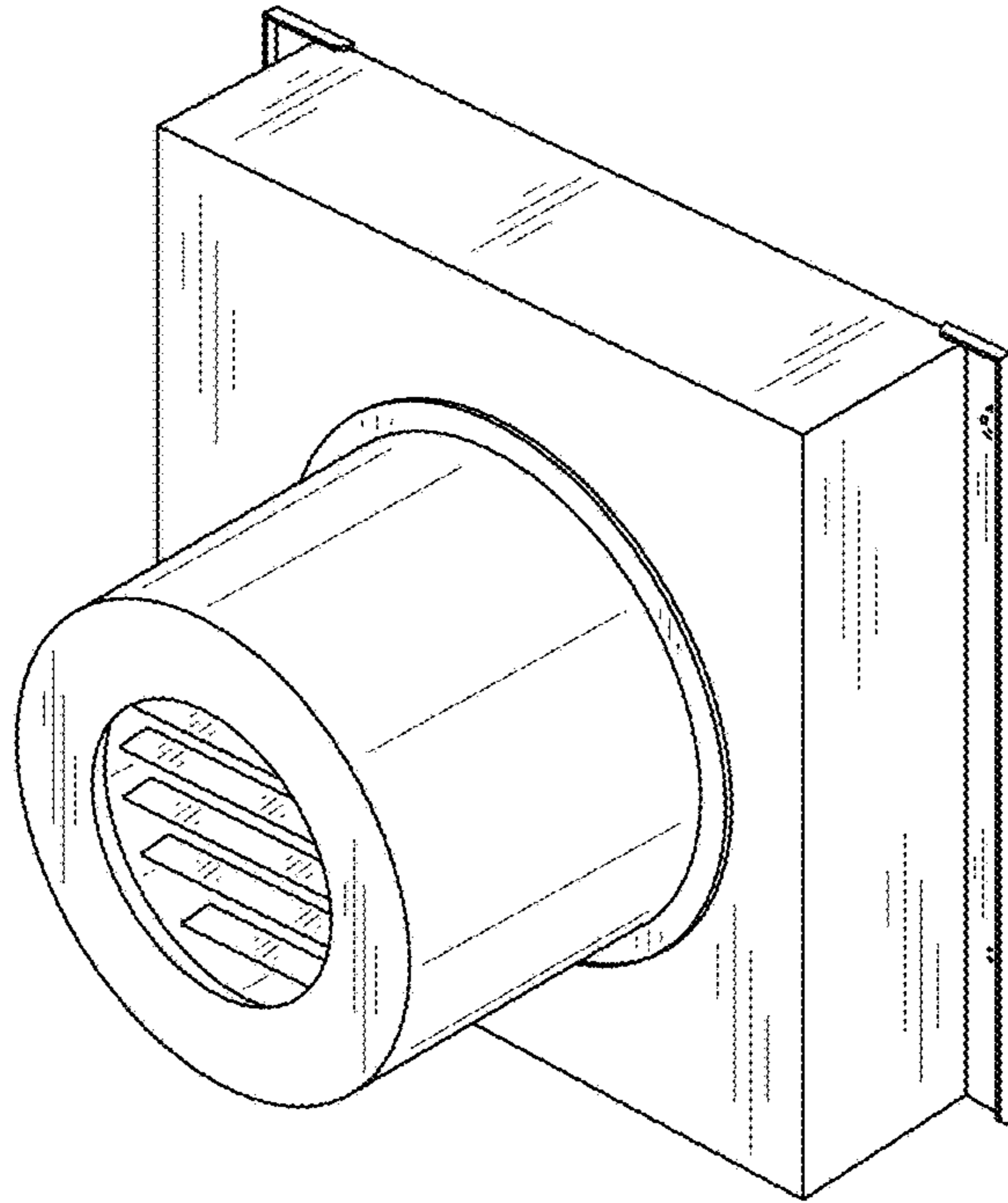


Fig. 10

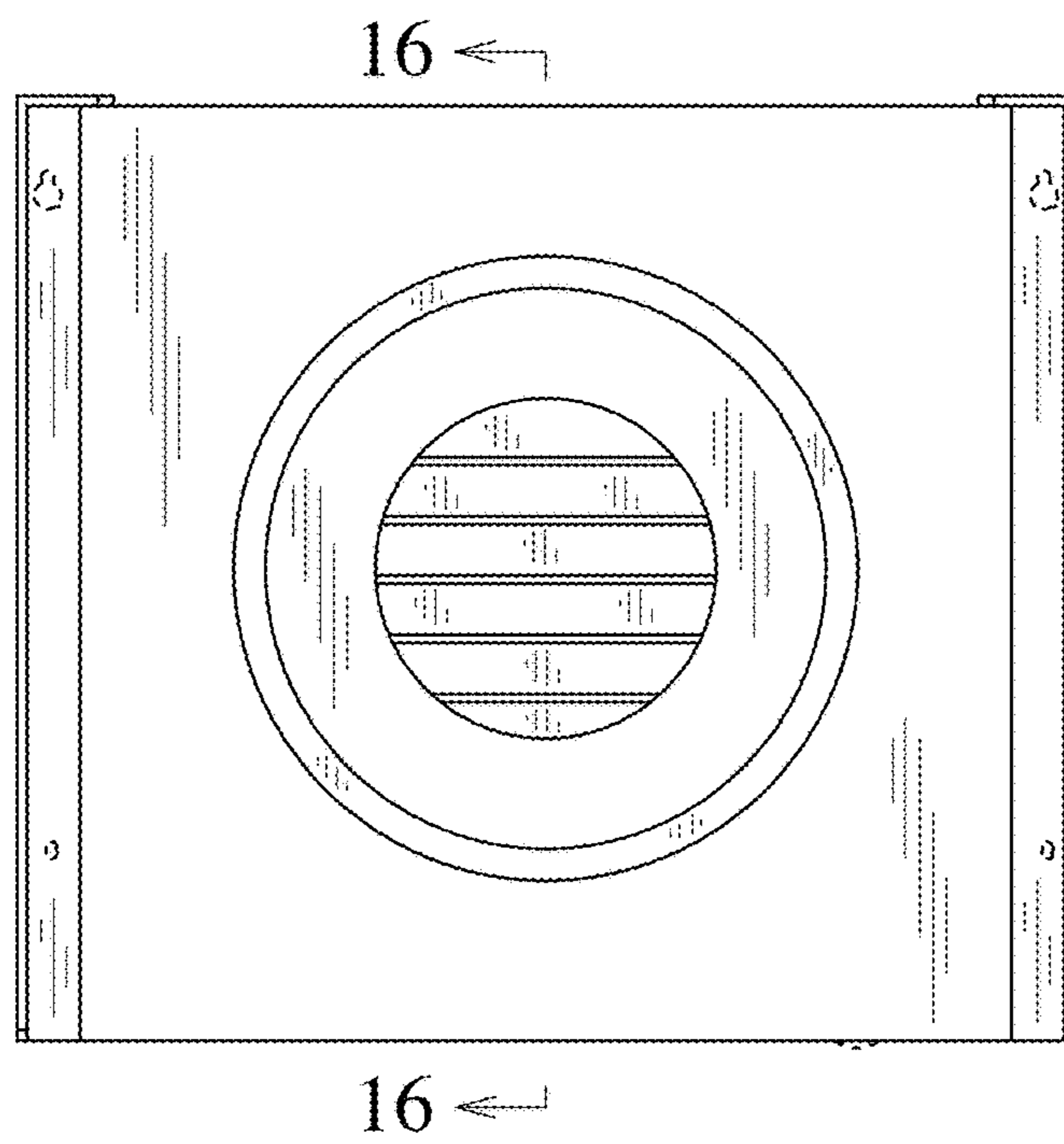


Fig. 12

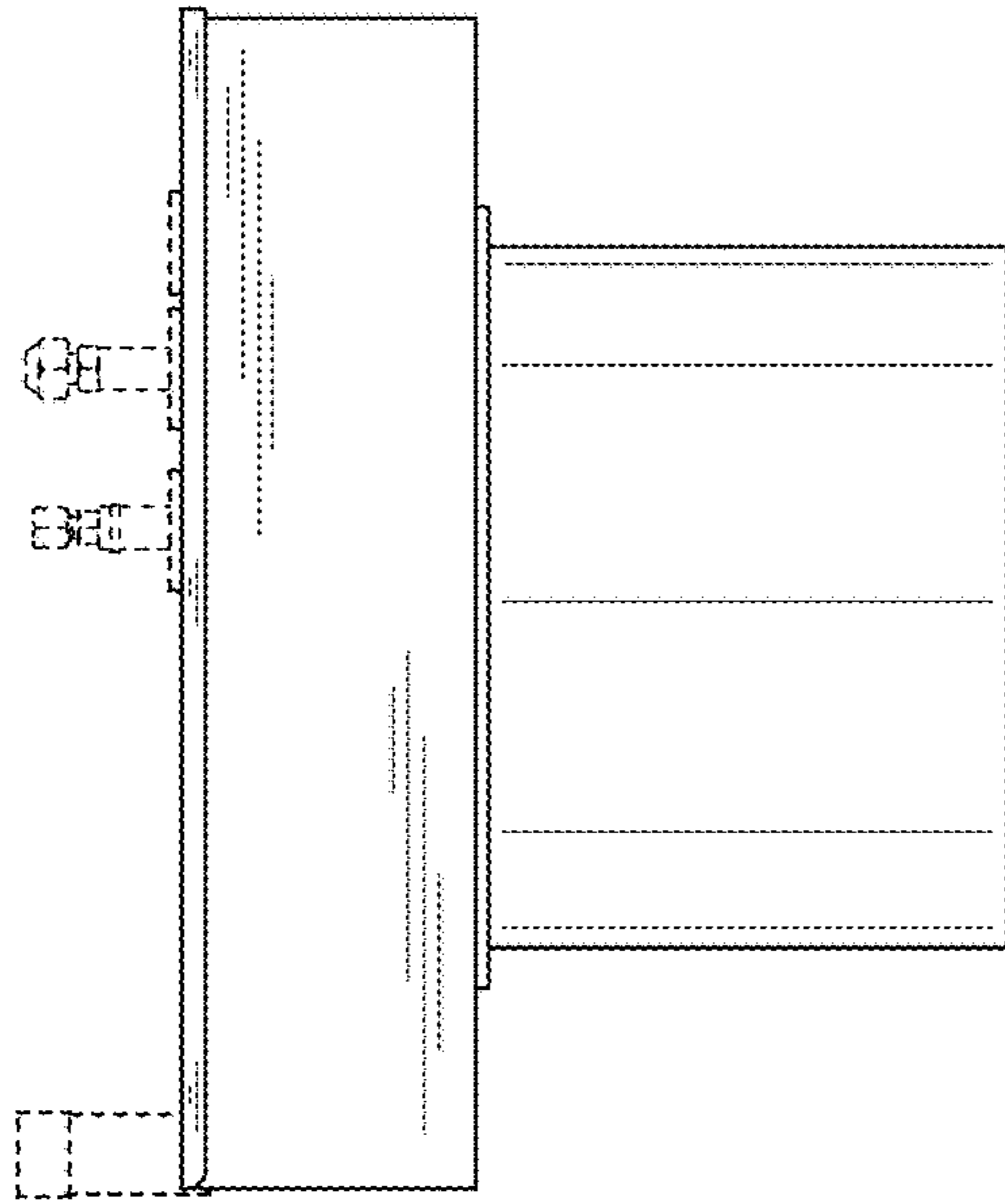


Fig. 11

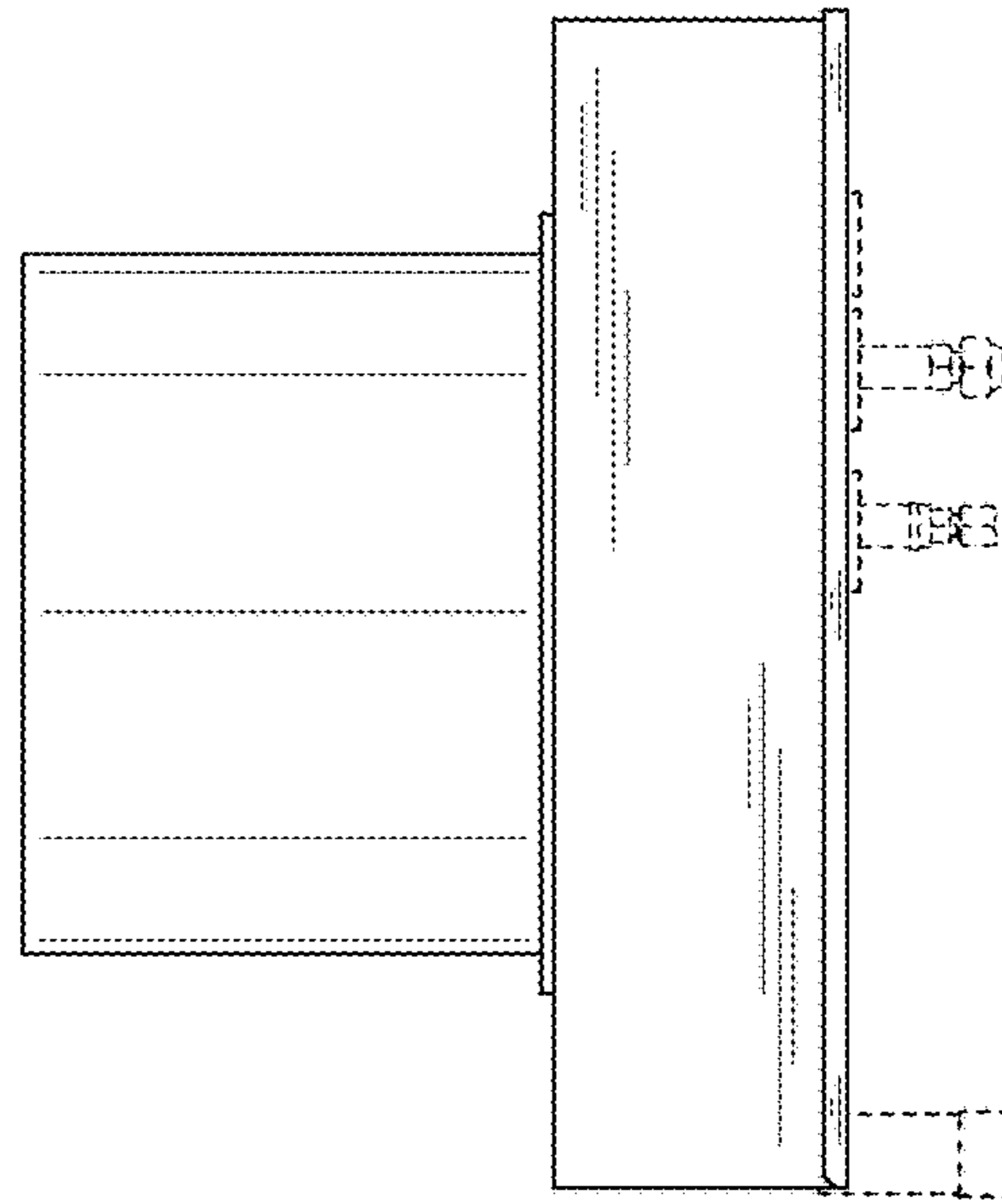


Fig. 13

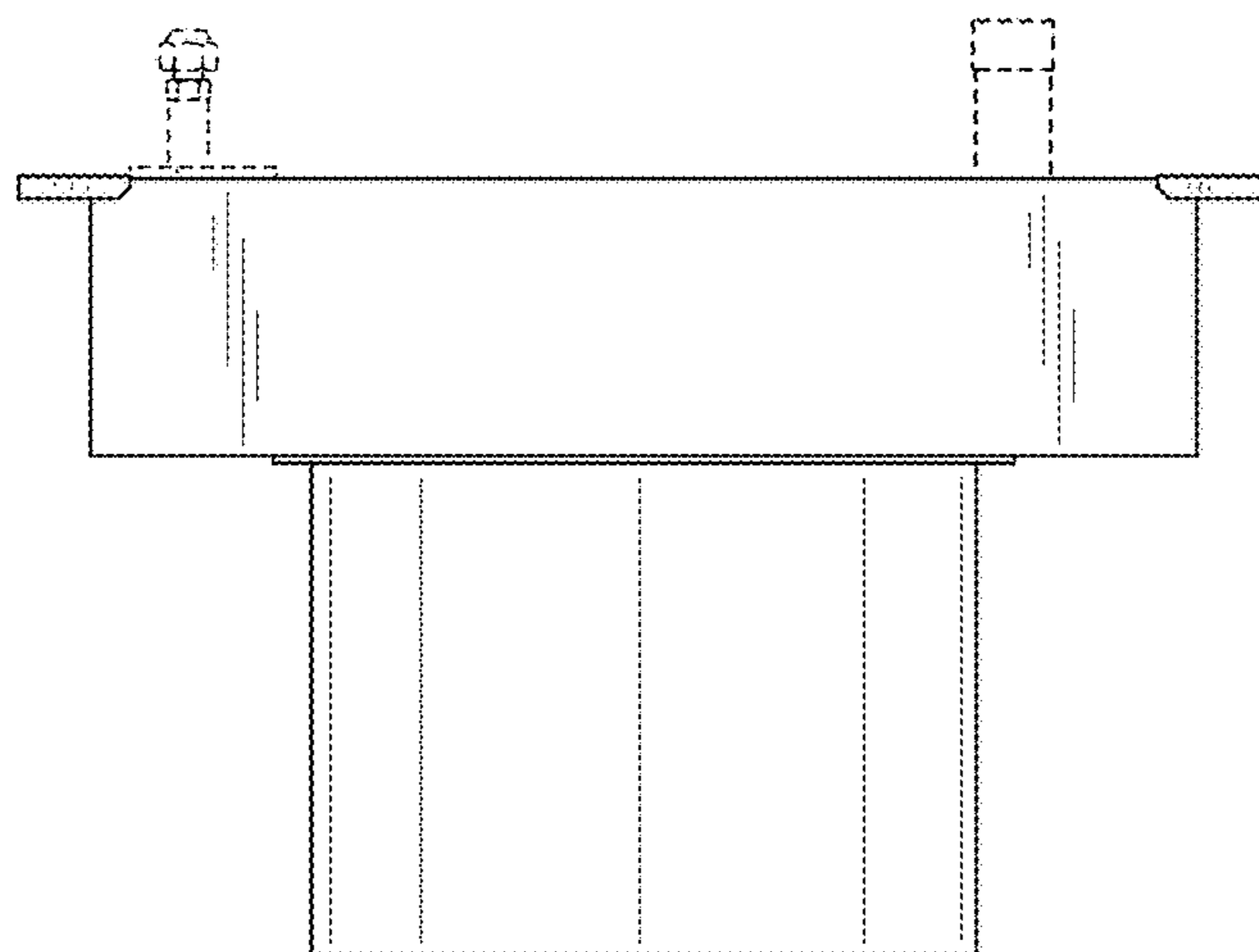


Fig. 14

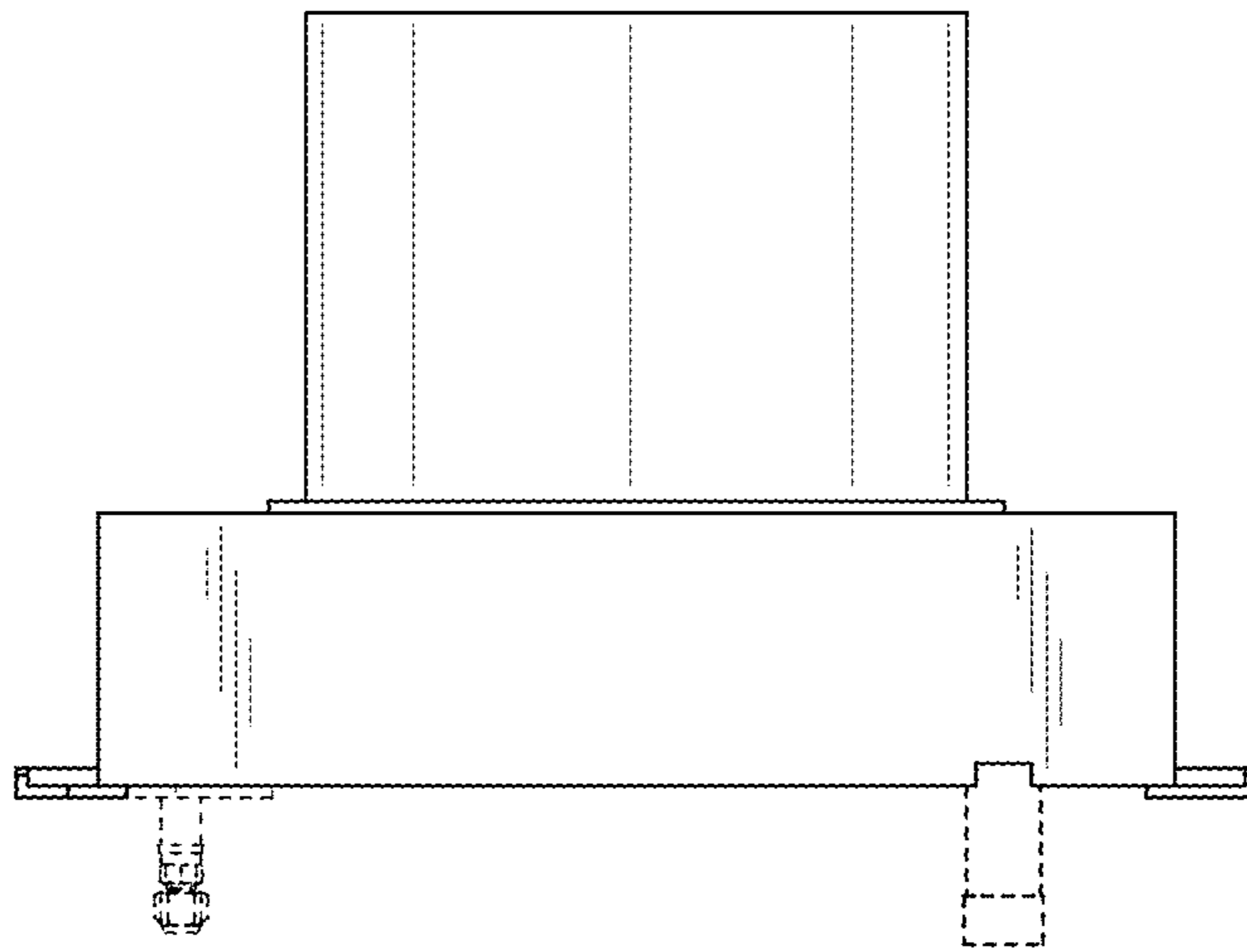


Fig. 15

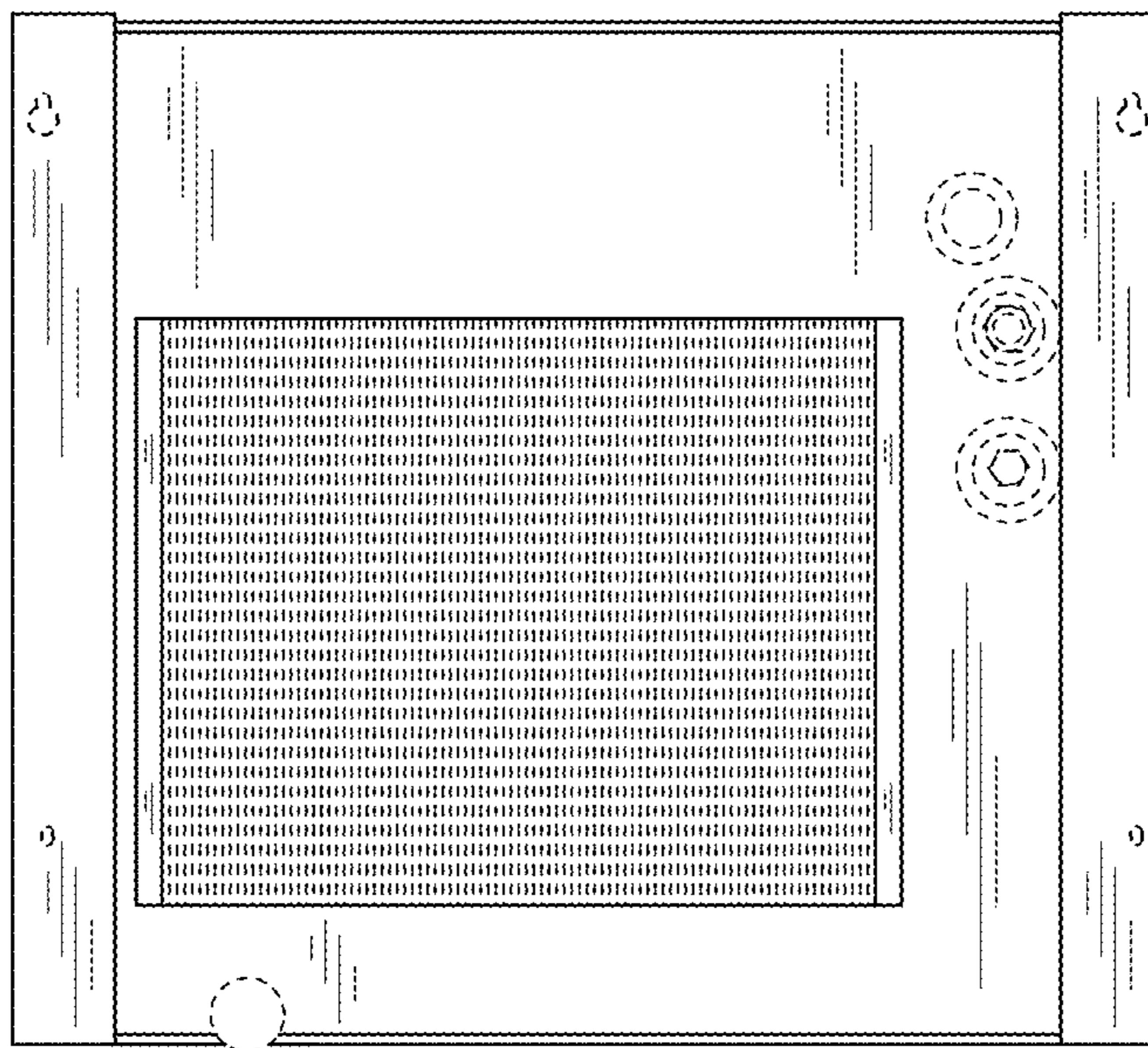


Fig. 16

