



US00D811564S

(12) **United States Design Patent** (10) **Patent No.:** **US D811,564 S**  
**Yoshioka et al.** (45) **Date of Patent:** **\*\* Feb. 27, 2018**

(54) **TOILET SEAT**  
(71) Applicant: **TOTO, Ltd.**, Kitakyushu-shi, Fukuoka (JP)  
(72) Inventors: **Yuji Yoshioka**, Kitakyushu (JP); **Hiroataka Nakabayashi**, Kitakyushu (JP); **Minoru Tani**, Kitakyushu (JP)  
(73) Assignee: **TOTO, Ltd.**, Kitakyushu-shi, Fukuoka (JP)

6,321,402 B1 \* 11/2001 Ming-Chung ..... A47G 9/10  
5/636  
D537,151 S \* 2/2007 Good ..... D23/295  
D579,552 S \* 10/2008 Oldenburg ..... D24/110.6  
D750,266 S \* 2/2016 Guarraia ..... D24/200  
D754,990 S \* 5/2016 Velasquez ..... D6/601  
D761,041 S \* 7/2016 Batiste ..... D6/601  
D764,643 S \* 8/2016 Nakabayashi ..... D23/311  
D771,414 S \* 11/2016 Krishtul ..... D6/601  
2014/0101854 A1 \* 4/2014 Watson ..... A47G 9/1045  
5/639

\* cited by examiner

(\*\*) Term: **15 Years**

*Primary Examiner* — Robert M. Spear

*Assistant Examiner* — John A Voytek

(21) Appl. No.: **29/577,092**

(74) *Attorney, Agent, or Firm* — Banner & Witcoff, Ltd.

(22) Filed: **Sep. 9, 2016**

(57) **CLAIM**

(30) **Foreign Application Priority Data**

The ornamental design for a toilet seat, as shown and described.

Mar. 30, 2016 (JP) ..... 2016-006909

(51) **LOC (11) Cl.** ..... **23-02**

**DESCRIPTION**

(52) **U.S. Cl.**

USPC ..... **D23/311**

(58) **Field of Classification Search**

USPC ..... D23/295-303, 307, 309, 310, 311, 313;

D6/349, 354, 356, 601, 611, 716.4, 716.5;

D21/414, 415; D24/200

CPC ..... A47K 11/00; A47K 13/00; Y10S 4/05;

A47G 9/10

See application file for complete search history.

FIG. 1 is a perspective view of a toilet seat showing our new design;

FIG. 2 is a front view thereof;

FIG. 3 is a rear view thereof;

FIG. 4 is a left side view thereof;

FIG. 5 is a right side view thereof;

FIG. 6 is a top view thereof; and,

FIG. 7 is a bottom view thereof.

The broken lines in the figures are included for the purpose of illustrating the unclaimed portions of the toilet seat and form no part of the claimed design.

The dash-dot-dash broken lines in the figures represent an unclaimed boundary between claimed and unclaimed subject matter.

(56) **References Cited**

**U.S. PATENT DOCUMENTS**

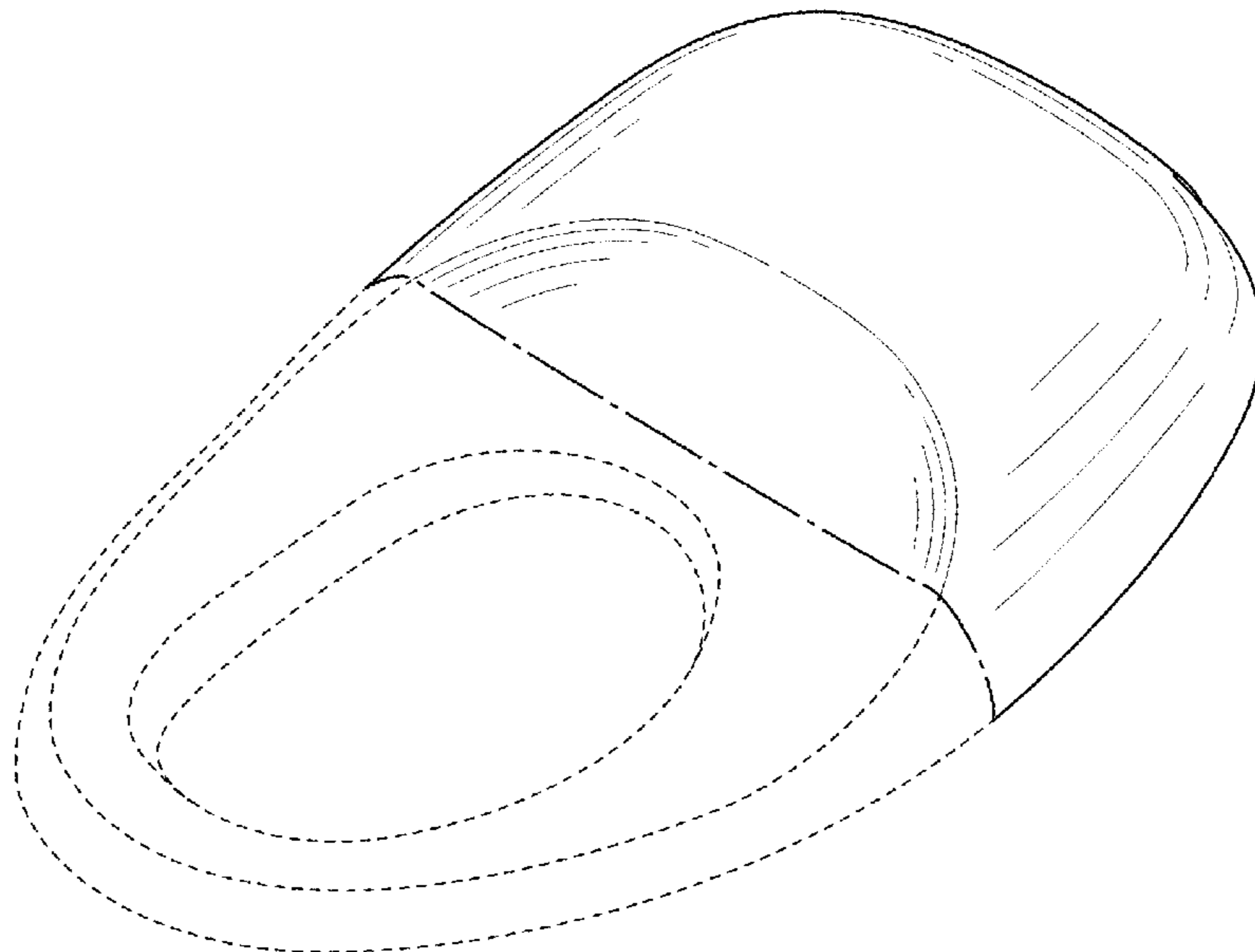
D95,950 S \* 6/1935 Faulhaber ..... D6/354

D355,246 S \* 2/1995 Kawamura ..... D23/295

D367,922 S \* 3/1996 Kobayashi ..... D23/311

D438,941 S \* 3/2001 Selina ..... D23/299

**1 Claim, 4 Drawing Sheets**



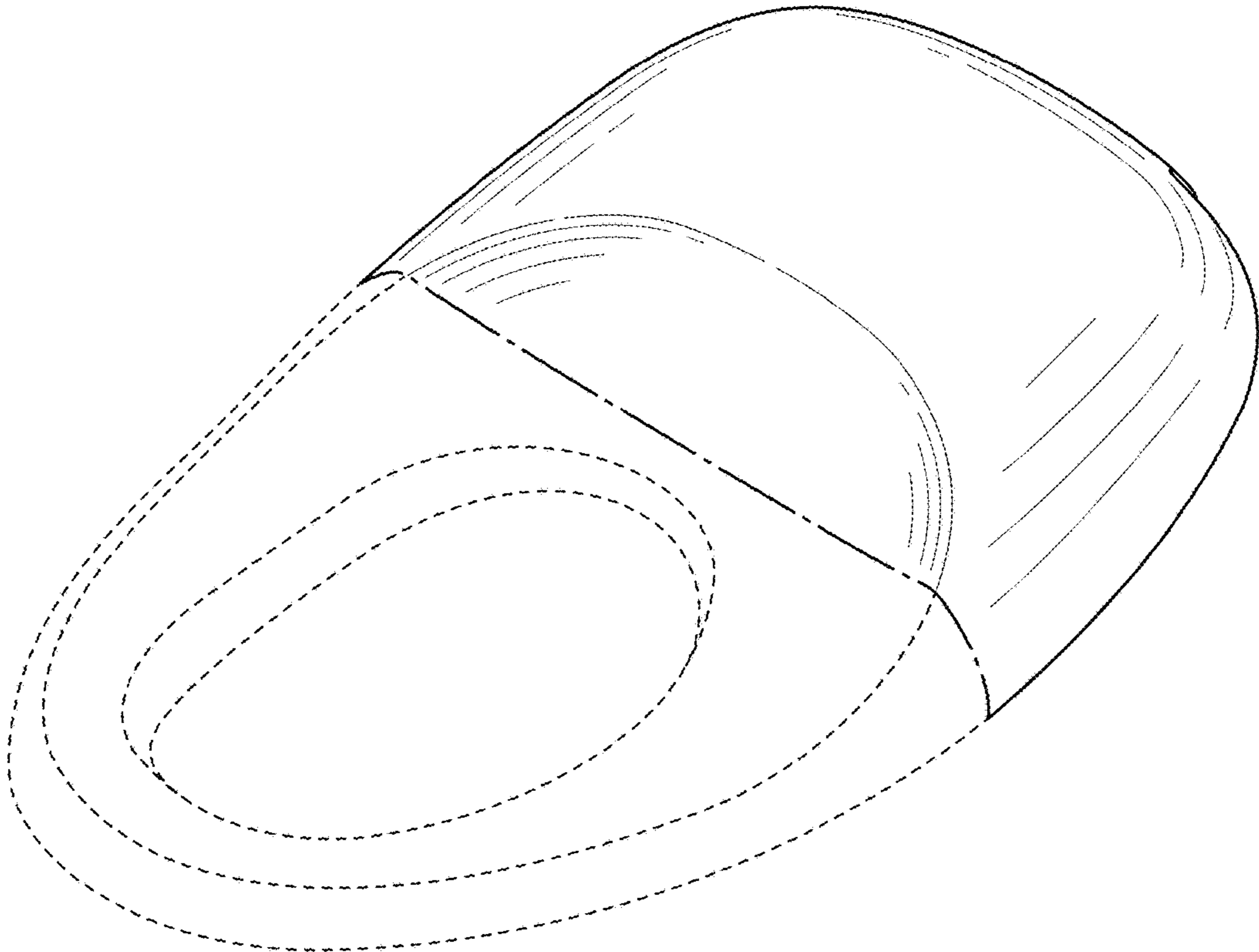


FIG. 1

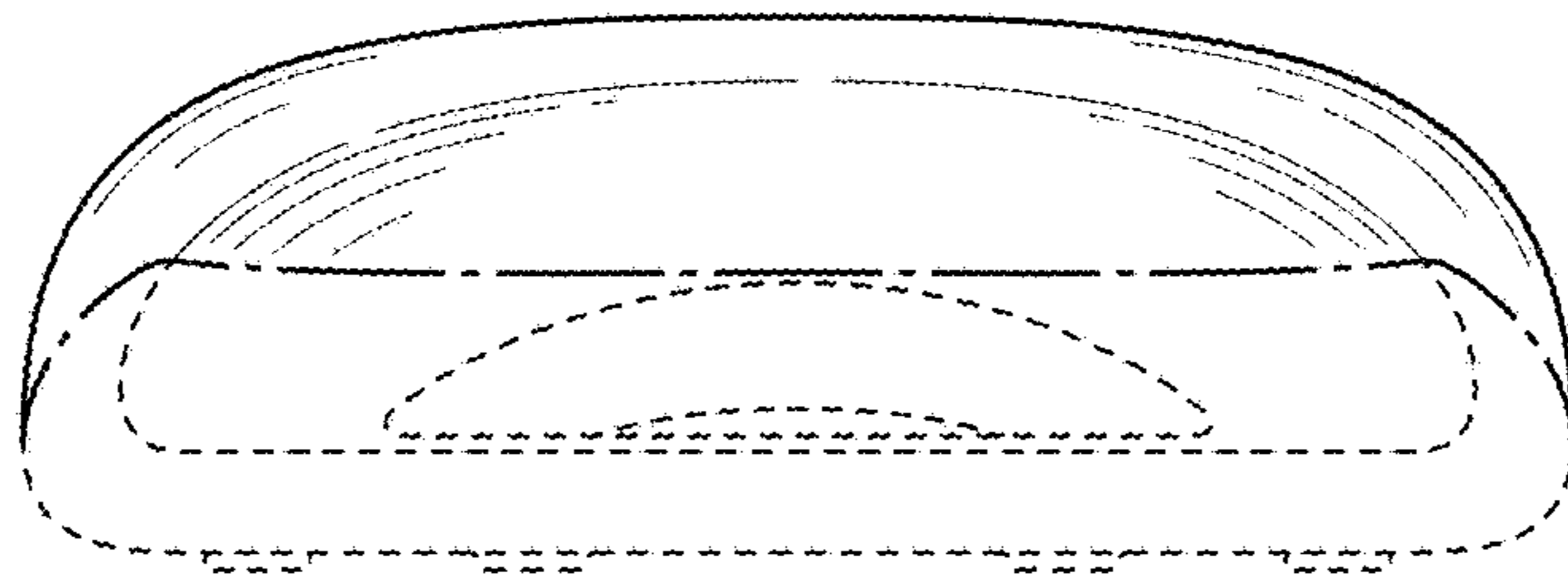


FIG. 2

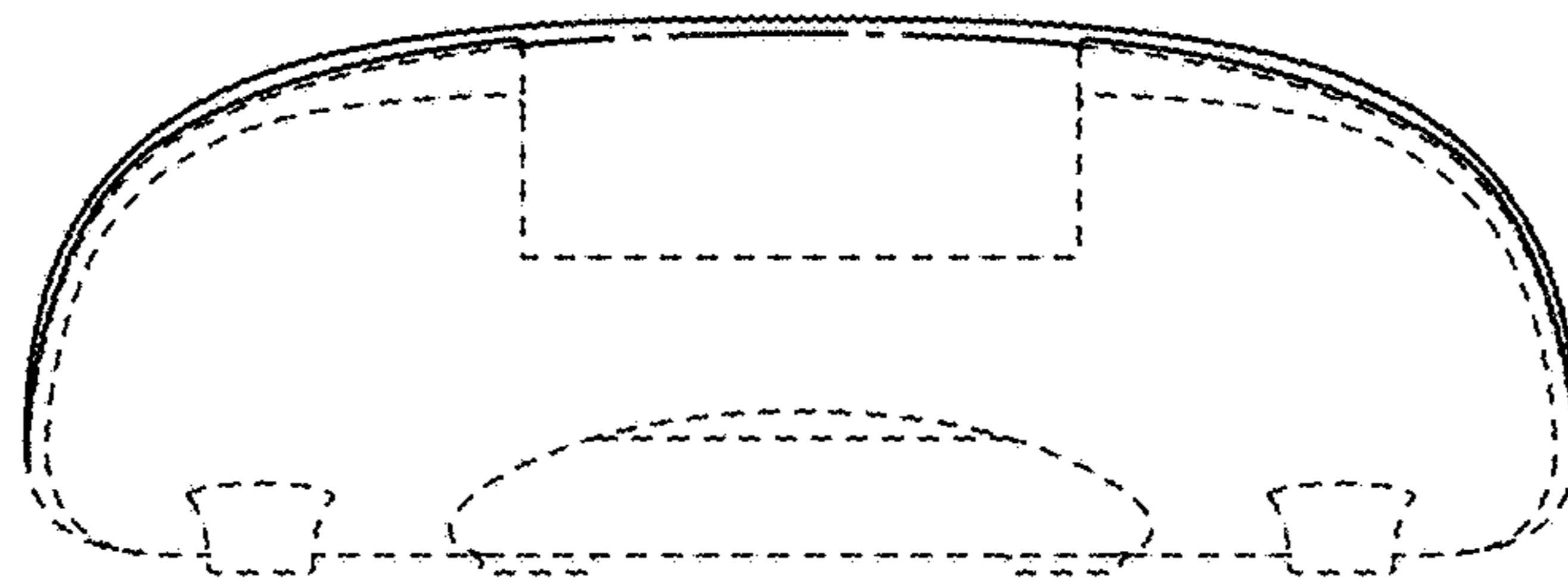


FIG. 3

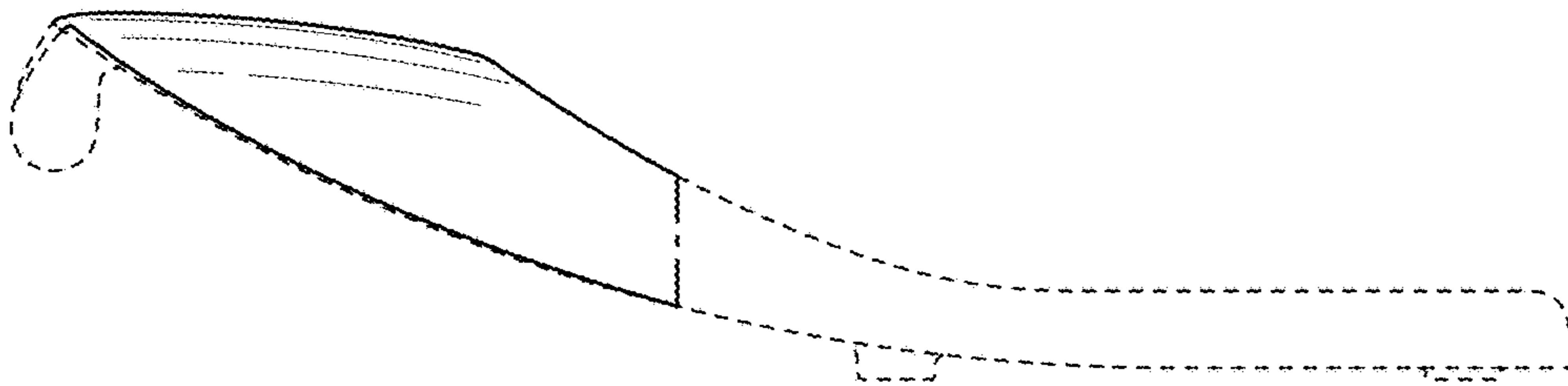


FIG. 4

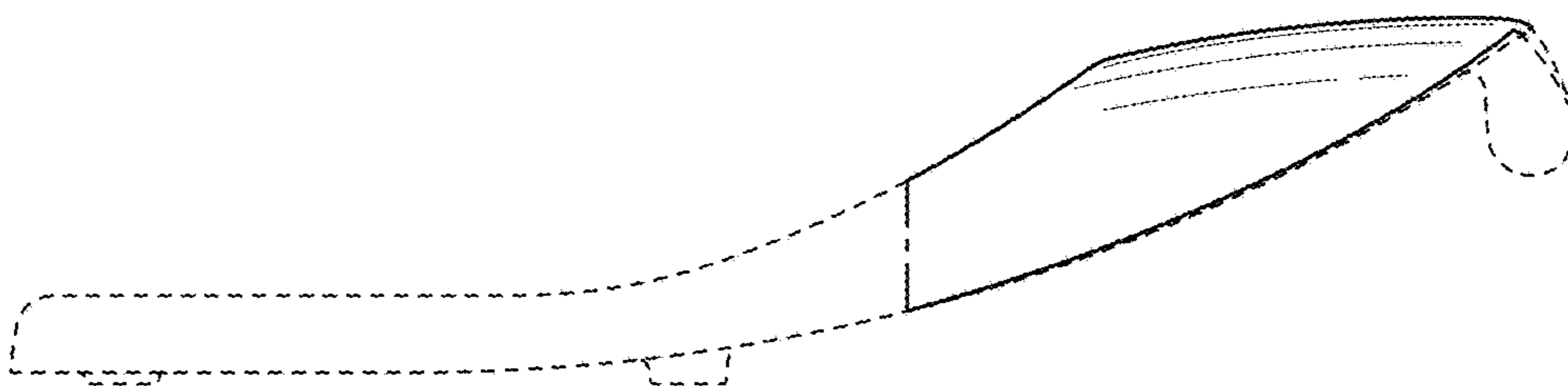
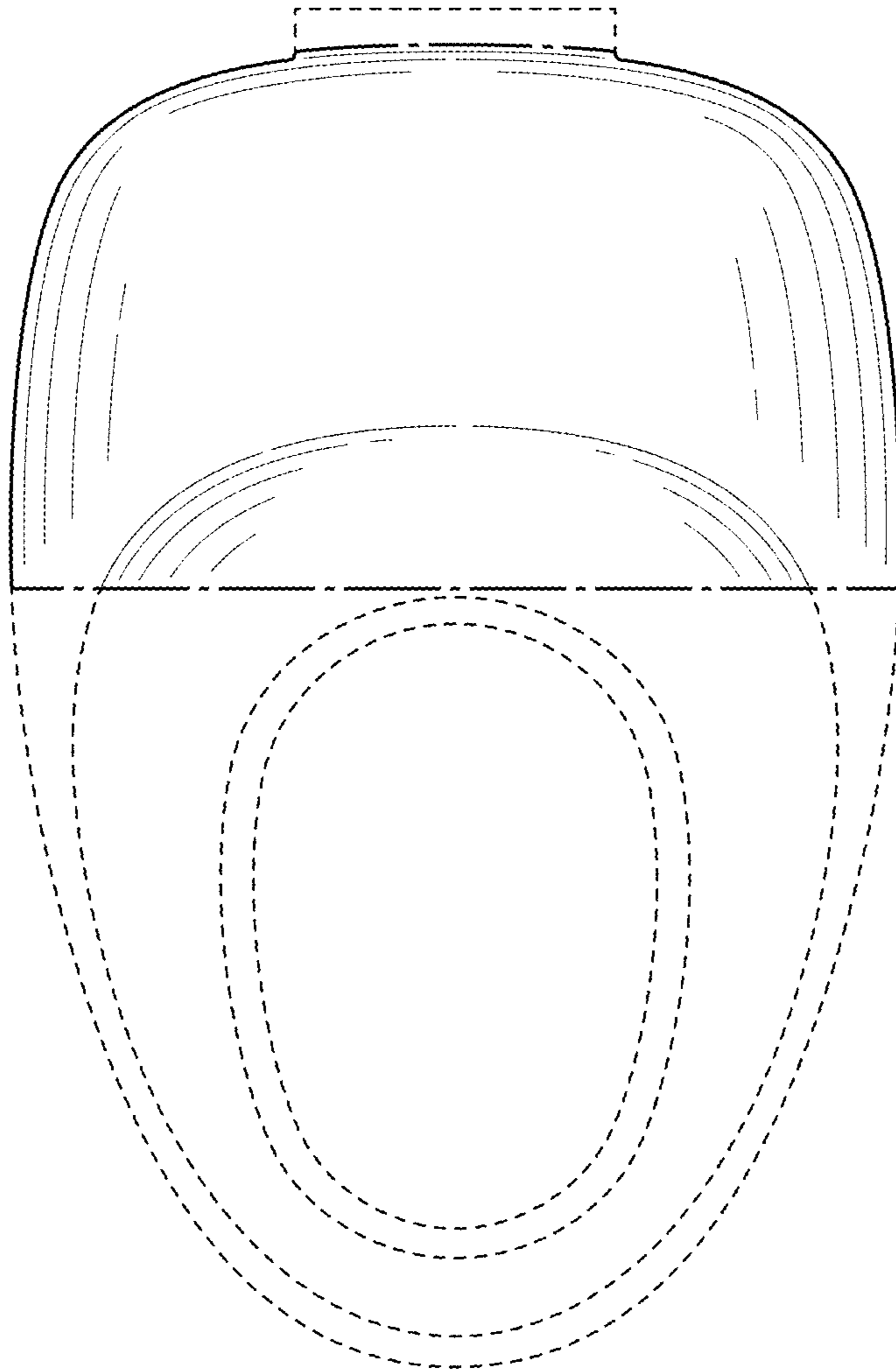
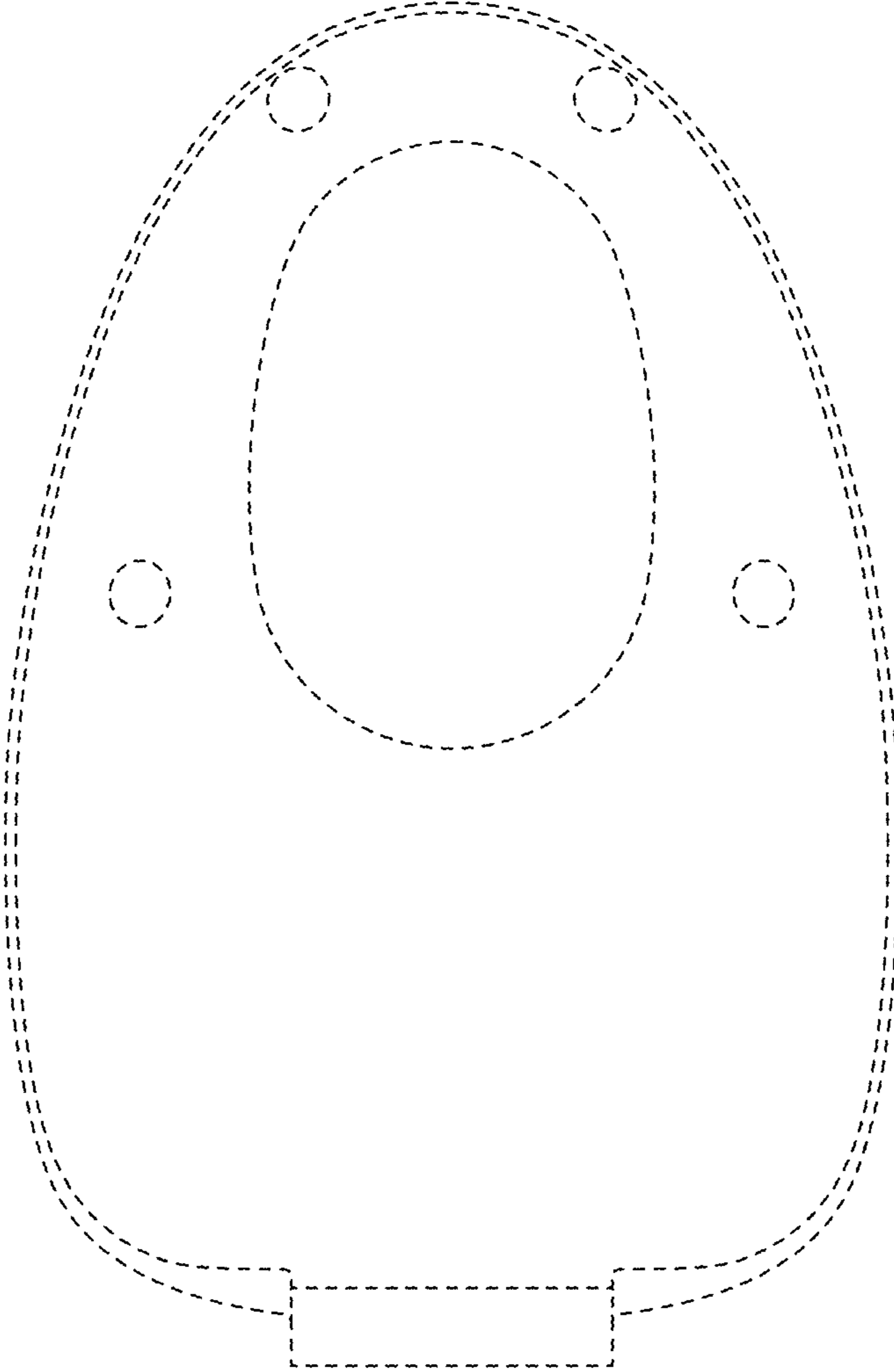


FIG. 5



*FIG. 6*



*FIG. 7*