



US00D811563S

(12) **United States Design Patent**
L'Henaff et al.

(10) **Patent No.:** **US D811,563 S**

(45) **Date of Patent:** **** Feb. 27, 2018**

(54) **TOILET**

(71) Applicant: **AS IP Holdco, LLC**, Piscataway, NJ (US)

(72) Inventors: **Jean-Jacques L'Henaff**, New Canaan, CT (US); **Christophe Bucher**, Hillsborough, NJ (US); **Jacob Nitz**, Brooklyn, NY (US)

(73) Assignee: **AS IP HOLDCO, LLC**, Piscataway, NJ (US)

(**) Term: **15 Years**

(21) Appl. No.: **29/590,271**

(22) Filed: **Jan. 9, 2017**

(51) **LOC (11) Cl.** **23-02**

(52) **U.S. Cl.**
USPC **D23/301**

(58) **Field of Classification Search**
USPC D23/295-303, 307, 309, 310, 313
CPC E03D 11/08; E03D 11/18; E03D 5/10;
E03D 13/00; A47K 11/00; A47K 13/00;
Y10S 4/05
See application file for complete search history.

(56) **References Cited**

U.S. PATENT DOCUMENTS

D496,444 S * 9/2004 Kergoet D23/301
D508,116 S * 8/2005 Tani D23/301

D559,367 S * 1/2008 Maruhashi D23/295
D576,716 S * 9/2008 Kaule D23/295
D594,943 S * 6/2009 Starck D23/301
D594,944 S * 6/2009 Starck D23/301
D622,827 S * 8/2010 Soulier D23/295
D640,777 S * 6/2011 Heuberger D23/300
D646,366 S * 10/2011 Palomba D23/301
D654,993 S * 2/2012 Ando D23/301
D683,437 S * 5/2013 Newson D23/301
D712,016 S * 8/2014 Spangler D23/301
D764,033 S * 8/2016 Chuk D23/301

* cited by examiner

Primary Examiner — Robert M. Spear

Assistant Examiner — John A Voytek

(74) *Attorney, Agent, or Firm* — Venable LLP; Michele V. Frank, Esq.

(57) **CLAIM**

The ornamental design for a toilet, as shown and described.

DESCRIPTION

FIG. 1 is a front and right side perspective view of a toilet showing the new design;
FIG. 2 is a front elevational view thereof;
FIG. 3 is a rear elevational view thereof;
FIG. 4 is a right side elevational view thereof;
FIG. 5 is a left side elevational view thereof;
FIG. 6 is a top plan view thereof; and,
FIG. 7 is a bottom plan view thereof.
The features shown in broken lines form no part of the claimed design.

1 Claim, 4 Drawing Sheets

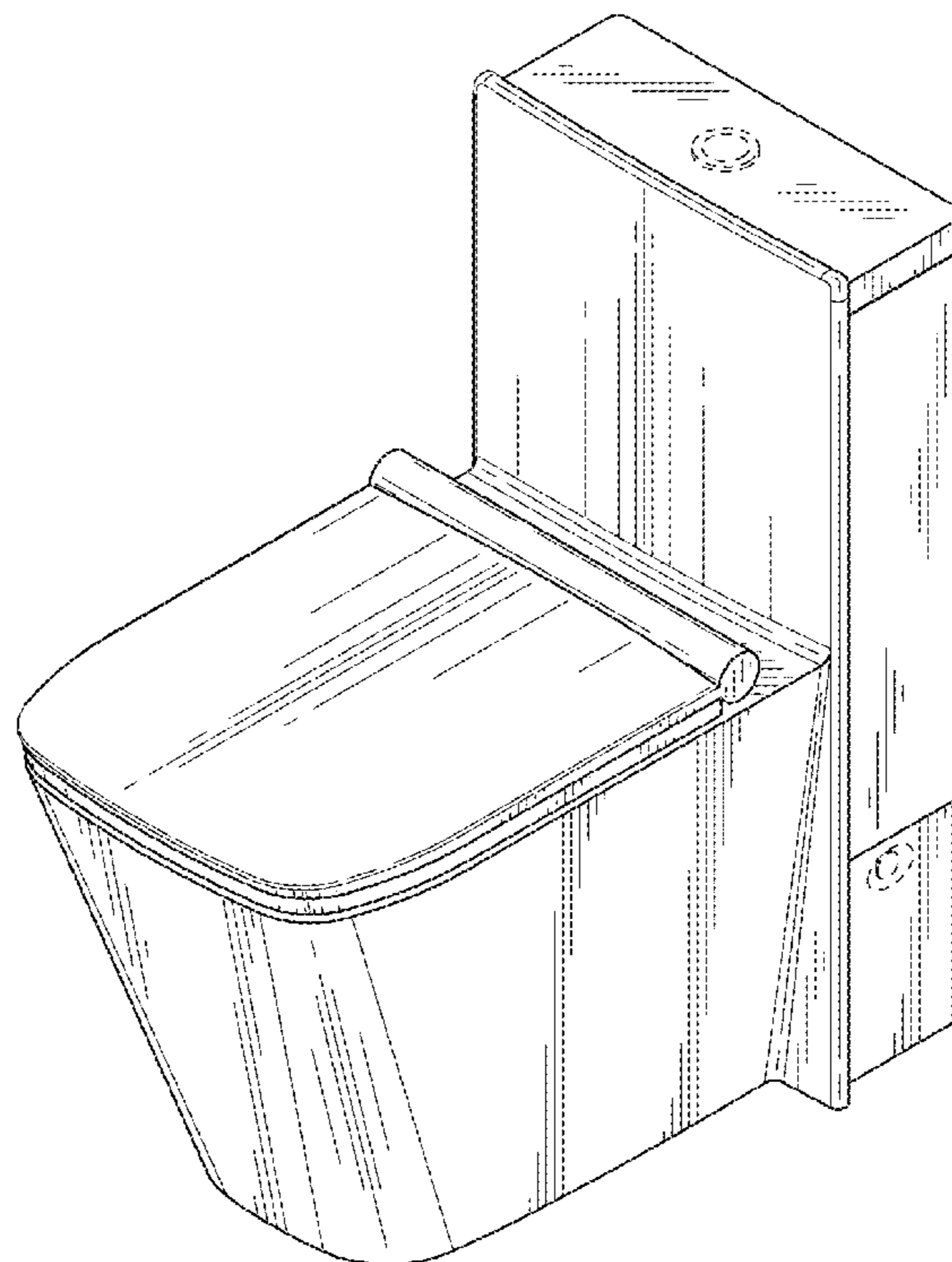


FIG. 1

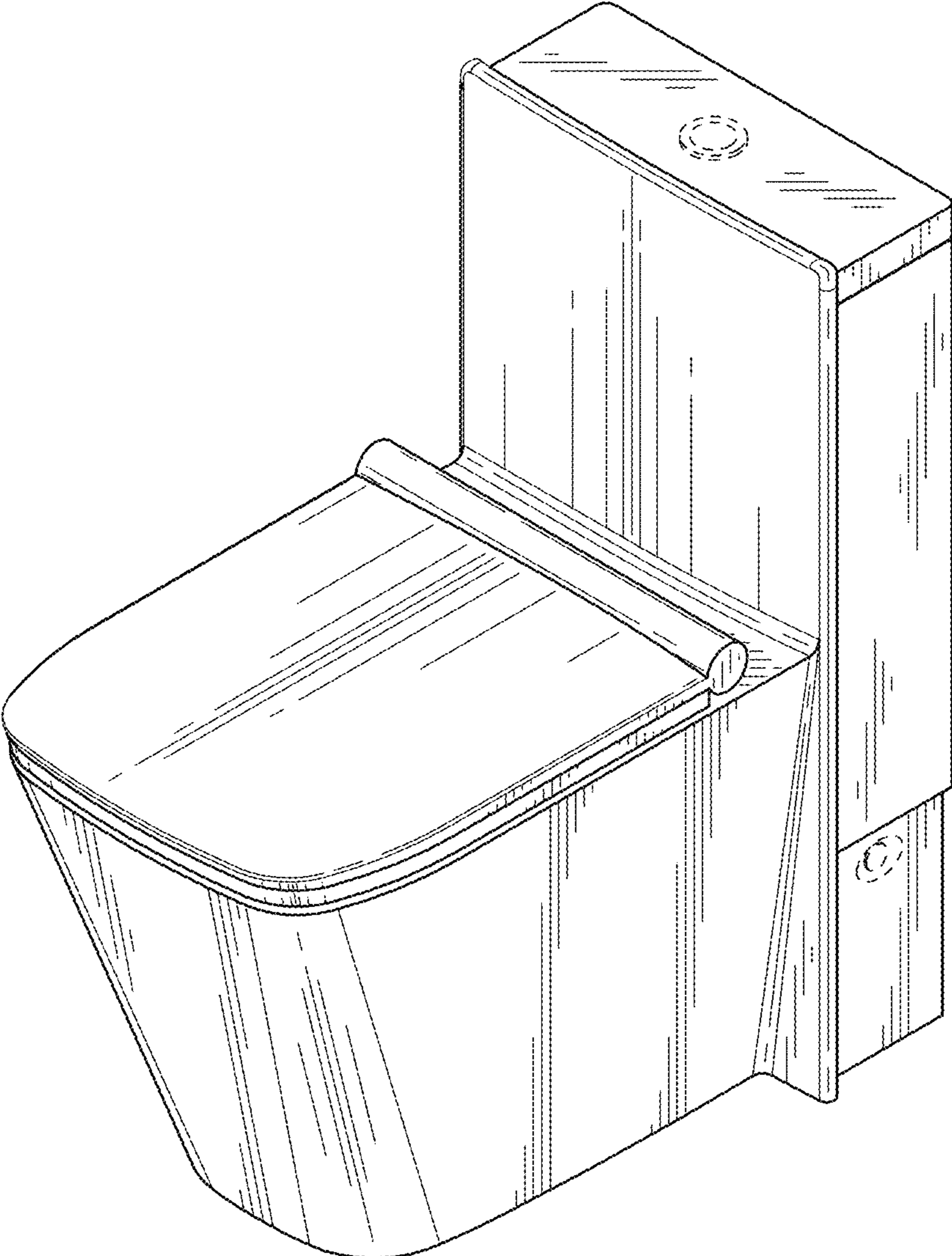


FIG. 2

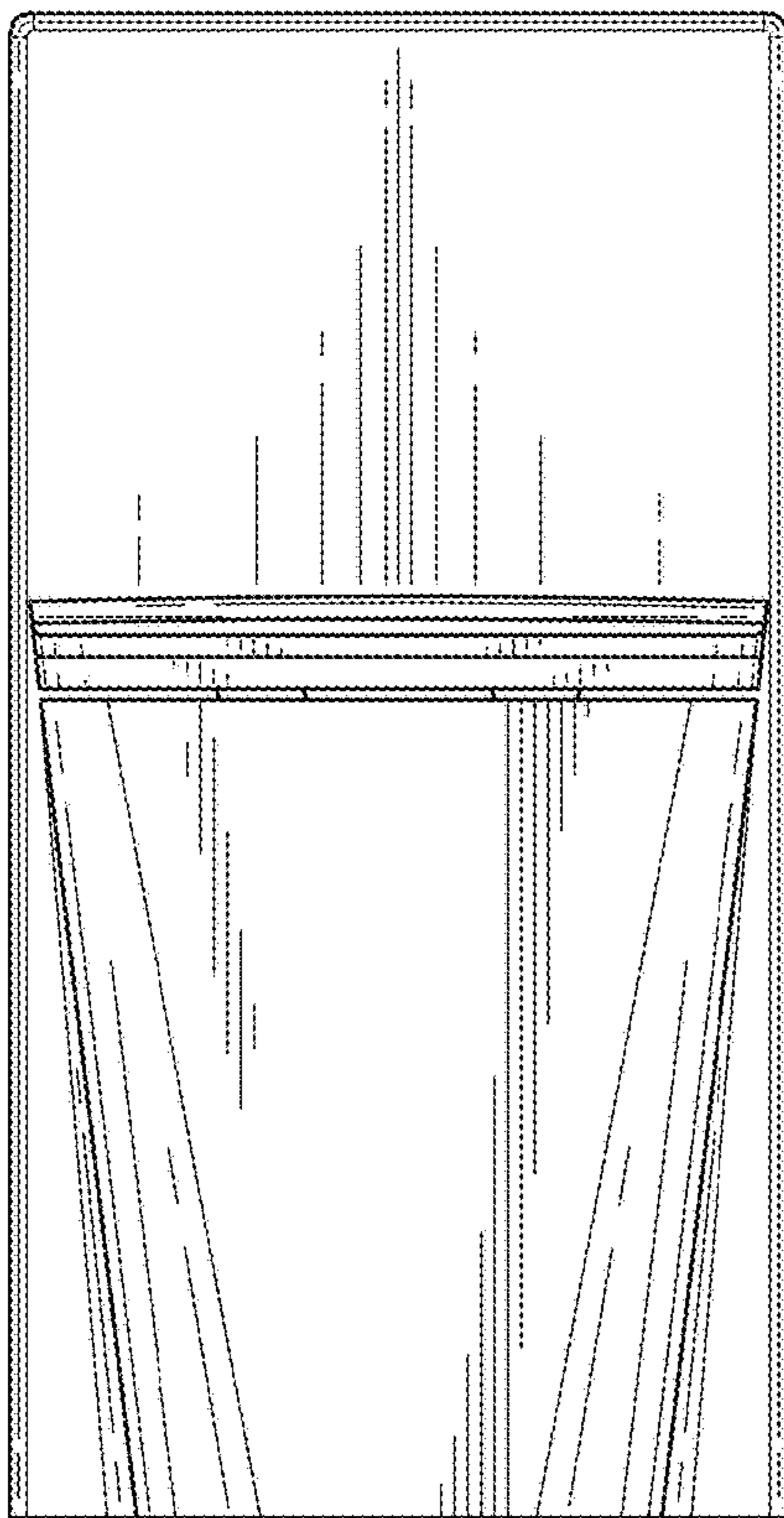


FIG. 3

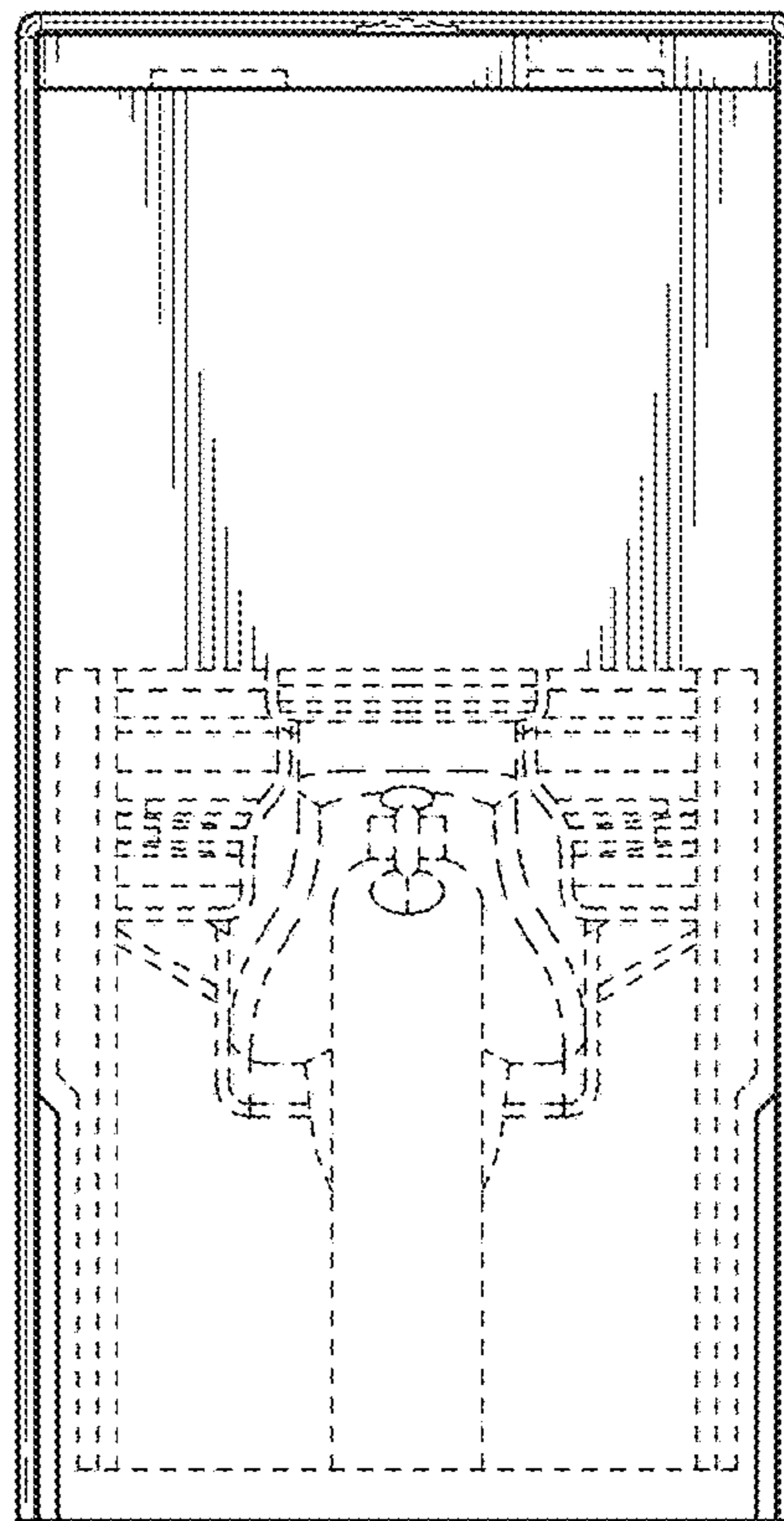


FIG. 5

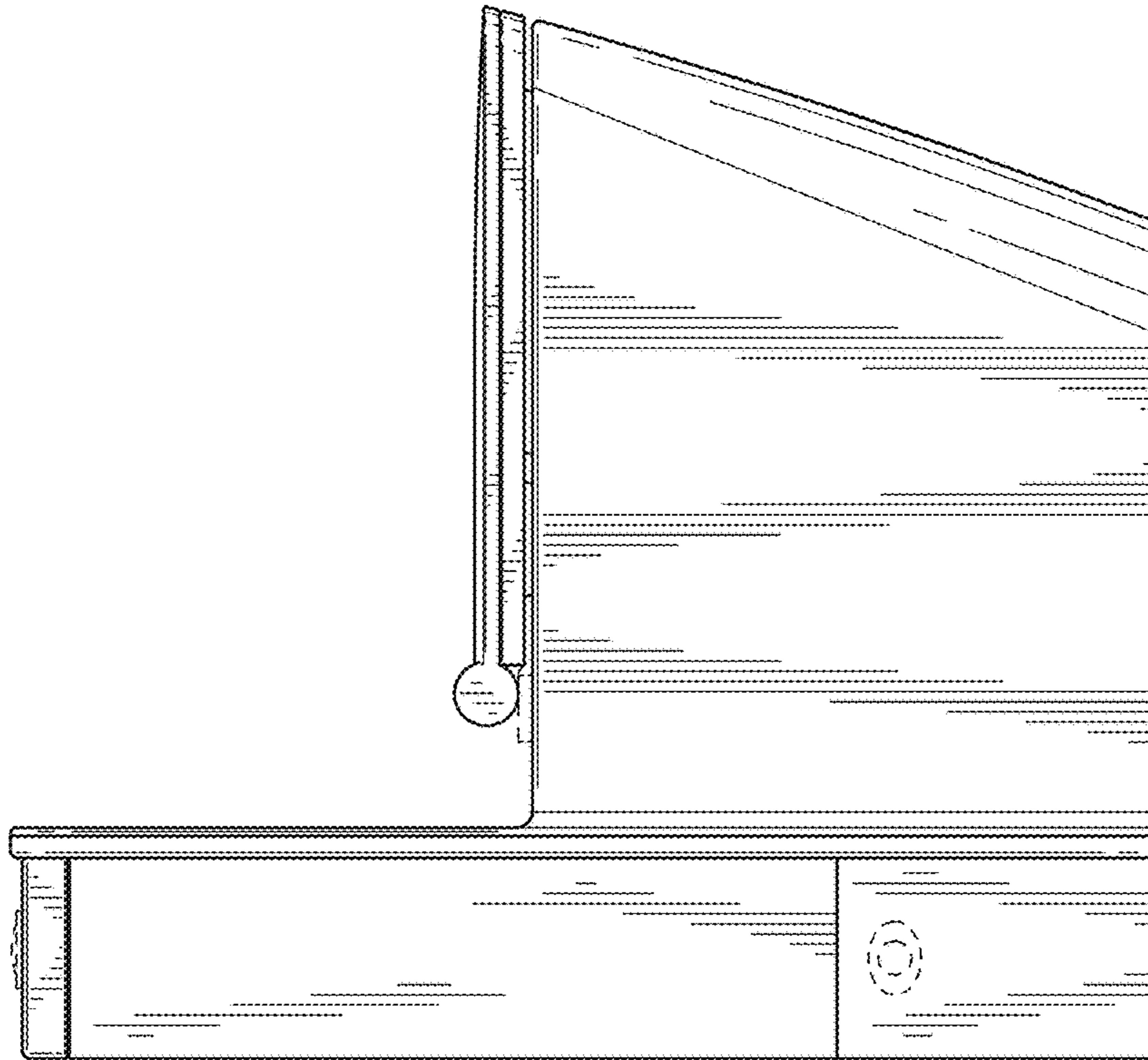


FIG. 4

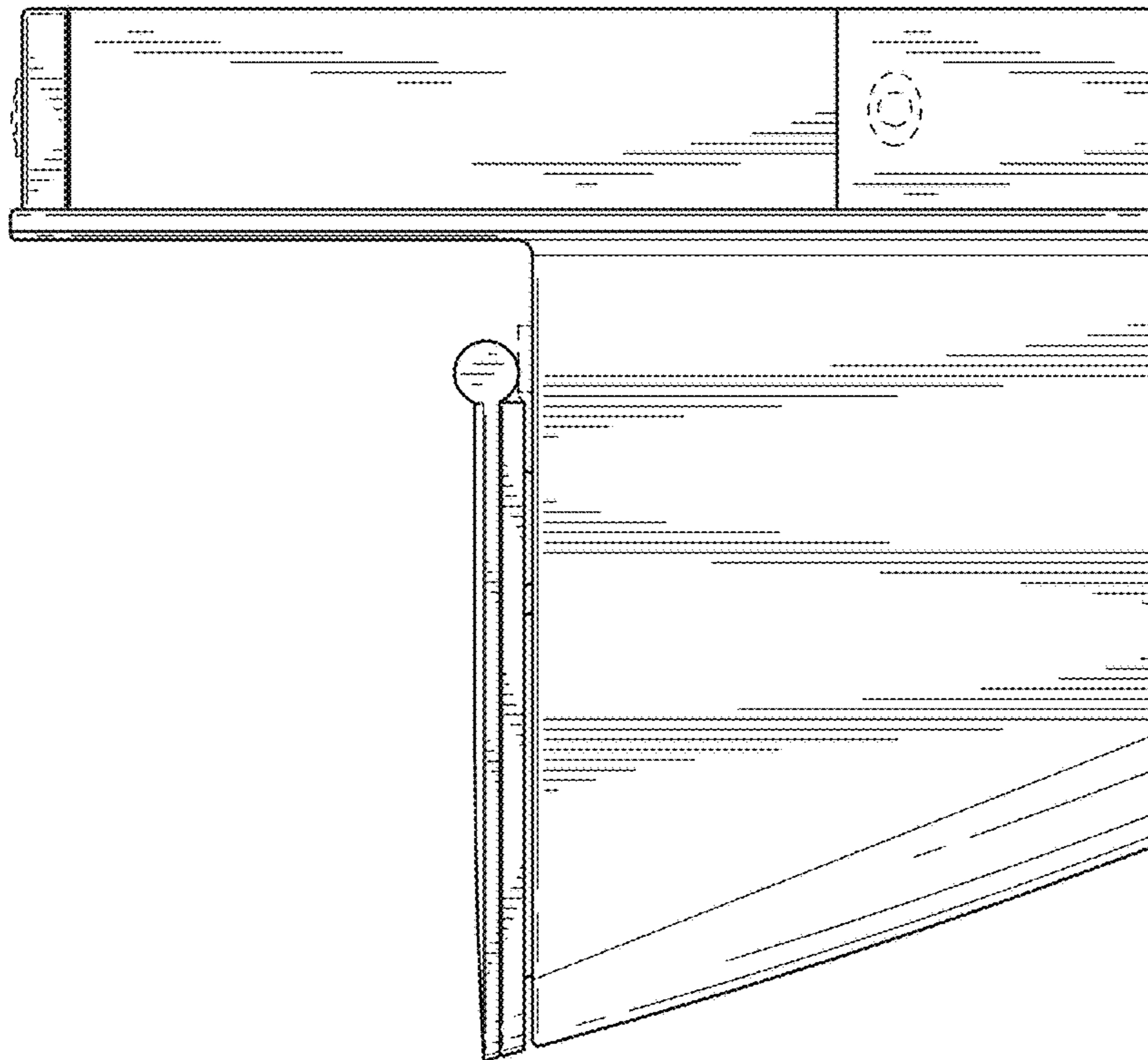


FIG. 6

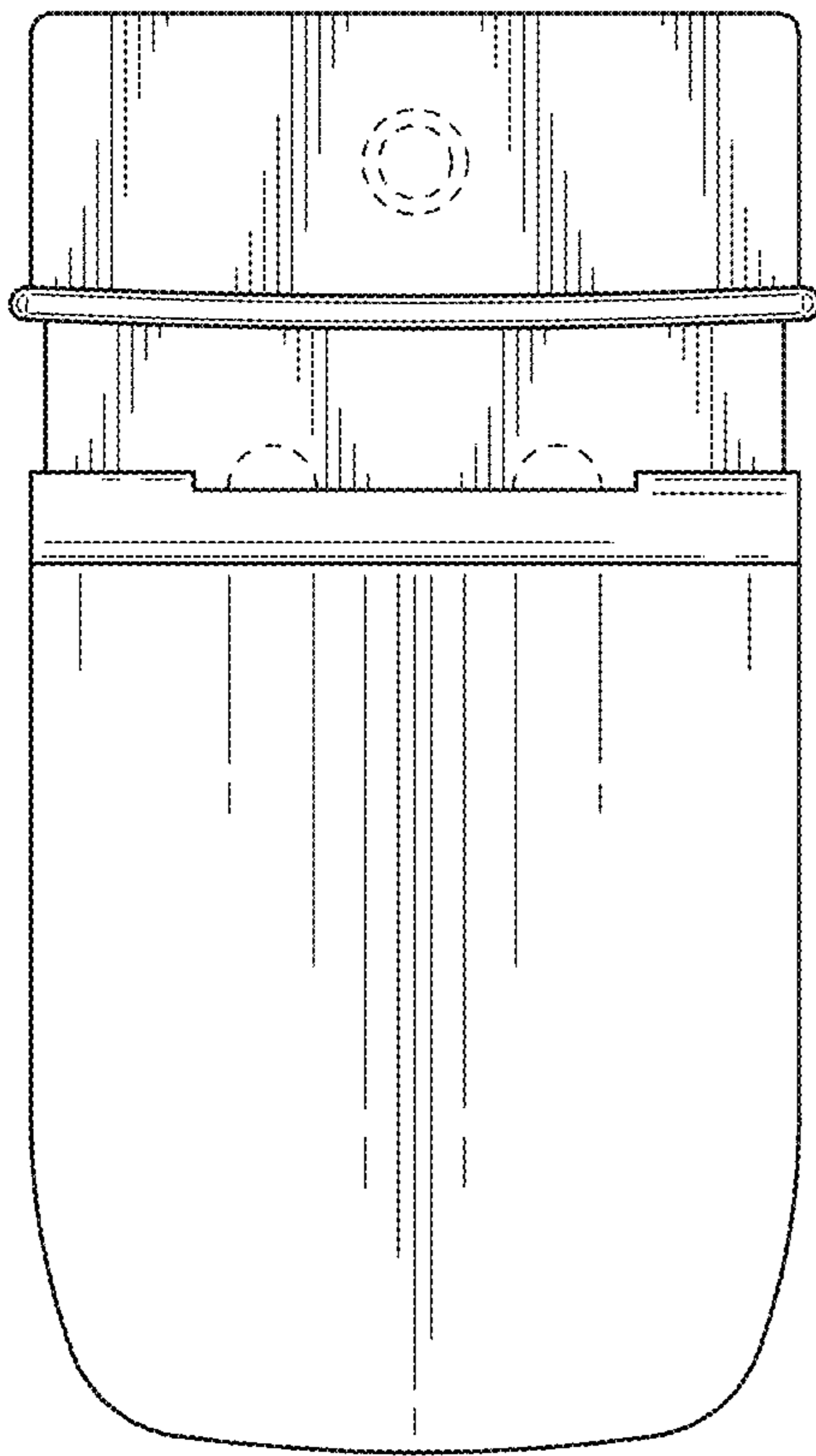


FIG. 7

