



US00D811562S

(12) **United States Design Patent** (10) **Patent No.:** **US D811,562 S**
Snyder et al. (45) **Date of Patent:** **** Feb. 27, 2018**

(54) **TOILET**

(71) Applicant: **Dometic Sweden AB**, Solna (SE)

(72) Inventors: **Nathan A. Snyder**, Big Prairie, OH (US); **Laura M. Marker**, Wooster, OH (US); **Todd M. Bradford**, Orrville, OH (US)

(73) Assignee: **Dometic Sweden AB**, Solna (SE)

(**) Term: **15 Years**

(21) Appl. No.: **29/584,310**

(22) Filed: **Nov. 14, 2016**

(51) **LOC (11) Cl.** **23-02**

(52) **U.S. Cl.**
USPC **D23/295**

(58) **Field of Classification Search**
USPC D23/295-303, 307, 309, 310, 313
CPC E03D 11/08; E03D 11/18; E03D 5/10;
E03D 13/00; A47K 11/00; A47K 13/00;
Y10S 4/05
See application file for complete search history.

(56) **References Cited**

U.S. PATENT DOCUMENTS

3,846,847	A	11/1974	Tufts et al.	
4,516,280	A	5/1985	Tufts	
4,739,525	A	4/1988	De Graw et al.	
4,819,279	A	4/1989	Sigler et al.	
5,036,554	A	8/1991	Blount	
5,345,618	A	9/1994	Sigler et al.	
5,408,704	A	4/1995	Bailey et al.	
D385,021	S *	10/1997	White	D23/299
6,148,860	A	11/2000	Sigler	
6,212,700	B1	4/2001	Giesler et al.	
6,374,431	B1	4/2002	Dahlberg	
6,397,407	B1	6/2002	Dahlberg	
6,421,843	B1	7/2002	Mellinger et al.	

D465,562	S *	11/2002	Moore	D23/295
D485,604	S *	1/2004	Good	D23/295
6,782,561	B2	8/2004	Sigler et al.	
6,883,188	B2	4/2005	Sigler et al.	
6,957,450	B2	10/2005	Sigler et al.	
6,981,285	B2	1/2006	Sigler et al.	
6,991,192	B2	1/2006	Phillips et al.	
D531,711	S	11/2006	Bradford	

(Continued)

FOREIGN PATENT DOCUMENTS

EM	000543921	6/2006
EP	1657369	7/2006

(Continued)

OTHER PUBLICATIONS

Transmittal Letter of Related Cases.

(Continued)

Primary Examiner — Robert M. Spear

Assistant Examiner — John A Voytek

(74) *Attorney, Agent, or Firm* — Middleton Reutlinger

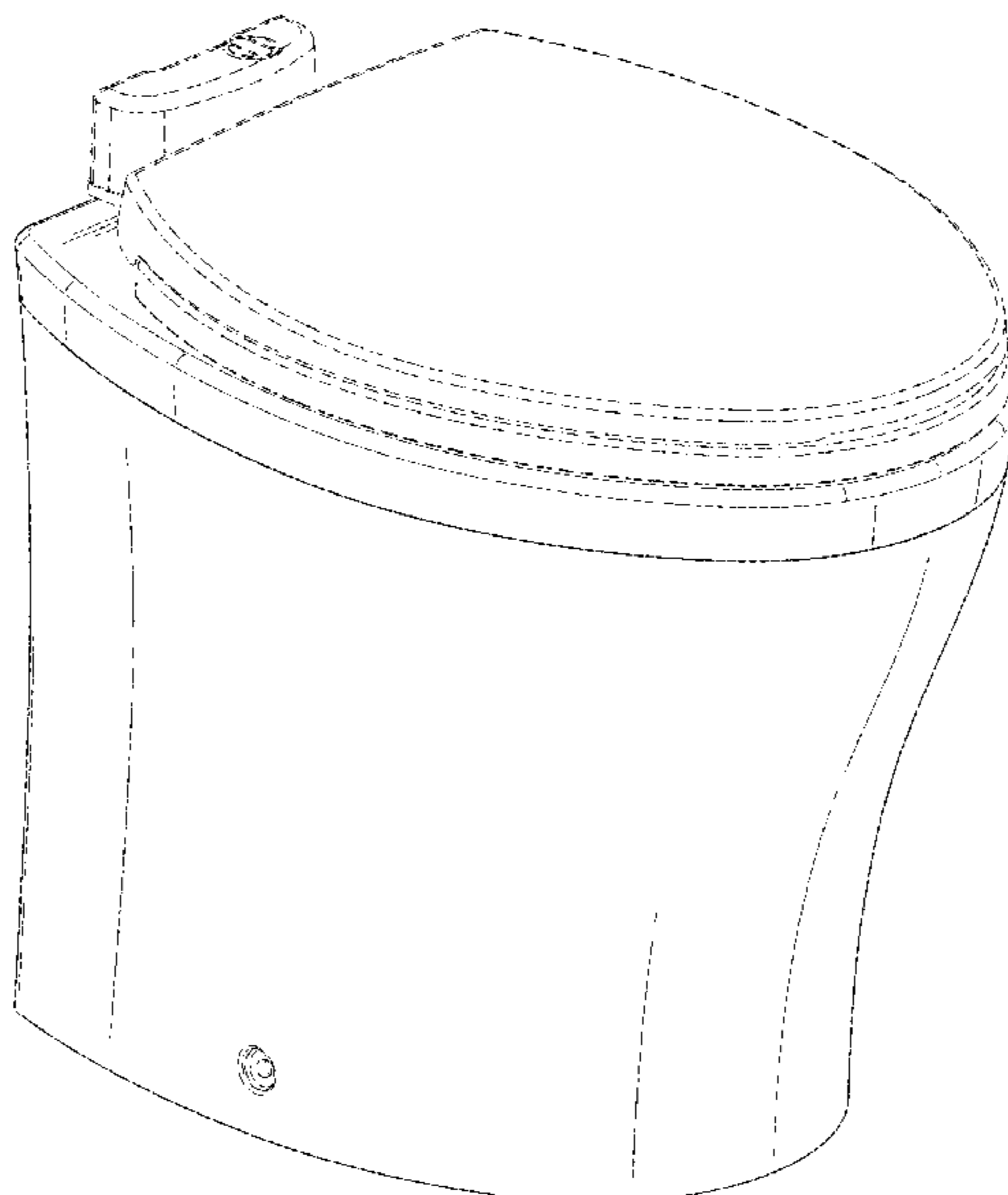
(57) **CLAIM**

The ornamental design for a toilet, as shown and described.

DESCRIPTION

FIG. 1 is a front perspective view of a toilet design; FIG. 2 is a front elevation view of the design of FIG. 1; FIG. 3 is a rear elevation view of the design of FIG. 1; FIG. 4 is a top plan view of the design of FIG. 1; FIG. 5 is a bottom plan view of the design of FIG. 1; FIG. 6 is a left side elevation view of the design of FIG. 1; and, FIG. 7 is a right side elevation view of the design of FIG. 1. The broken lines illustrating portions of the toilet form no part of the claimed design.

1 Claim, 7 Drawing Sheets



(56)

References Cited

U.S. PATENT DOCUMENTS

D532,492 S 11/2006 Giese
 D587,791 S 3/2009 Jaeckel et al.
 7,725,961 B2 6/2010 Martinez et al.
 D621,487 S * 8/2010 Toyohara D23/300
 D639,401 S * 6/2011 Starck D23/295
 D658,277 S * 4/2012 Iranyi D23/295
 D663,391 S * 7/2012 Iranyi D23/295
 8,276,218 B2 10/2012 Grech
 8,499,368 B2 8/2013 Wunderlich et al.
 8,528,123 B2 9/2013 Hashem et al.
 D693,910 S * 11/2013 Bates D23/295
 8,656,524 B2 2/2014 McKiernan
 D701,949 S * 4/2014 Bates D23/295
 D708,719 S 7/2014 Jochim et al.
 D708,720 S 7/2014 Jochim et al.
 D708,722 S 7/2014 Jochim et al.
 8,769,730 B2 7/2014 Pohler et al.
 8,997,268 B2 4/2015 Miller et al.
 9,079,187 B2 7/2015 Ballestra
 9,399,183 B2 7/2016 McVay et al.
 D765,228 S * 8/2016 Cummings D23/300
 9,617,993 B2 4/2017 Mehta
 9,676,347 B2 6/2017 Jochim et al.
 2006/0112478 A1 * 6/2006 Kolar F04D 15/0209
 4/300
 2009/0014079 A1 1/2009 Stegall
 2010/0125940 A1 5/2010 Sigler et al.
 2012/0278985 A1 11/2012 Cornille
 2013/0081200 A1 4/2013 Jochim
 2015/0059072 A1 3/2015 Jochim
 2015/0059075 A1 3/2015 Oxenfarth

FOREIGN PATENT DOCUMENTS

EP 1845209 10/2007
 EP 1889979 2/2008
 WO 7800009 12/1978
 WO 2006102871 10/2006
 WO 2016088105 6/2016

OTHER PUBLICATIONS

Canadian Intellectual Property Office; Canadian Design Patent Application No. 174705 entitled "Power Wand" filed on May 10, 2017.
 Canadian Design Patent Application No. [TBD] filed May 8, 2017.
 European Design Patent Application No. 004008704 filed May 19, 2017.
 Transmittal Letter of Related Cases Nov. 14, 2016.
 Dometic; Sealand, Sanitation Product Guide (pp. 1-40) Jan. 22, 2016.
 Dometic; Sealand, Vacuflush Product Guide (pp. 1-32) Jan. 22, 2016.
 Amazon Thetford Macerating Elongated Toilet Kit Jul. 13, 2017.
 Dometic Products Catalog 2015; Toilets.
 Dometic Products Catalog 2016; Toilets.
 International Search Report and Written Opinion for PCT/IB2015/059382 dated Mar. 1, 2016.
 Jabsco Products, 14" Deluxe Flush Electric Toilets; Model No. 58xx0 14" Series, Mar. 14, 2012.
 Jabsco Products, 17" Deluxe Flush Electric Toilets; Model No. 58xx0 17" Series, Mar. 14, 2012.
 Jabsco Products, Electric Toilets, Nov. 12, 2011.
 Thetford Marine, Tecma Easy Fit Toilet, Oct. 16, 2014.
 Thetford Marine, Tecma Silence Plus Toilet, Oct. 6, 2014.
 U.S. Appl. No. 15/533,284 entitled "Macerator Toilet Assembly" filed Jun. 5, 2017.

* cited by examiner

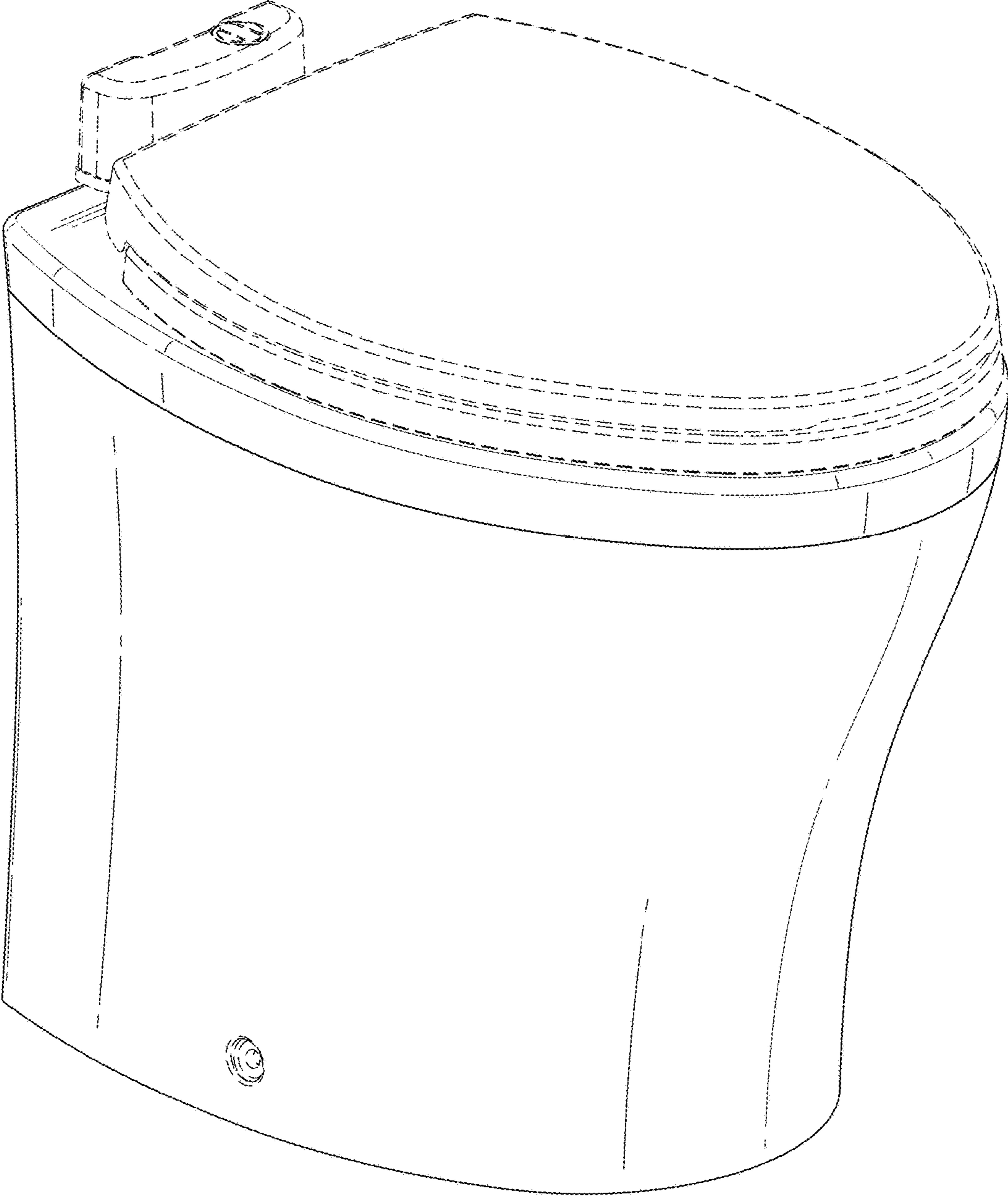


FIG. 1

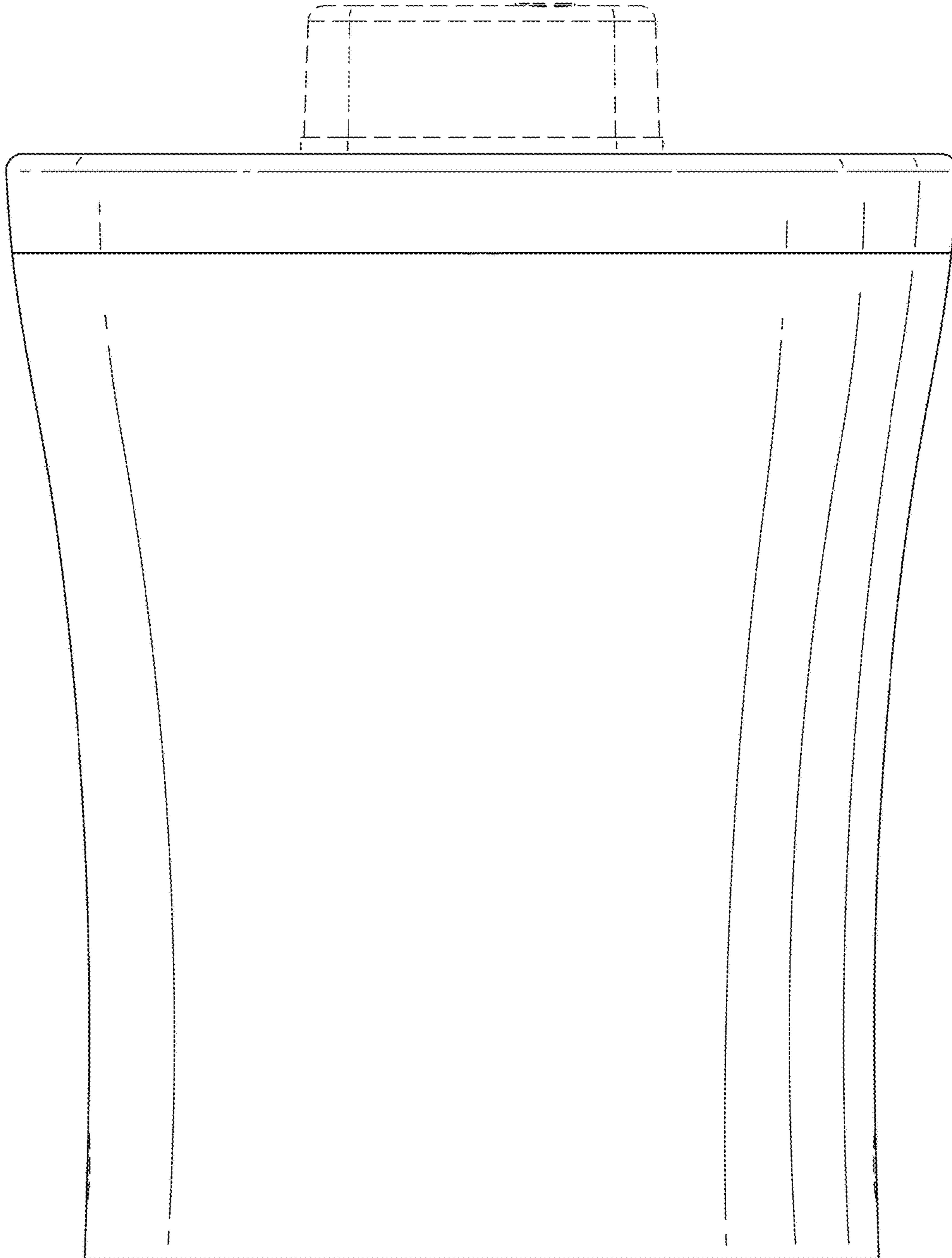


FIG. 2

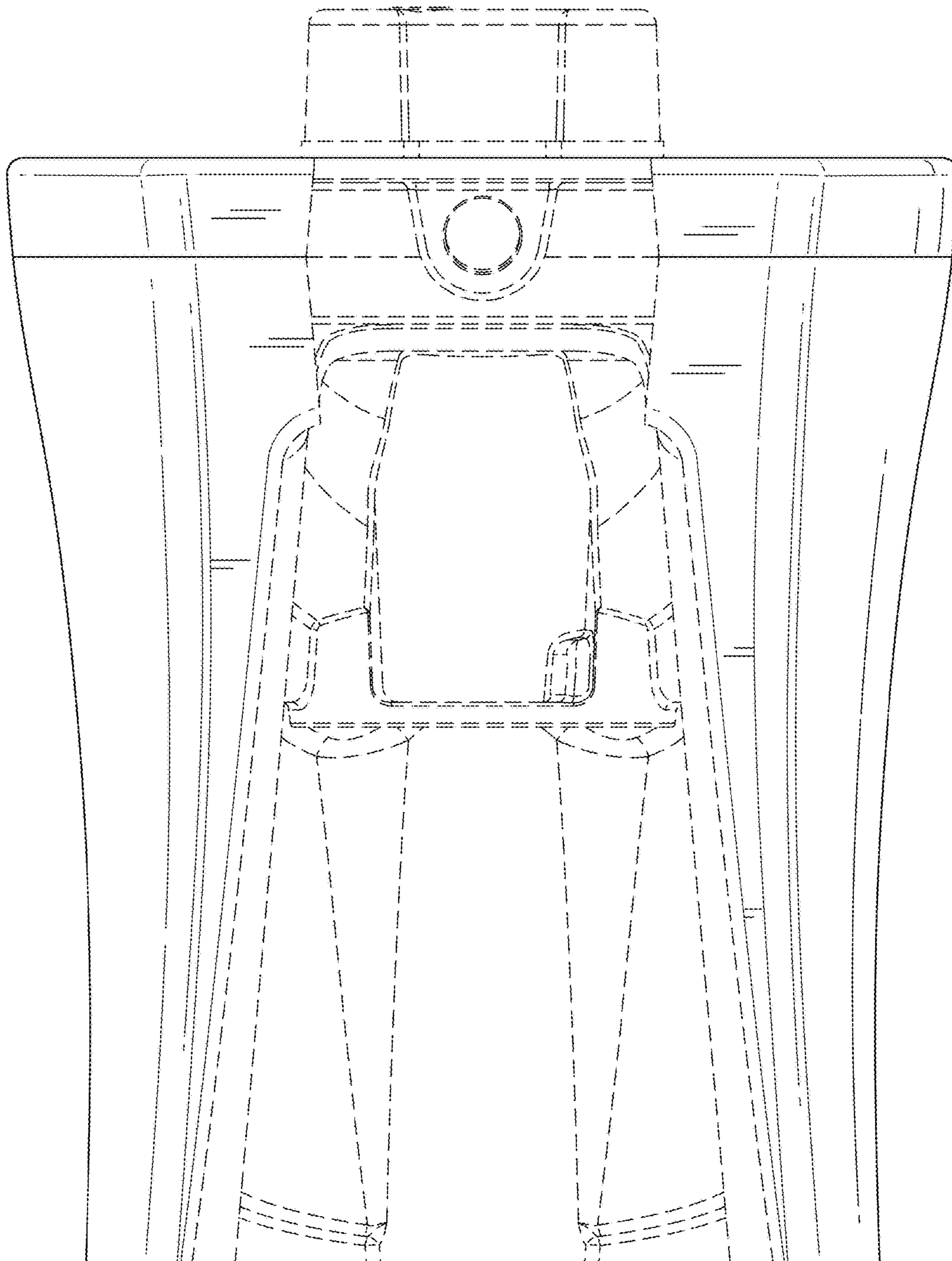


FIG. 3

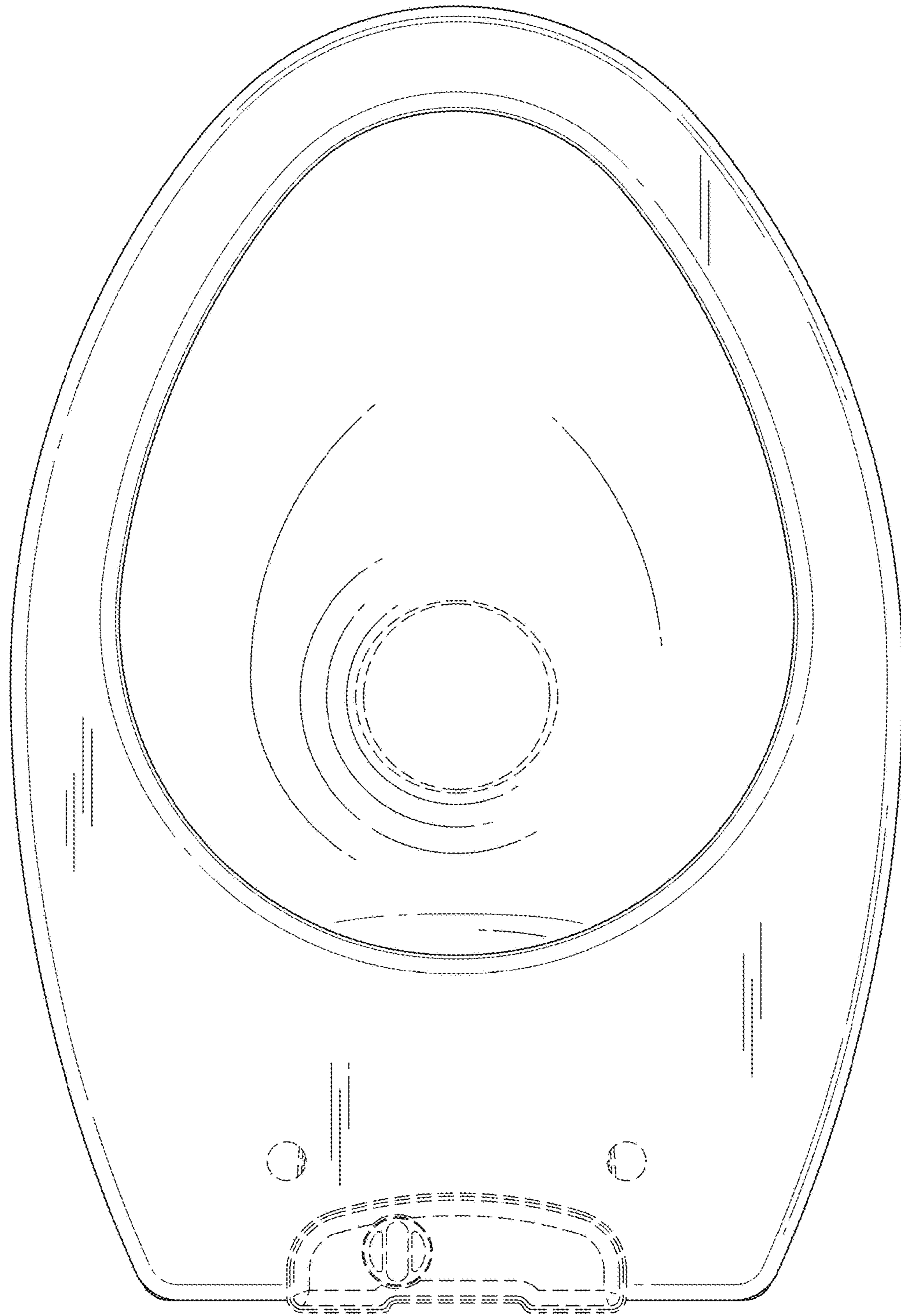


FIG. 4

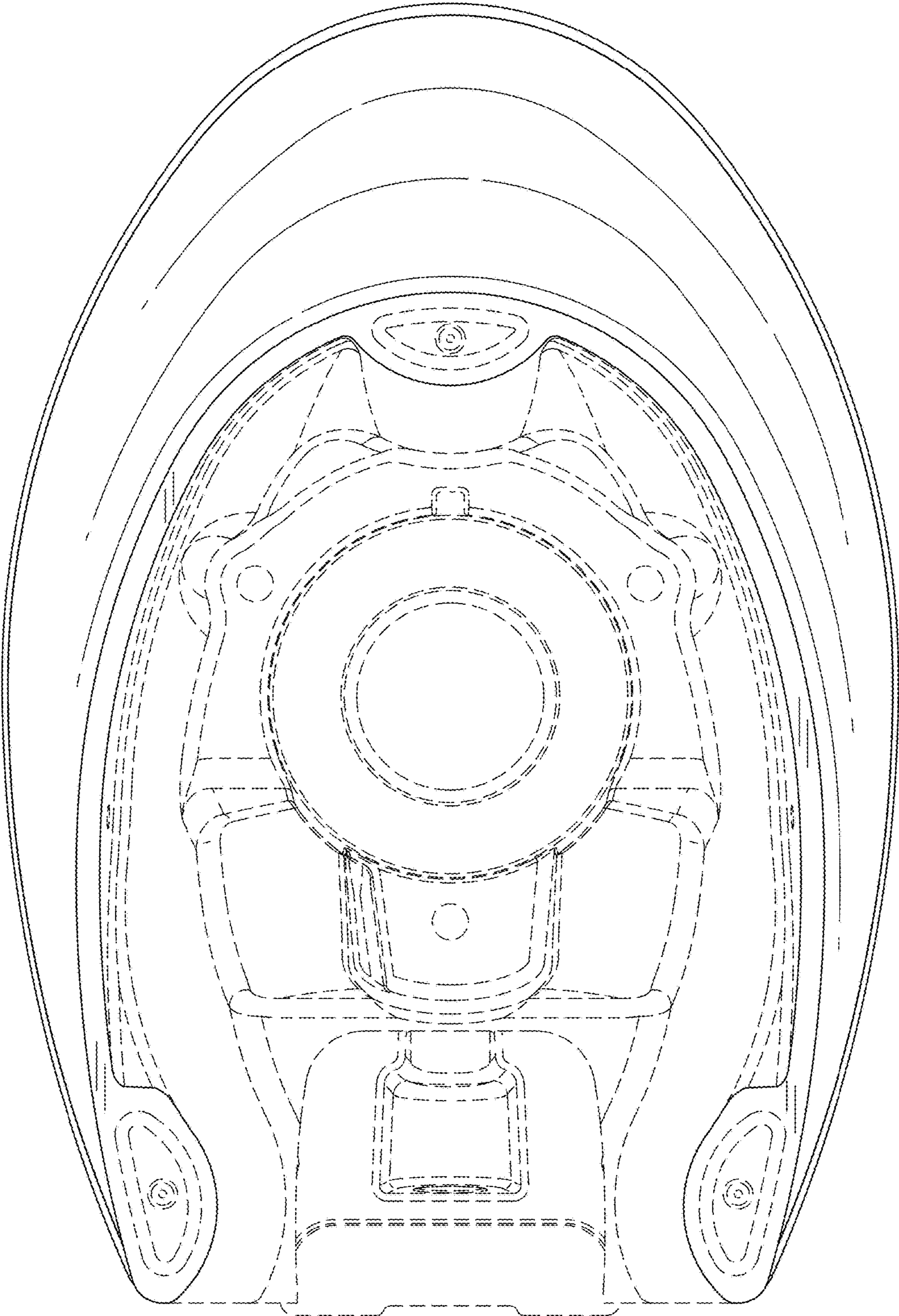


FIG. 5

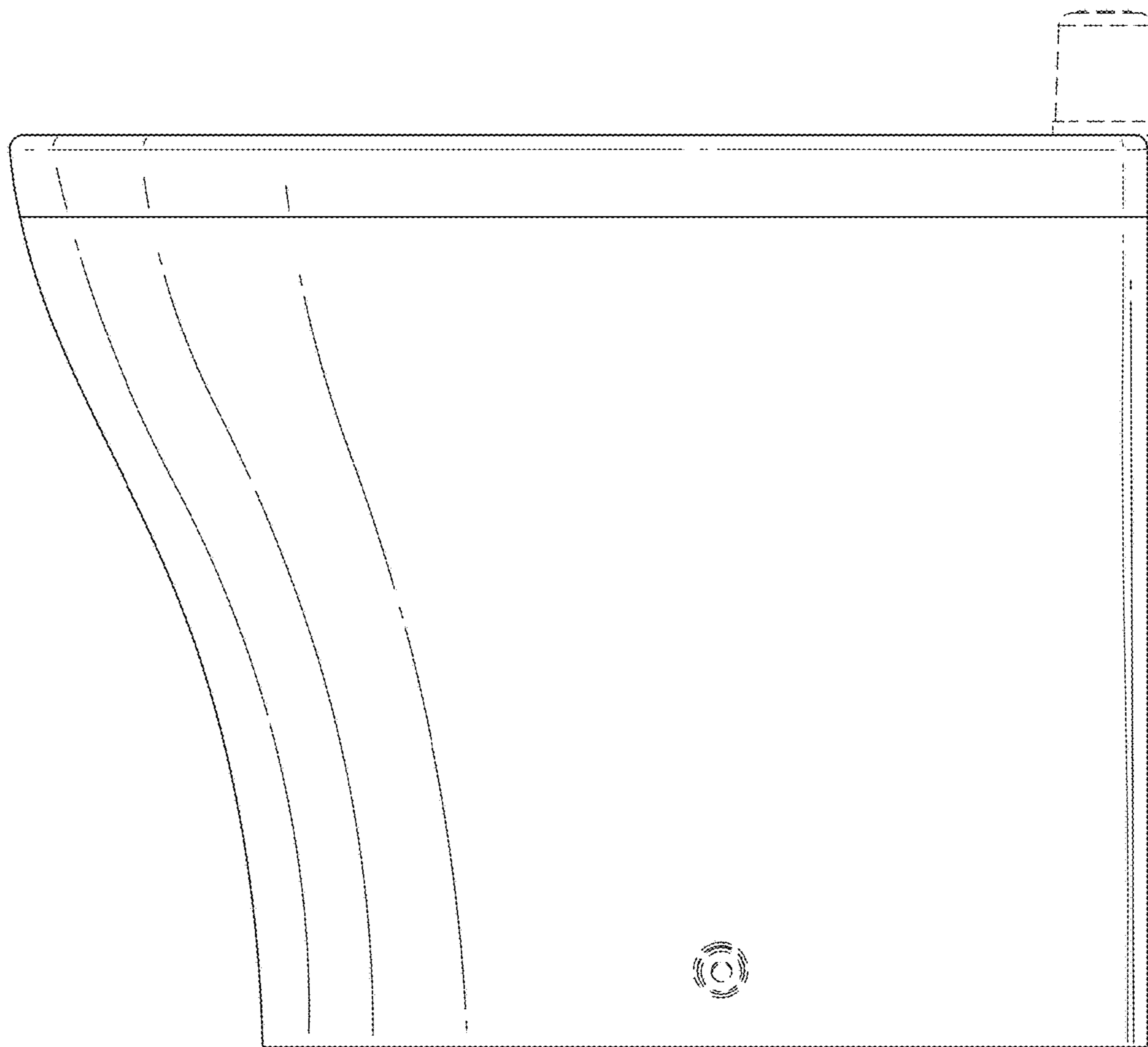


FIG. 6

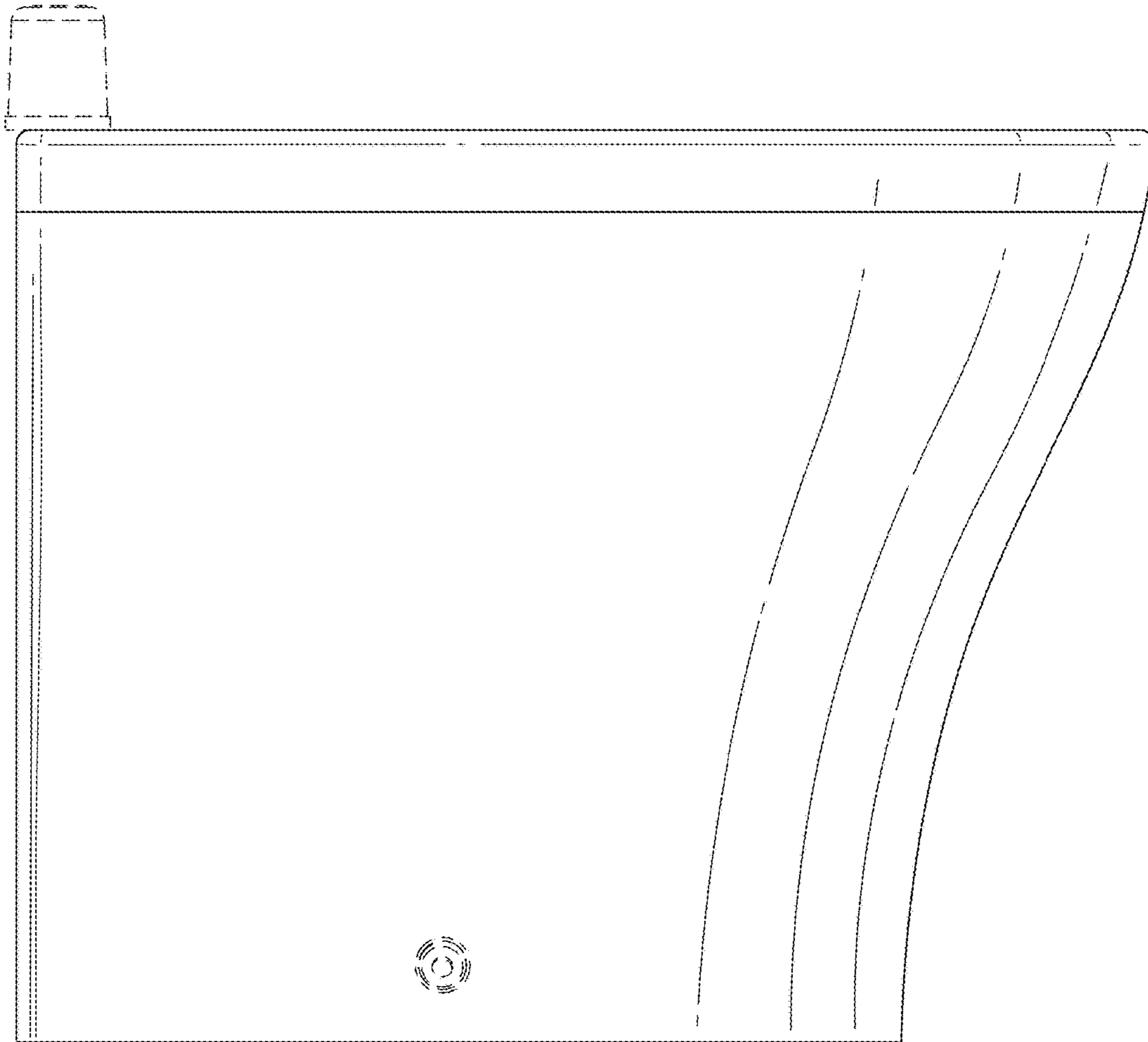


FIG. 7