



US00D811561S

(12) **United States Design Patent**
Yoshioka et al.

(10) **Patent No.:** **US D811,561 S**

(45) **Date of Patent:** **** Feb. 27, 2018**

(54) **LAVATORY**

(71) Applicant: **TOTO, Ltd.**, Kitakyushu-shi, Fukuoka (JP)

(72) Inventors: **Yuji Yoshioka**, Kitakyushu (JP);
Masanobu Wano, Kitakyushu (JP)

(73) Assignee: **TOTO, Ltd.**, Kitakyushu-shi, Fukuoka (JP)

(**) Term: **15 Years**

(21) Appl. No.: **29/593,596**

(22) Filed: **Feb. 10, 2017**

(30) **Foreign Application Priority Data**

Sep. 26, 2016 (JP) 2016-020581

(51) **LOC (11) Cl.** **23-02**

(52) **U.S. Cl.**
USPC **D23/293.1**

(58) **Field of Classification Search**
USPC D23/284–293.1, 303, 308; D6/329, 573,
D6/657, 663–666, 671, 671.1, 671.4
CPC A47K 1/04; A47B 77/06; A47J 47/20
See application file for complete search history.

(56) **References Cited**

U.S. PATENT DOCUMENTS

D232,638 S * 9/1974 Mather D23/284
D398,971 S * 9/1998 McKeone D23/293.1

D538,904 S * 3/2007 Kakihana D23/293.1
D560,778 S * 1/2008 Paterson D23/293.1
D583,029 S * 12/2008 Jiang D23/293.1
D635,227 S * 3/2011 DuFour D23/284
D635,229 S * 3/2011 DuFour D23/293.1
D656,593 S * 3/2012 Stauffer D23/293.1
D740,924 S * 10/2015 Casey D23/293.1
D762,827 S * 8/2016 Clarke D23/293.1

* cited by examiner

Primary Examiner — Robert M. Spear

Assistant Examiner — John A Voytek

(74) *Attorney, Agent, or Firm* — Banner & Witcoff, Ltd.

(57) **CLAIM**

The ornamental design for a lavatory, as shown and described.

DESCRIPTION

FIG. 1 is a perspective view of a lavatory showing our new design;

FIG. 2 is a front view thereof;

FIG. 3 is a rear view thereof;

FIG. 4 is a left side view thereof;

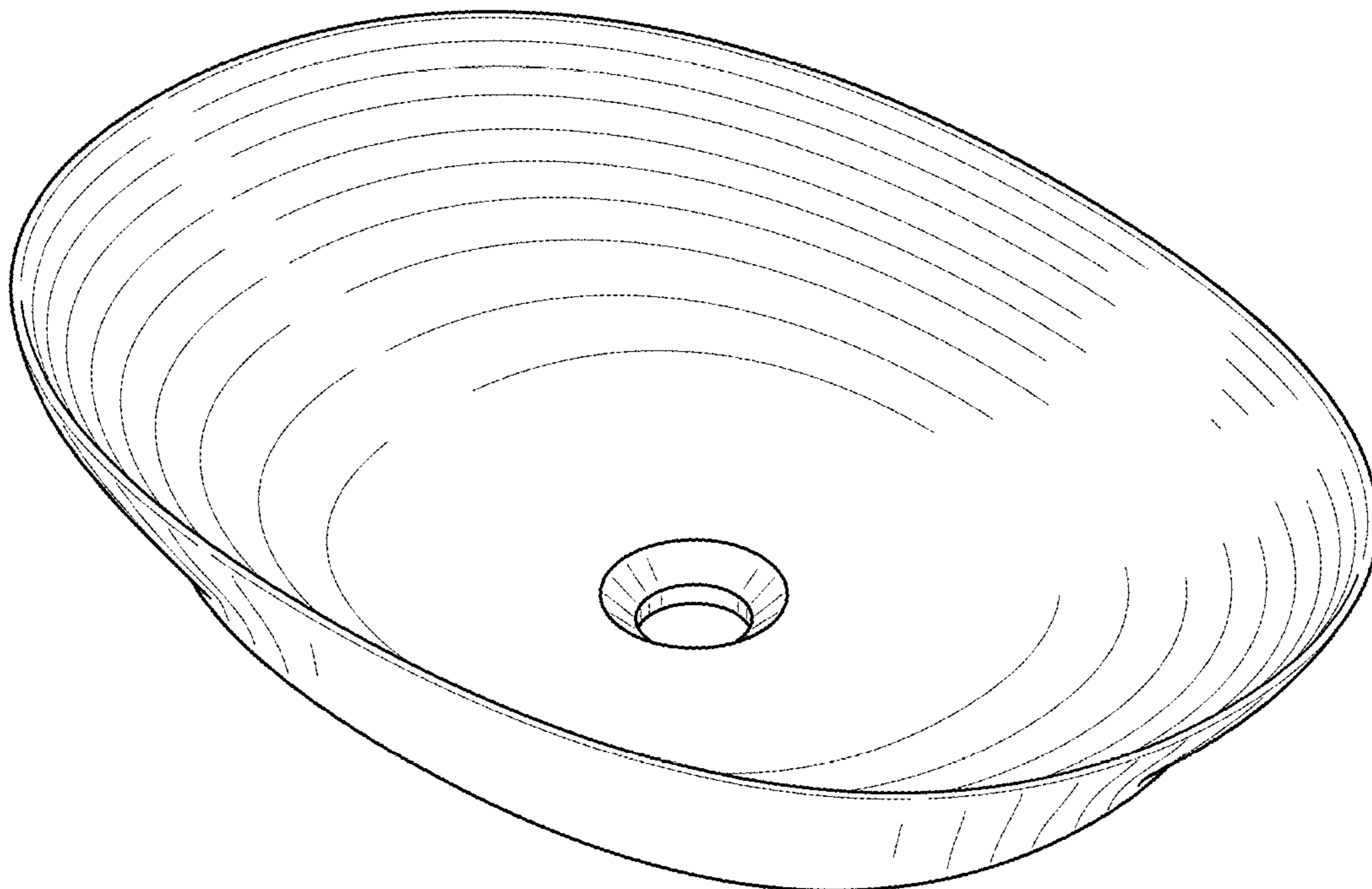
FIG. 5 is a right side view thereof;

FIG. 6 is a top view thereof; and,

FIG. 7 is a bottom view thereof.

The broken lines in the figures are included for the purpose of illustrating portions of the lavatory that form no part of the claimed design.

1 Claim, 3 Drawing Sheets



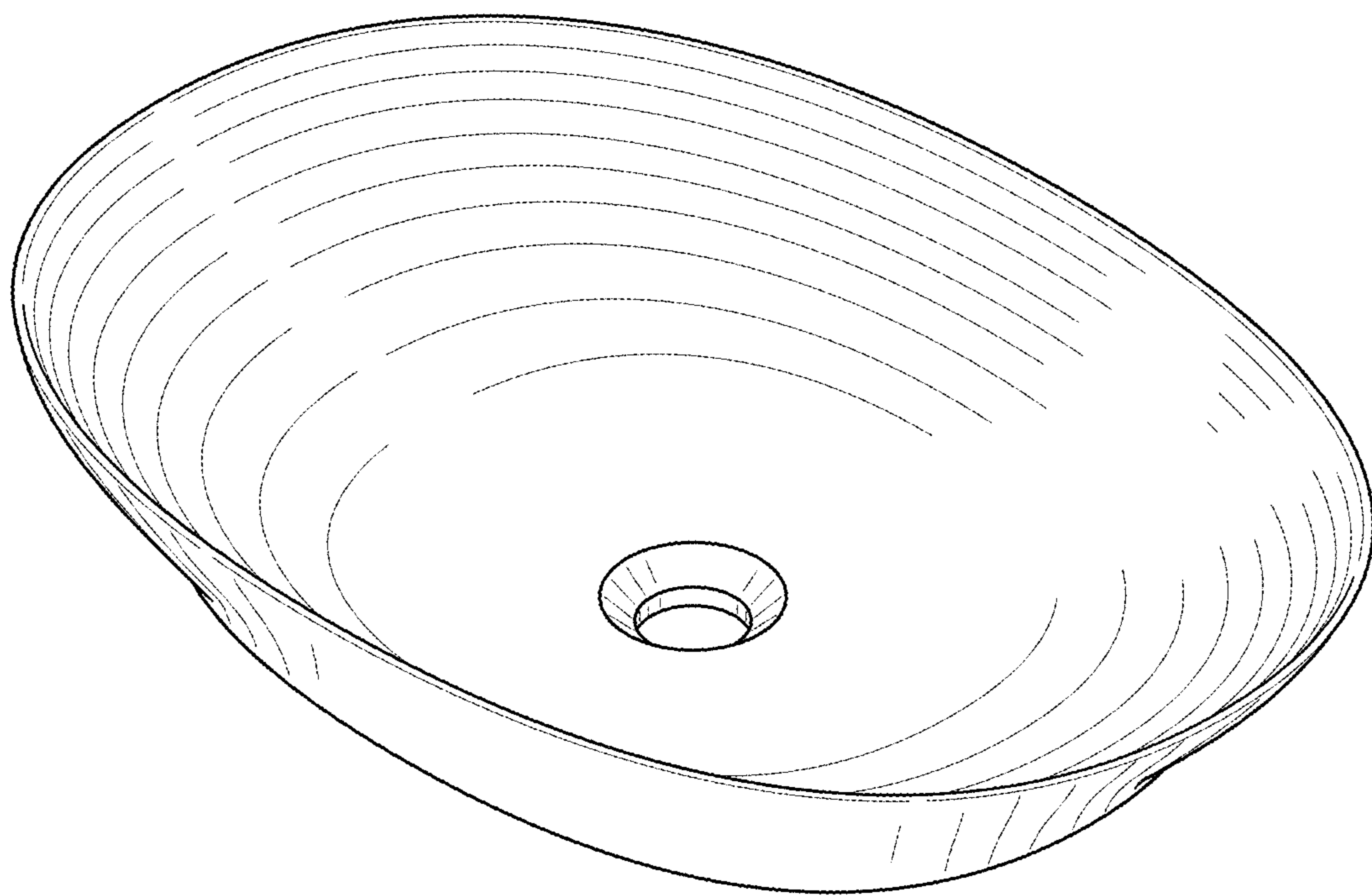


FIG. 1

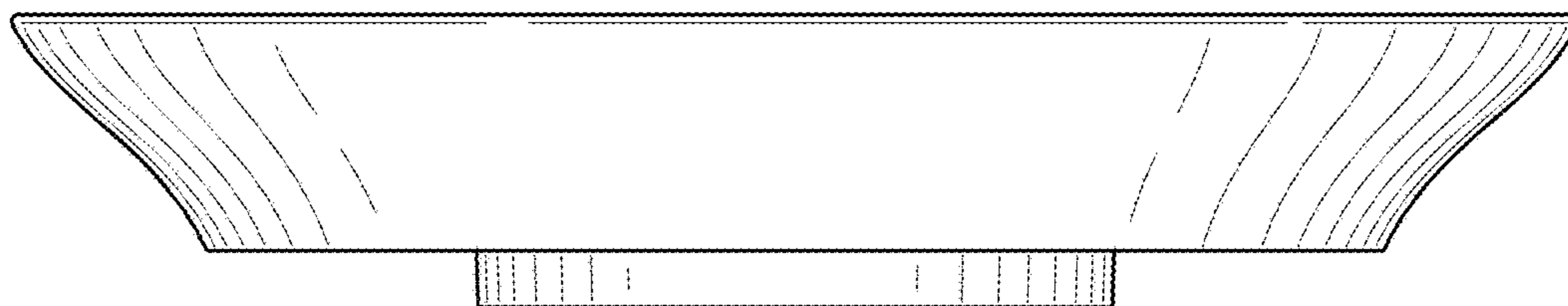


FIG. 2

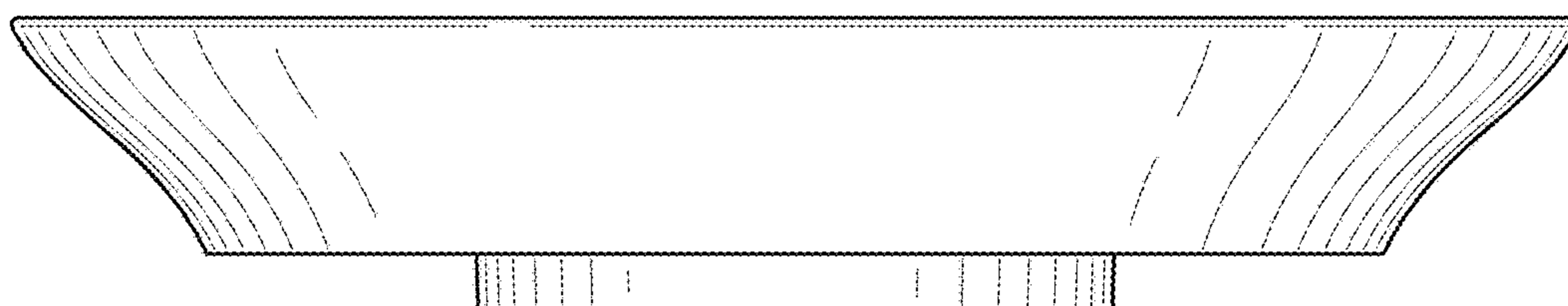


FIG. 3

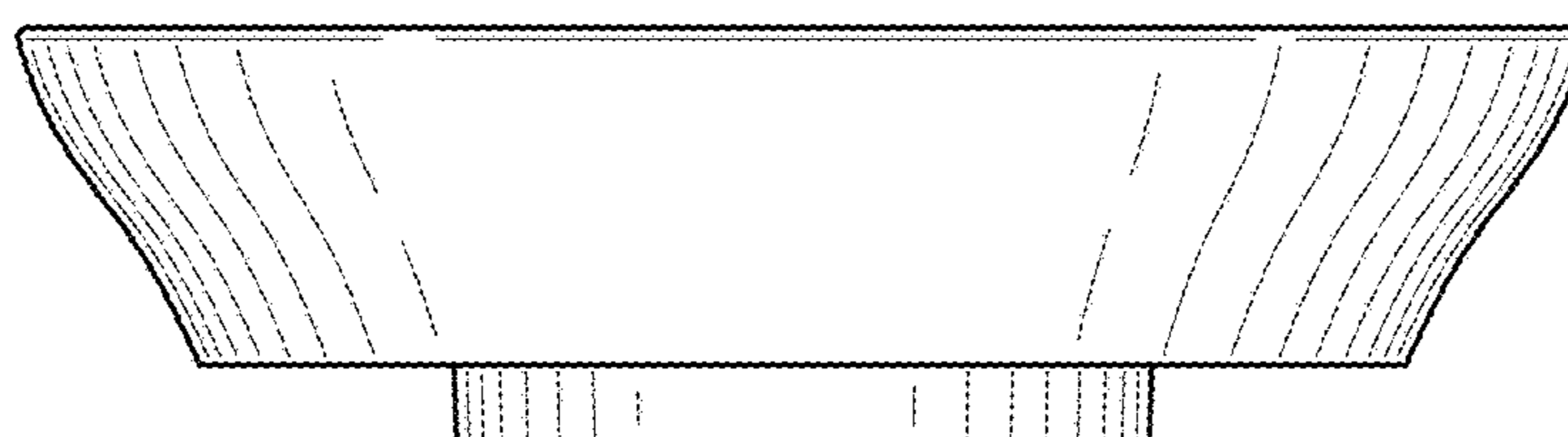


FIG. 4

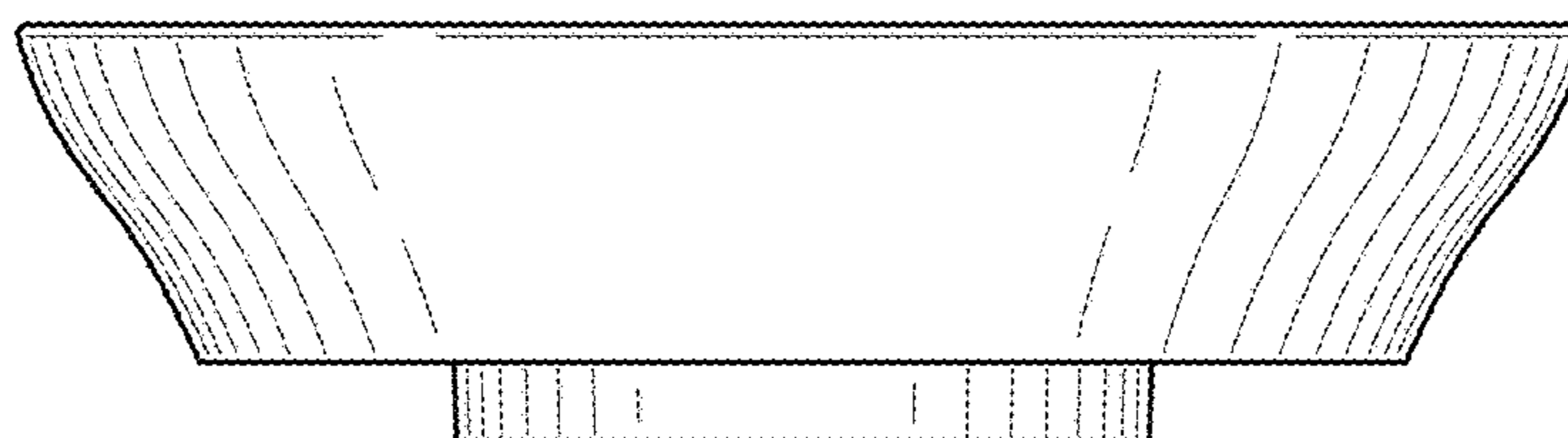


FIG. 5

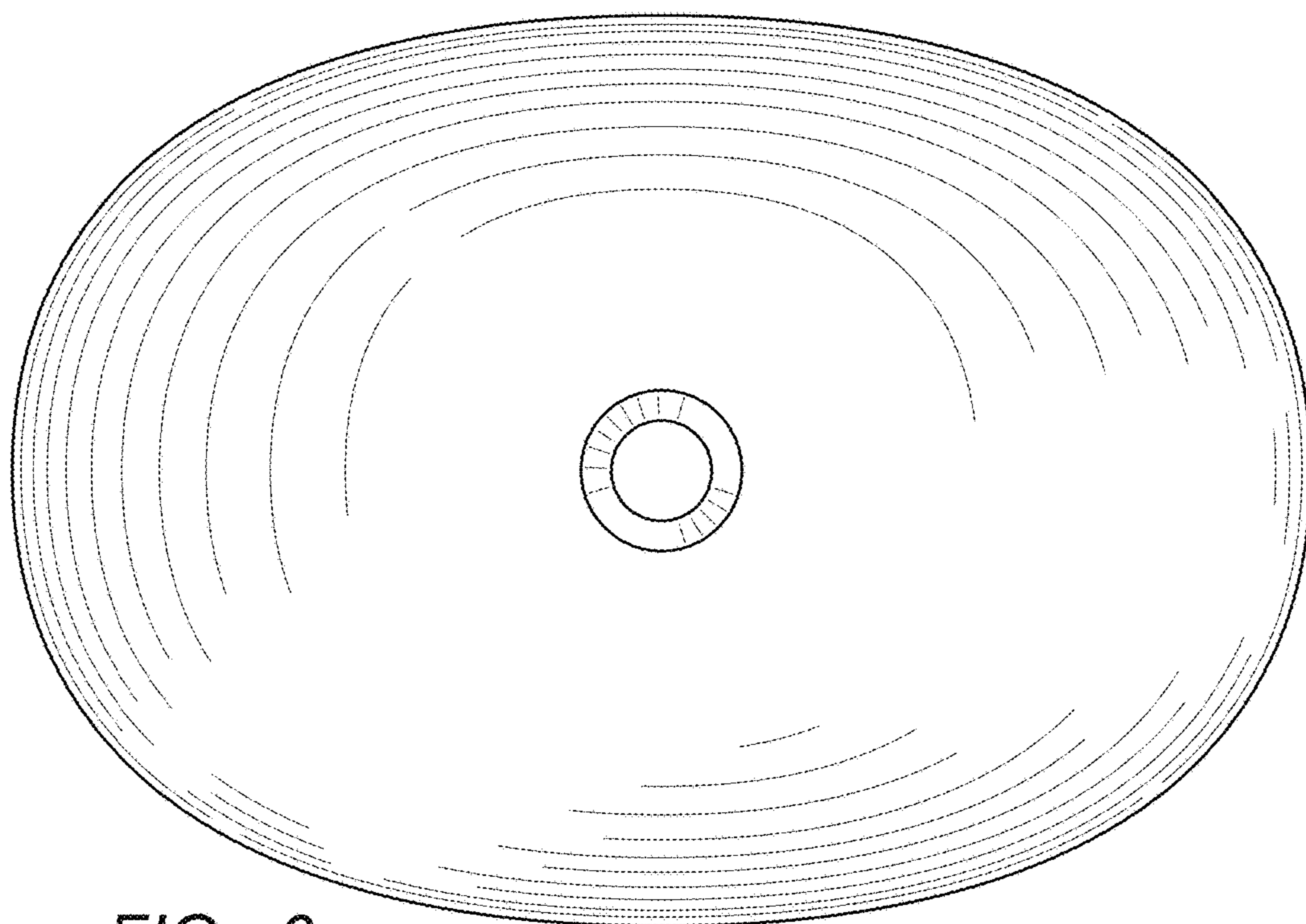


FIG. 6

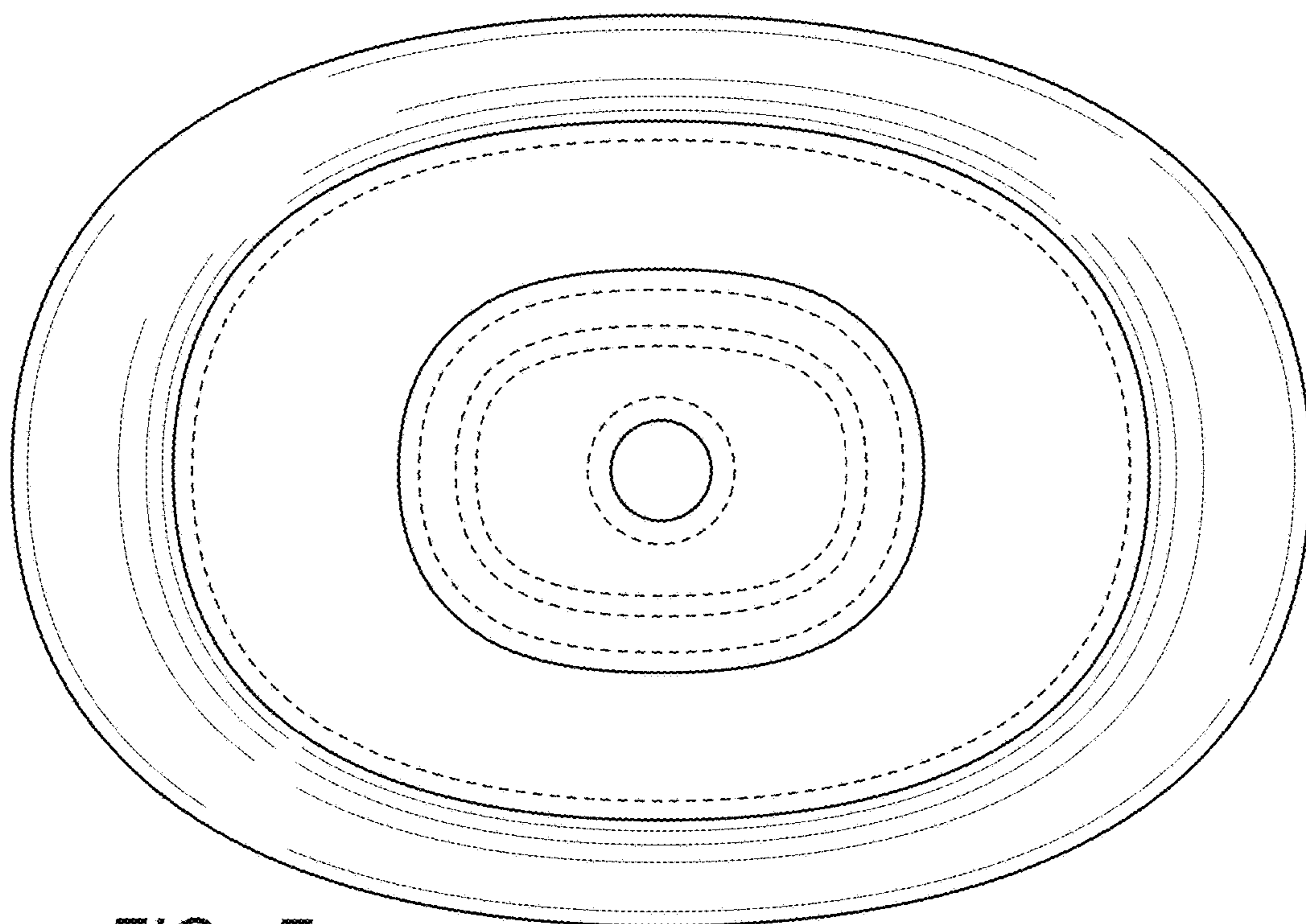


FIG. 7