



US00D811559S

(12) **United States Design Patent** (10) **Patent No.:** **US D811,559 S**  
**Schoenherr et al.** (45) **Date of Patent:** **\*\* \*Feb. 27, 2018**

(54) **WASH BASIN**

(56) **References Cited**

(71) Applicant: **HANSGROHE SE**, Schiltach (DE)

U.S. PATENT DOCUMENTS

(72) Inventors: **Tom Schoenherr**, Stuttgart (DE);  
**Andreas Diefenbach**,  
Ludwigsburg-Oßweil (DE); **Yunwei**  
**Zhu**, Stuttgart (DE)

D586,444 S \* 2/2009 Ziemann ..... D23/290  
D586,890 S \* 2/2009 Ziemann ..... D23/290  
D669,560 S \* 10/2012 Booth ..... D23/290  
D669,562 S \* 10/2012 Booth ..... D23/290  
D685,892 S \* 7/2013 Dickout ..... D23/290  
D707,802 S \* 6/2014 Jepson ..... D23/290  
D708,307 S \* 7/2014 Kurth ..... D23/290  
D769,424 S \* 10/2016 Eilmus ..... D23/290

(73) Assignee: **Hansgrohe SE**, Schiltach (DE)

FOREIGN PATENT DOCUMENTS

(\*) Notice: This patent is subject to a terminal disclaimer.

CN 303566204 S 1/2016

(\*\*) Term: **15 Years**

\* cited by examiner

(21) Appl. No.: **29/560,118**

*Primary Examiner* — Robert M Spear

*Assistant Examiner* — John Voytek

(22) Filed: **Apr. 4, 2016**

(74) *Attorney, Agent, or Firm* — Lora J Graentzdoerffer

(30) **Foreign Application Priority Data**

(57) **CLAIM**

The ornamental design for a wash basin, as shown and described.

Oct. 6, 2015 (EM) ..... 002811992

(51) **LOC (11) Cl.** ..... **23-02**

(52) **U.S. Cl.**

USPC ..... **D23/290**

(58) **Field of Classification Search**

USPC ..... D23/284, 293.1, 287-292, 303, 308;  
D9/425

CPC ..... A47K 1/04; A47B 77/06; A47J 47/20

See application file for complete search history.

**DESCRIPTION**

FIG. 1 is a perspective view of a wash basin showing our design; and,

FIG. 2 is a top plan view.

The broken-line disclosure in the view represents portions of the article which forms no part of the claimed design.

**1 Claim, 2 Drawing Sheets**

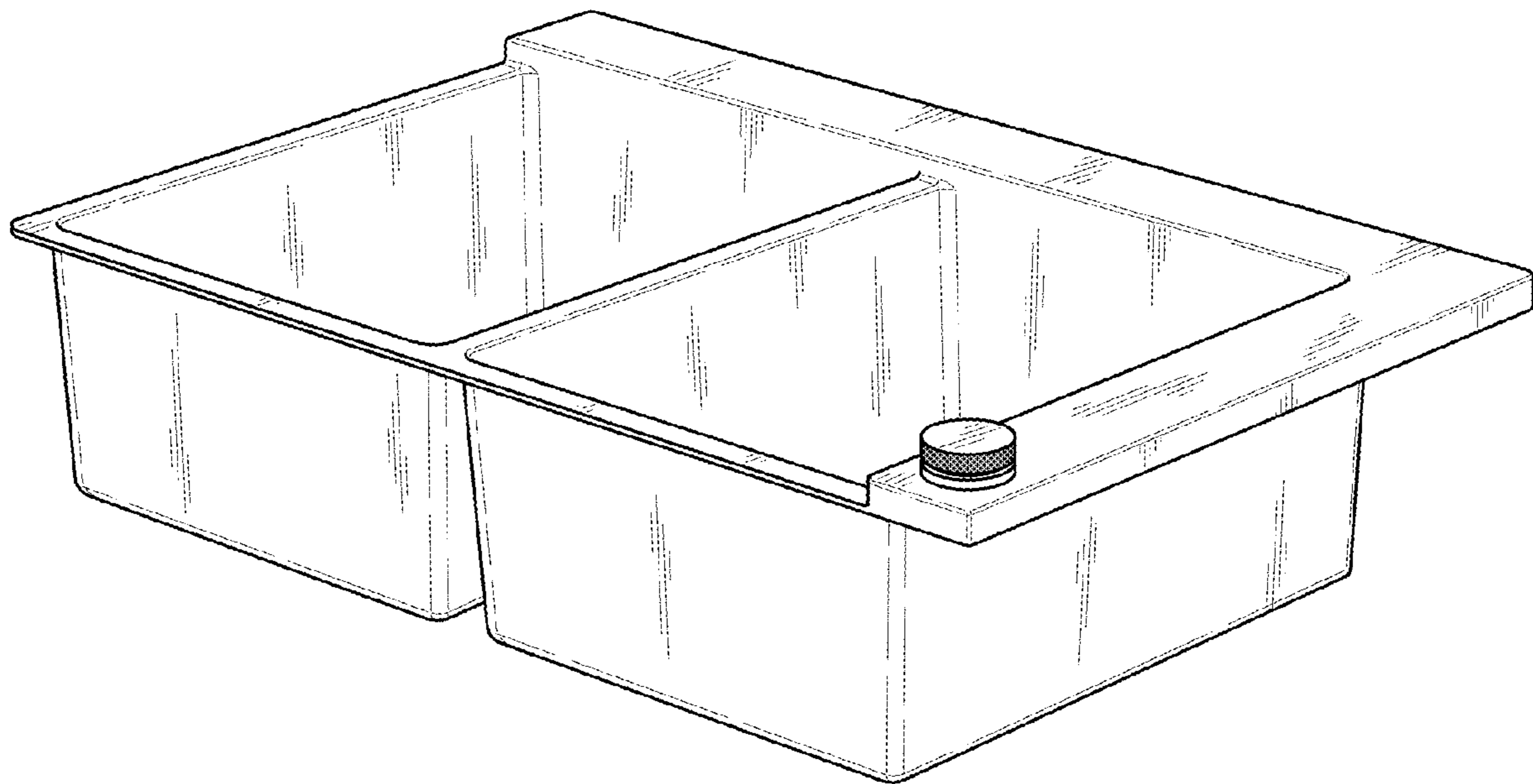


FIG. 1

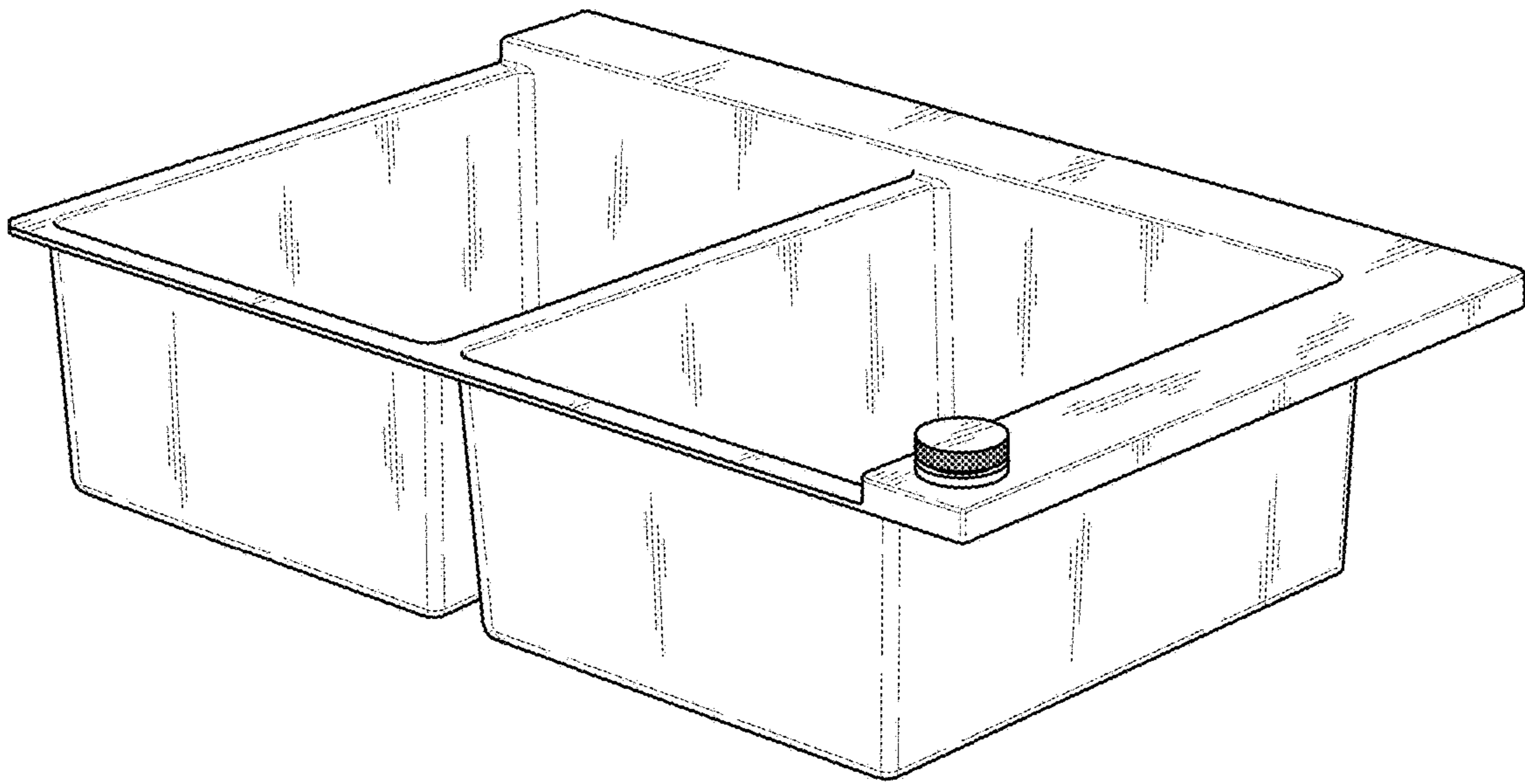


FIG. 2

