



US00D811558S

(12) **United States Design Patent**
Howson

(10) **Patent No.:** **US D811,558 S**

(45) **Date of Patent:** **** Feb. 27, 2018**

(54) **DRAINAGE OUTLET**

(71) Applicant: **Elfblend Pty Ltd**, Southport,
Queensland (AU)

(72) Inventor: **Leslie Lawrence Howson**, Ashmore
(AU)

(73) Assignee: **ELFBLEND PTY LTD** (AU)

(**) Term: **15 Years**

(21) Appl. No.: **29/572,285**

(22) Filed: **Jul. 26, 2016**

(51) **LOC (11) Cl.** **23-01**

(52) **U.S. Cl.**
USPC **D23/261**

(58) **Field of Classification Search**
USPC D23/209–210, 259–262, 268–269, 233,
D23/263, 266; 4/286–295, 252.6, 650,
4/652, 674, 679, 688; 210/232;
251/215–216; 137/247, 247.41, 247.51;
285/133.3, 133.4, 133.5, 133.6, 133.11,
285/133.21, 369, 372, 373, 417
CPC ... E03C 1/26; E03C 1/262; E03C 1/28; E03C
1/298; E03C 1/23; E03C 1/24; E03C
1/264; F16L 11/00; F16L 37/252; F16L
41/007; E03F 5/04

See application file for complete search history.

(56) **References Cited**

U.S. PATENT DOCUMENTS

1,646,994 A	10/1927	Decker
1,749,878 A	3/1930	Fleming
2,591,632 A	4/1952	Stavoe et al.
2,626,674 A	1/1953	Boosey
2,705,542 A	4/1955	Yavitch
2,783,852 A	3/1957	Sisk
2,859,452 A	11/1958	Seewack
D205,276 S	7/1966	Kort
3,311,391 A	3/1967	Harrell

3,800,486 A	4/1974	Harvey	
D234,847 S *	4/1975	Hoffman	D23/262
4,052,759 A *	10/1977	Hill	E03D 11/16 285/56
4,146,939 A *	4/1979	Izzi	E03C 1/26 4/286
4,207,632 A	6/1980	Savell	
4,212,486 A	7/1980	Logsdon	
4,457,030 A	7/1984	Buny	

(Continued)

FOREIGN PATENT DOCUMENTS

AU	721387	7/1998
CN	202672275	1/2013

(Continued)

OTHER PUBLICATIONS

Wondercap installation manual.

Primary Examiner — Eric L Goodman

Assistant Examiner — Amy C Wierenga

(74) *Attorney, Agent, or Firm* — Perkins Coie LLP

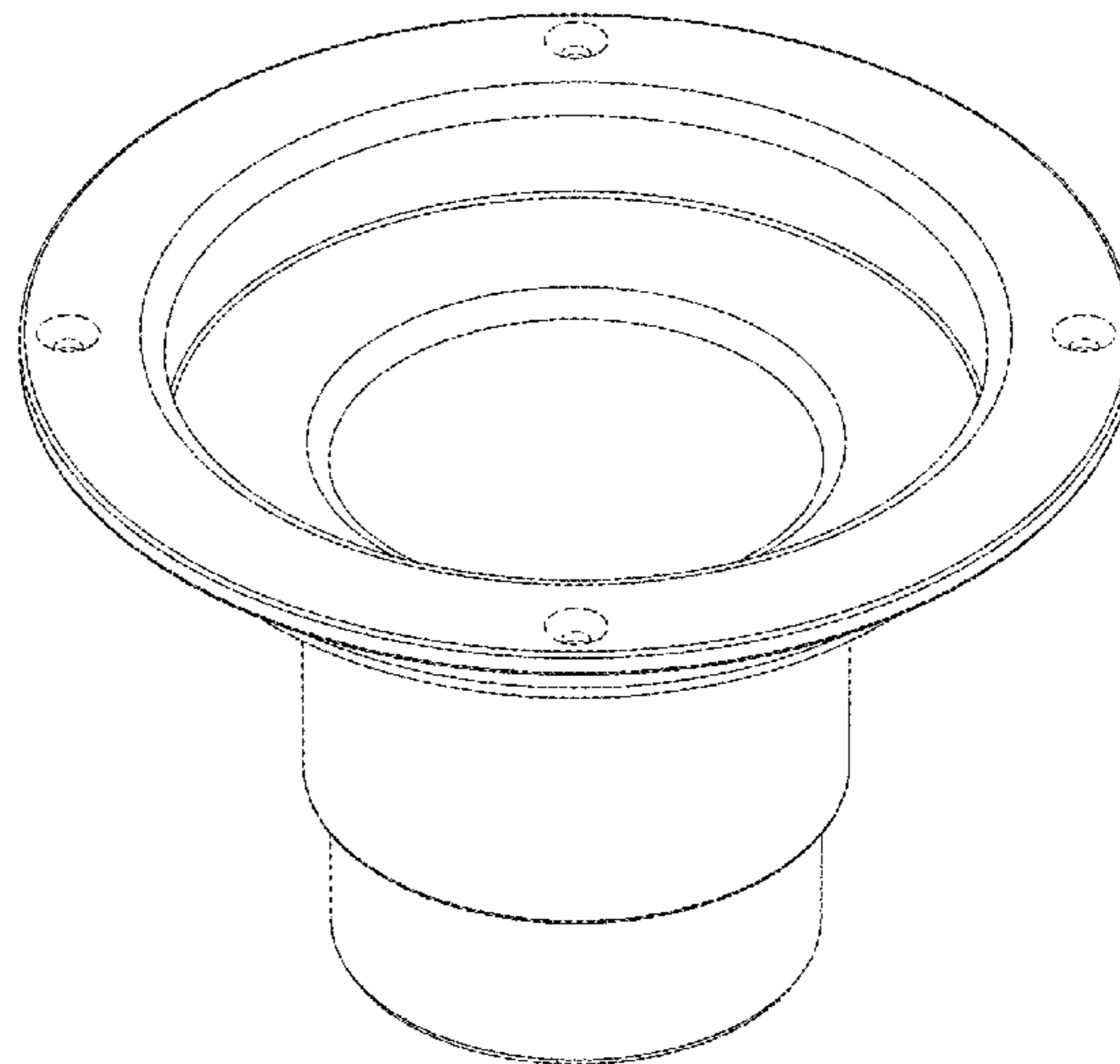
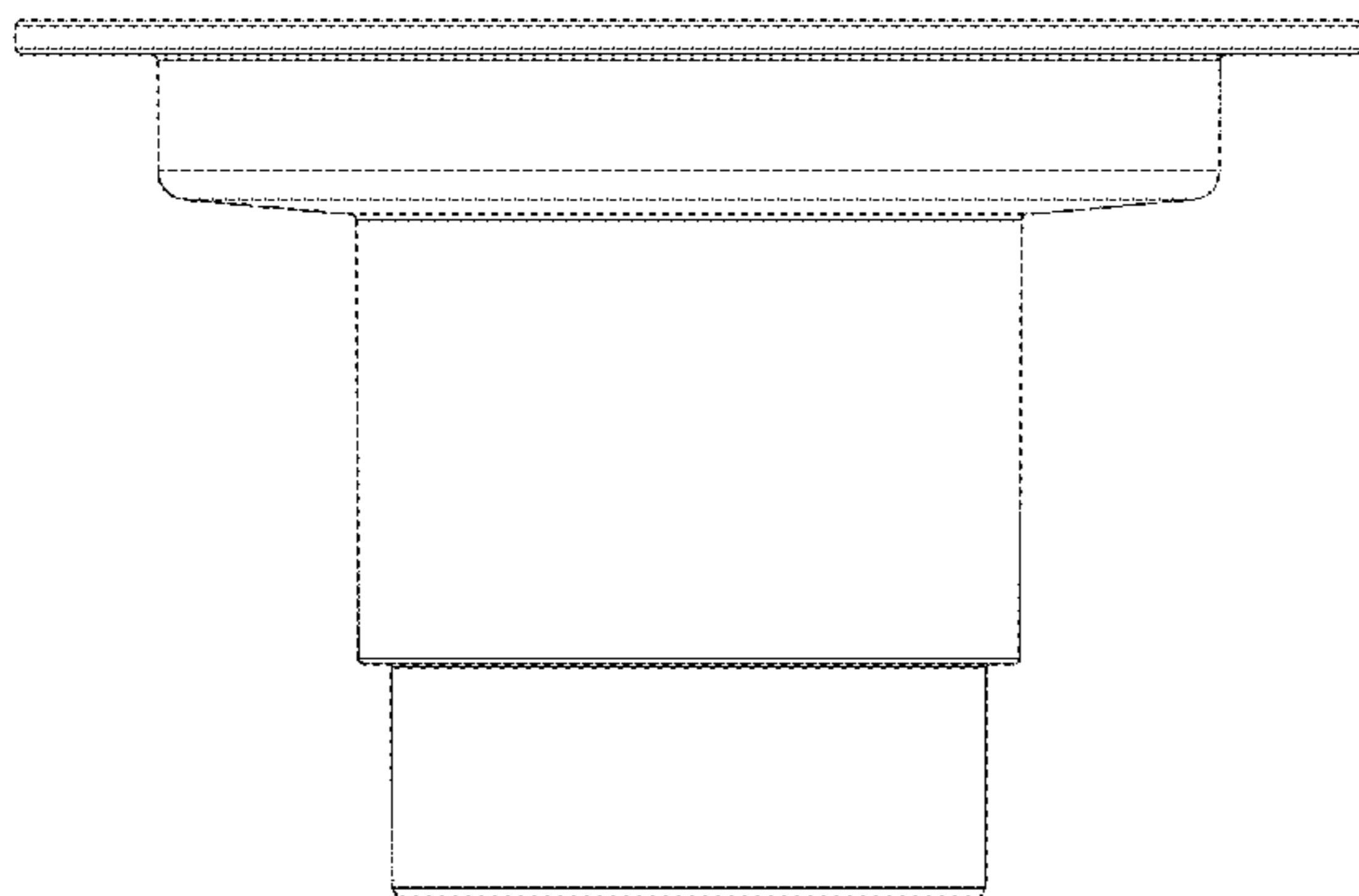
(57) **CLAIM**

I claim the ornamental design for a drainage outlet, as shown and described.

DESCRIPTION

FIG. 1 is a top plan view of the present invention;
FIG. 2 is a front side view of the present invention;
FIG. 3 is a bottom plan view of the present invention;
FIG. 4 is a rear side view of the present invention;
FIG. 5 is a top perspective view of the present invention;
and,
FIG. 6 is a bottom perspective view of the present invention.
The broken line showing is included for the purpose of illustrating portions of the article and forms no part of the claimed design.

1 Claim, 6 Drawing Sheets



(56)

References Cited

U.S. PATENT DOCUMENTS

4,883,590 A 11/1989 Papp
 4,964,180 A 10/1990 Harbeke
 5,124,031 A 6/1992 Dallmer
 5,377,361 A 1/1995 Piskula
 D402,354 S 12/1998 Strong et al.
 5,878,448 A 3/1999 Molter
 5,921,282 A 7/1999 Castillo et al.
 5,996,134 A 12/1999 Senninger
 6,076,559 A 6/2000 Castillo et al.
 6,085,362 A 7/2000 Huber
 6,092,244 A 7/2000 Rizzardi et al.
 D441,848 S 5/2001 Huang
 6,595,243 B2 7/2003 Tarr
 6,755,966 B1 6/2004 Reed
 6,789,275 B2* 9/2004 Spells, Sr. E03D 11/17
 285/56
 6,799,606 B1 10/2004 Howson
 D613,828 S 4/2010 Kinchen
 7,836,659 B1* 11/2010 Barnes E04G 23/02
 52/220.6
 8,112,827 B2* 2/2012 DeGooyer E03C 1/20
 4/288
 D657,848 S 4/2012 Howson
 D690,336 S* 9/2013 Gjertsen D15/144
 D728,758 S* 5/2015 Coronado D23/269
 D730,498 S* 5/2015 Gonzalez D23/269
 D774,630 S* 12/2016 Mehari D23/269
 D781,402 S* 3/2017 Yan D23/266
 D788,886 S* 6/2017 Salzer D23/259
 2004/0128752 A1 7/2004 Atkins et al.
 2007/0177942 A1 8/2007 Meyers
 2007/0209109 A1 9/2007 Meyers
 2008/0148477 A1* 6/2008 Shafik E03C 1/122
 4/679
 2008/0022455 A1 7/2008 McAlpine
 2008/0229494 A1 9/2008 DeGooyer et al.

2008/0277324 A1 11/2008 Meyers
 2009/0077735 A1 3/2009 Dallmer
 2010/0005581 A1 1/2010 McAlpine
 2010/0024107 A1 2/2010 Stimpson
 2010/0123307 A1* 5/2010 Coronado E03D 11/16
 285/56
 2010/0126917 A1 5/2010 Wroblewski
 2010/0133159 A1 6/2010 Priester
 2010/0235982 A1 9/2010 Stimpson
 2010/0288685 A1 11/2010 Meyers
 2011/0296606 A1 12/2011 Wedi
 2012/0005873 A1 1/2012 DeGooyer
 2012/0018362 A1 1/2012 Swanston
 2012/0036632 A1* 2/2012 Cook E03F 5/0408
 4/679
 2013/0061387 A1 3/2013 Stetson et al.
 2013/0318705 A1 12/2013 Plank et al.
 2014/0020174 A1* 1/2014 Evans E03F 5/0407
 4/679
 2014/0157514 A1 6/2014 Cook
 2016/0312458 A1* 10/2016 Mehari E03D 11/16

FOREIGN PATENT DOCUMENTS

DE	3620132	9/1987
DE	3819173	12/1989
DE	4411521	10/1995
DE	4329652	3/1998
EP	0051316	5/1982
EP	2395161 A1	12/2011
EP	2664722 A2	11/2013
GB	2172627 A	9/1986
GB	2331529	5/1999
WO	WO 2012/021601	2/2012
WO	WO 2012/021606	2/2012
WO	WO 2012/021616	2/2012
WO	WO 2012/021623	2/2012

* cited by examiner

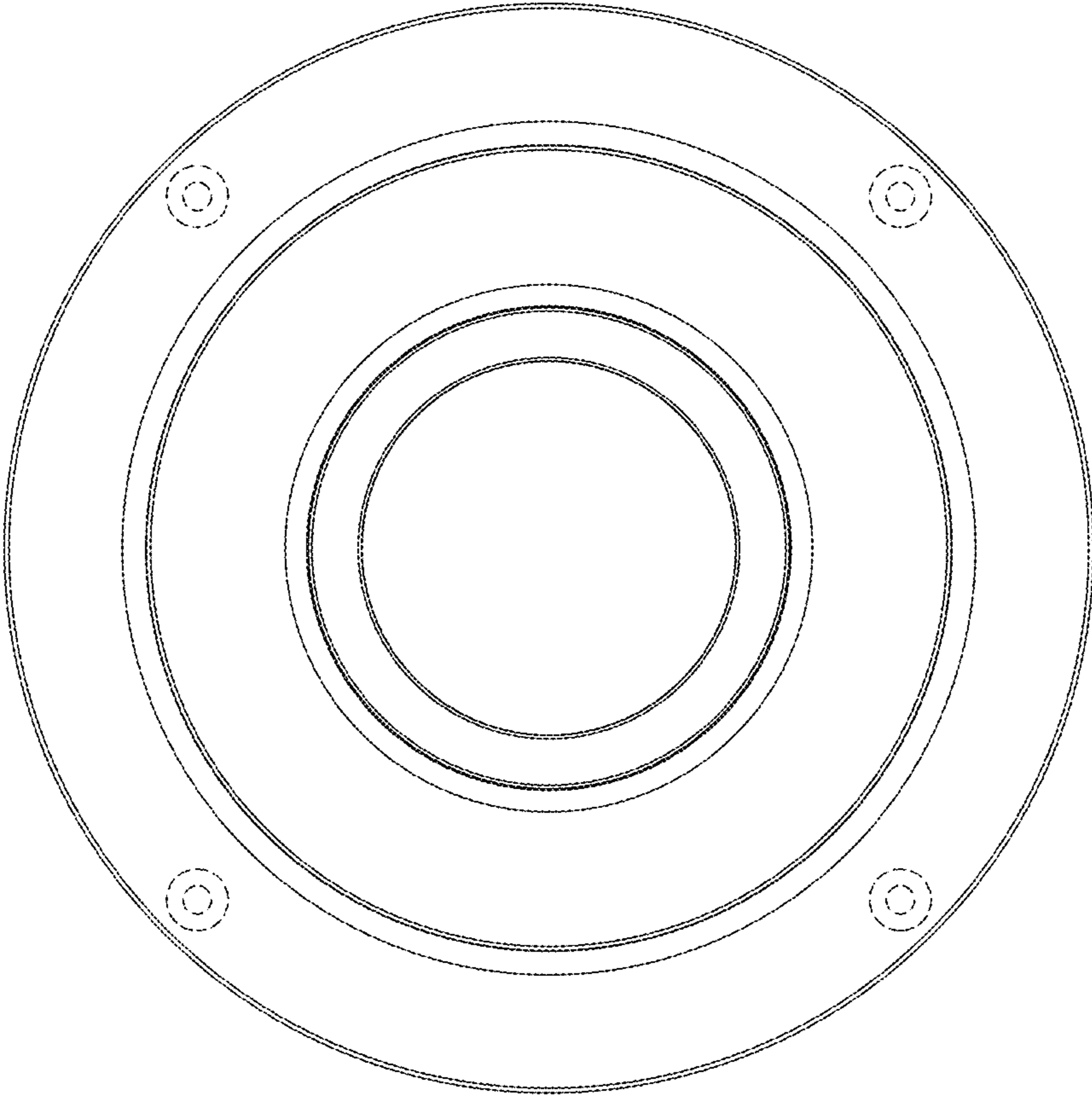


Figure 1

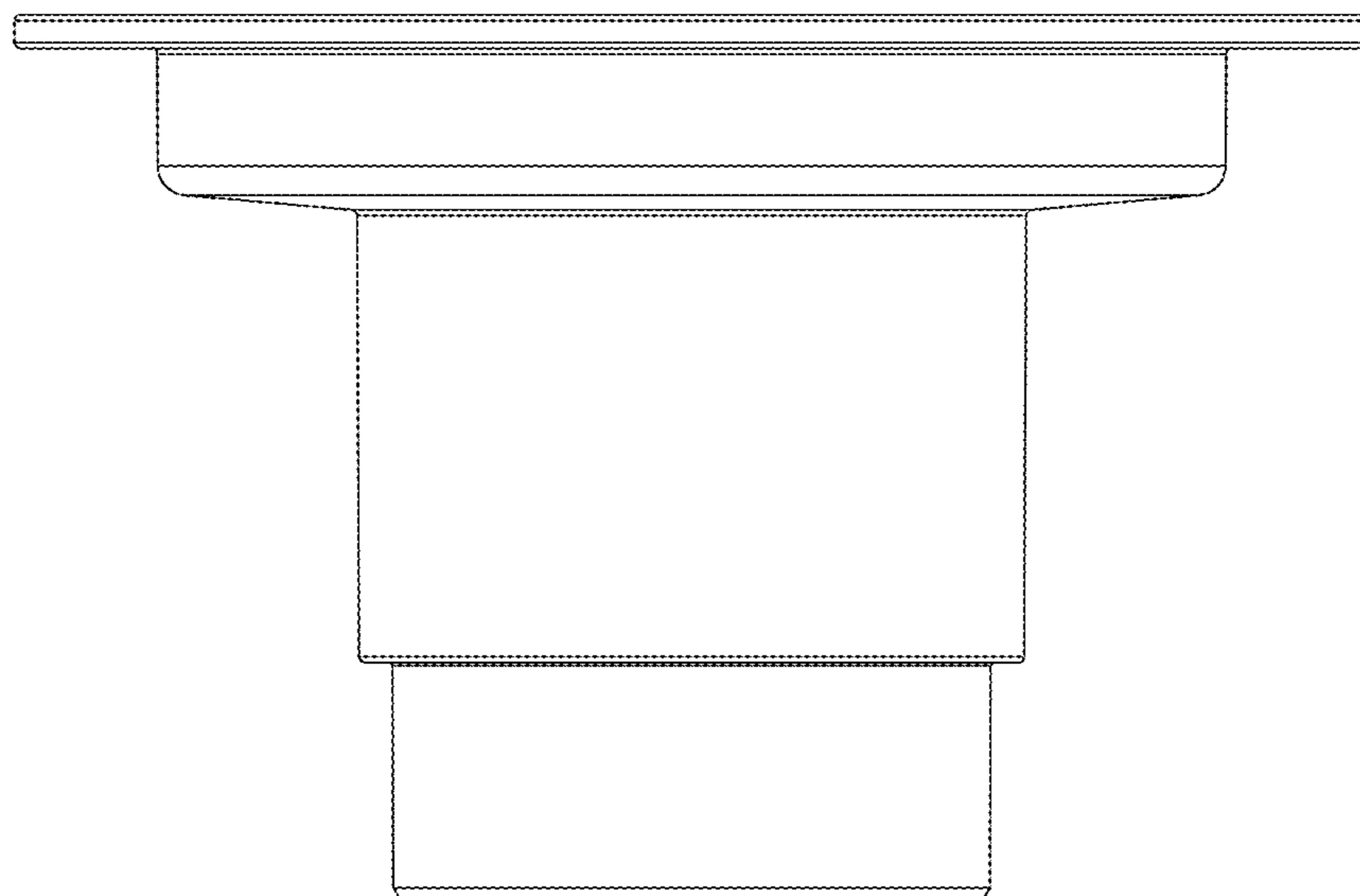


Figure 2

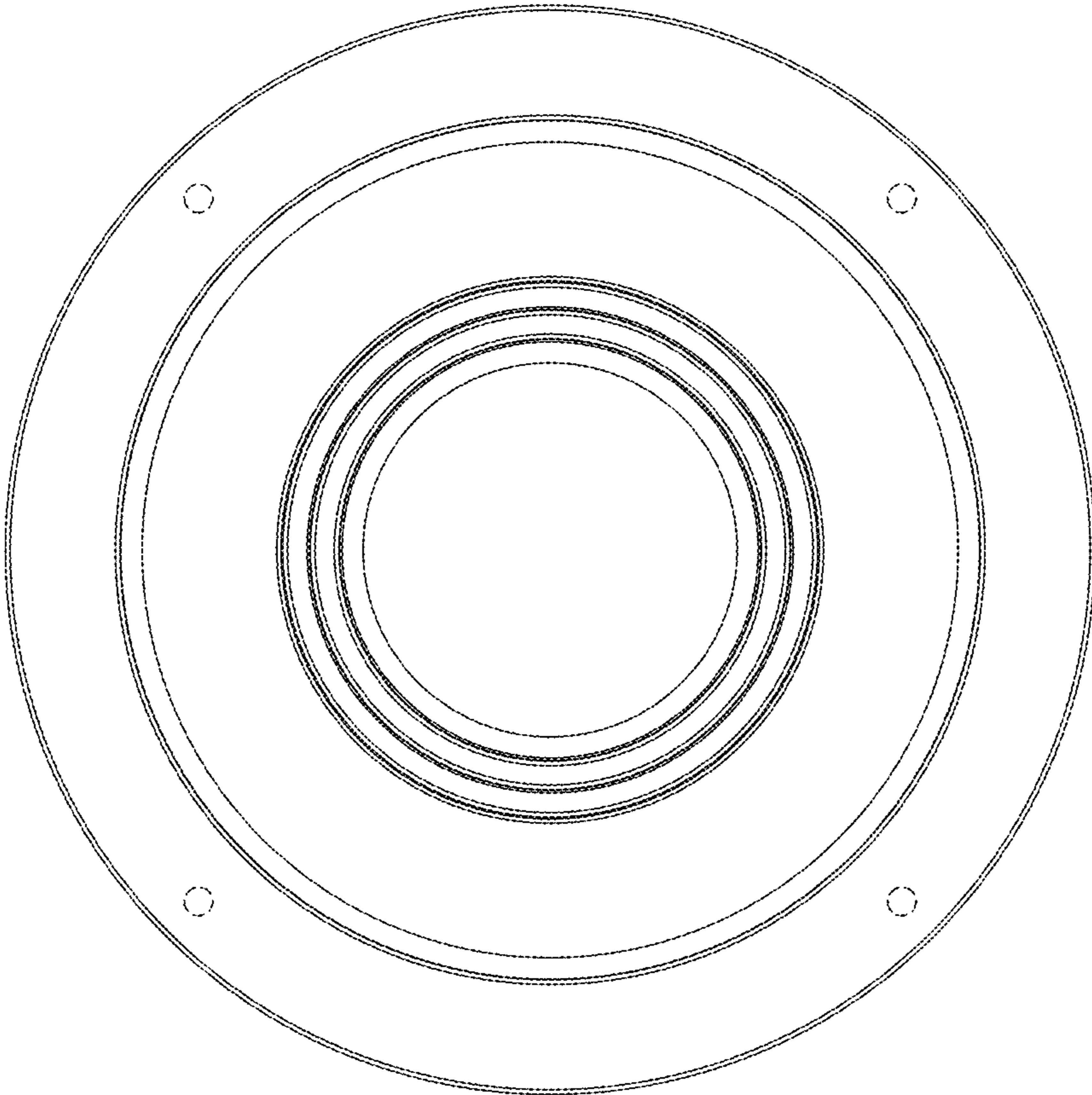


Figure 3

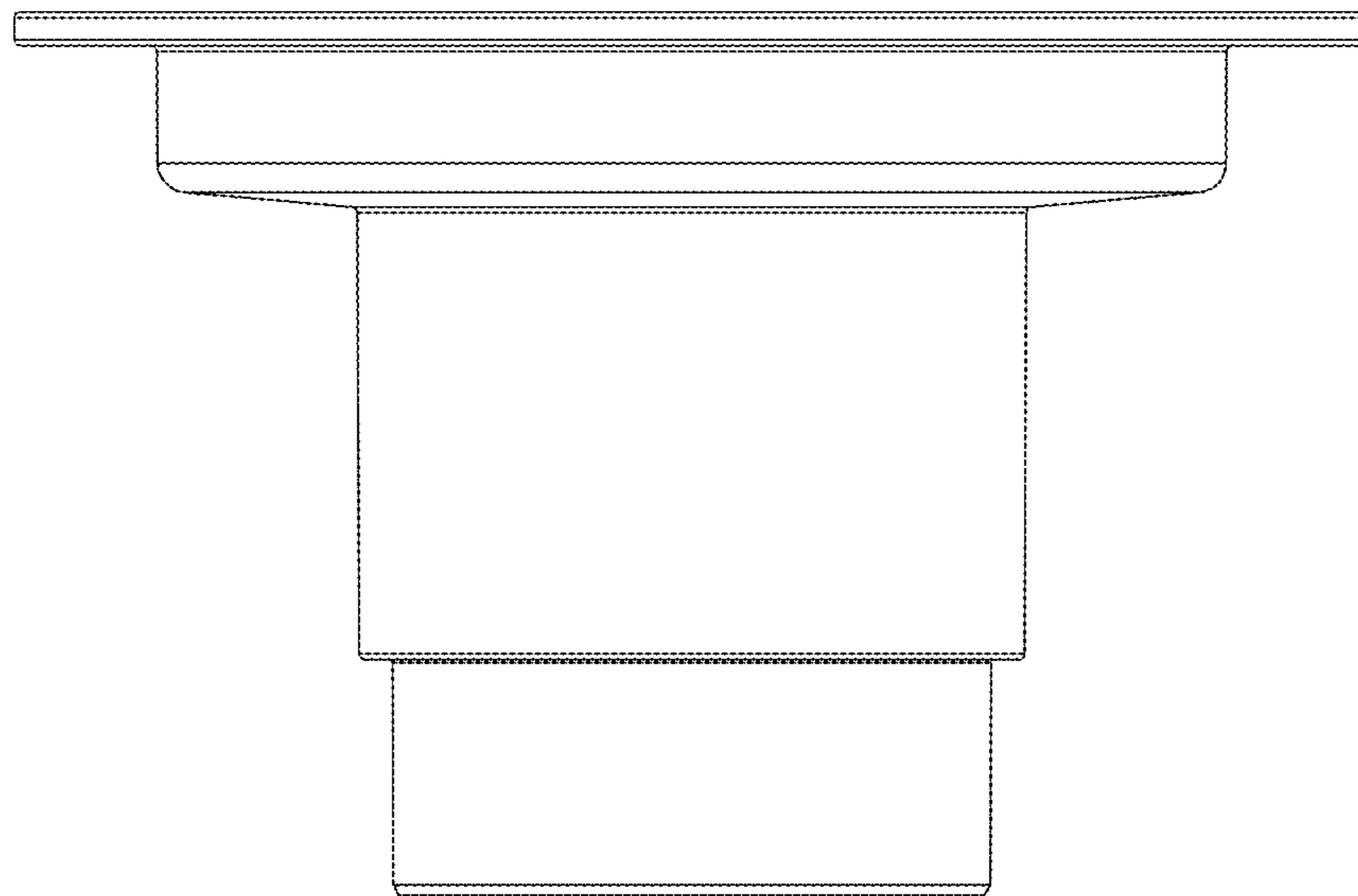


Figure 4

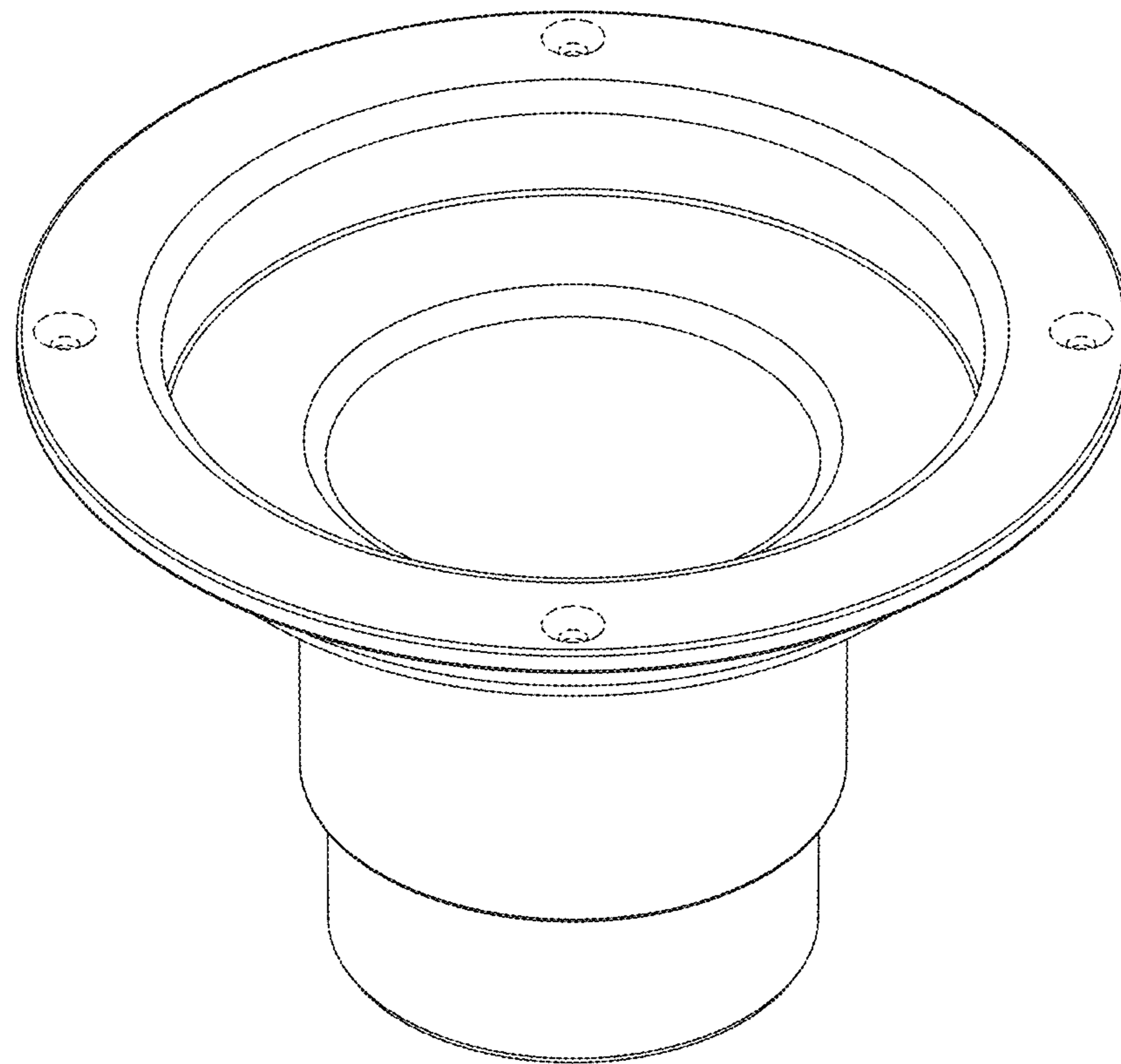


Figure 5

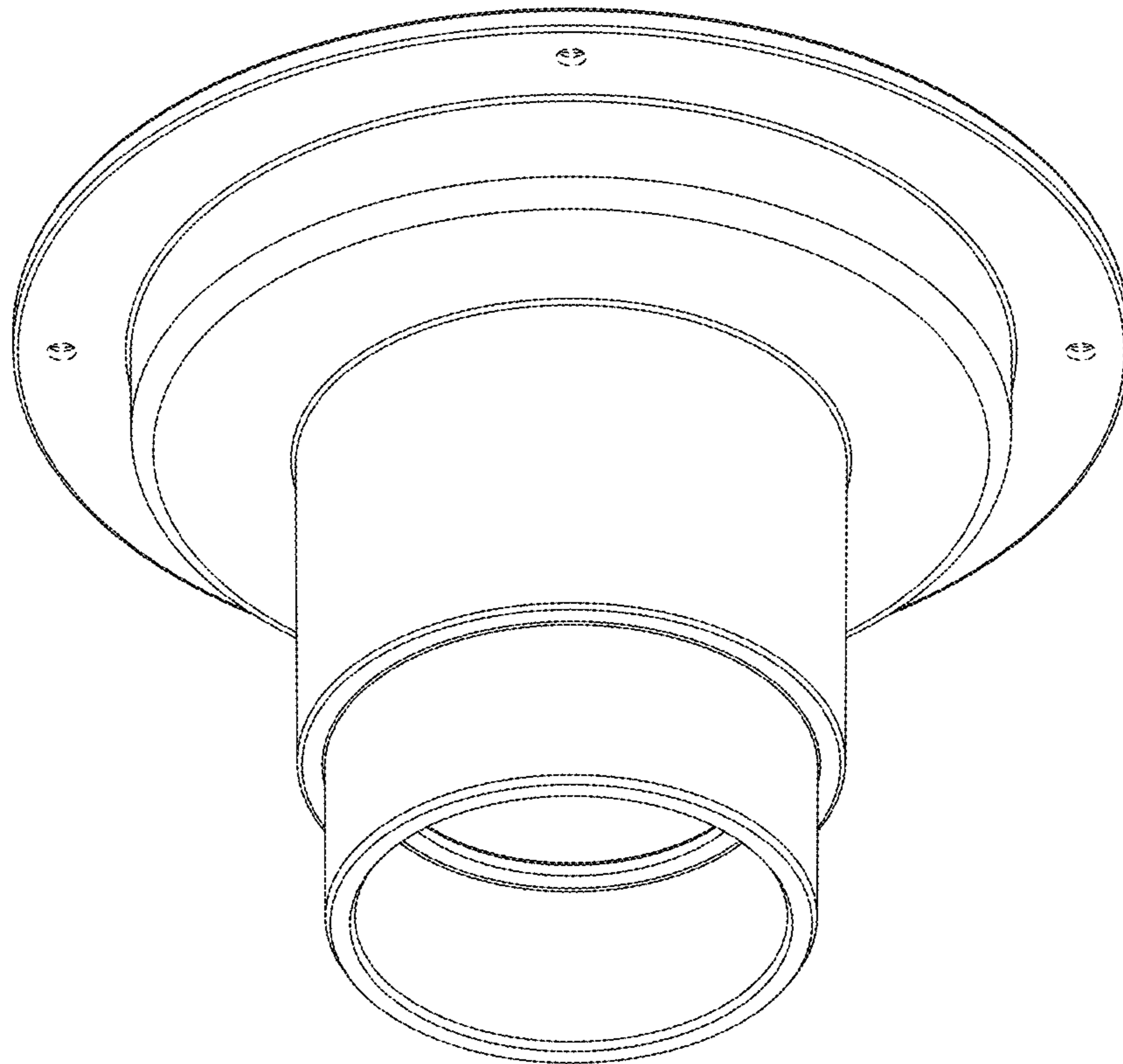


Figure 6