



US00D811556S

(12) **United States Design Patent**
Garland

(10) **Patent No.:** **US D811,556 S**

(45) **Date of Patent:** **** Feb. 27, 2018**

(54) **FAUCET SPOUT**

(71) Applicant: **DELTA FAUCET COMPANY,**
Indianapolis, IN (US)

(72) Inventor: **Celine Kwok Garland,** Zionsville, IN
(US)

(73) Assignee: **DELTA FAUCET COMPANY,**
Indianapolis, IN (US)

(**) Term: **15 Years**

(21) Appl. No.: **29/595,294**

(22) Filed: **Feb. 27, 2017**

(51) **LOC (11) Cl.** **23-01**

(52) **U.S. Cl.**
USPC **D23/255**

(58) **Field of Classification Search**
USPC D23/237, 238, 240–243, 249, 254, 255,
D23/257; D6/524

CPC E03C 1/0401; E03C 1/04; E03C 1/0402;
E03C 1/0404; B25B 23/16; C02F 1/50;
A47K 5/14; Y10T 137/9464

See application file for complete search history.

(56) **References Cited**

U.S. PATENT DOCUMENTS

D492,013 S * 6/2004 Citterio D23/255
D493,210 S * 7/2004 Citterio D23/238

D527,807 S * 9/2006 Haug D23/255
D580,519 S * 11/2008 Citterio D23/238
D592,287 S * 5/2009 Lammel D23/255
D593,534 S * 6/2009 Hsieh D14/189
D636,065 S * 4/2011 Schoenherr D23/255
D641,072 S * 7/2011 Flowers D23/255
D678,986 S * 3/2013 Lord D23/255
D712,516 S * 9/2014 Citterio D23/242
D712,520 S * 9/2014 Citterio D23/255
D767,733 S * 9/2016 Hong D23/255

* cited by examiner

Primary Examiner — Robert M. Spear

Assistant Examiner — John A Voytek

(74) *Attorney, Agent, or Firm* — Edgar A. Zarins; Nirav
D. Parikh

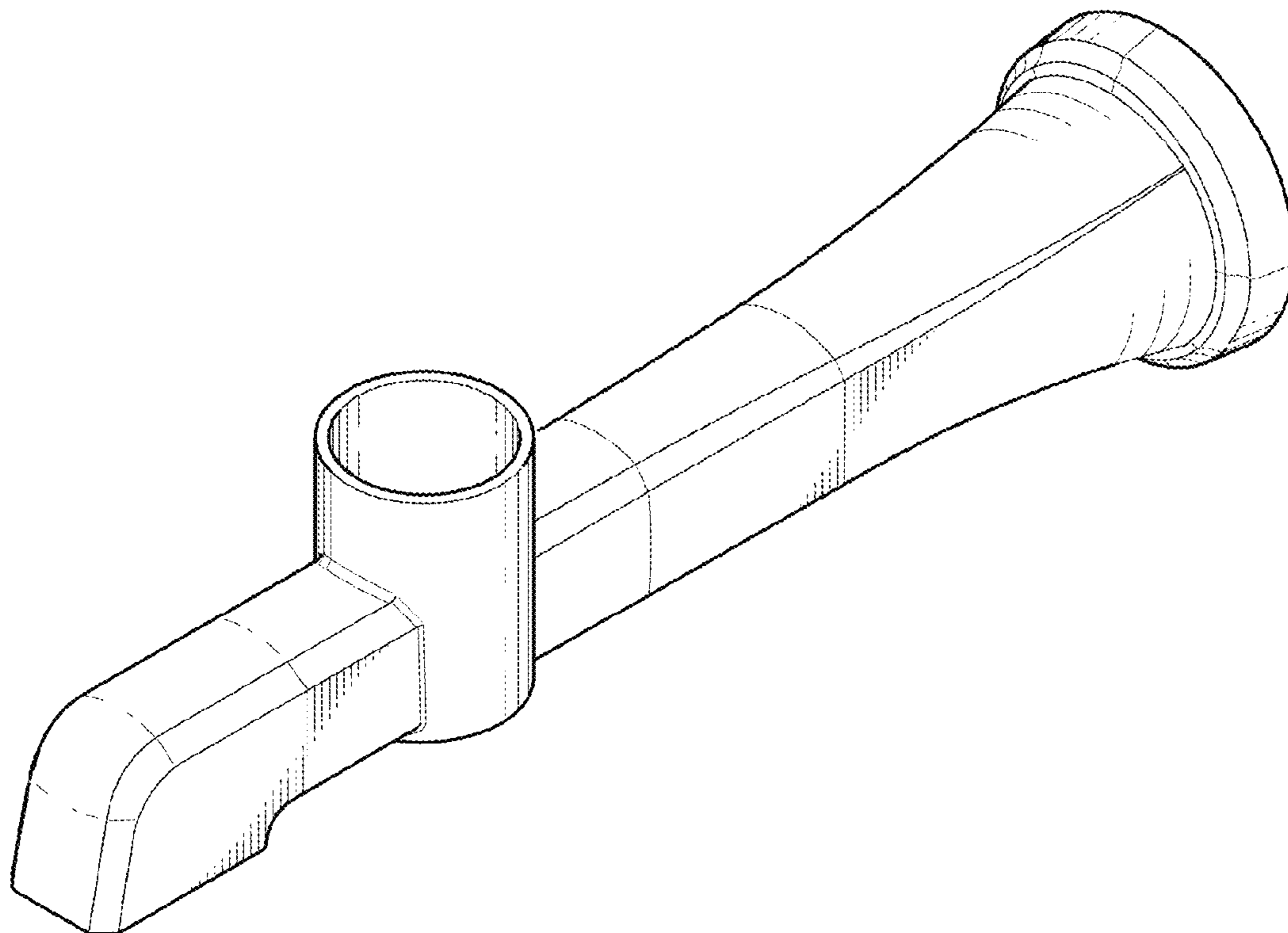
(57) **CLAIM**

The ornamental design for a faucet spout, as shown and
described.

DESCRIPTION

FIG. 1 is a perspective view of a faucet spout showing my
new design;
FIG. 2 is a front elevational view thereof;
FIG. 3 is a rear view thereof;
FIG. 4 is a left side view thereof, the opposite side being a
mirror image of the side shown;
FIG. 5 is a top plan view thereof; and,
FIG. 6 is a bottom view thereof.

1 Claim, 3 Drawing Sheets



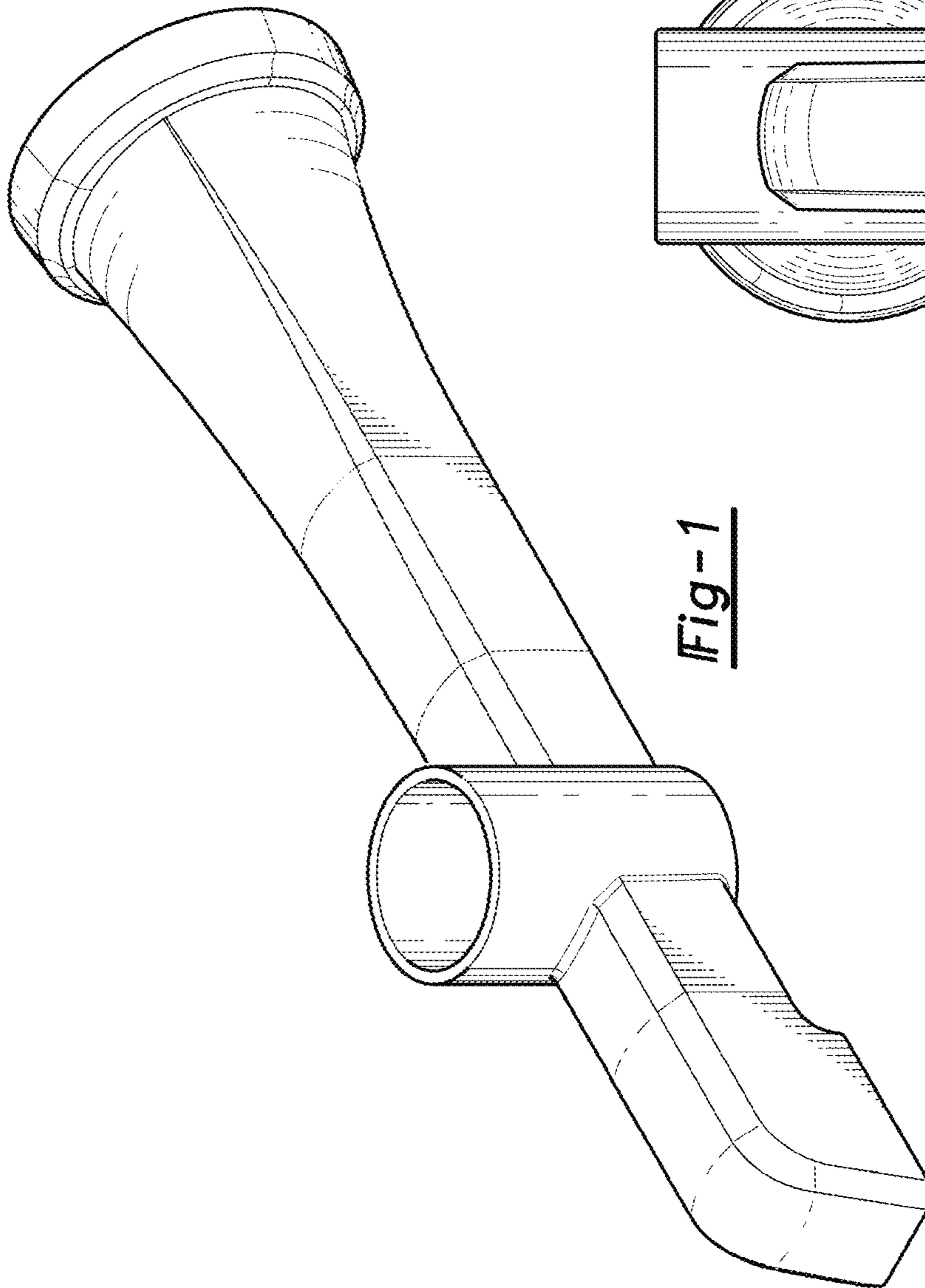


Fig-1

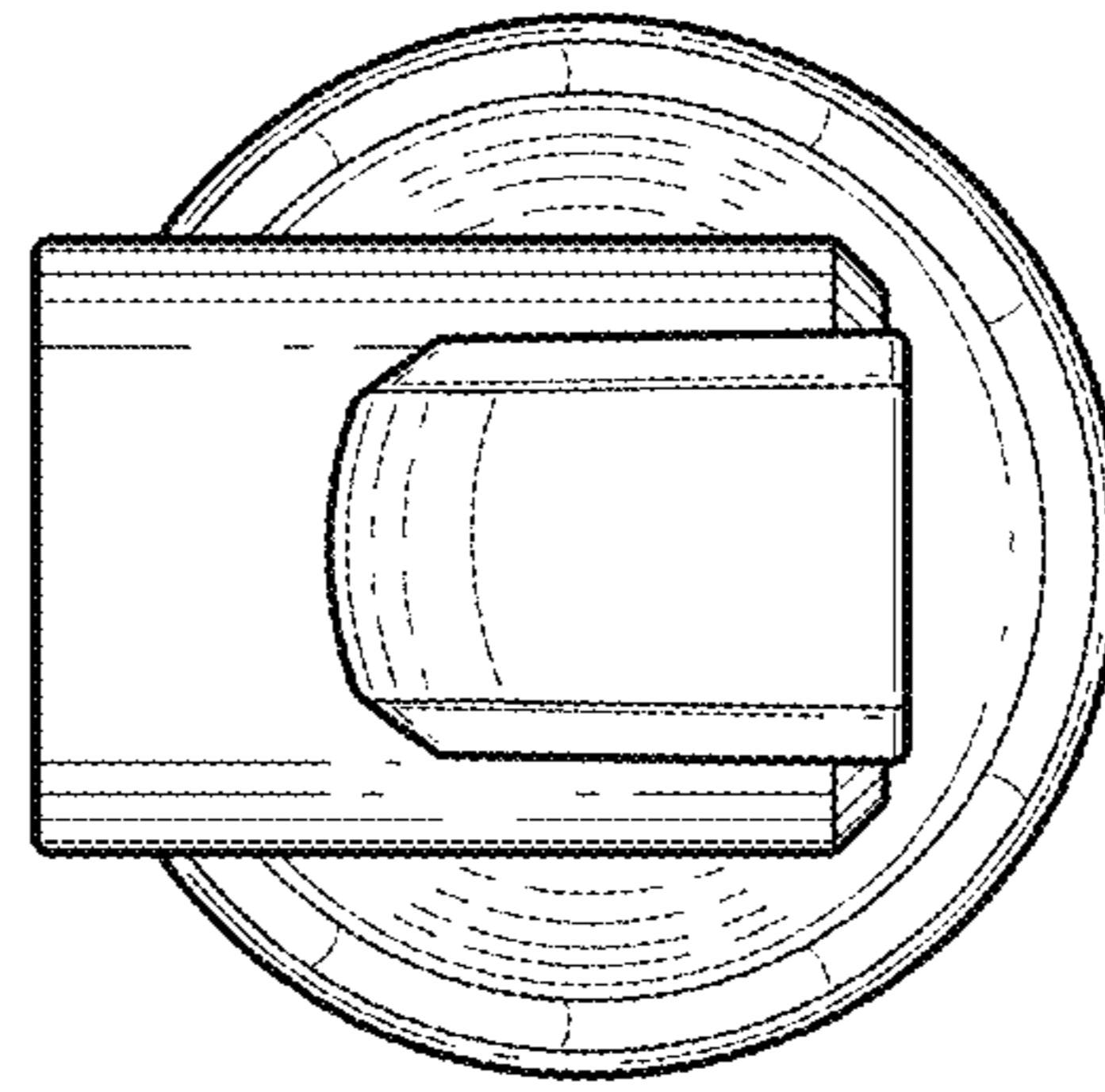


Fig-2

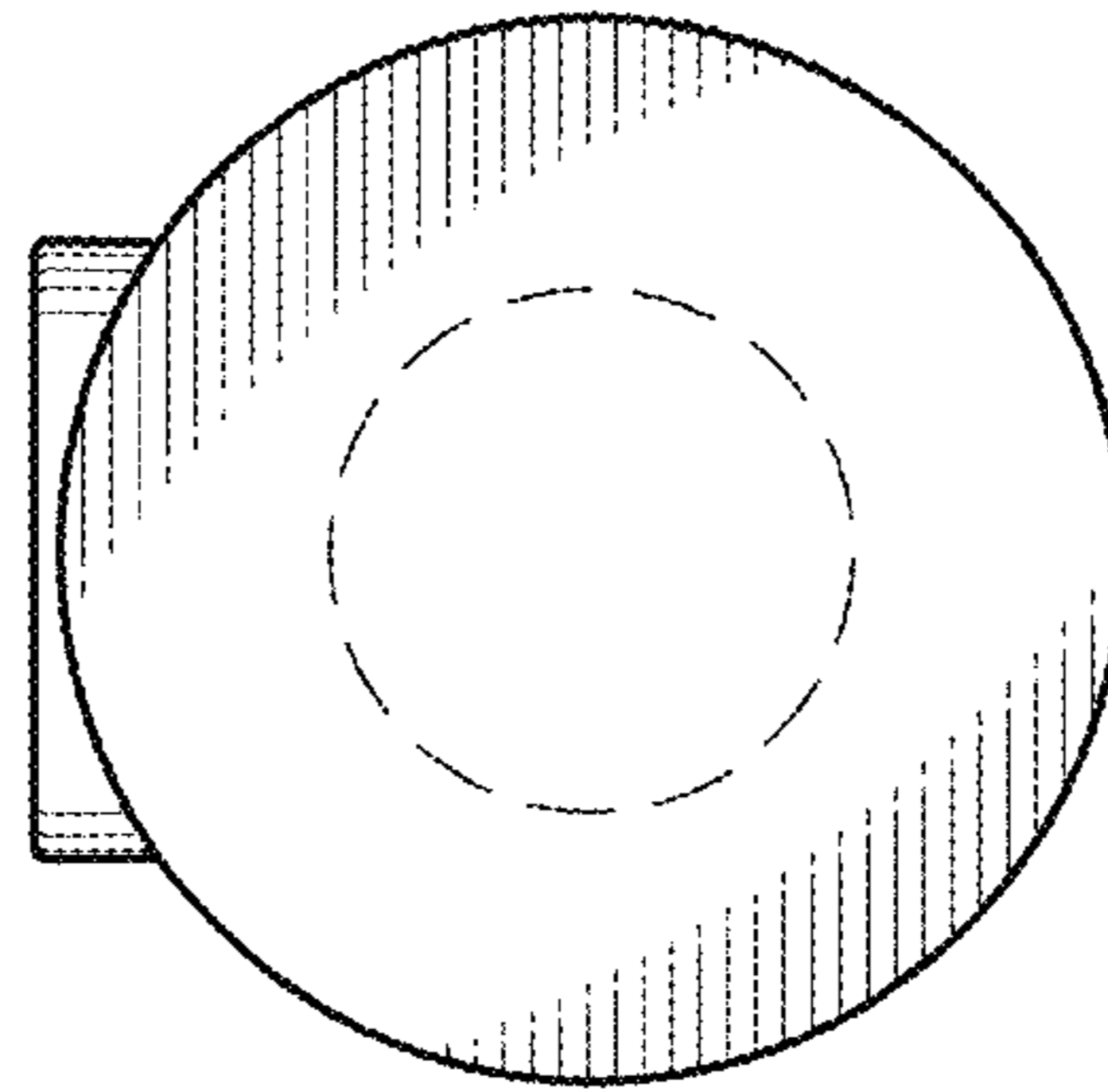


Fig-3

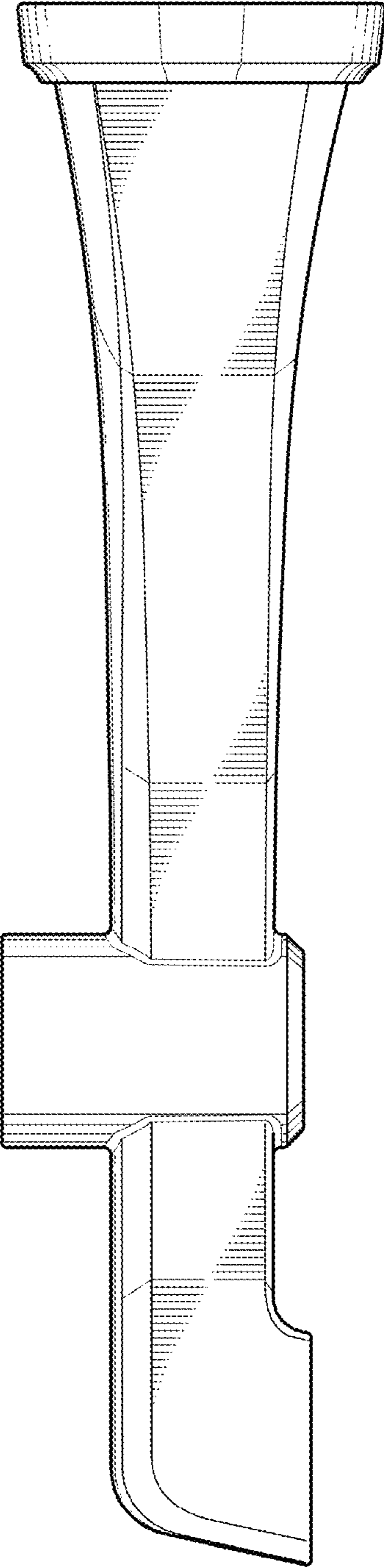


Fig - 4

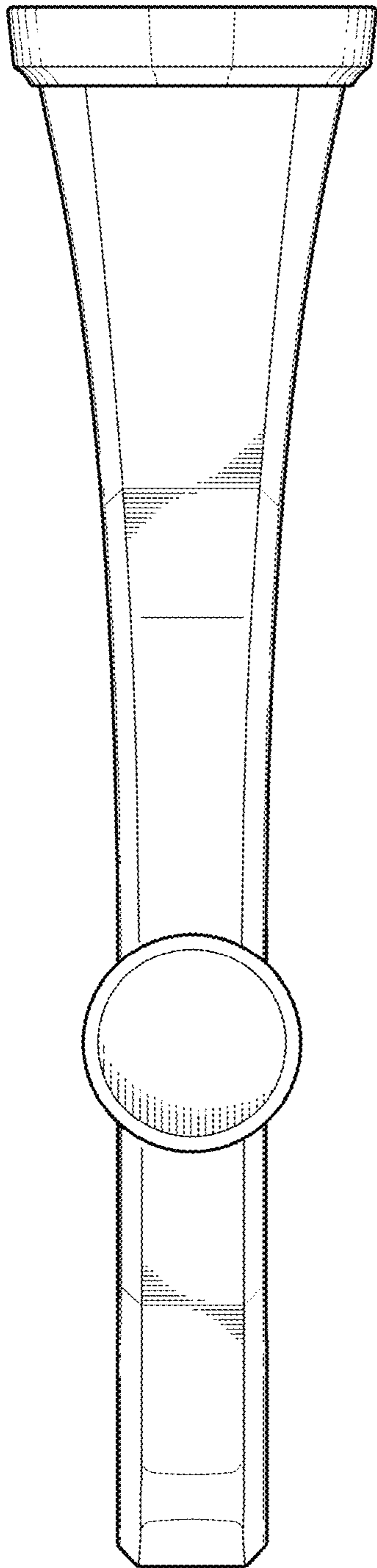


Fig-5

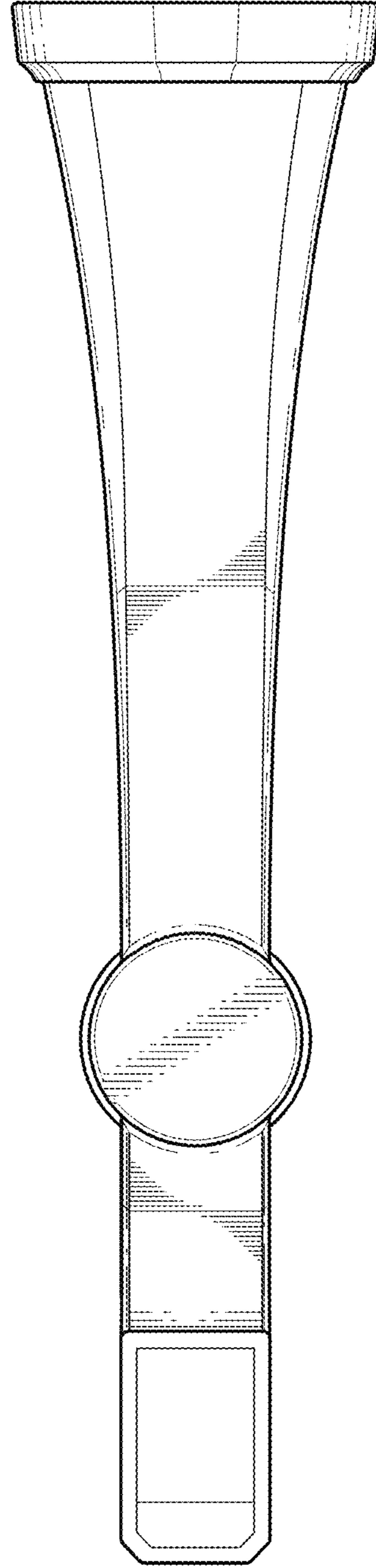


Fig-6