



US00D811555S

(12) **United States Design Patent**  
**Garland**

(10) **Patent No.:** **US D811,555 S**

(45) **Date of Patent:** **\*\* Feb. 27, 2018**

(54) **FAUCET**

(71) Applicant: **DELTA FAUCET COMPANY,**  
Indianapolis, IN (US)

(72) Inventor: **Celine Kwok Garland,** Zionsville, IN  
(US)

(73) Assignee: **DELTA FAUCET COMPANY,**  
Indianapolis, IN (US)

(\*\*) Term: **15 Years**

(21) Appl. No.: **29/595,286**

(22) Filed: **Feb. 27, 2017**

(51) **LOC (11) Cl.** ..... **23-01**

(52) **U.S. Cl.**  
USPC ..... **D23/255**

(58) **Field of Classification Search**  
USPC ..... D23/237, 238, 240-243, 249, 254, 255,  
D23/257; D6/524

CPC ..... E03C 1/0401; E03C 1/04; E03C 1/0402;  
E03C 1/0404; B25B 23/16; C02F 1/50;  
A47K 5/14; Y10T 137/9464

See application file for complete search history.

(56) **References Cited**

**U.S. PATENT DOCUMENTS**

D492,013 S \* 6/2004 Citterio ..... D23/255  
D493,210 S \* 7/2004 Citterio ..... D23/238

D527,807 S \* 9/2006 Haug ..... D23/255  
D580,519 S \* 11/2008 Citterio ..... D23/238  
D592,287 S \* 5/2009 Lammel ..... D23/255  
D593,534 S \* 6/2009 Hsieh ..... D14/189  
D636,065 S \* 4/2011 Schoenherr ..... D23/255  
D641,072 S \* 7/2011 Flowers ..... D23/255  
D678,986 S \* 3/2013 Lord ..... D23/255  
D712,516 S \* 9/2014 Citterio ..... D23/242  
D712,520 S \* 9/2014 Citterio ..... D23/255  
D767,733 S \* 9/2016 Hong ..... D23/255

\* cited by examiner

*Primary Examiner* — Robert M. Spear

*Assistant Examiner* — John A Voytek

(74) *Attorney, Agent, or Firm* — Edgar A. Zarins; Nirav  
D. Parikh

(57) **CLAIM**

The ornamental design for a faucet, as shown and described.

**DESCRIPTION**

FIG. 1 is a perspective view of a faucet showing my new  
design;

FIG. 2 is a front elevational view thereof;

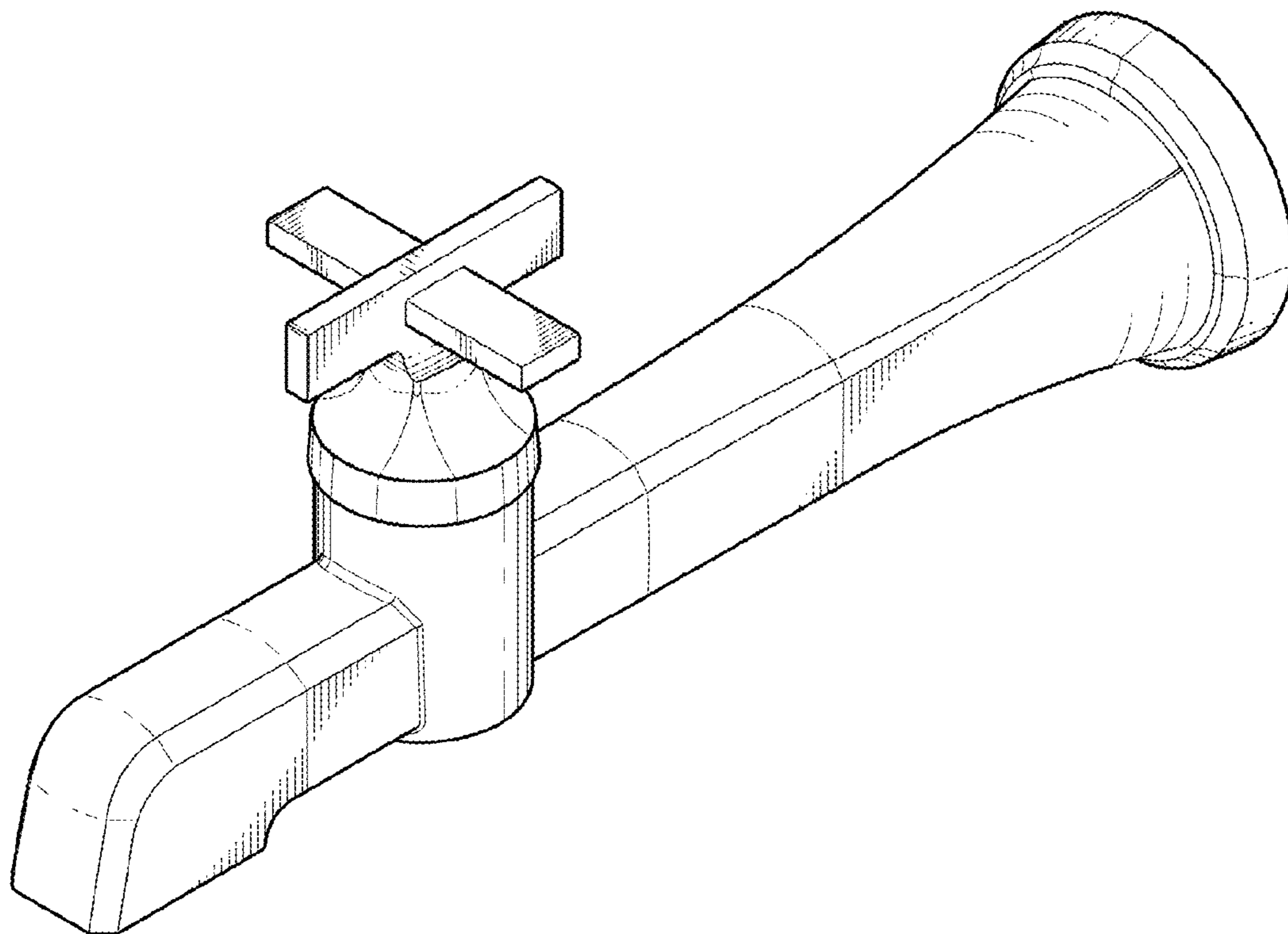
FIG. 3 is a rear view thereof;

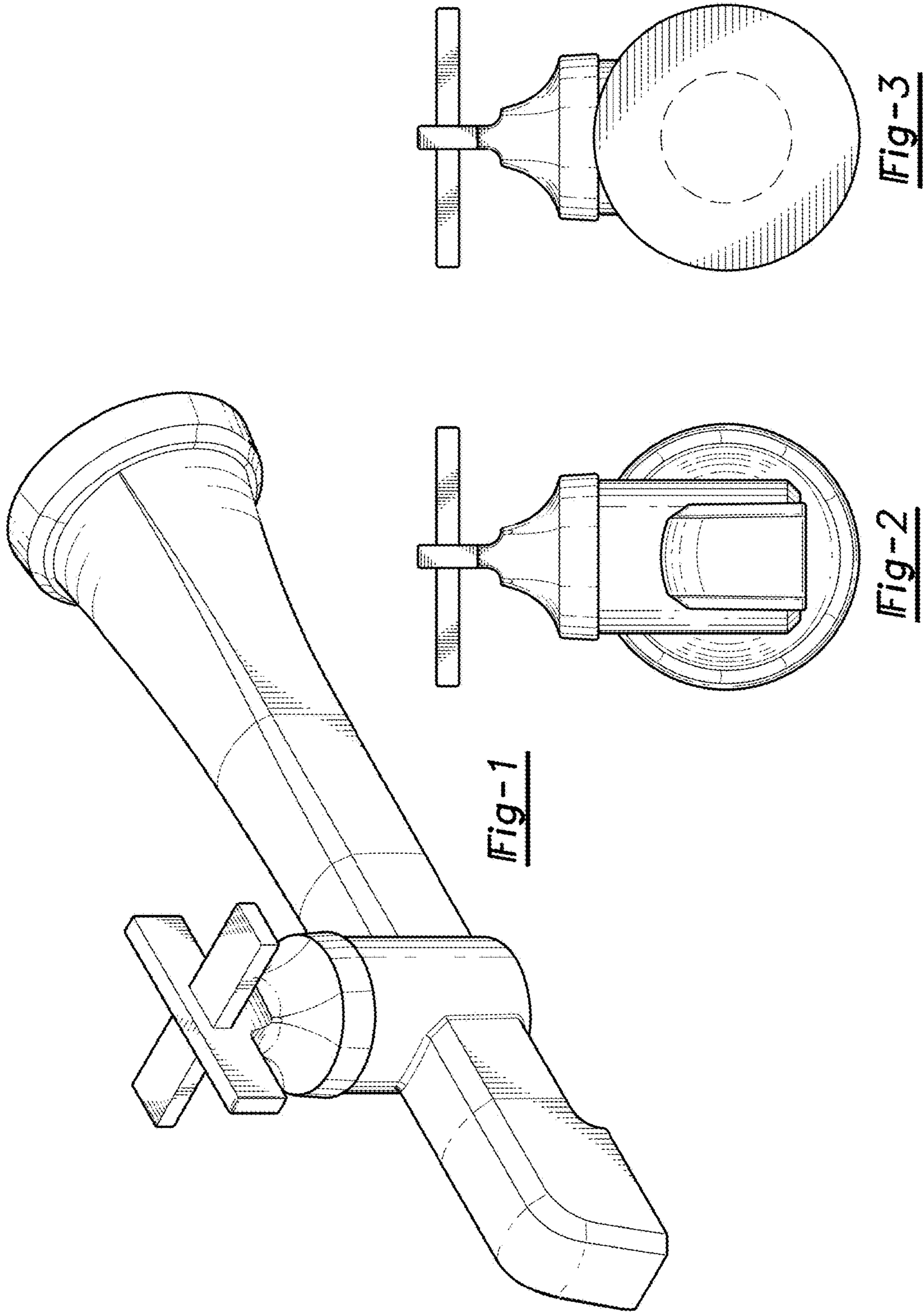
FIG. 4 is a left side view thereof, the opposite side being a  
mirror image of the side shown;

FIG. 5 is a top plan view thereof; and,

FIG. 6 is a bottom view thereof.

**1 Claim, 3 Drawing Sheets**





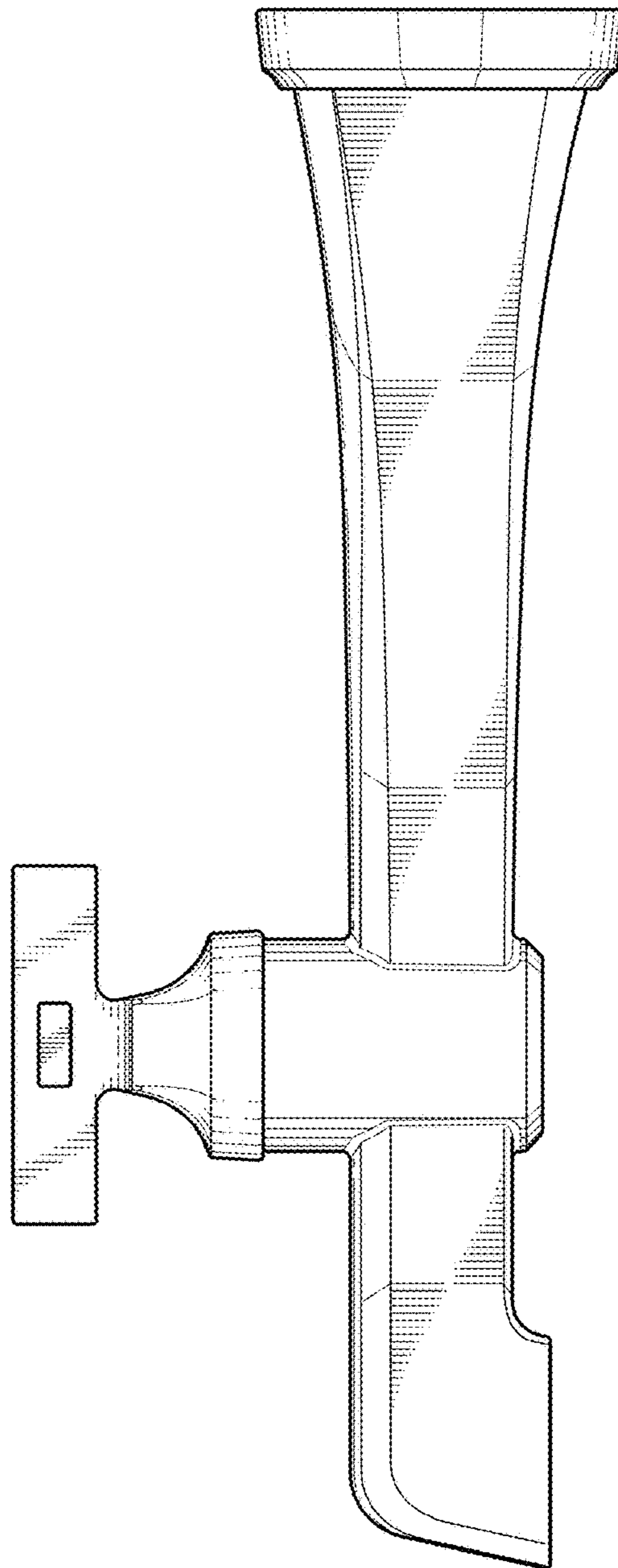


Fig-4

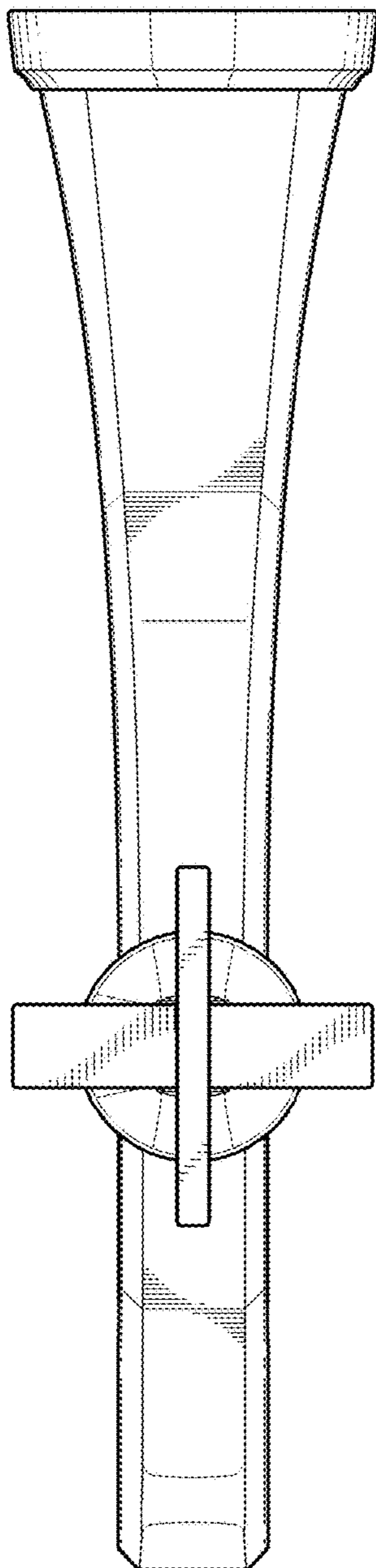


Fig-5

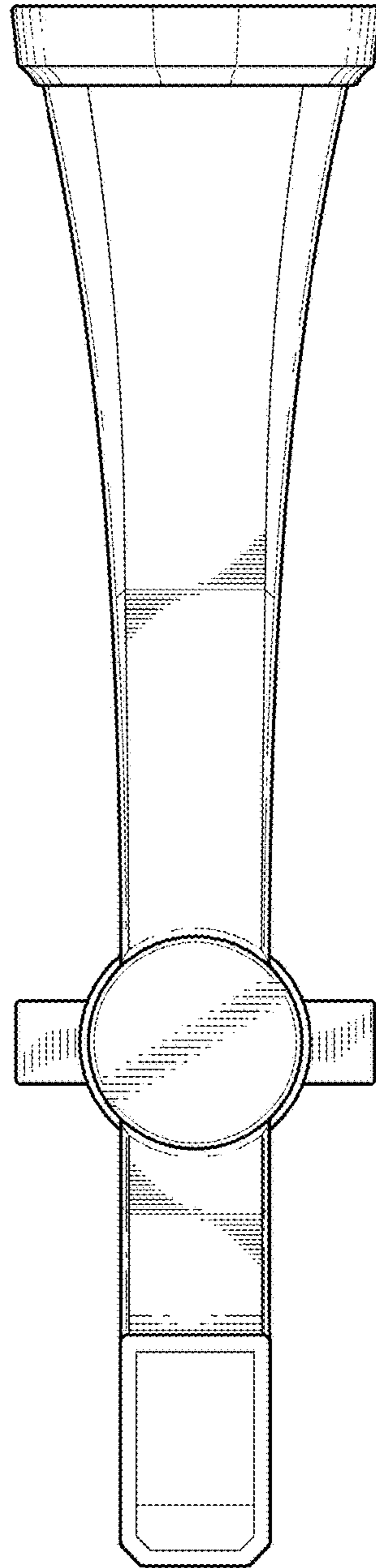


Fig-6