



US00D811554S

(12) **United States Design Patent** (10) **Patent No.:** **US D811,554 S**  
**Schoenherr et al.** (45) **Date of Patent:** **\*\* Feb. 27, 2018**

(54) **FAUCET**

FOREIGN PATENT DOCUMENTS

(71) Applicant: **HANSGROHE SE**, Schiltach (DE)

CN 302511654 7/2013

(72) Inventors: **Tom Schoenherr**, Stuttgart (DE);  
**Andreas Diefenbach**,  
Ludwigsburg-Oßweil (DE)

EM 001072946-0001 1/2009

EM 001072946-0002 1/2009

EM 001179832-0013 11/2009

EM 002703371-0012 5/2015

(73) Assignee: **Hansgrohe SE**, Schiltach (DE)

\* cited by examiner

(\*\*) Term: **15 Years**

*Primary Examiner* — Robert A Delehanty

(21) Appl. No.: **29/588,102**

(74) *Attorney, Agent, or Firm* — Lora J. Graentzdoerffer

(22) Filed: **Dec. 19, 2016**

(30) **Foreign Application Priority Data**

(57) **CLAIM**

Jun. 20, 2016 (EM) ..... 003229863-0019

The ornamental design for a faucet, as shown and described.

(51) **LOC (11) Cl.** ..... **23-01**

(52) **U.S. Cl.**  
USPC ..... **D23/255**

(58) **Field of Classification Search**  
USPC ..... D23/238–243, 249, 255, 257  
CPC ..... Y10T 137/9464  
See application file for complete search history.

**DESCRIPTION**

FIG. 1 is a perspective view;  
FIG. 2 is a front elevation view;  
FIG. 3 is a rear elevation view;  
FIG. 4 is a side elevation view;  
FIG. 5 is a top plan view; and,  
FIG. 6 is a bottom plan view.  
The broken lines indicate portions of the faucet that form no part of the claimed design.

(56) **References Cited**

U.S. PATENT DOCUMENTS

D517,650 S \* 3/2006 Shieh ..... D23/238  
D585,960 S \* 2/2009 Ko ..... D23/238  
D771,776 S \* 11/2016 Schoenherr ..... D23/239

**1 Claim, 6 Drawing Sheets**

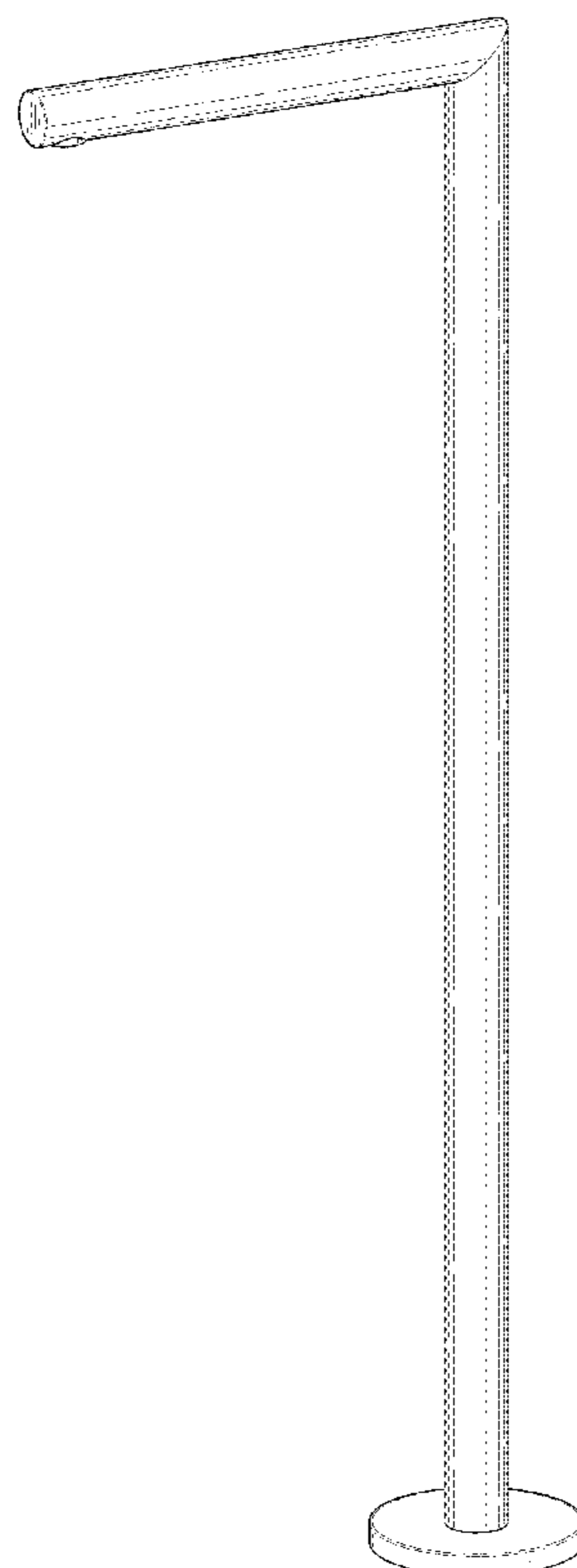


FIG. 1

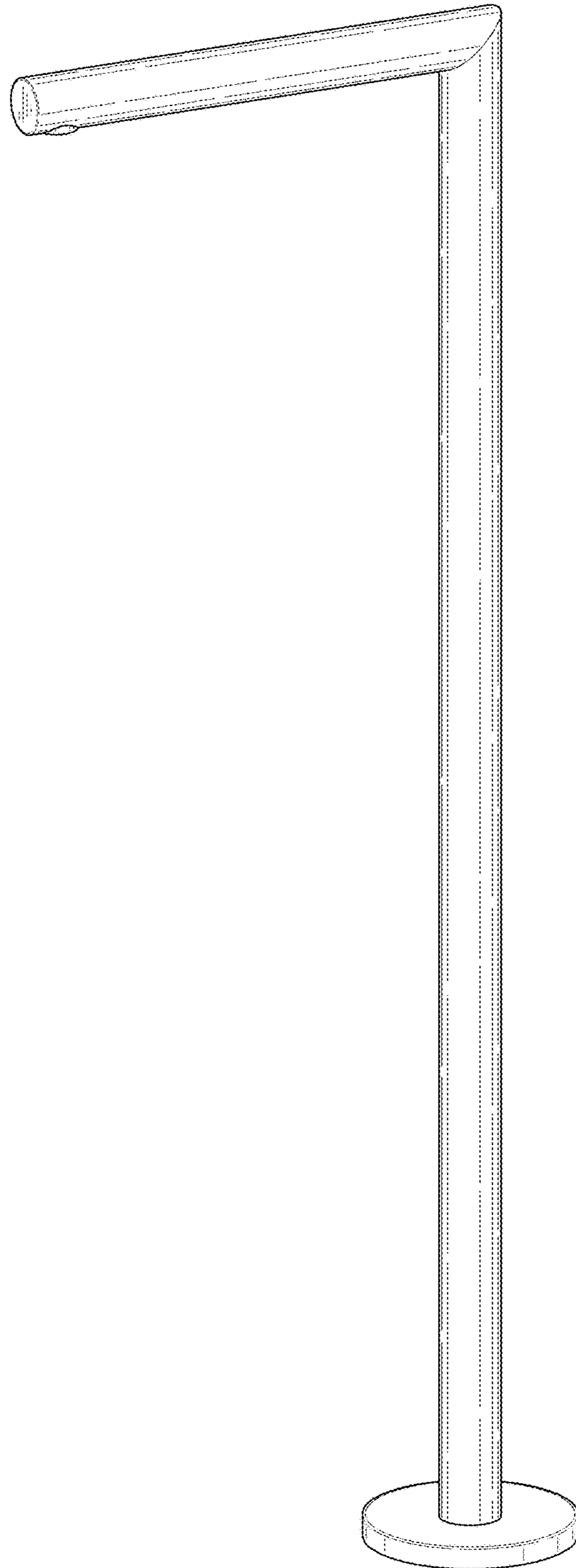


FIG. 2

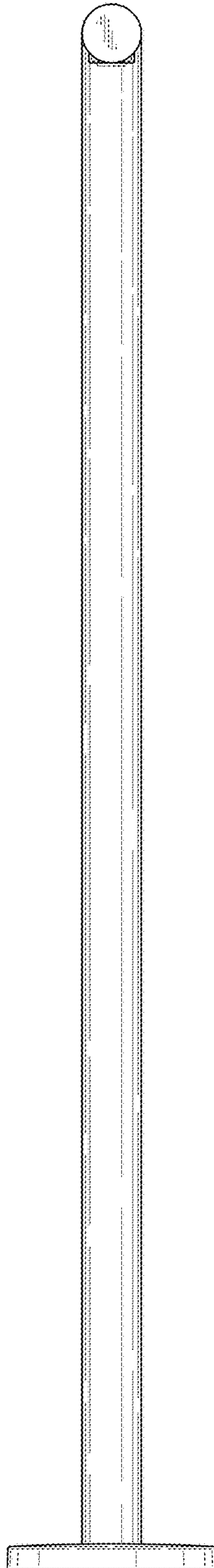


FIG. 3

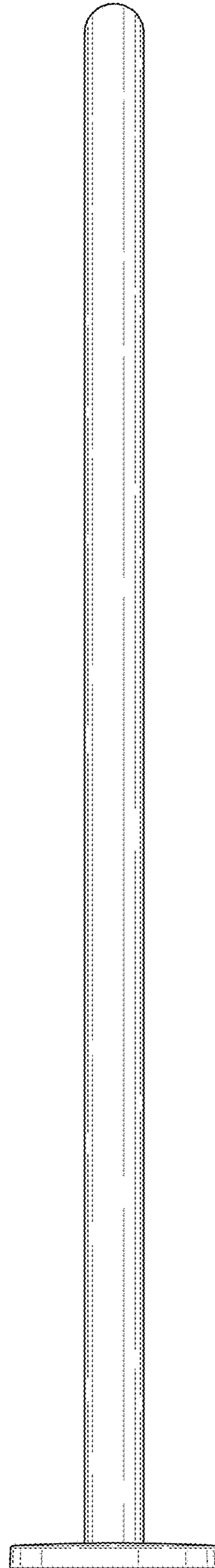


FIG. 4

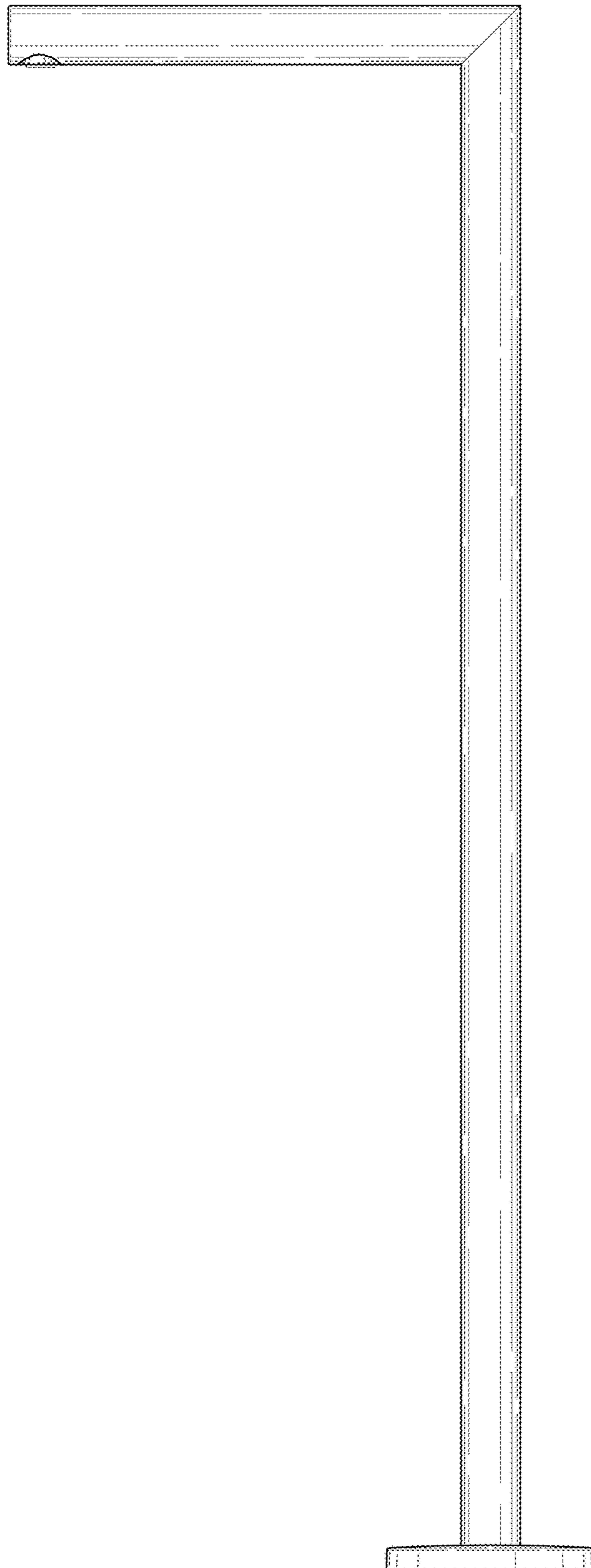


FIG. 5

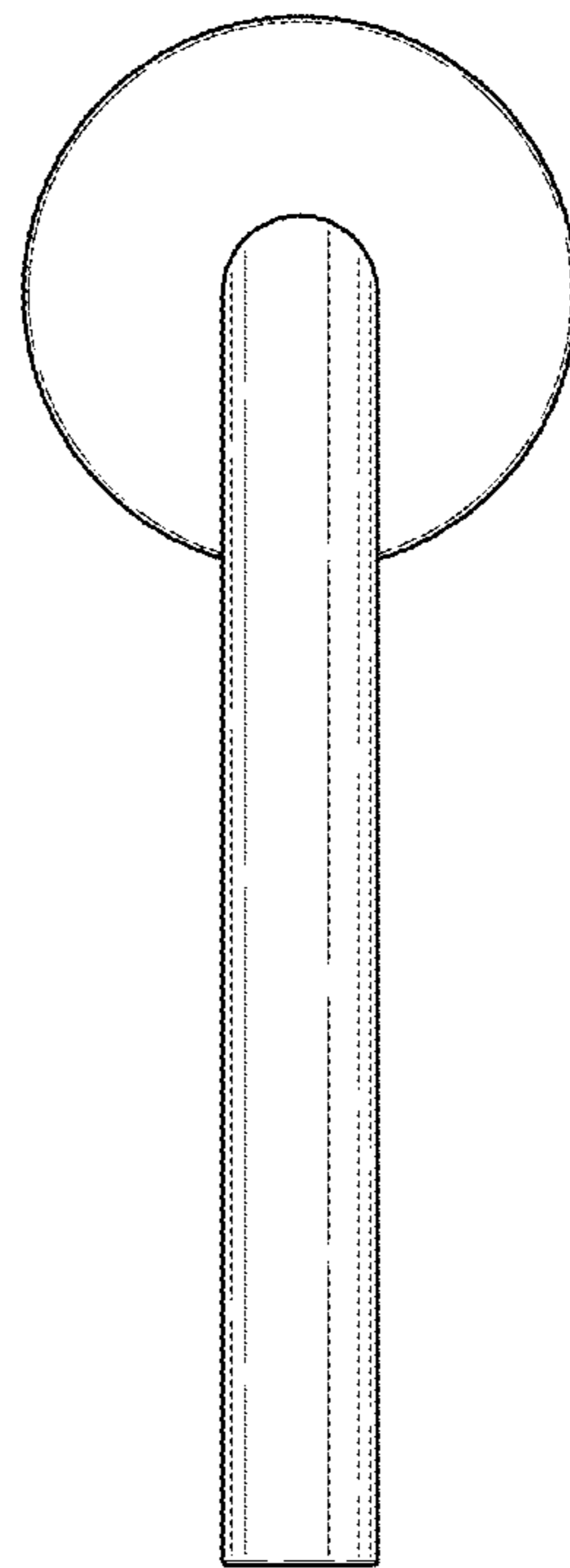


FIG. 6

