



US00D811553S

(12) **United States Design Patent**
Schoenherr et al.

(10) **Patent No.:** **US D811,553 S**

(45) **Date of Patent:** **** Feb. 27, 2018**

(54) **FAUCET**

(71) Applicant: **HANS GROHE SE**, Schiltach (DE)

(72) Inventors: **Tom Schoenherr**, Stuttgart (DE);
Andreas Diefenbach,
Ludwigsburg-Oßweil (DE)

(73) Assignee: **Hansgrohe SE**, Schiltach (DE)

(**) Term: **15 Years**

(21) Appl. No.: **29/587,958**

(22) Filed: **Dec. 16, 2016**

(30) **Foreign Application Priority Data**

Jun. 20, 2016 (EM) 003229863-0014

(51) **LOC (11) Cl.** **23-01**

(52) **U.S. Cl.**
USPC **D23/255**

(58) **Field of Classification Search**
USPC D23/238-243, 249, 255, 257
CPC Y10T 137/9464
See application file for complete search history.

(56) **References Cited**

U.S. PATENT DOCUMENTS

D481,445 S * 10/2003 Haug D23/238
D517,650 S * 3/2006 Shieh D23/238

D585,960 S * 2/2009 Ko D23/238
D757,219 S * 5/2016 Schoenherr D23/238
D757,220 S * 5/2016 Schoenherr D23/238
D802,100 S * 11/2017 Kirar D23/257

FOREIGN PATENT DOCUMENTS

DE 40206055.5 7/2002
EM 002091736-0003 8/2012
EM 002309880-0001 9/2013
EM 002417378-0001 3/2014
EM 002474403-0002 6/2014

* cited by examiner

Primary Examiner — Robert A Delehanty

(74) *Attorney, Agent, or Firm* — Lora J. Graentzdoerffer

(57) **CLAIM**

The ornamental design for a faucet, as shown and described.

DESCRIPTION

FIG. 1 is a perspective view;
FIG. 2 is a front elevation view;
FIG. 3 is a rear elevation view;
FIG. 4 is a right side elevation view;
FIG. 5 is a left side elevation view;
FIG. 6 is a top plan view; and,
FIG. 7 is a bottom plan view.
The broken lines indicate portions of the faucet that form no part of the claimed design.

1 Claim, 7 Drawing Sheets

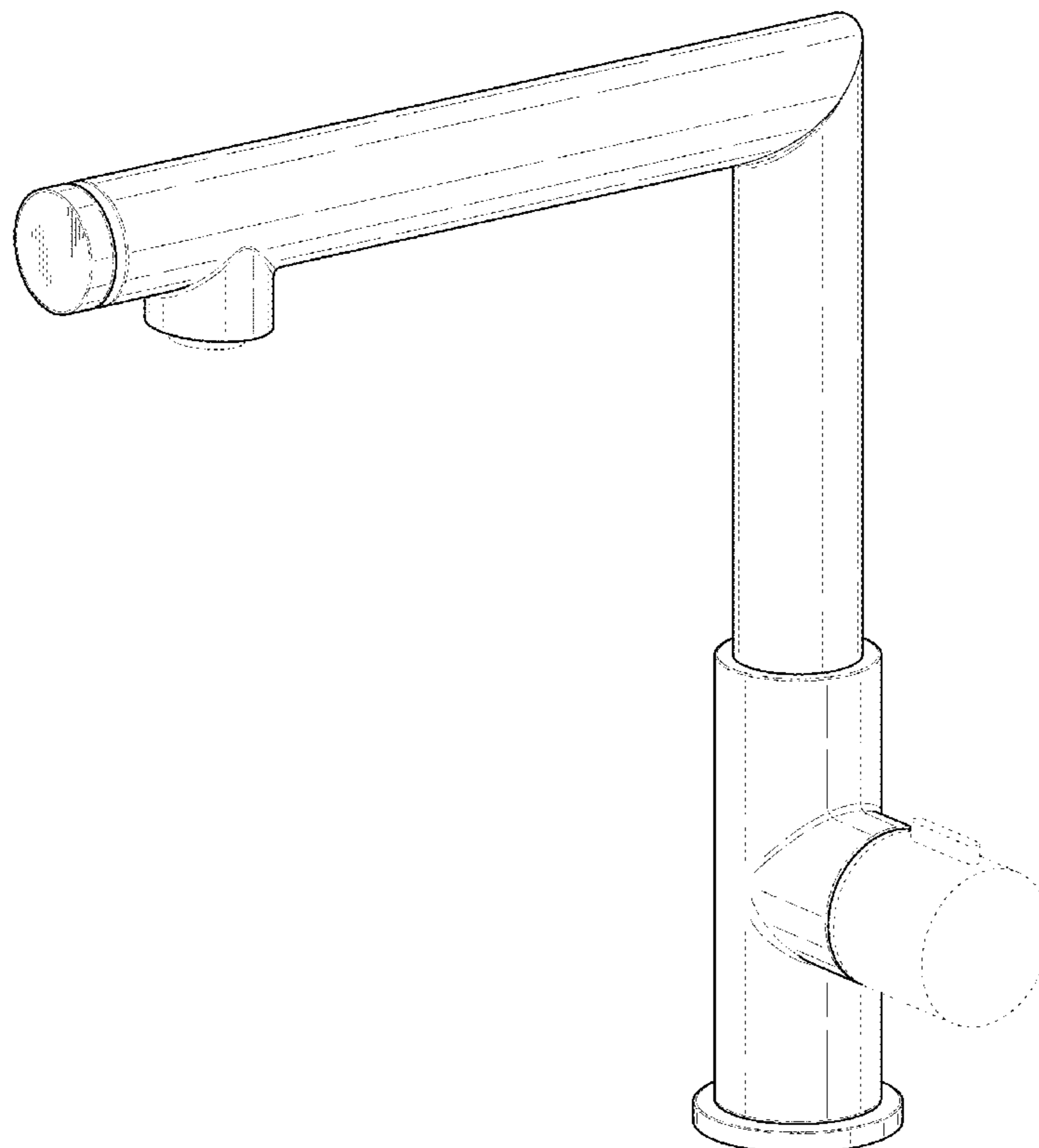


FIG. 1

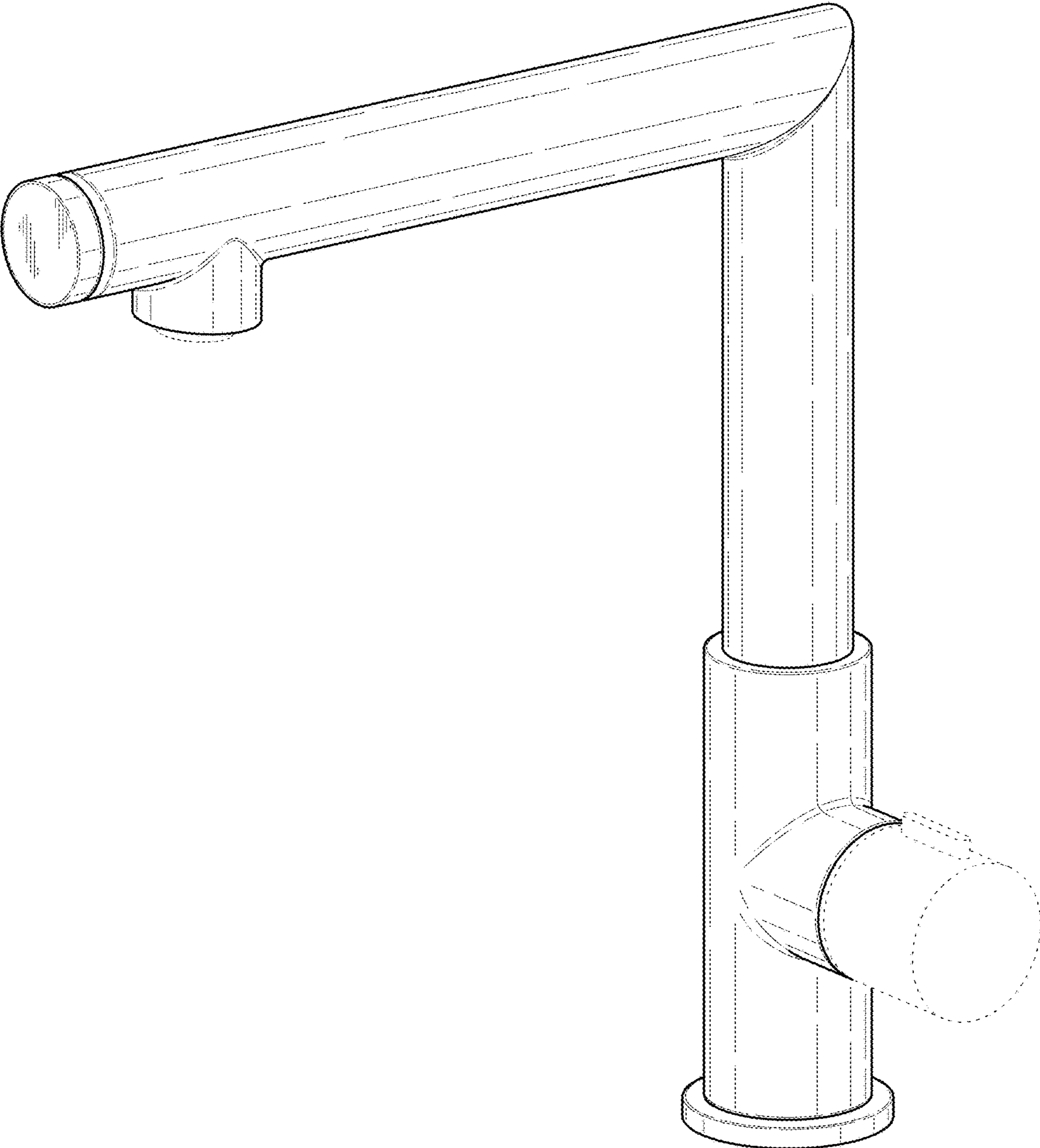


FIG. 2

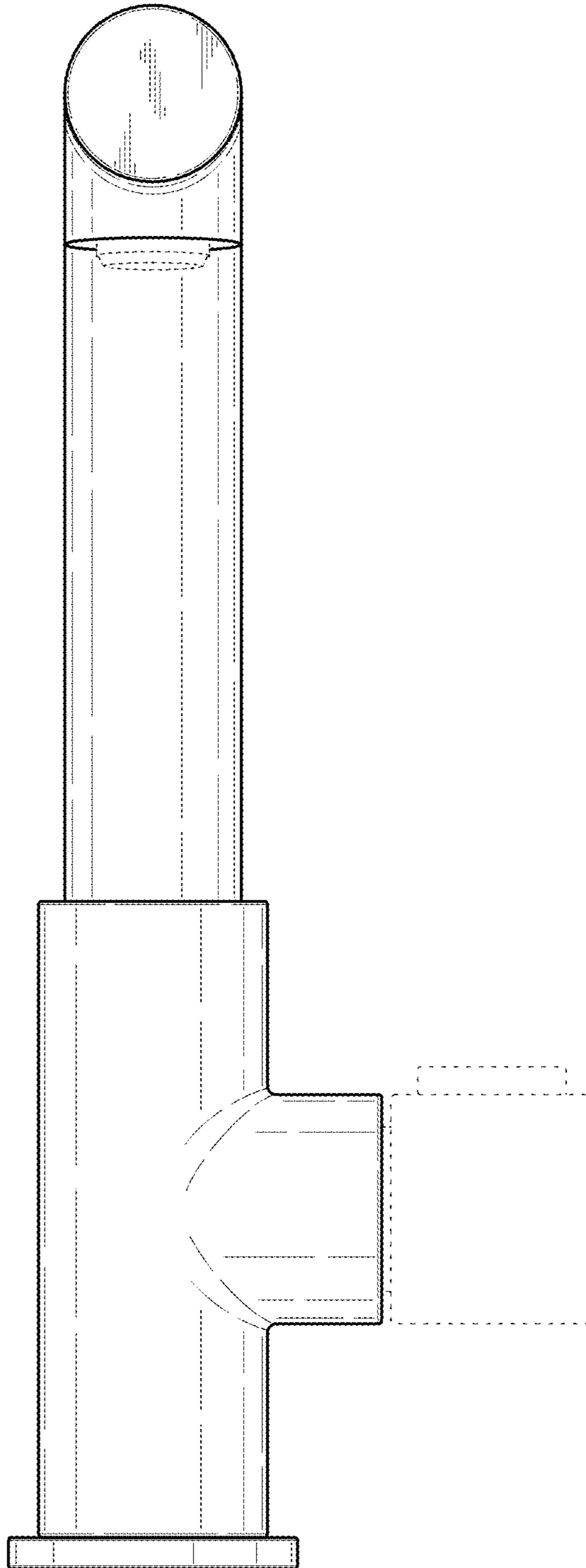


FIG. 3

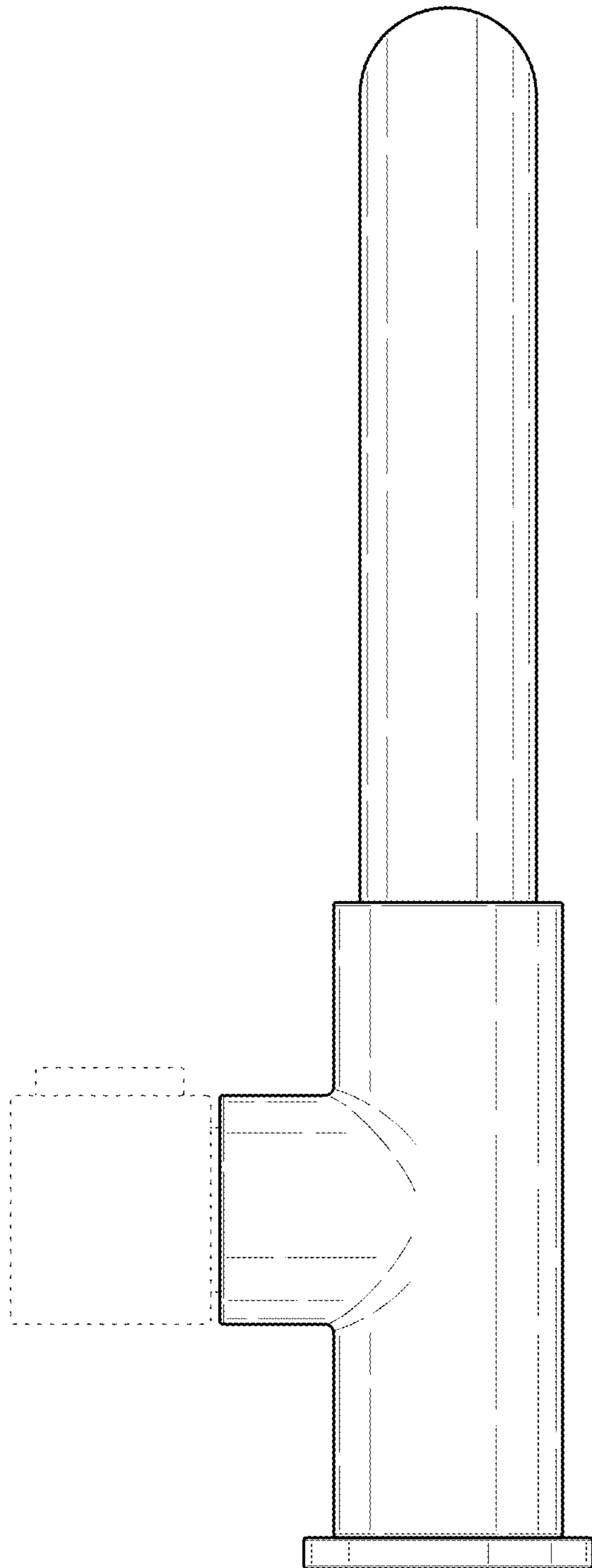


FIG. 4

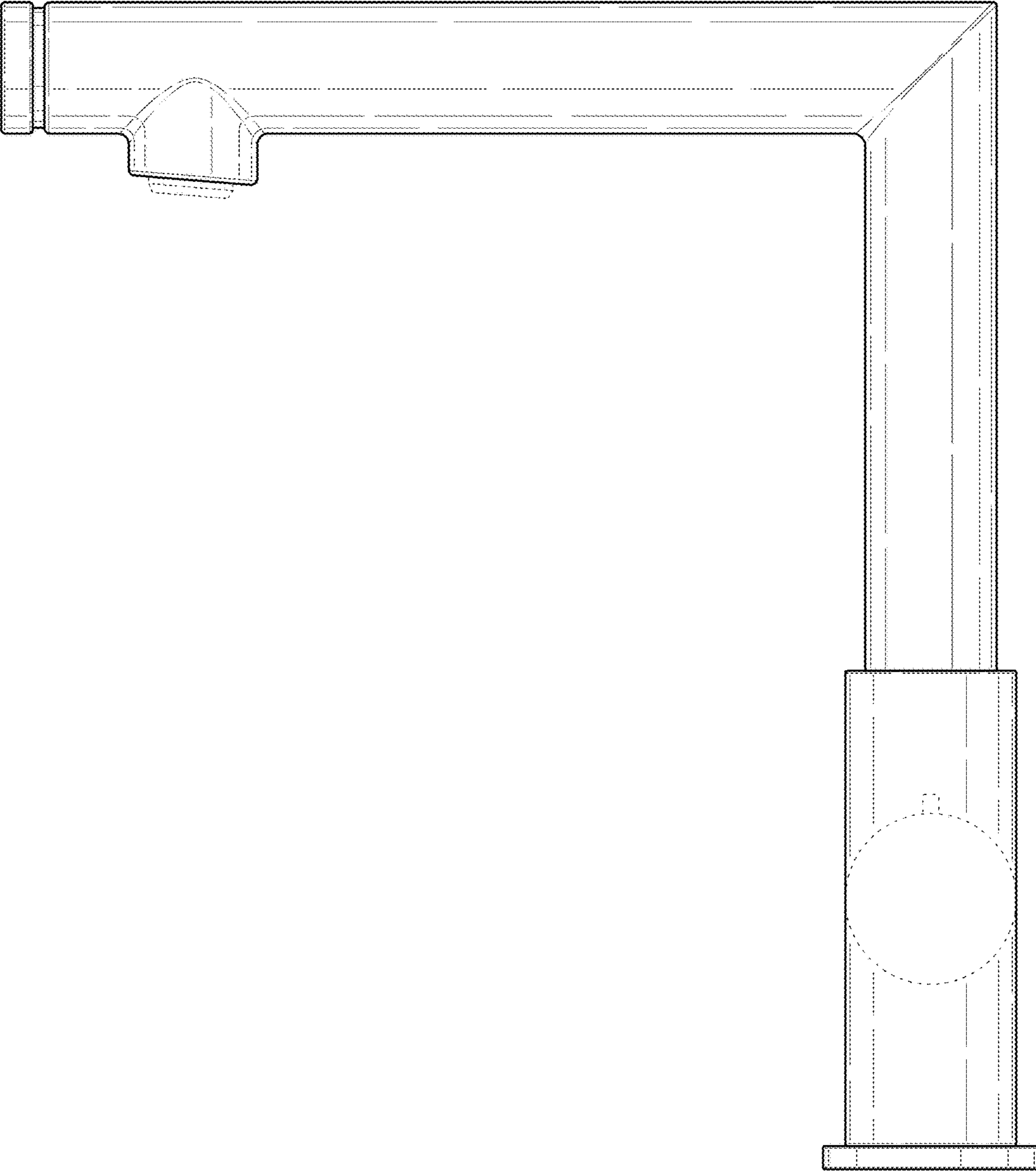


FIG. 5

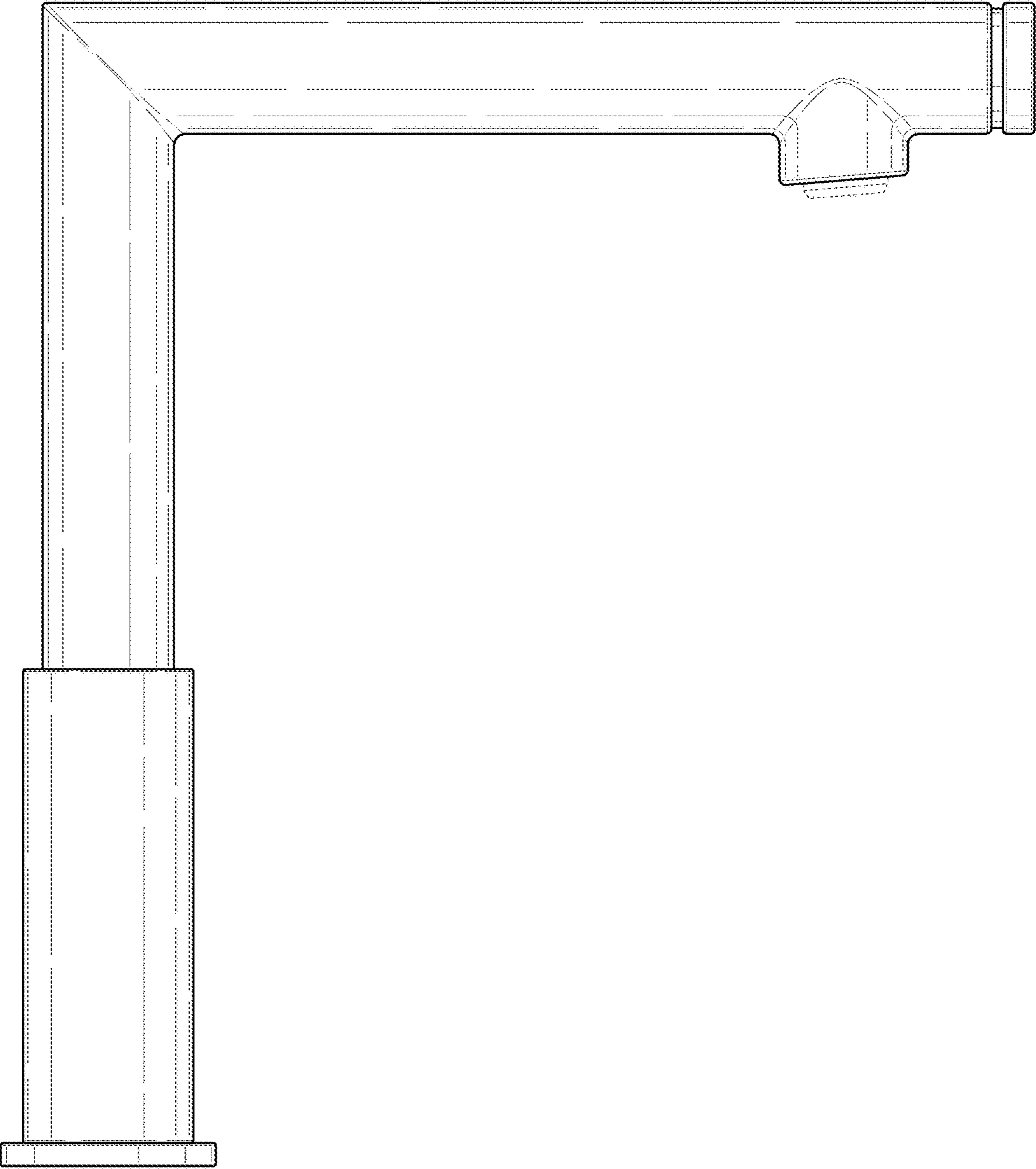


FIG. 6

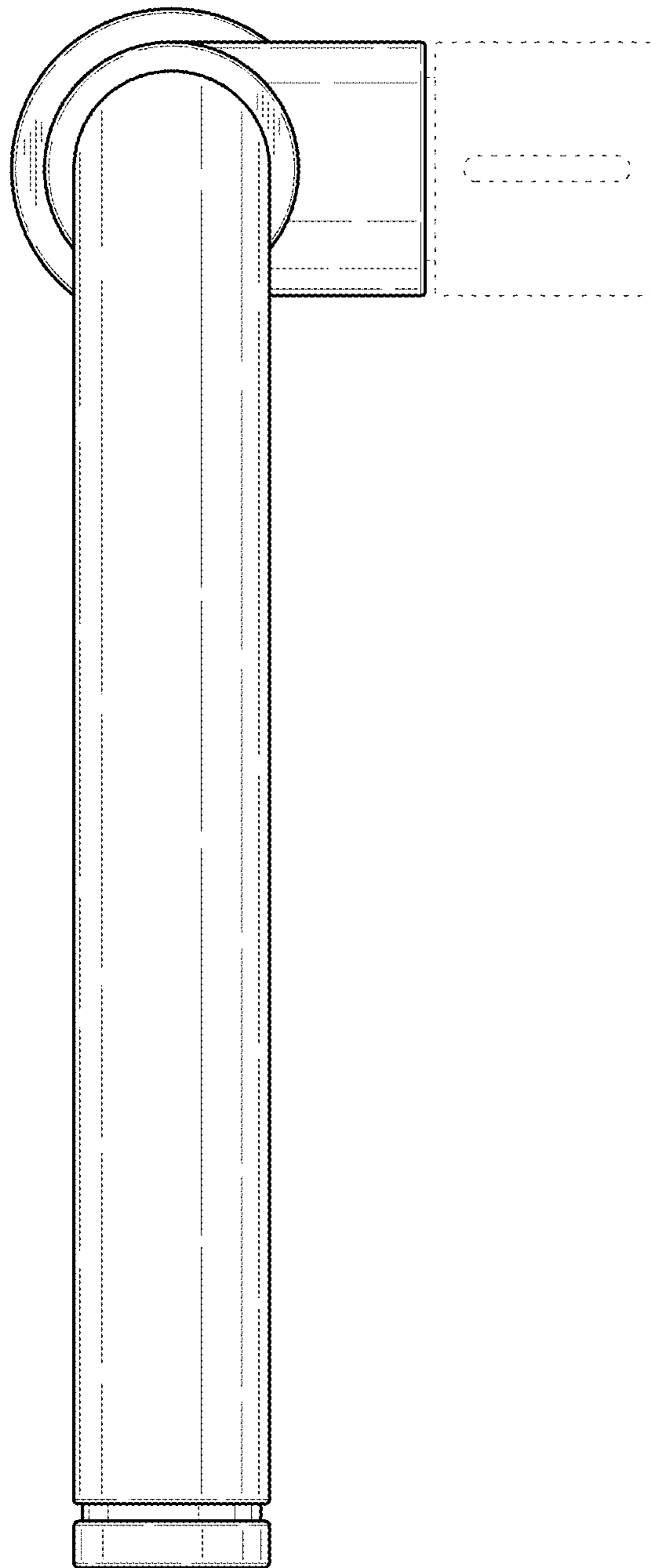


FIG. 7

