



US00D811552S

(12) **United States Design Patent** (10) **Patent No.:** **US D811,552 S**
Fritz (45) **Date of Patent:** **** Feb. 27, 2018**

- (54) **FAUCET BODY**
- (71) Applicant: **DELTA FAUCET COMPANY,**
Indianapolis, IN (US)
- (72) Inventor: **Seth Fritz,** Carmel, IN (US)
- (73) Assignee: **DELTA FAUCET COMPANY,**
Indianapolis, IN (US)
- (**) Term: **15 Years**
- (21) Appl. No.: **29/572,211**
- (22) Filed: **Jul. 26, 2016**
- (51) **LOC (11) Cl.** **23-01**
- (52) **U.S. Cl.**
USPC **D23/255**
- (58) **Field of Classification Search**
USPC D23/238, 241-243, 249, 255, 257, 250,
D23/252, 254
CPC Y10T 137/9464
See application file for complete search history.

- D528,189 S * 9/2006 Kulig D23/238
- D590,922 S * 4/2009 Shieh D23/255
- D645,120 S * 9/2011 Lammel D23/238
- D666,276 S * 8/2012 Fritz D23/238
- D692,986 S * 11/2013 Flowers D23/238

* cited by examiner

Primary Examiner — Robert A Delehanty
(74) *Attorney, Agent, or Firm* — Edgar A. Zarins; Nirav D. Parikh

(57) **CLAIM**

The ornamental design for a faucet body, as shown and described.

DESCRIPTION

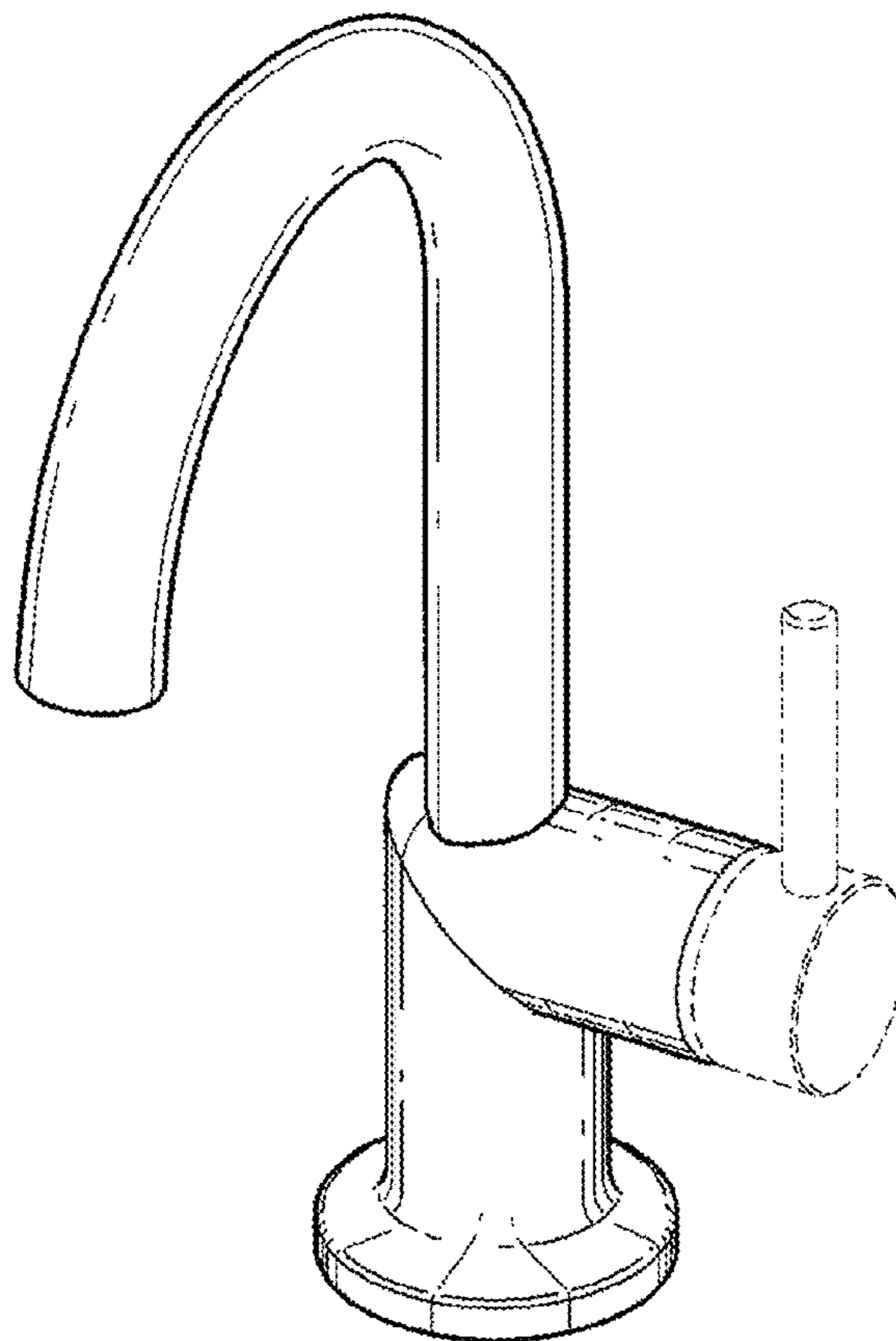
FIG. 1 is a perspective view of a faucet body showing my new design;
FIG. 2 is a front elevational view thereof;
FIG. 3 is a rear view thereof;
FIG. 4 is a top plan view thereof;
FIG. 5 is a right side view thereof;
FIG. 6 is a left side view thereof; and,
FIG. 7 is a bottom view thereof.
The broken lines showing a handle represent unclaimed portion/s of the faucet body and form no part of the claimed design.

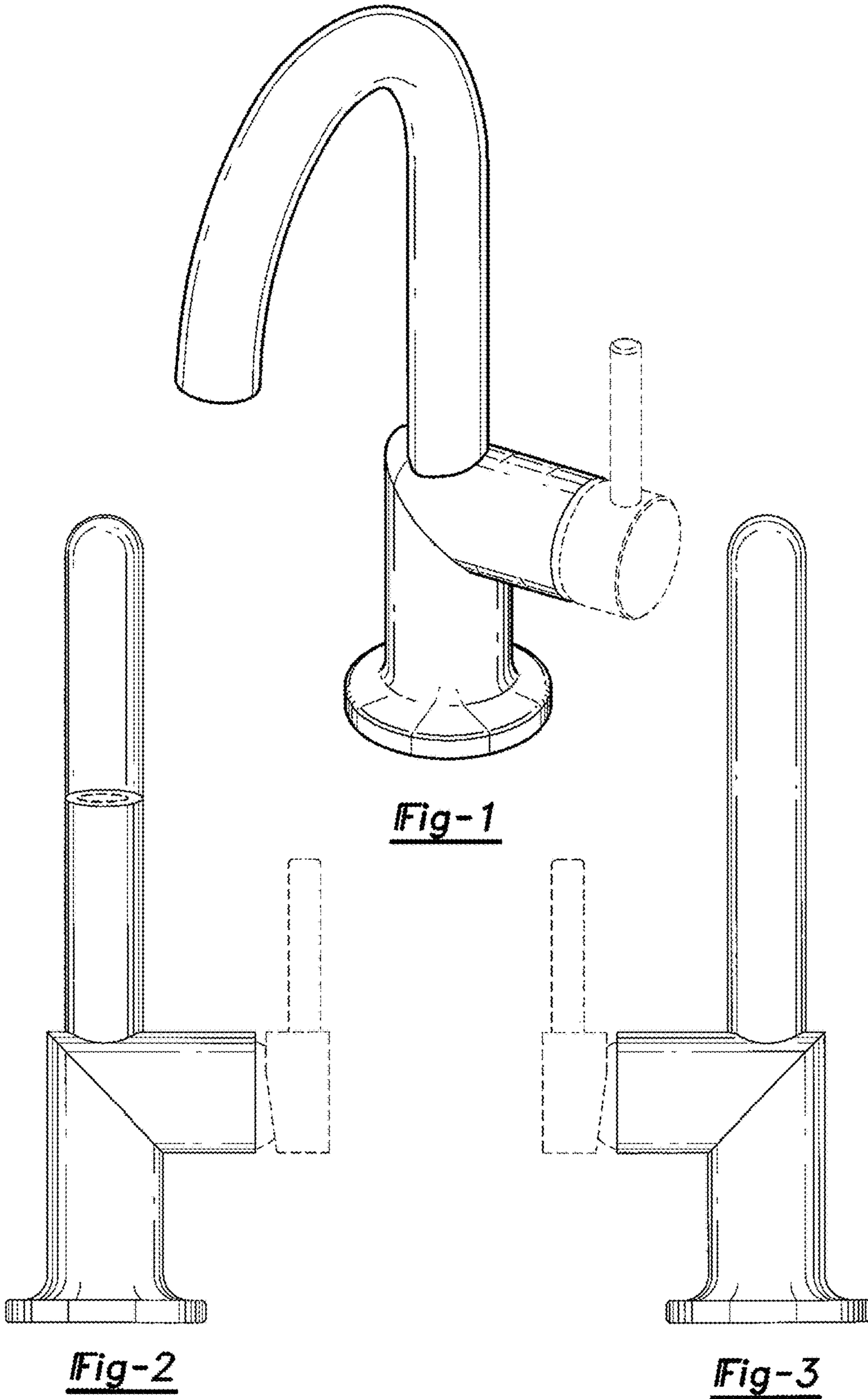
(56) **References Cited**

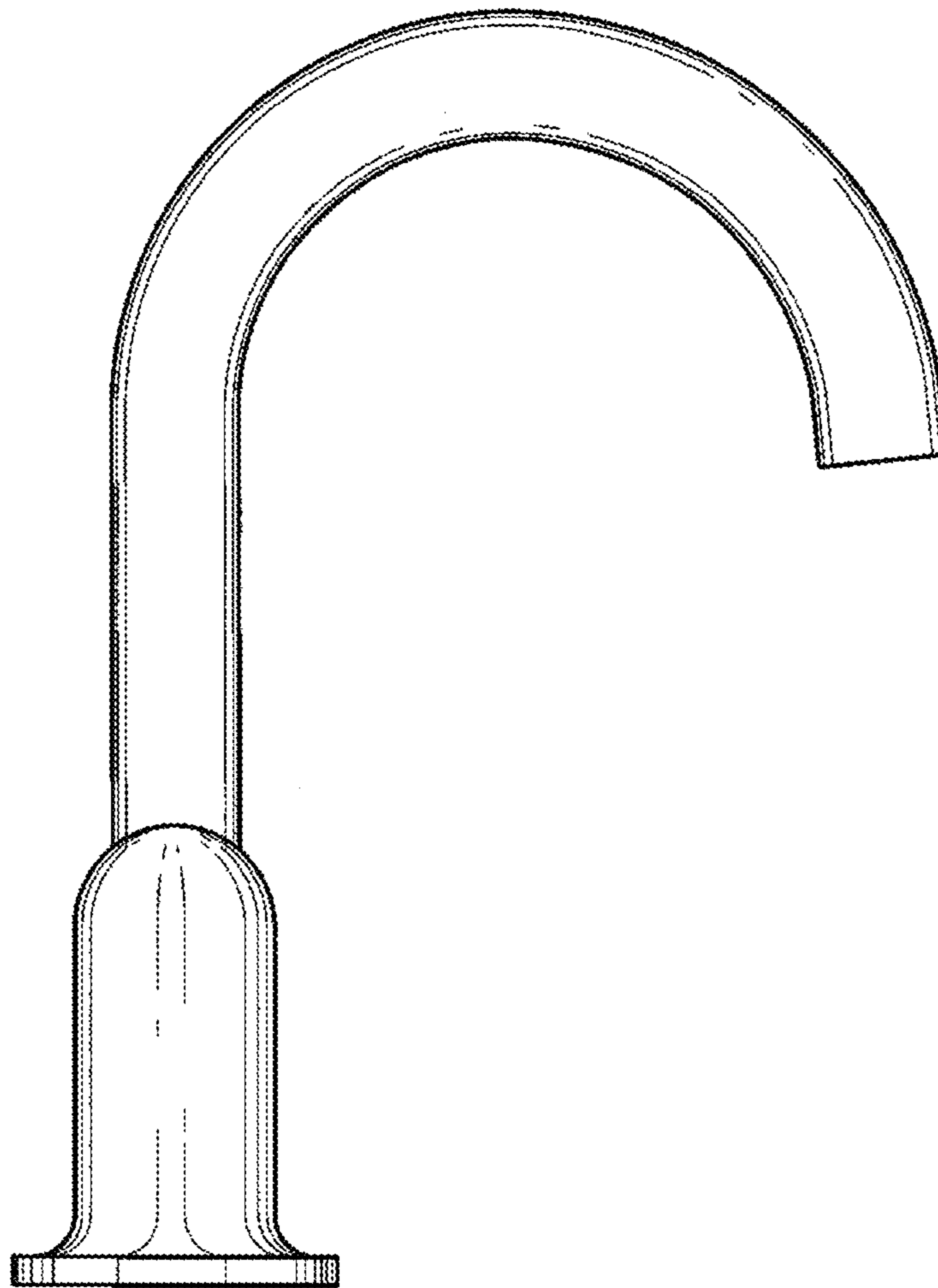
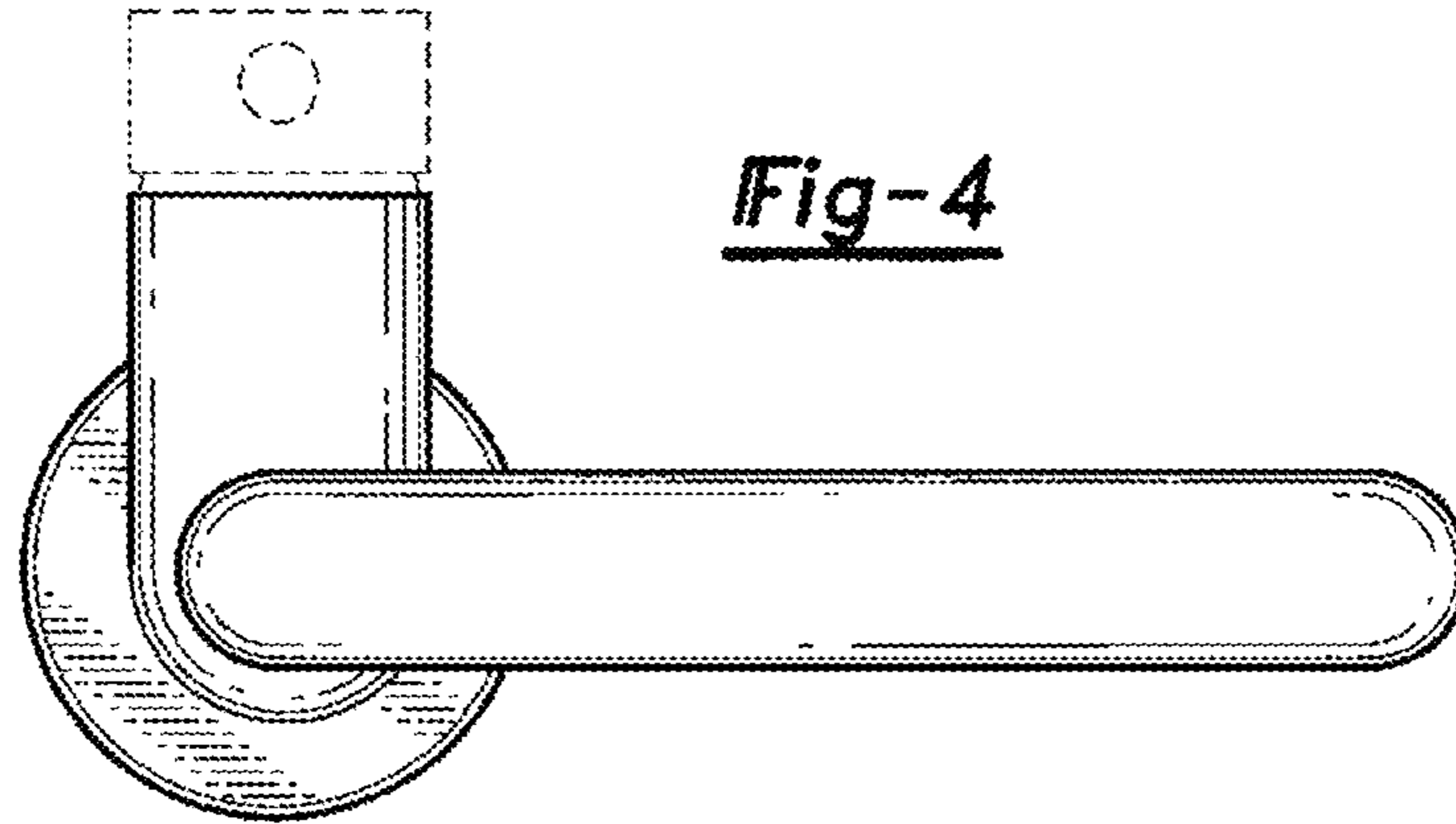
U.S. PATENT DOCUMENTS

- D440,637 S * 4/2001 Lefroy-Brooks D23/238
- D515,666 S * 2/2006 Ng D23/238

1 Claim, 3 Drawing Sheets







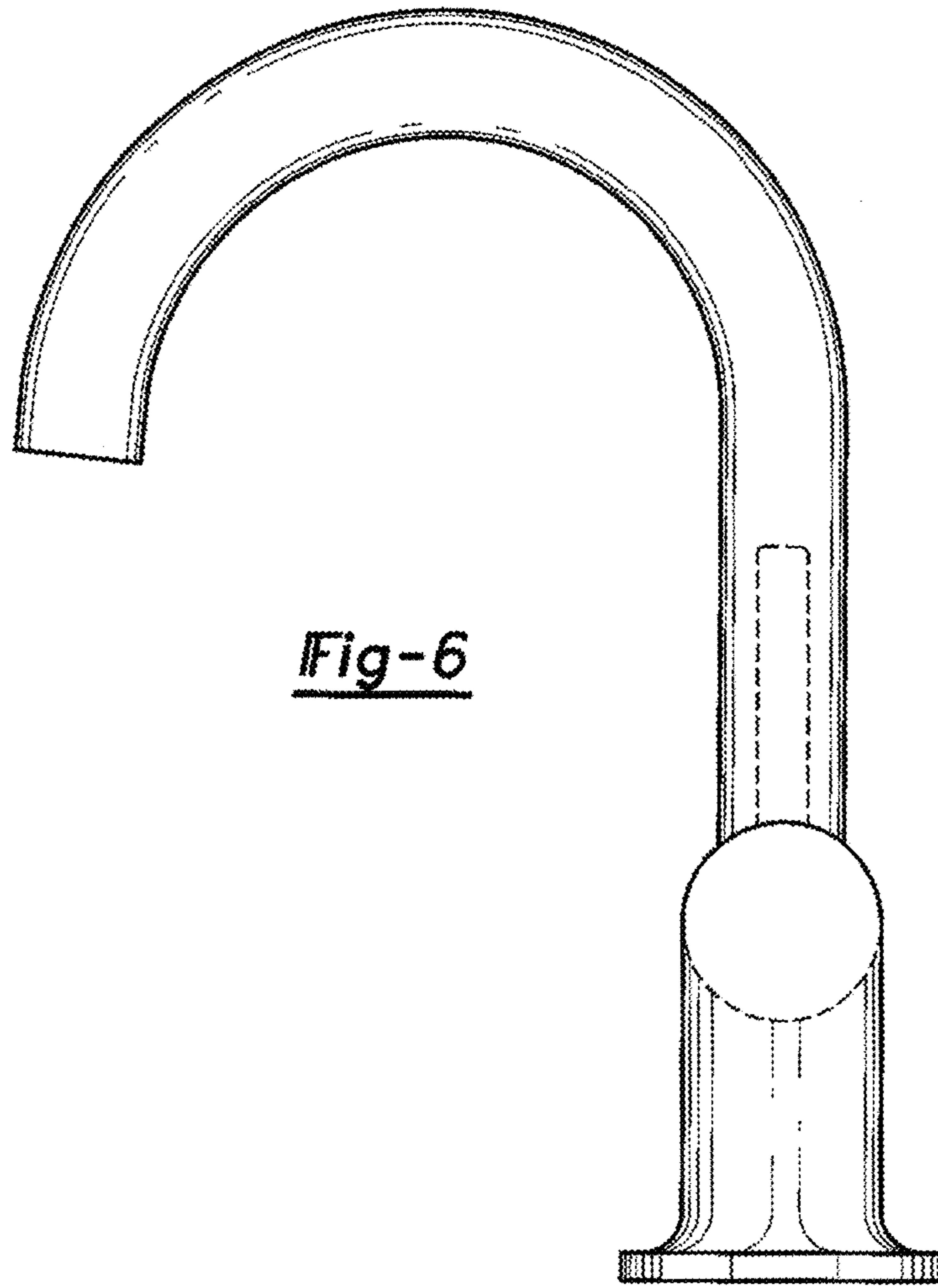


Fig-6

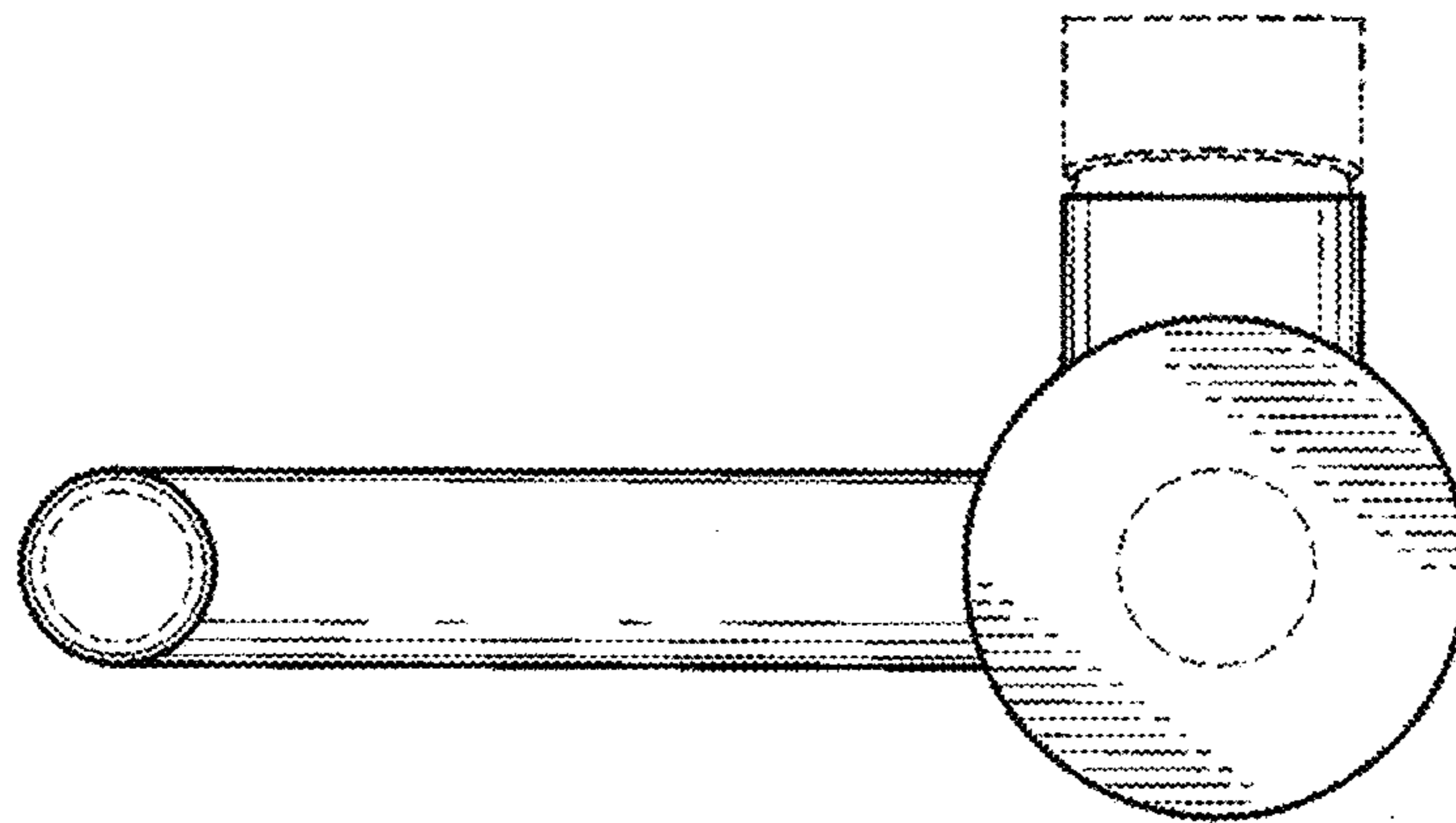


Fig-7