



US00D811548S

(12) **United States Design Patent**
Garland

(10) **Patent No.:** **US D811,548 S**

(45) **Date of Patent:** **** Feb. 27, 2018**

(54) **VALVE**

(71) Applicant: **DELTA FAUCET COMPANY,**
Indianapolis, IN (US)

(72) Inventor: **Celine Kwok Garland,** Zionsville, IN
(US)

(73) Assignee: **DELTA FAUCET COMPANY,**
Indianapolis, IN (US)

(**) Term: **15 Years**

(21) Appl. No.: **29/595,367**

(22) Filed: **Feb. 28, 2017**

(51) **LOC (11) Cl.** **23-01**

(52) **U.S. Cl.**
USPC **D23/254; D23/252**

(58) **Field of Classification Search**
USPC D23/238-243, 249-250, 252, 254;
D8/300, 307-308
CPC Y10T 137/9464
See application file for complete search history.

(56) **References Cited**

U.S. PATENT DOCUMENTS

D238,928 S * 2/1976 Kipp D23/252
D316,747 S * 5/1991 Fleischmann D23/252
D406,322 S * 3/1999 Pitsch D23/252
D460,160 S * 7/2002 Singtoroj D23/252

D613,824 S * 4/2010 Sofield D23/252
D677,759 S * 3/2013 Mendoza D23/252
D764,639 S * 8/2016 Garland D23/252
D785,436 S * 5/2017 Carlino D8/308
D789,493 S * 6/2017 Dube D23/254
D789,494 S * 6/2017 Dube D23/252
D800,271 S * 10/2017 Andrew D23/252

* cited by examiner

Primary Examiner — Robert A Delehanty

(74) *Attorney, Agent, or Firm* — Edgar A. Zarins; Nirav
D. Parikh

(57) **CLAIM**

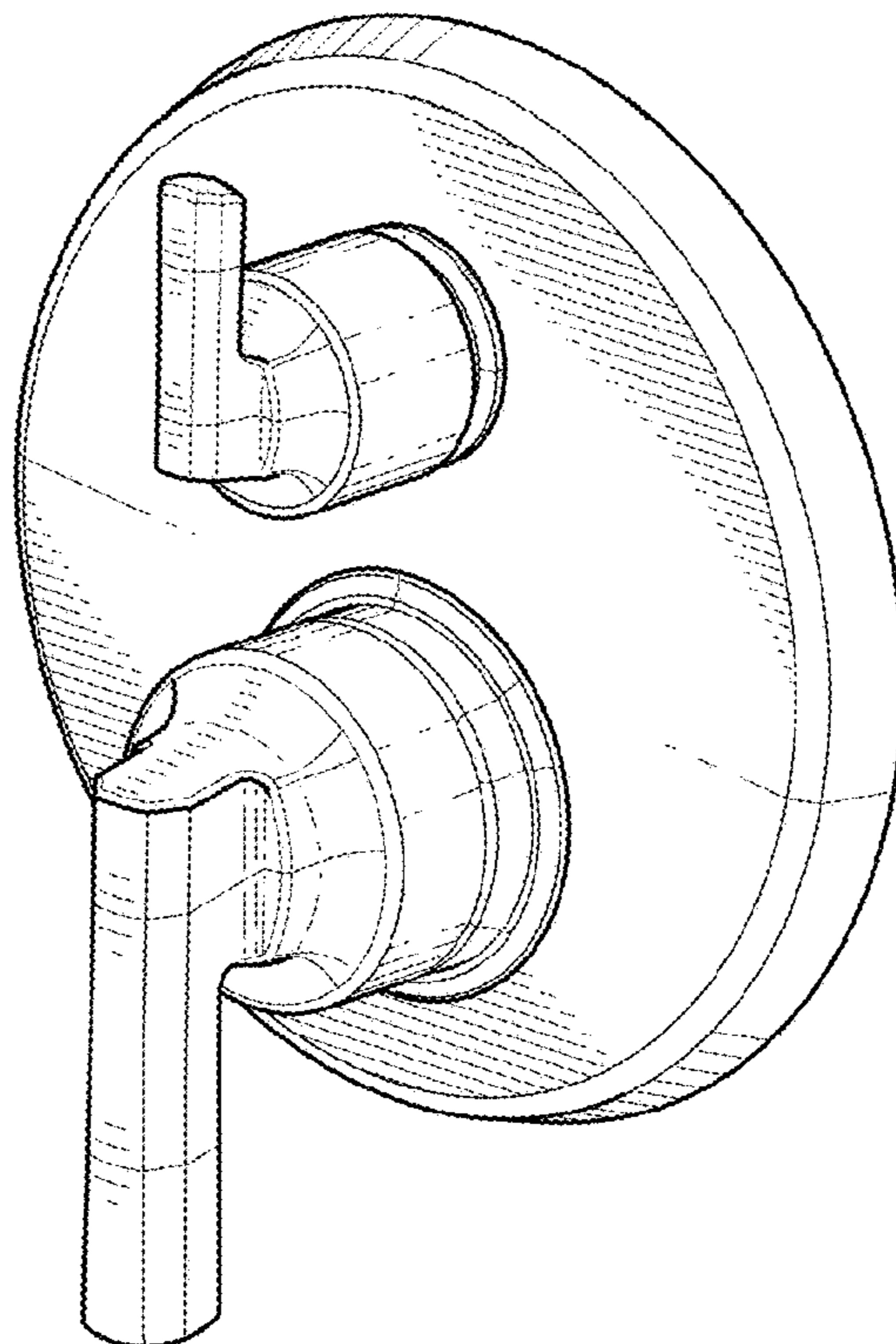
The ornamental design for a valve, as shown and described.

DESCRIPTION

FIG. 1 is a perspective view of a valve showing my new design;
FIG. 2 is a top plan view thereof;
FIG. 3 is a bottom view thereof;
FIG. 4 is a front elevational view thereof;
FIG. 5 is a left side view thereof, the opposite side being a mirror image of the side shown; and,
FIG. 6 is a rear view thereof.

The broken lines showing of holes on the back side of the valve are included for the purpose of illustrating a portion of the valve and form no part of the claimed design.

1 Claim, 2 Drawing Sheets



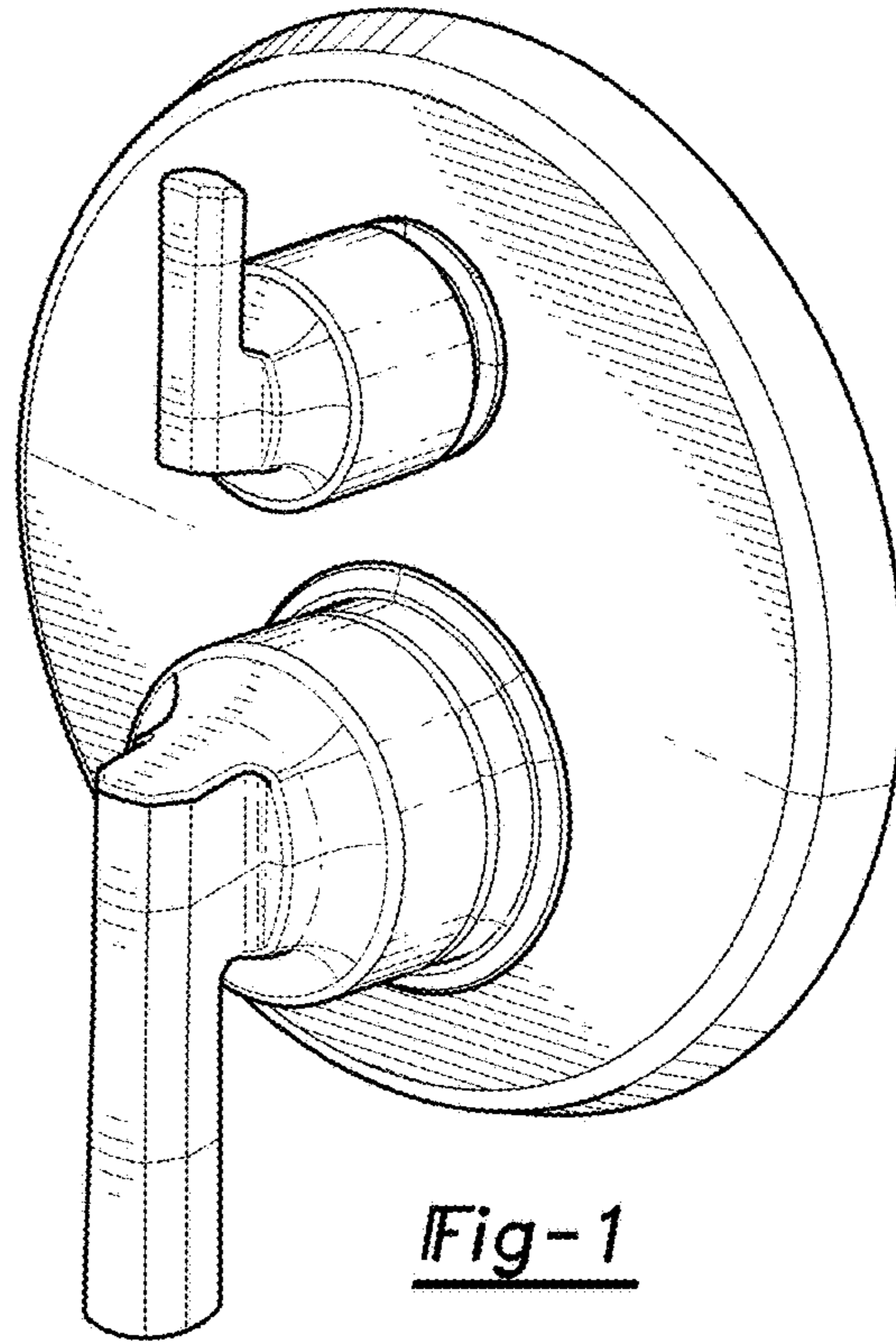


Fig-1

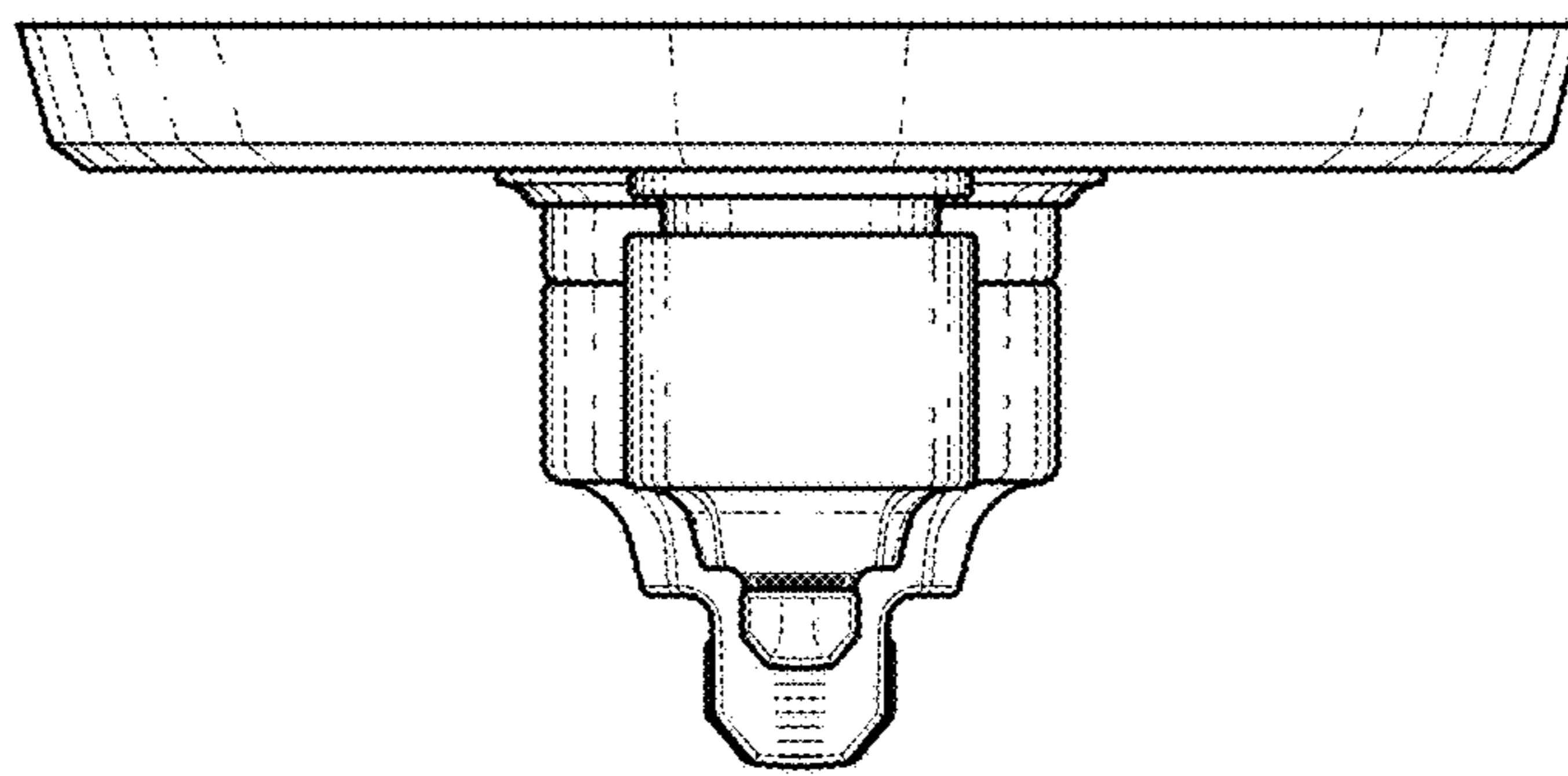


Fig-2

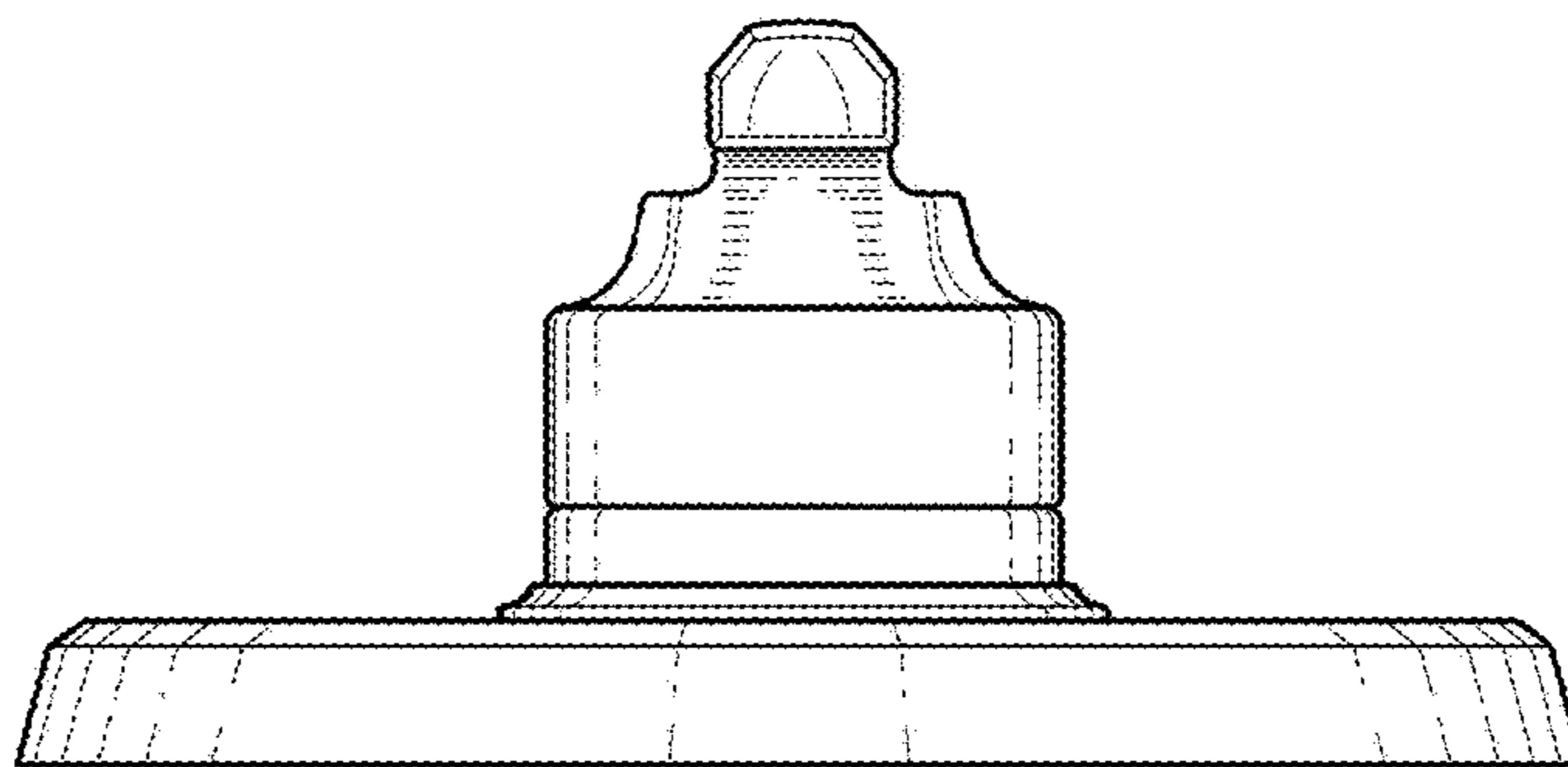


Fig-3

Fig-4

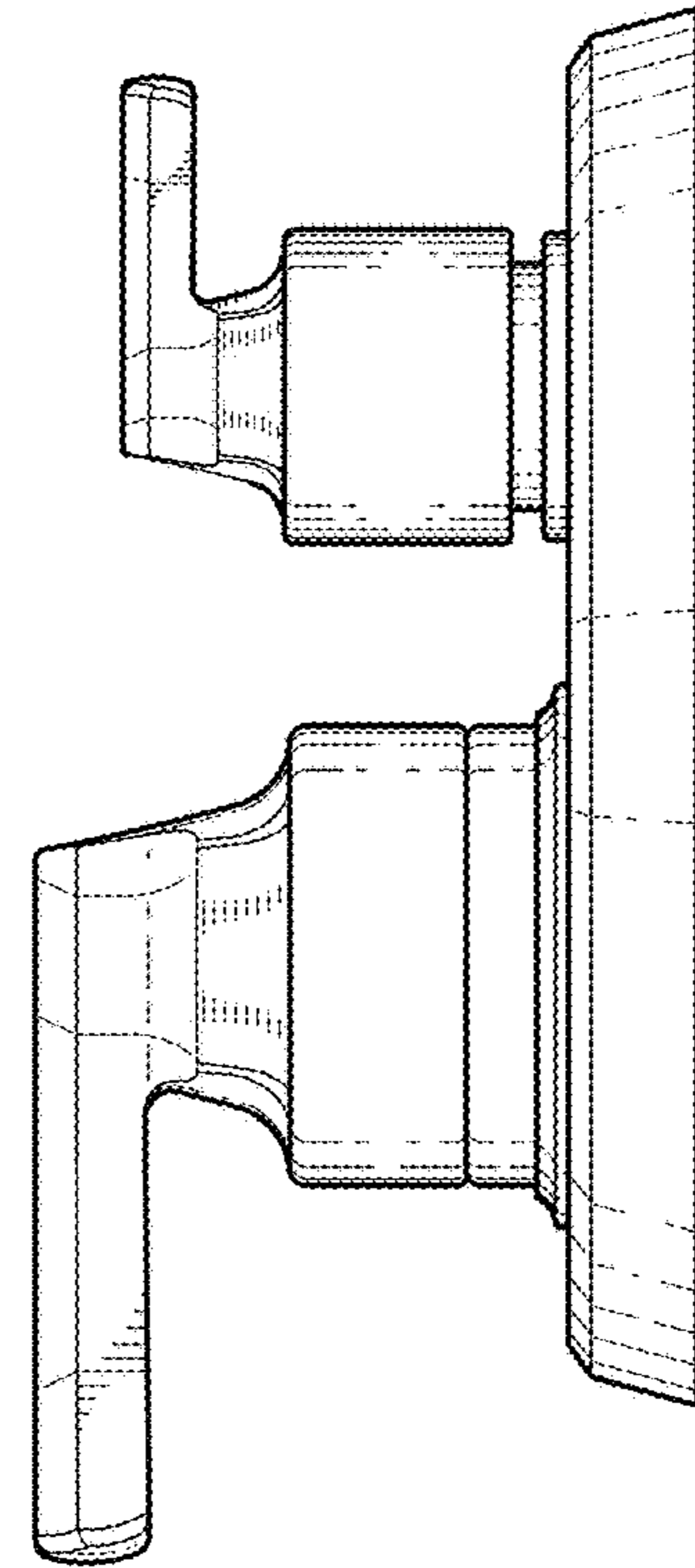
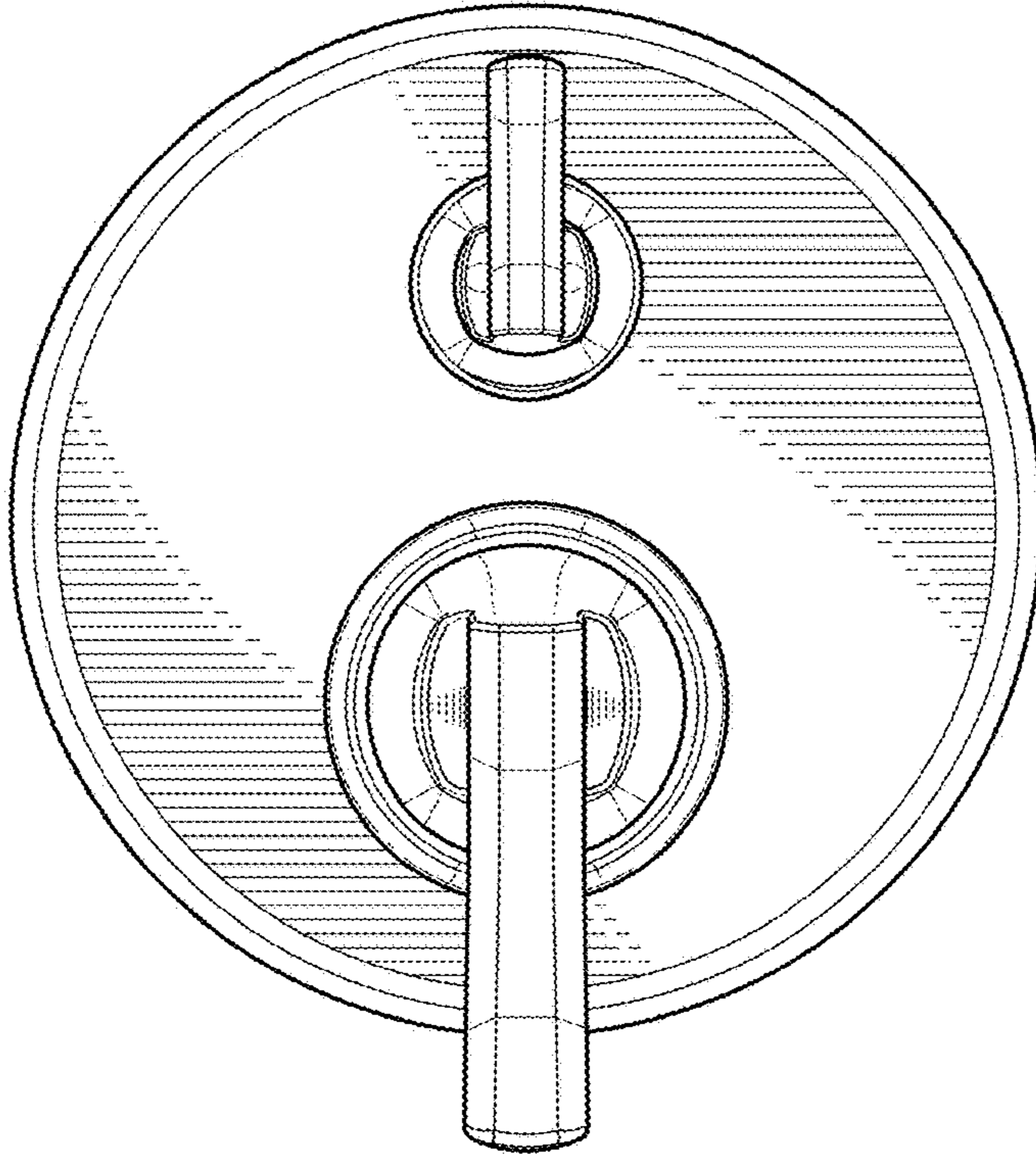


Fig-5

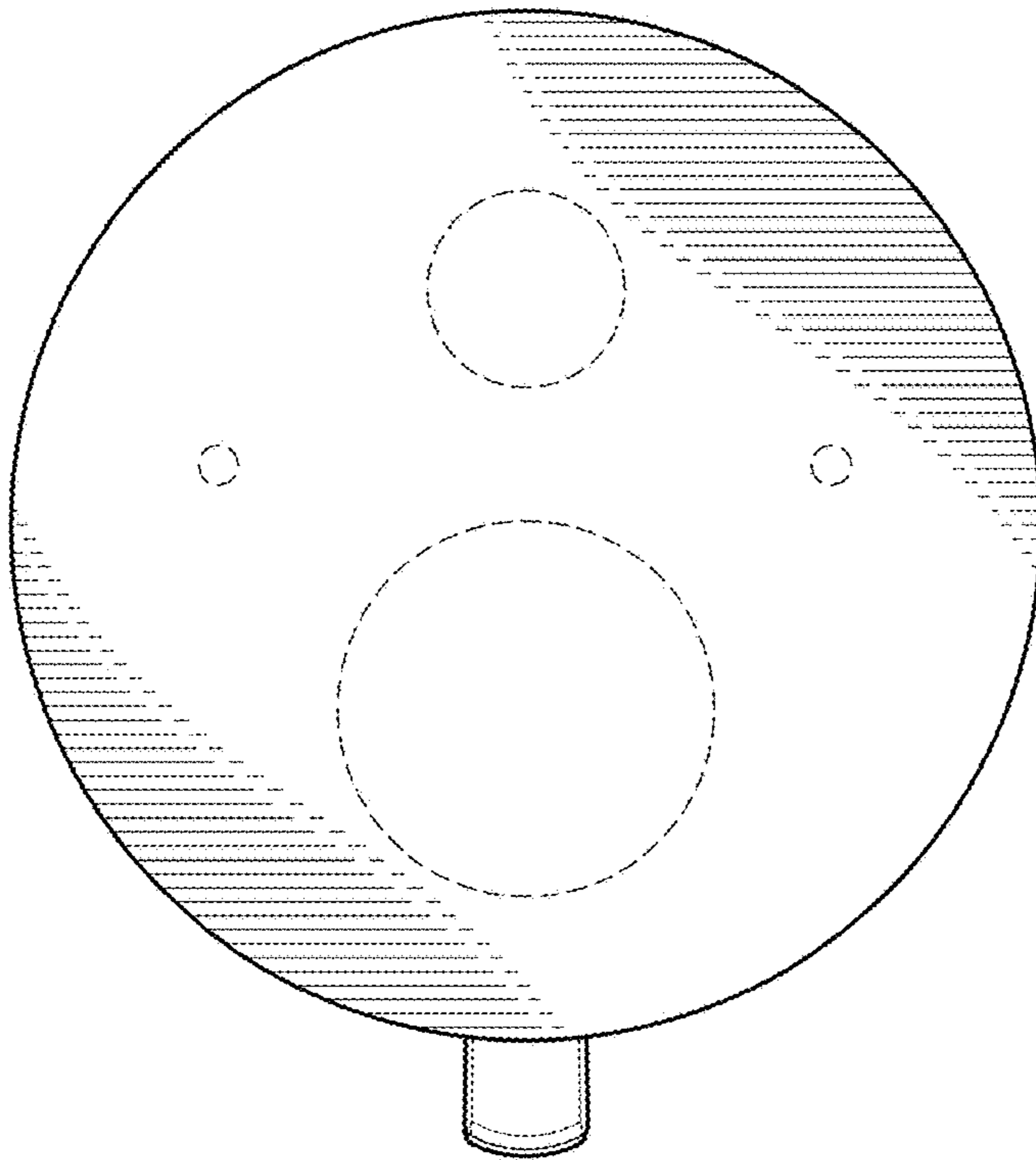


Fig-6