

US00D811547S

(12) **United States Design Patent** (10) **Patent No.:** **US D811,547 S**  
**Andrew** (45) **Date of Patent:** **\*\* Feb. 27, 2018**

(54) **VALVE**

CPC ..... Y10T 137/9464  
See application file for complete search history.

(71) Applicant: **DELTA FAUCET COMPANY,**  
Indianapolis, IN (US)

(56) **References Cited**

U.S. PATENT DOCUMENTS

(72) Inventor: **Mercedita Andrew,** Indianapolis, IN  
(US)

6,943,297 B2 \* 9/2005 Capella ..... H01R 13/4534  
174/66  
D627,861 S \* 11/2010 Sandee ..... D23/254  
D628,277 S \* 11/2010 Montgomery ..... D23/252  
D754,820 S \* 4/2016 Bahler ..... D23/238  
D800,873 S \* 10/2017 Jewell ..... D23/238

(73) Assignee: **DELTA FAUCET COMPANY,**  
Indianapolis, IN (US)

\* cited by examiner

(\*\*) Term: **15 Years**

*Primary Examiner* — Robert A Delehanty  
(74) *Attorney, Agent, or Firm* — Edgar A. Zarins; Nirav  
D. Parikh

(21) Appl. No.: **29/576,639**

(57) **CLAIM**

The ornamental design for a valve, as shown and described.

(22) Filed: **Sep. 6, 2016**

**DESCRIPTION**

(51) **LOC (11) Cl.** ..... **23-01**

FIG. 1 is a perspective view of a valve showing my new design;  
FIG. 2 is a front elevational view thereof;  
FIG. 3 is a rear view thereof;  
FIG. 4 is a right side view thereof, the opposite side being  
a mirror image of the side shown;  
FIG. 5 is a top plan view thereof; and,  
FIG. 6 is a bottom view thereof.

(52) **U.S. Cl.**

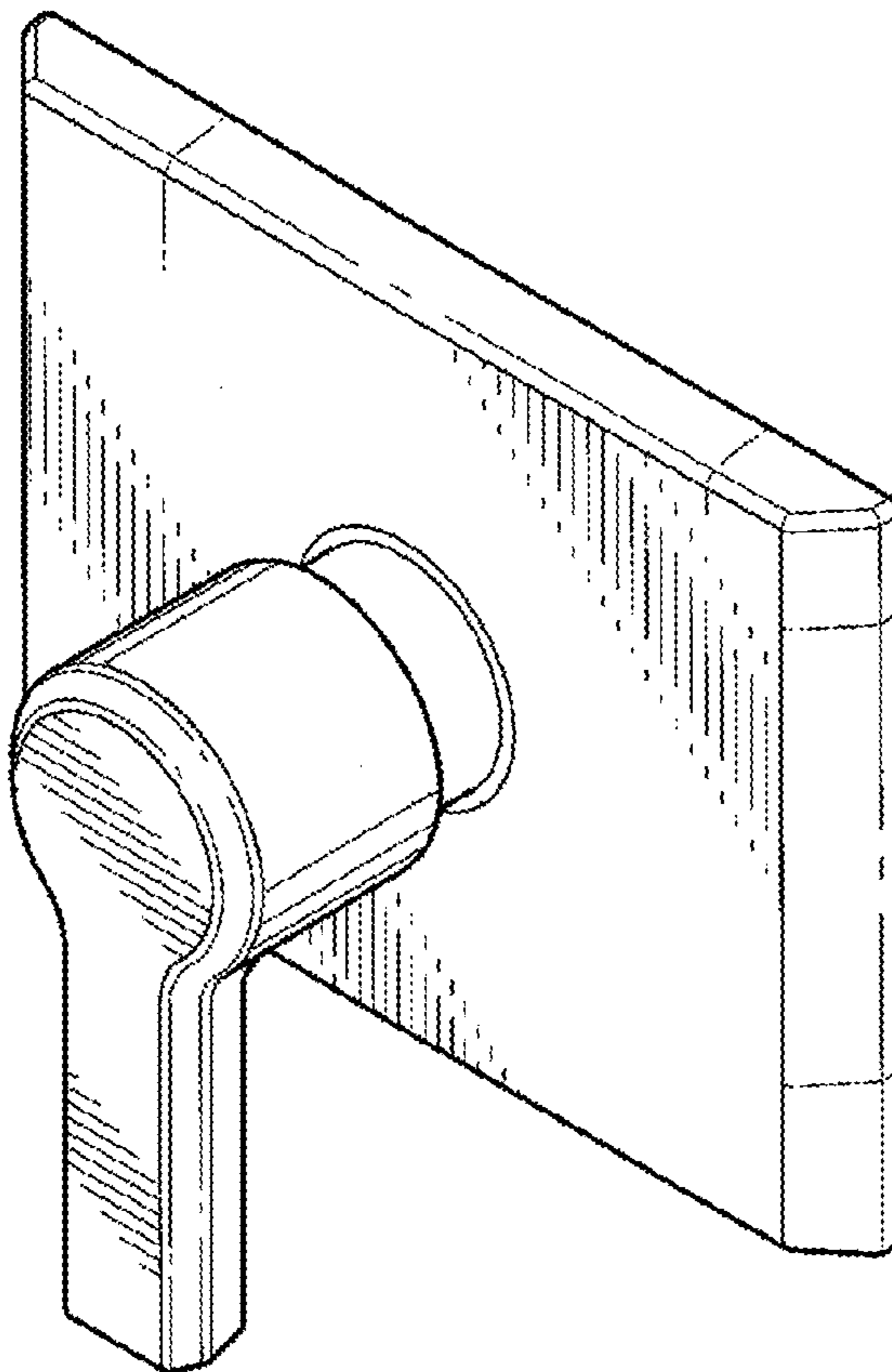
USPC ..... **D23/254**

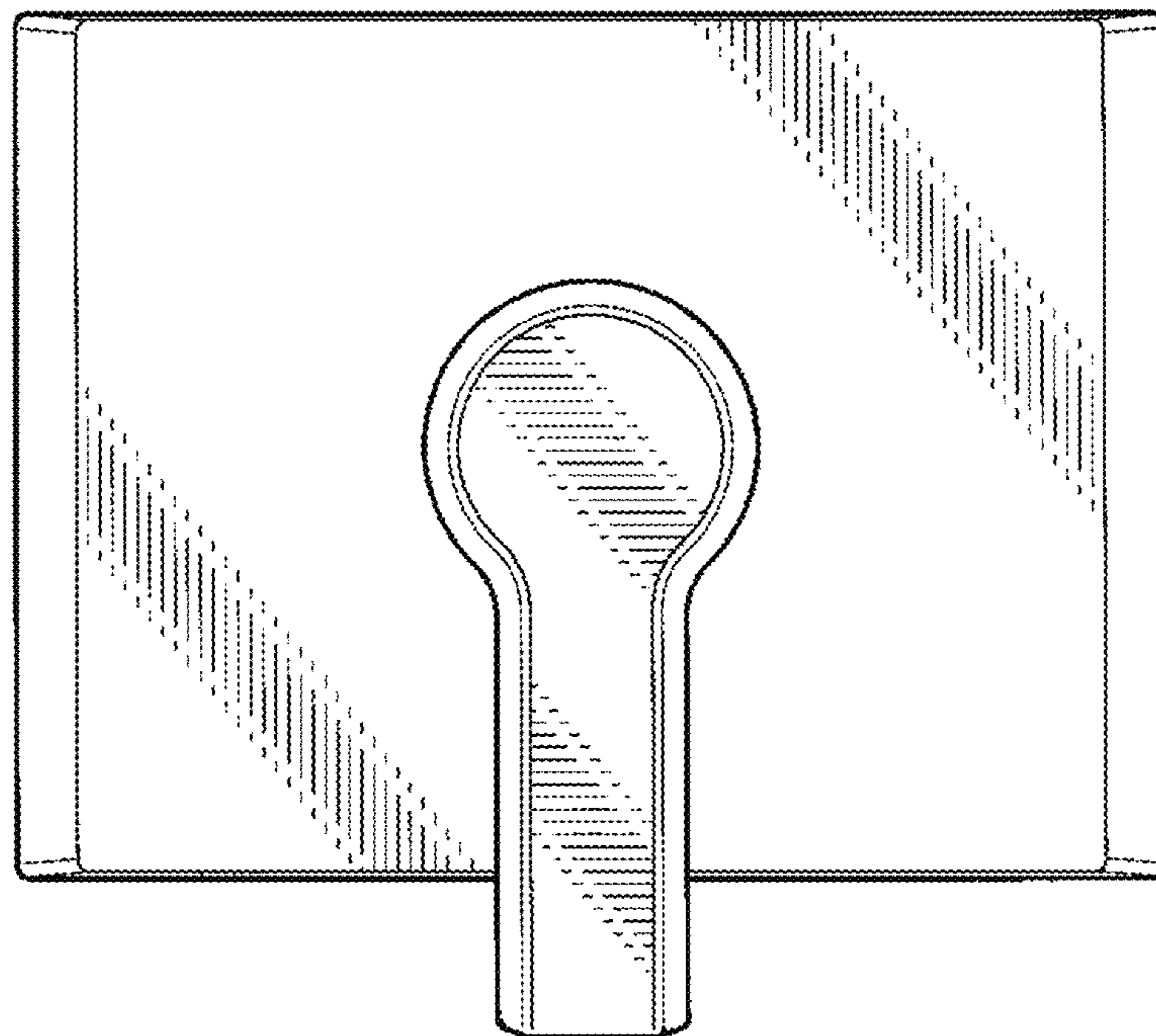
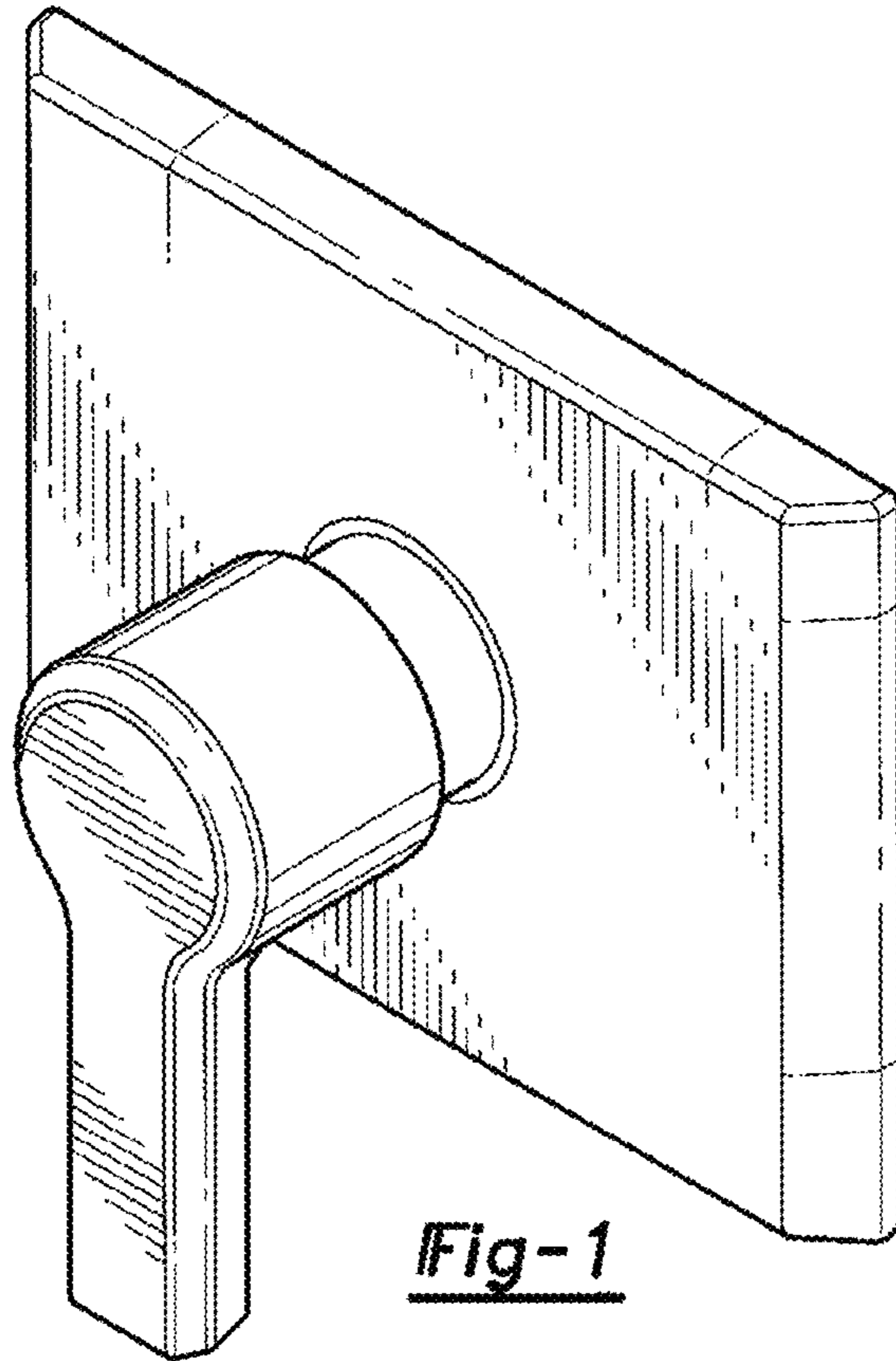
(58) **Field of Classification Search**

USPC ..... D23/238-243, 249-250, 252, 254;

D8/353

**1 Claim, 3 Drawing Sheets**





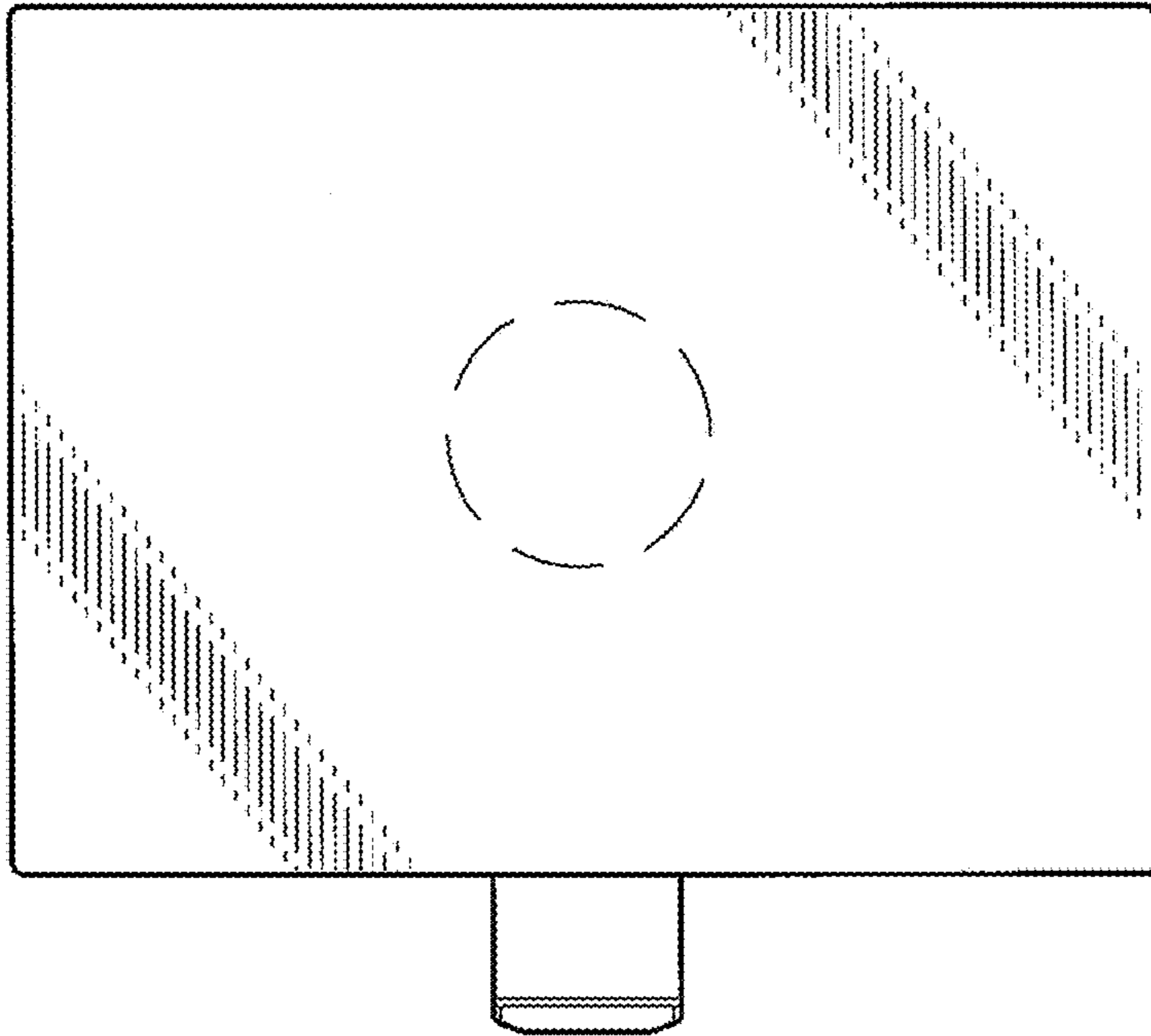


Fig-3

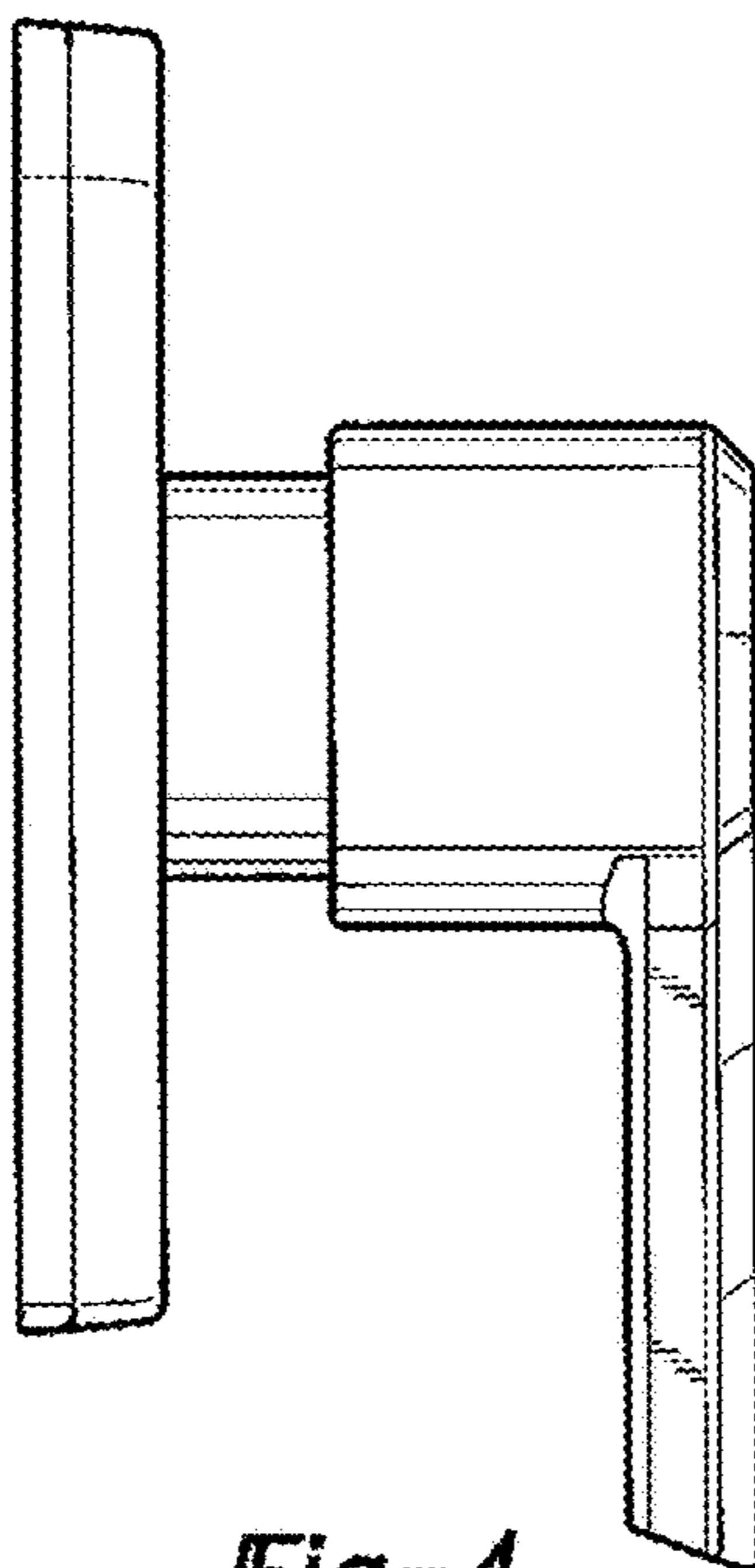


Fig-4

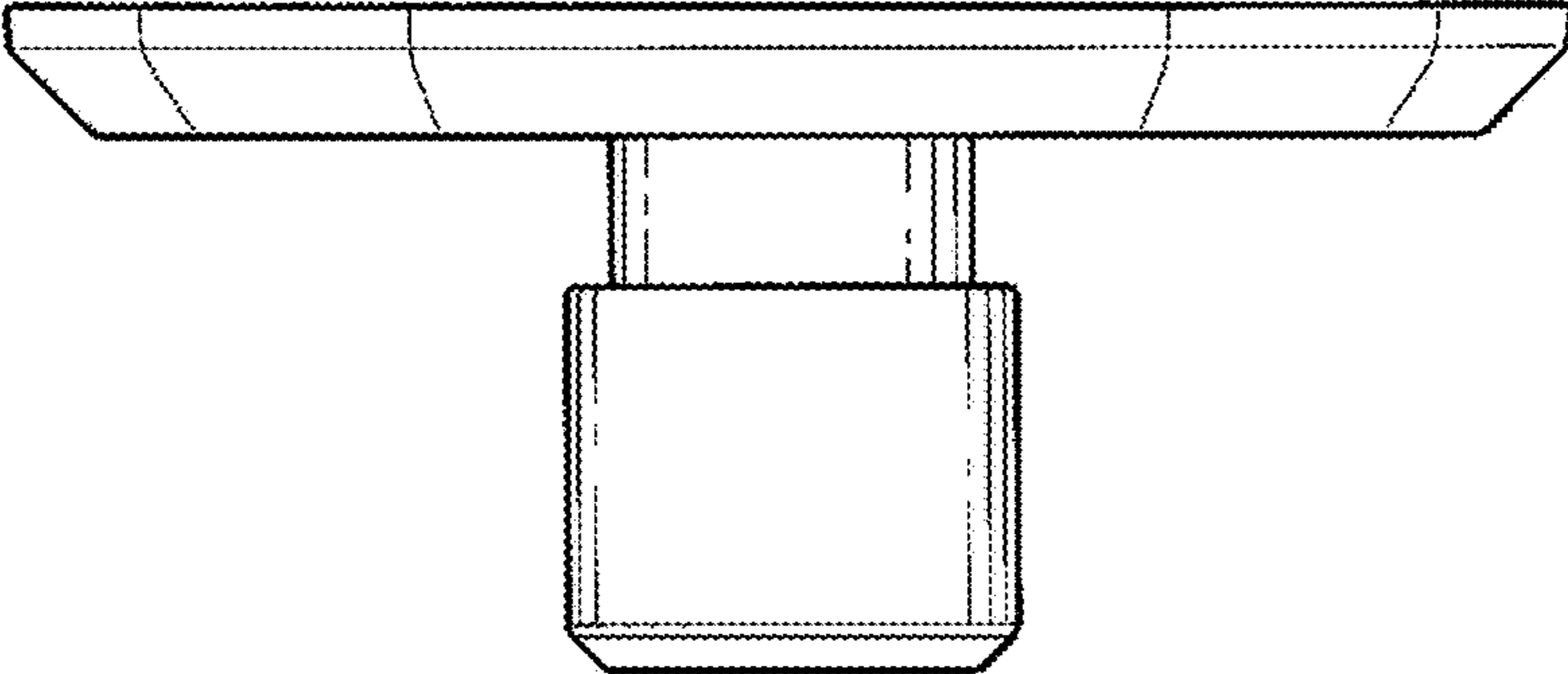


Fig-5

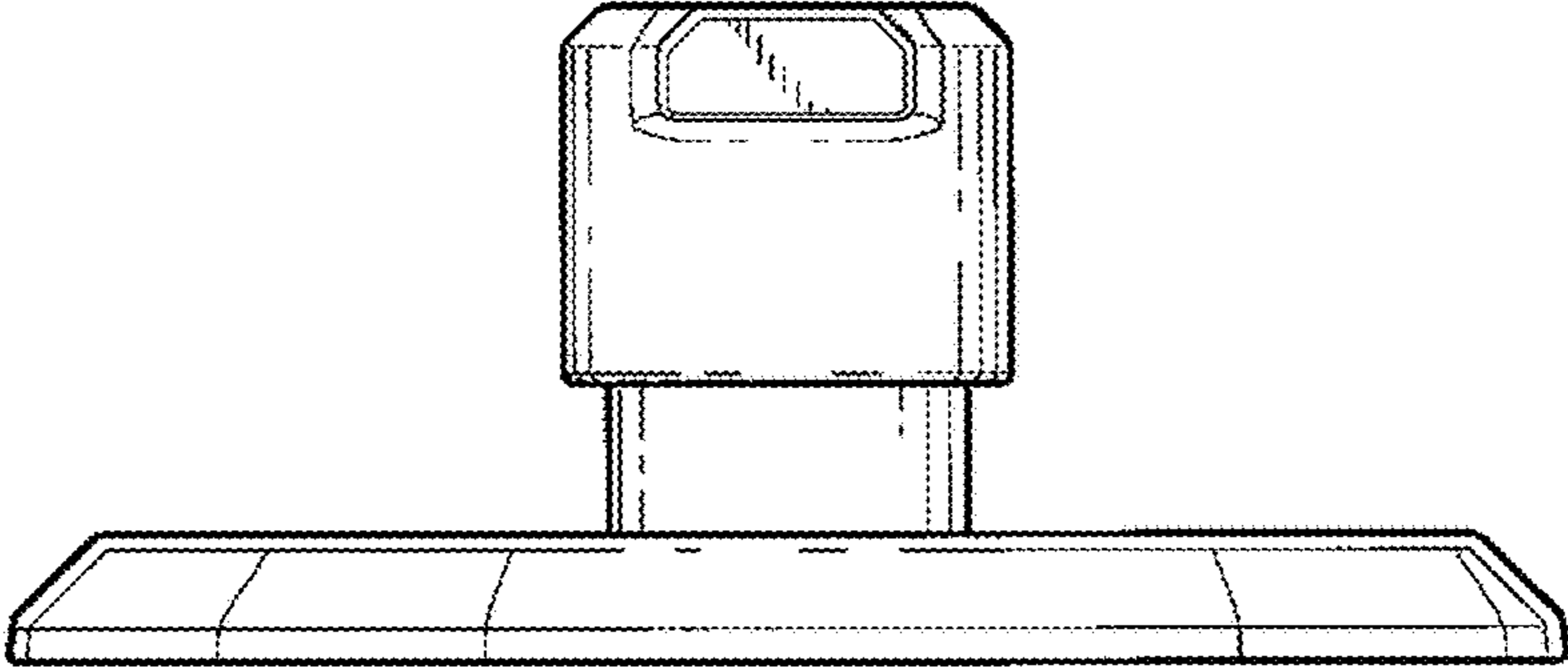


Fig-6