



US00D811546S

(12) **United States Design Patent** (10) **Patent No.:** **US D811,546 S**
Bennett (45) **Date of Patent:** **** Feb. 27, 2018**

(54) **FAUCET HANDLE**

(56) **References Cited**

(71) Applicant: **DELTA FAUCET COMPANY,**
Indianapolis, IN (US)

U.S. PATENT DOCUMENTS

(72) Inventor: **Samantha Bennett,** Bayou Vista, TX
(US)

D713,015 S * 9/2014 Schoenherr D23/253
D796,642 S * 9/2017 Andrew D23/253
D800,268 S * 10/2017 Garland D23/252

* cited by examiner

(73) Assignee: **DELTA FAUCET COMPANY,**
Indianapolis, IN (US)

Primary Examiner — Robert A Delehanty
(74) *Attorney, Agent, or Firm* — Edgar A. Zarins; Nirav
D. Parikh

(**) Term: **15 Years**

(57) **CLAIM**

(21) Appl. No.: **29/588,295**

The ornamental design for a faucet handle, as shown and described.

(22) Filed: **Dec. 20, 2016**

DESCRIPTION

(51) **LOC (11) Cl.** **23-01**

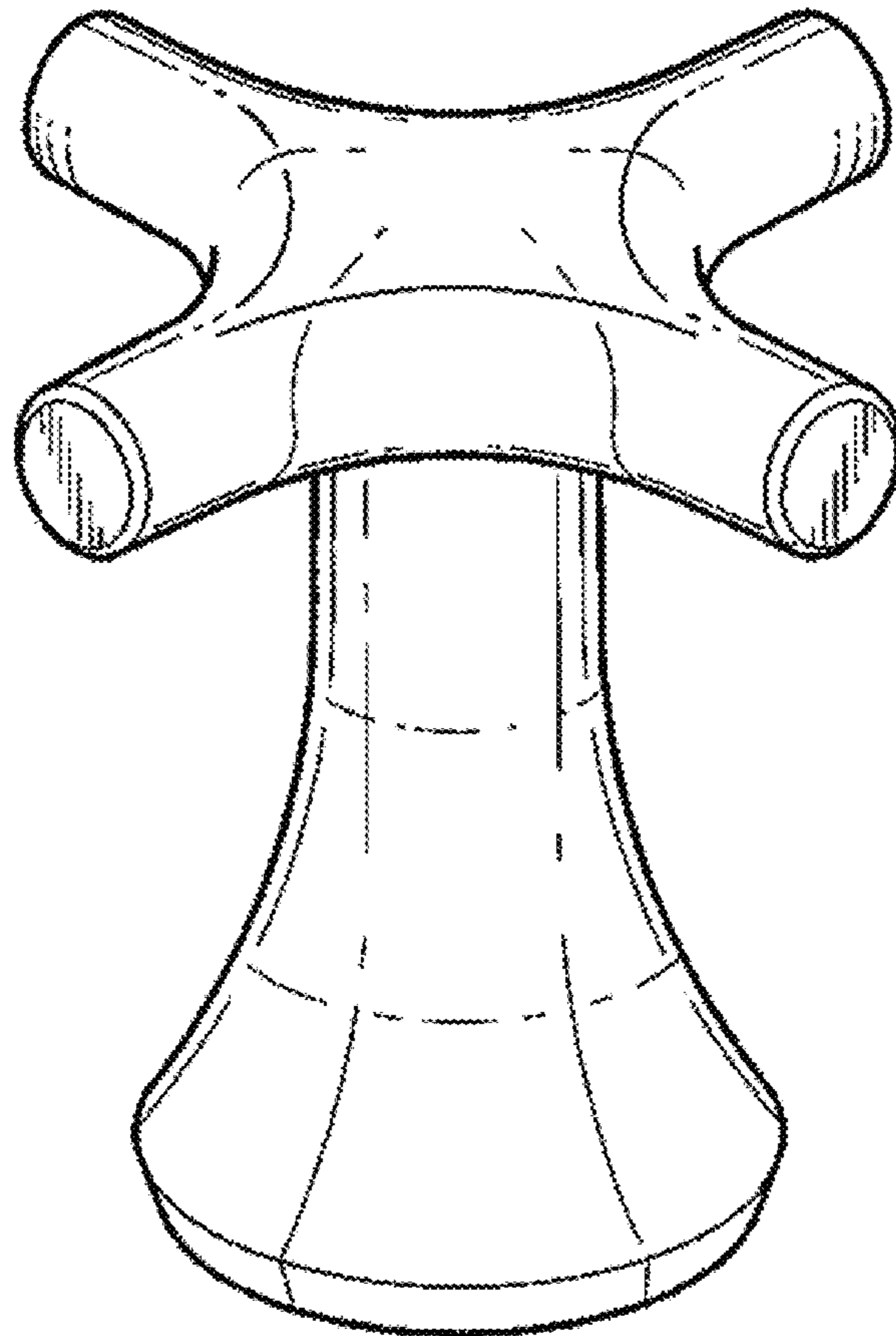
(52) **U.S. Cl.**
USPC **D23/253**

(58) **Field of Classification Search**
USPC D23/238, 241–243, 249–250, 252, 254,
D23/245; D8/307–308
CPC Y10T 137/9464

FIG. 1 is a perspective view of a faucet handle showing my new design;
FIG. 2 is a top plan view thereof;
FIG. 3 is first side view thereof, all other sides being a mirror image of the side shown; and,
FIG. 4 is a bottom view thereof.

See application file for complete search history.

1 Claim, 1 Drawing Sheet



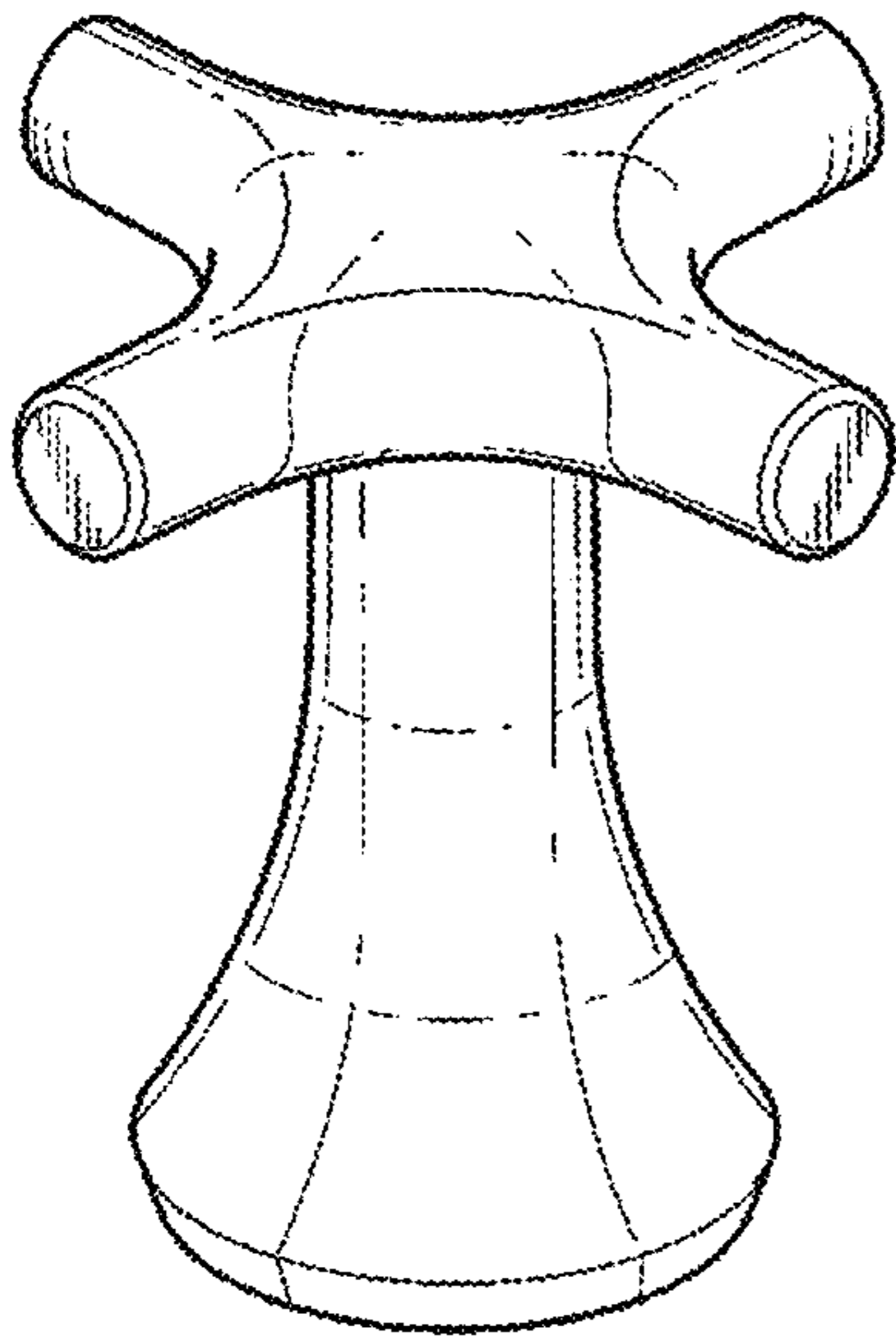


Fig-1

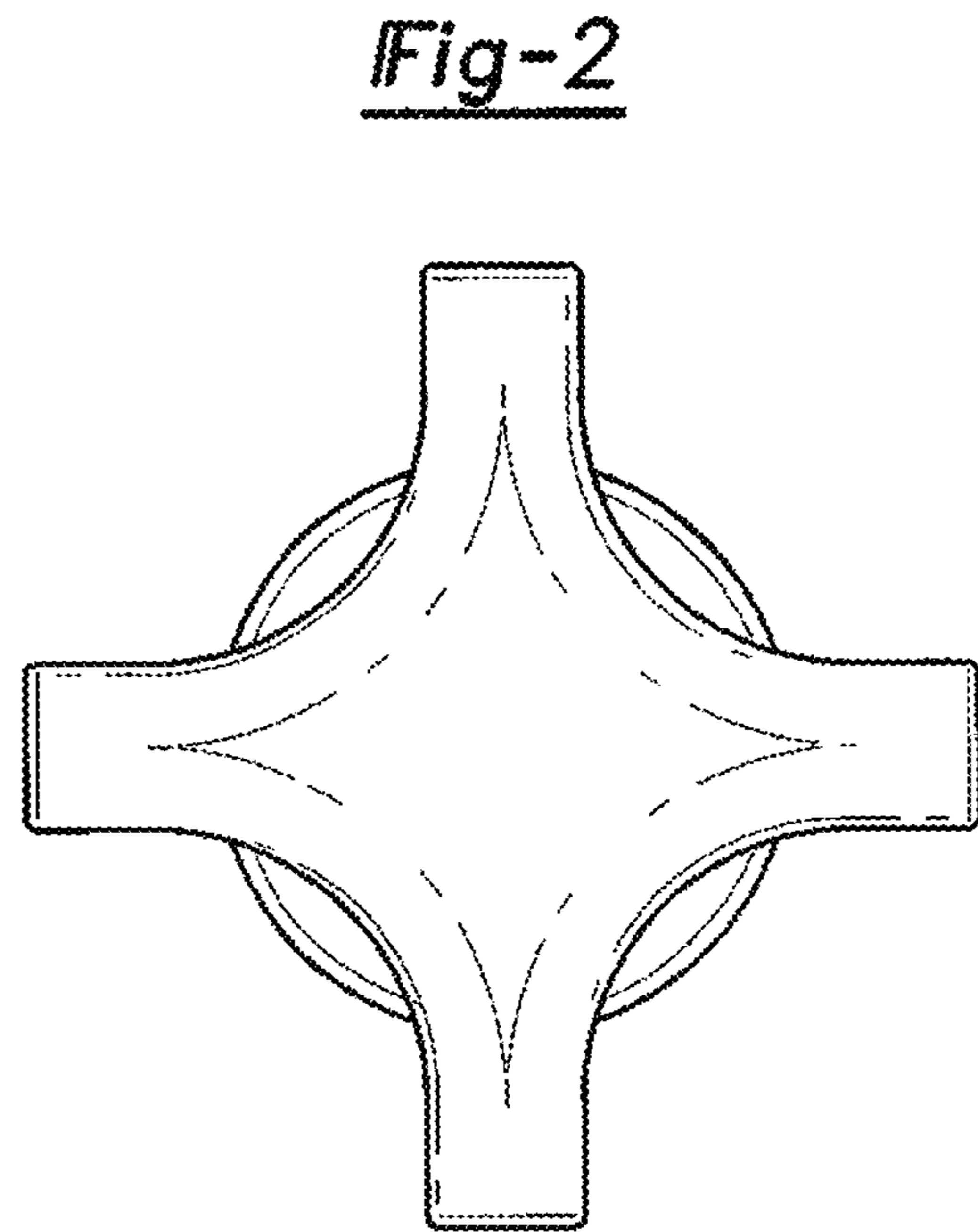


Fig-2

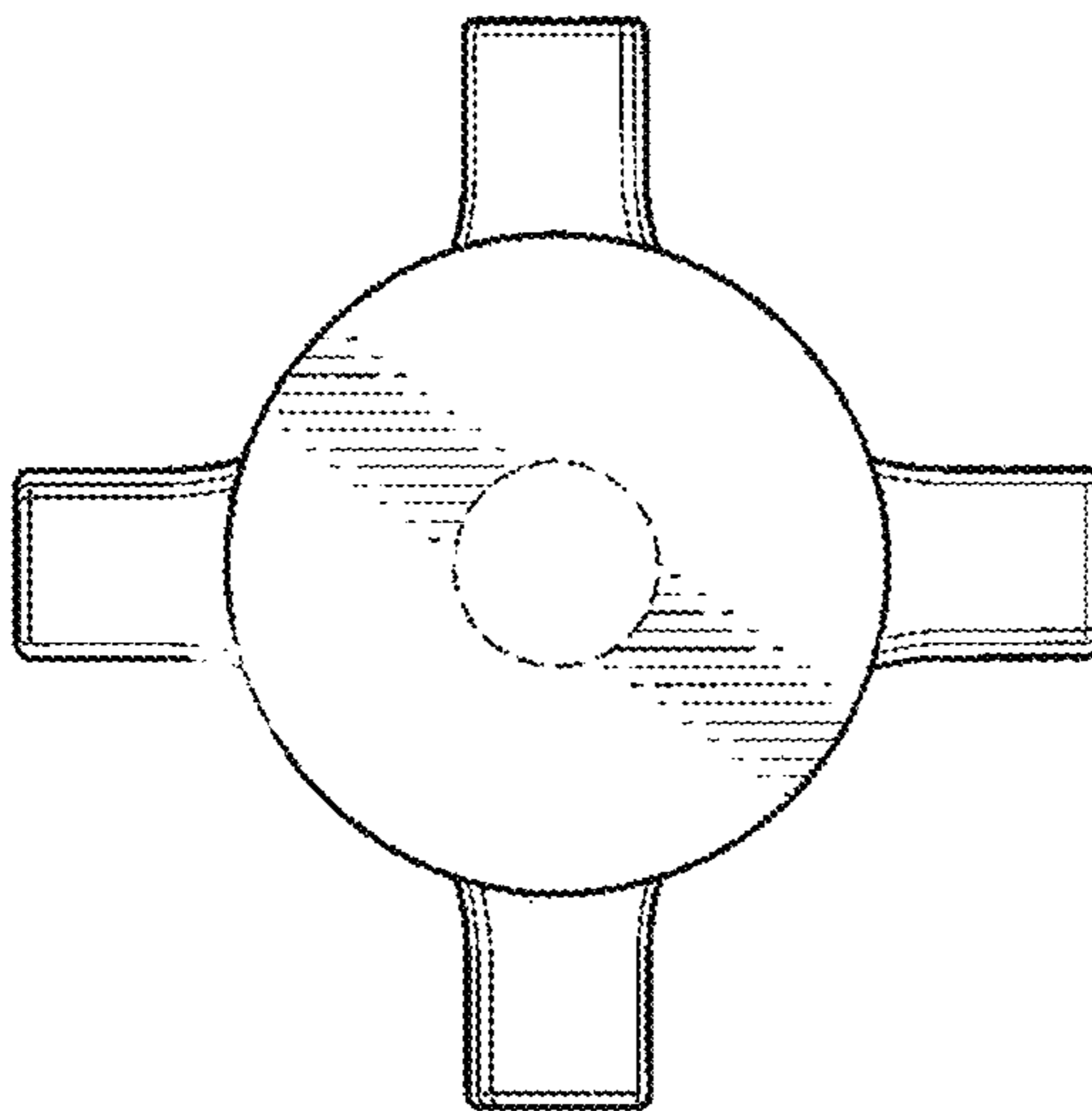


Fig-4

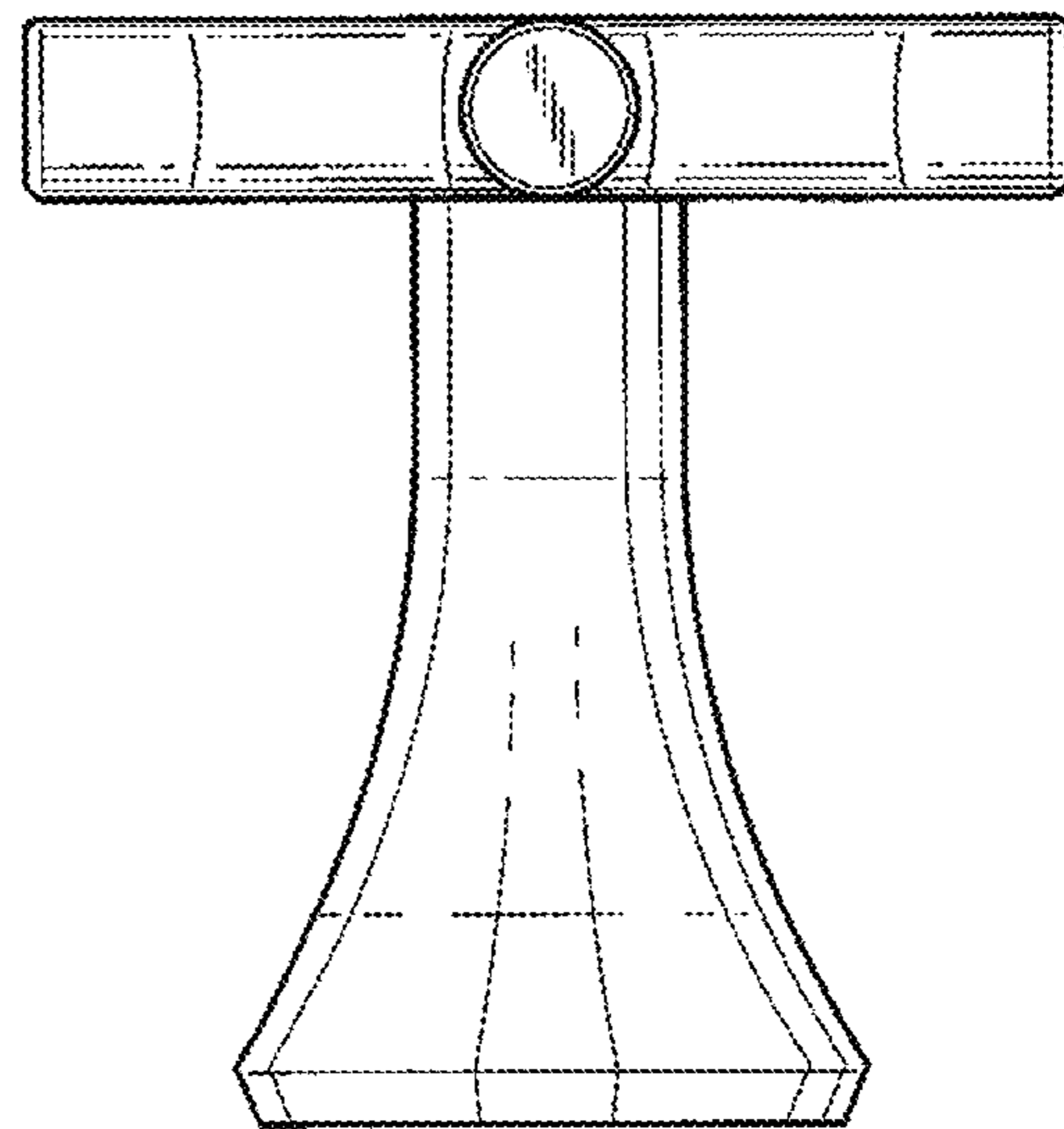


Fig-3