



US00D811545S

(12) **United States Design Patent**  
**Garland**

(10) **Patent No.:** **US D811,545 S**

(45) **Date of Patent:** **\*\* Feb. 27, 2018**

(54) **FAUCET HANDLE**

(71) Applicant: **DELTA FAUCET COMPANY,**  
Indianapolis, IN (US)

(72) Inventor: **Celine Kwok Garland,** Zionsville, IN  
(US)

(73) Assignee: **DELTA FAUCET COMPANY,**  
Indianapolis, IN (US)

(\*\*) Term: **15 Years**

(21) Appl. No.: **29/595,264**

(22) Filed: **Feb. 27, 2017**

(51) **LOC (11) Cl.** ..... **23-01**

(52) **U.S. Cl.**  
USPC ..... **D23/252**

(58) **Field of Classification Search**  
USPC ..... D23/238-243, 249-250, 252, 254;  
D8/307-308  
CPC ..... Y10T 137/9464  
See application file for complete search history.

(56) **References Cited**

U.S. PATENT DOCUMENTS

D466,987 S	*	12/2002	Smith	.....	D23/253
D524,918 S	*	7/2006	Barry	.....	D23/254
D648,829 S	*	11/2011	Gao	.....	D23/252
D734,122 S	*	7/2015	Hsu	.....	D8/308

D754,823 S	*	4/2016	Garland	.....	D23/252
D757,908 S	*	5/2016	Fritz	.....	D23/252
D785,436 S	*	5/2017	Carlino	.....	D8/308
D800,268 S	*	10/2017	Garland	.....	D23/252
D800,269 S	*	10/2017	Garland	.....	D23/252

\* cited by examiner

*Primary Examiner* — Robert A Delehanty

(74) *Attorney, Agent, or Firm* — Edgar A. Zarins; Nirav D. Parikh

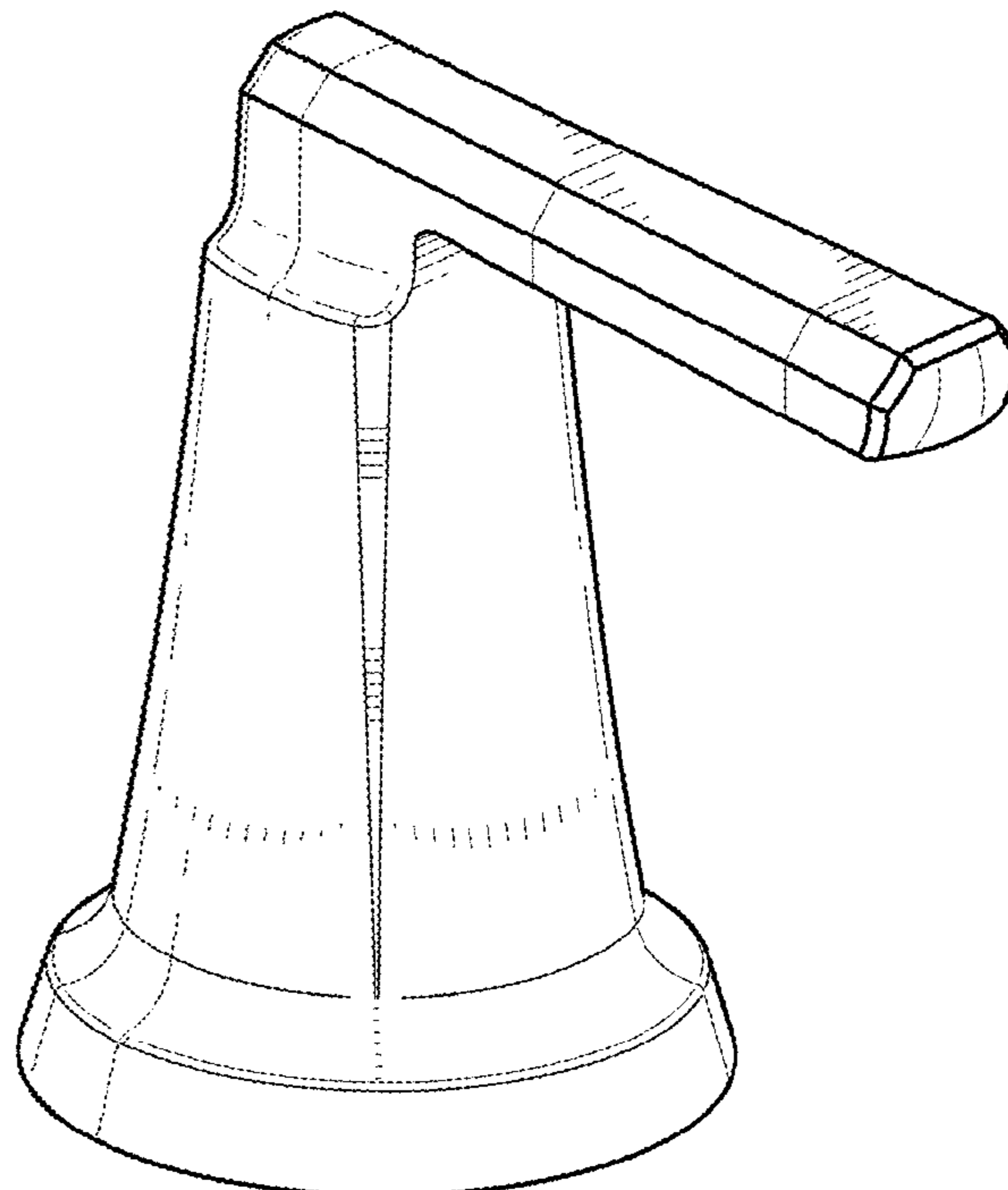
(57) **CLAIM**

The ornamental design for a faucet handle, as shown and described.

**DESCRIPTION**

FIG. 1 is a perspective view of a faucet handle showing my new design;  
 FIG. 2 is a first side view thereof, the opposite side being a mirror image of the side shown;  
 FIG. 3 is a top plan view thereof;  
 FIG. 4 is a bottom view thereof;  
 FIG. 5 is a first end view thereof;  
 FIG. 6 is a second end view thereof;  
 FIG. 7 is a perspective view of a second embodiment thereof;  
 FIG. 8 is a top plan view thereof;  
 FIG. 9 is a first side view thereof, the opposite side being a mirror image of the side shown;  
 FIG. 10 is a bottom view thereof;  
 FIG. 11 is a first end view thereof; and,  
 FIG. 12 is a second end view thereof.

**1 Claim, 4 Drawing Sheets**



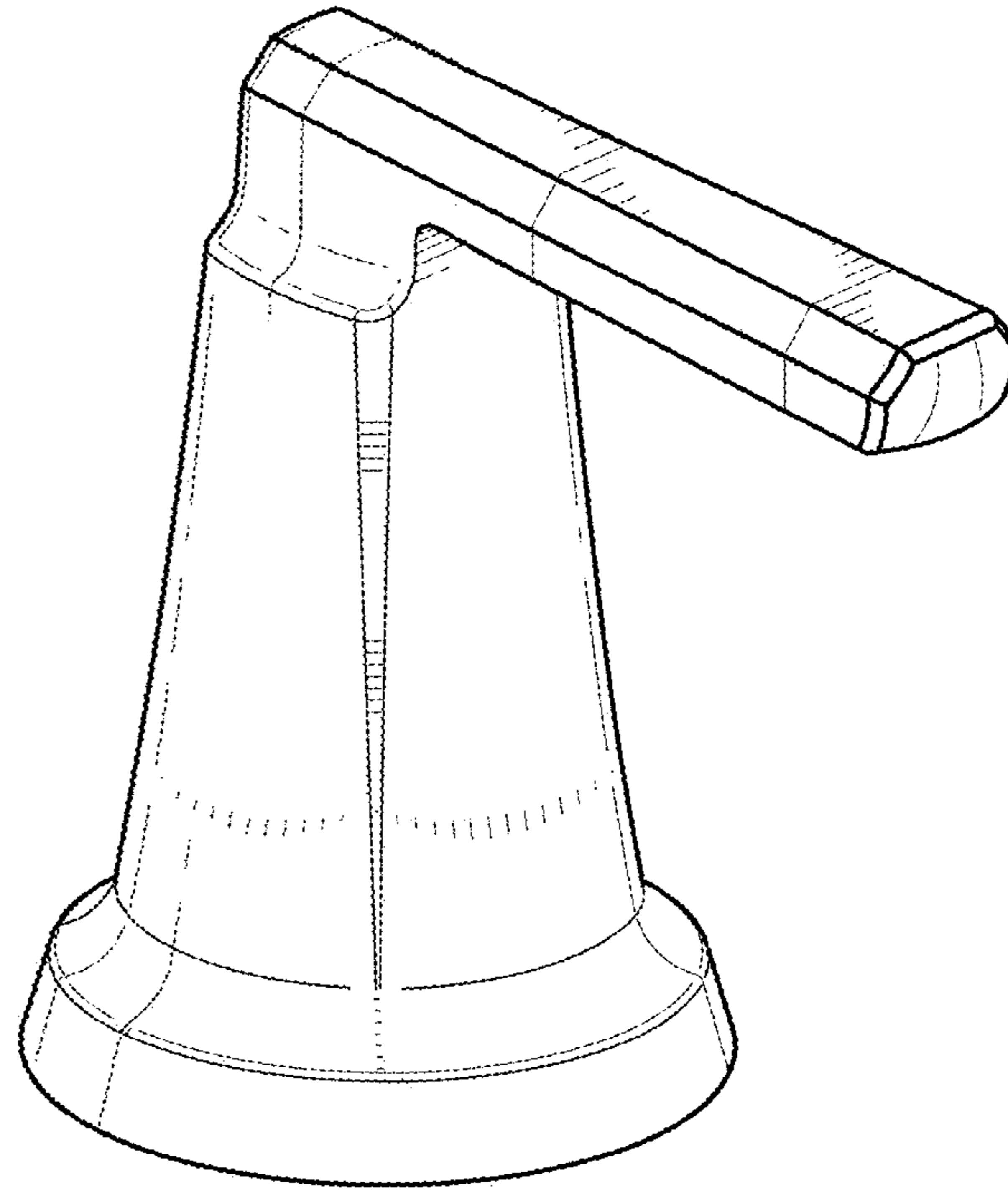


Fig-1

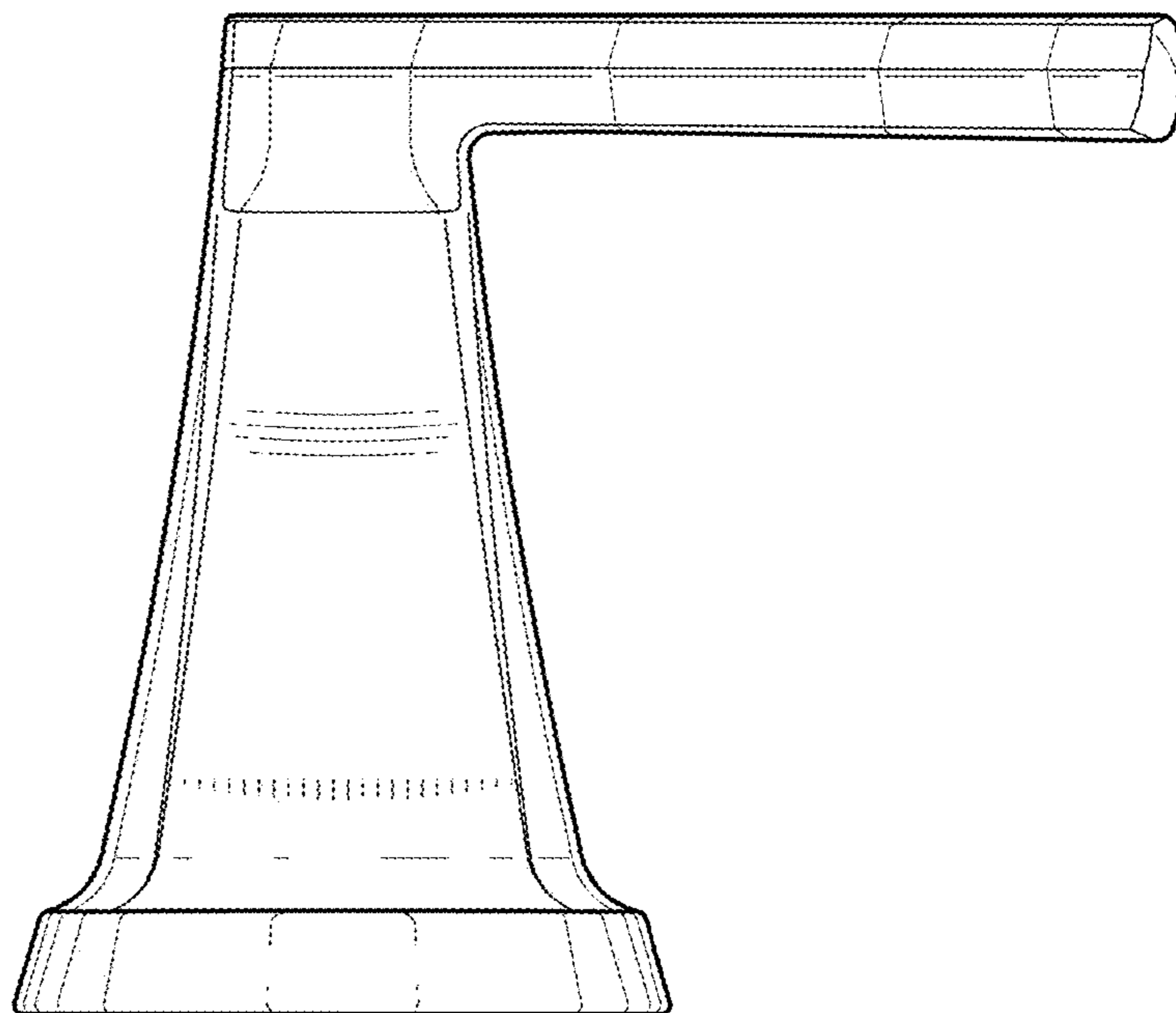
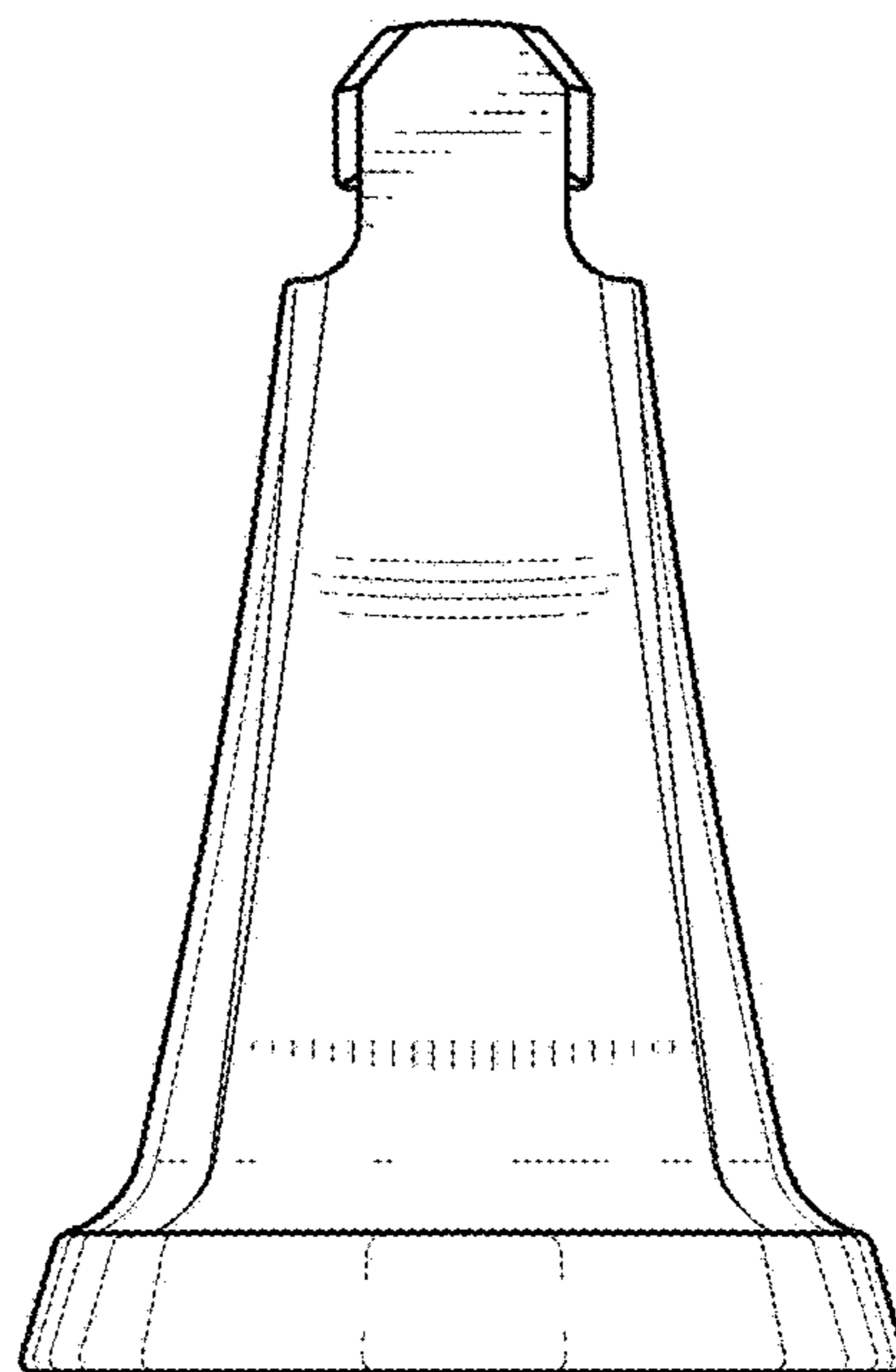
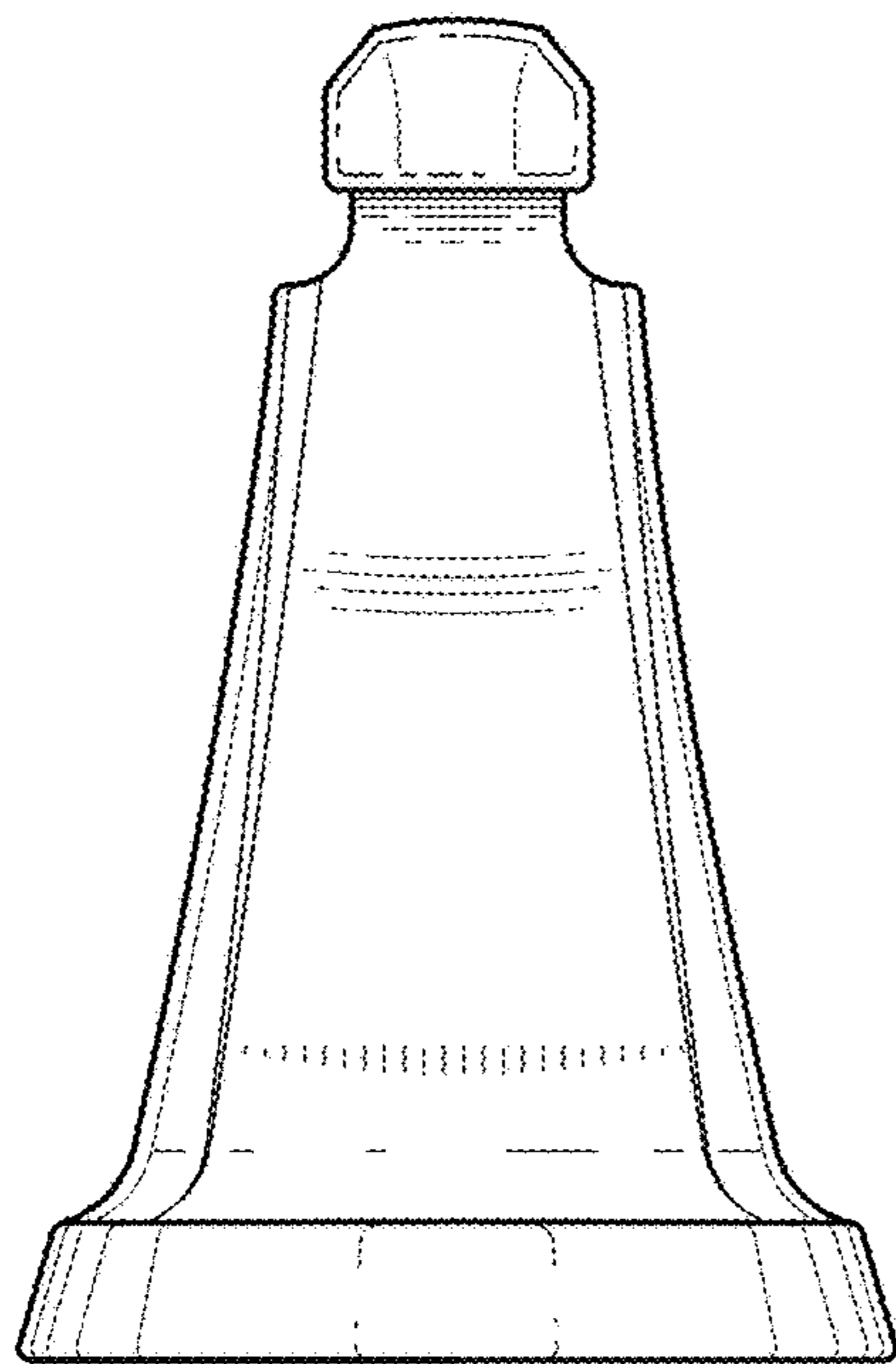
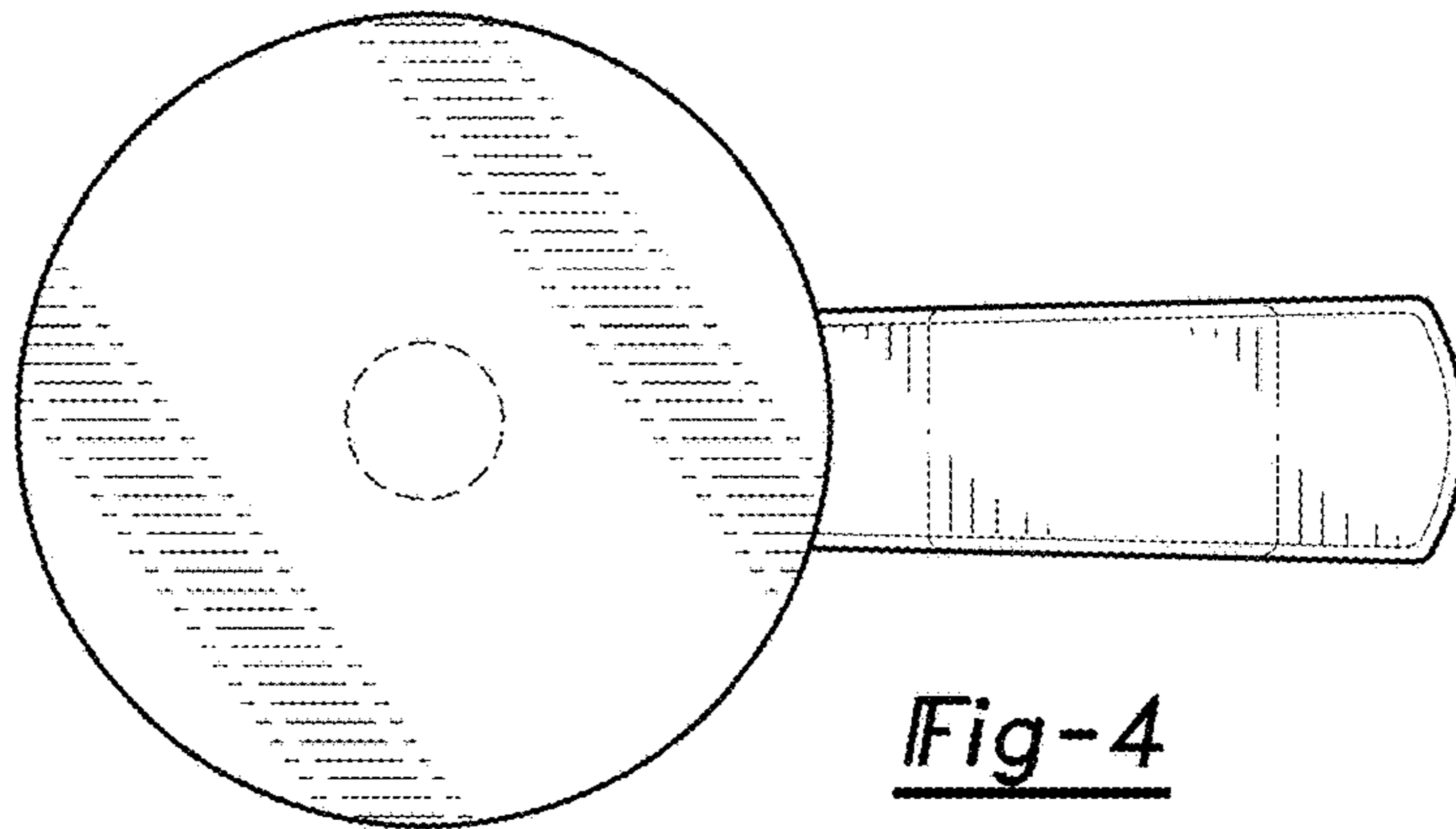
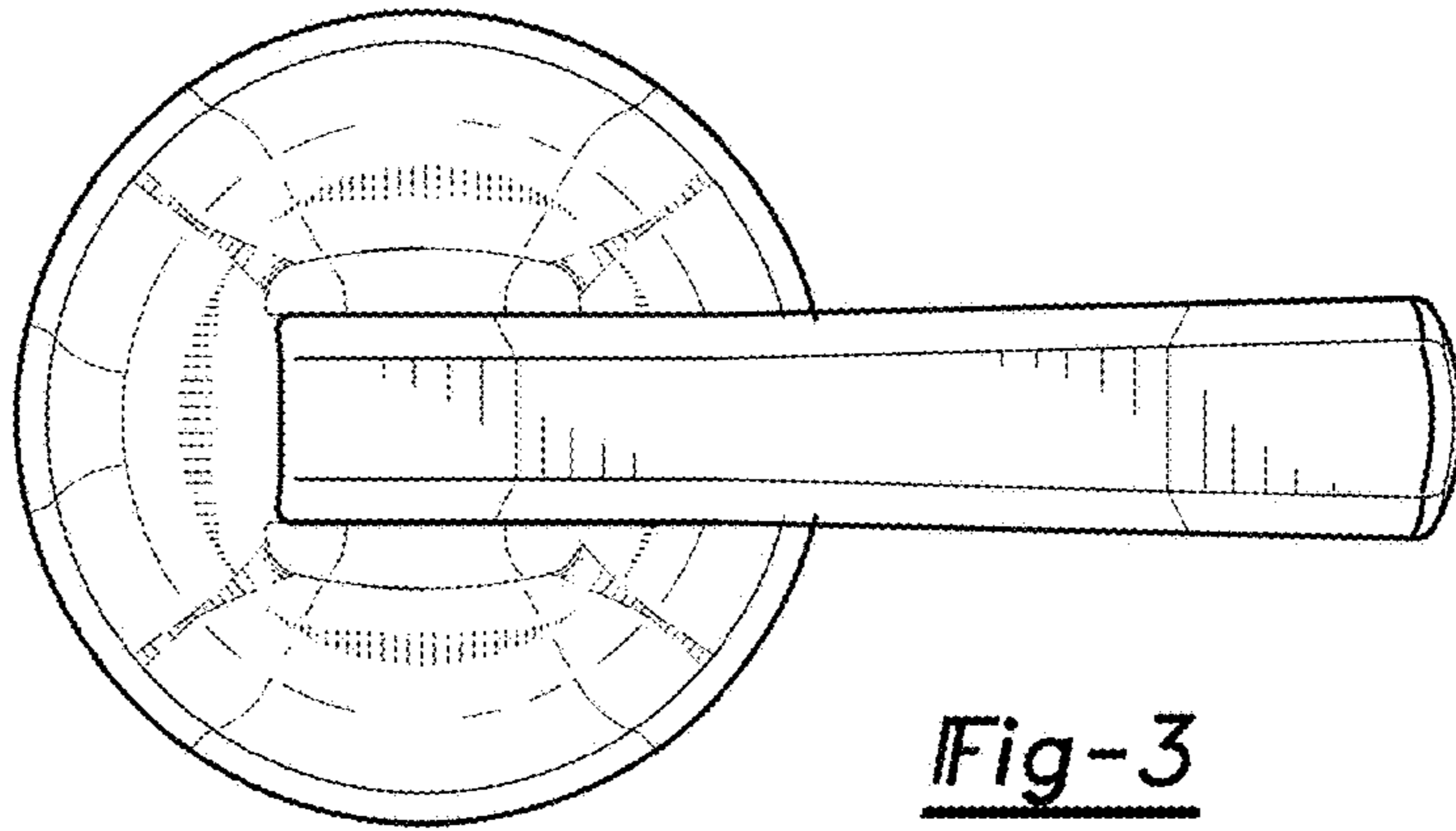


Fig-2



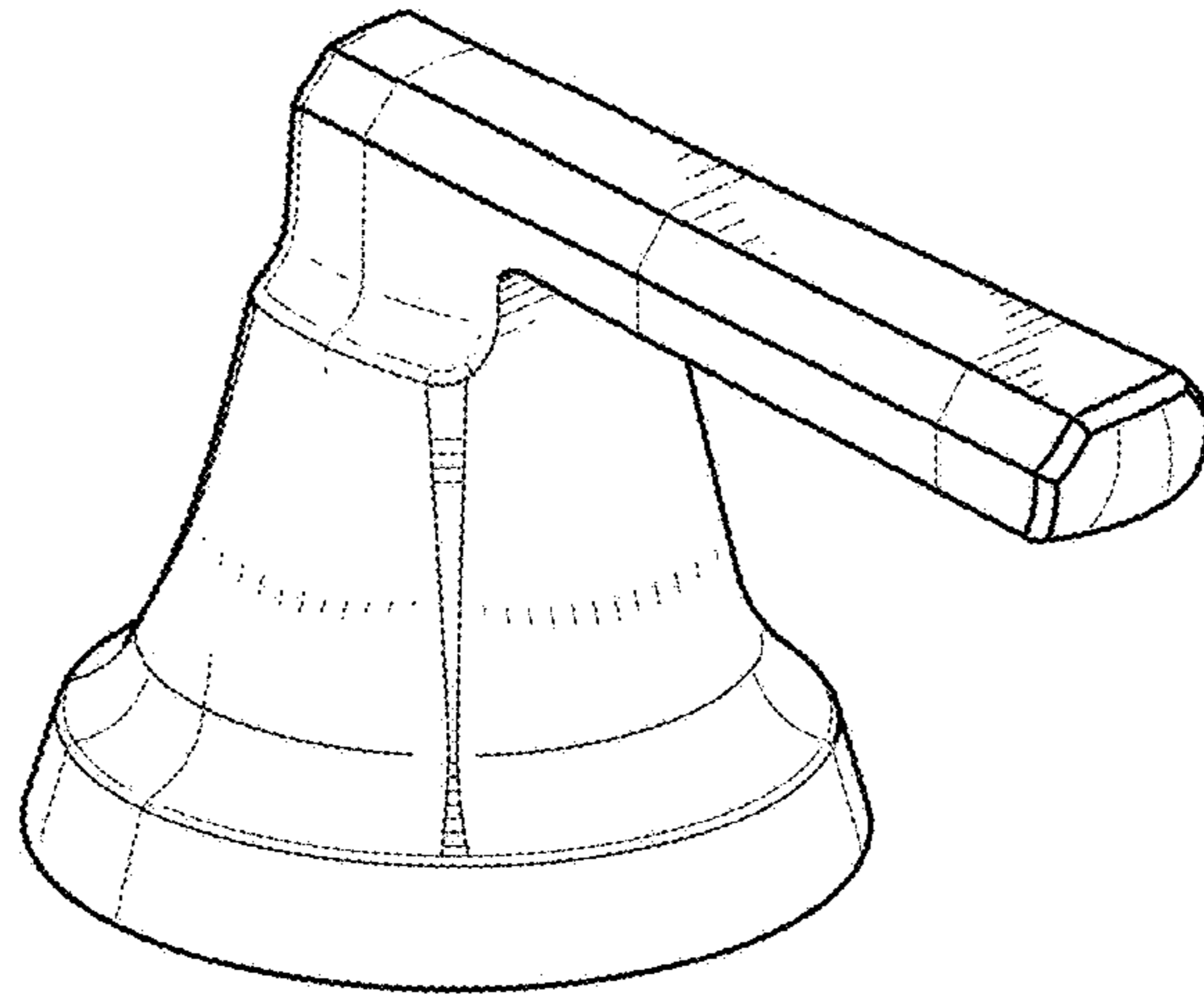


Fig-7

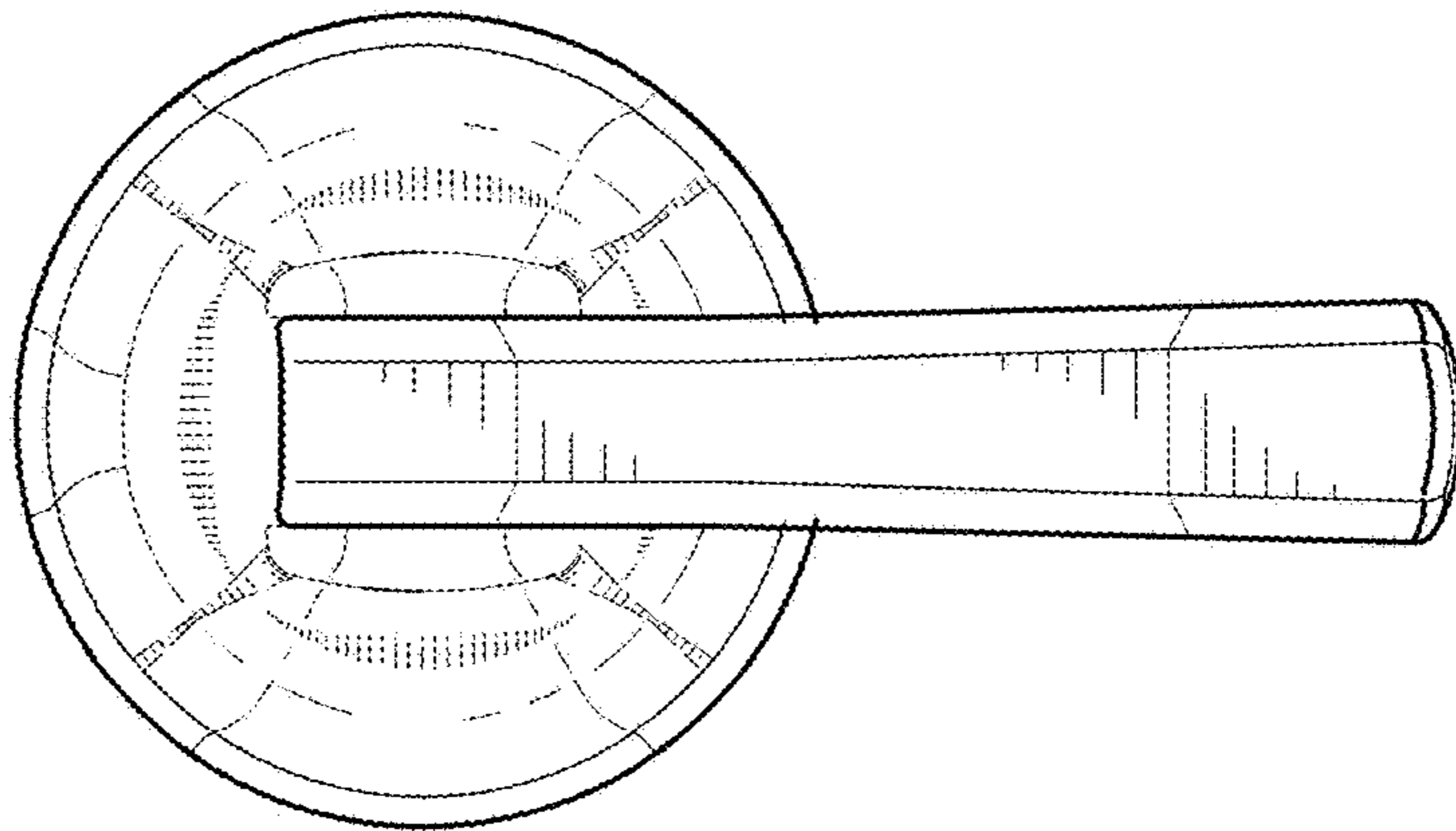


Fig-8

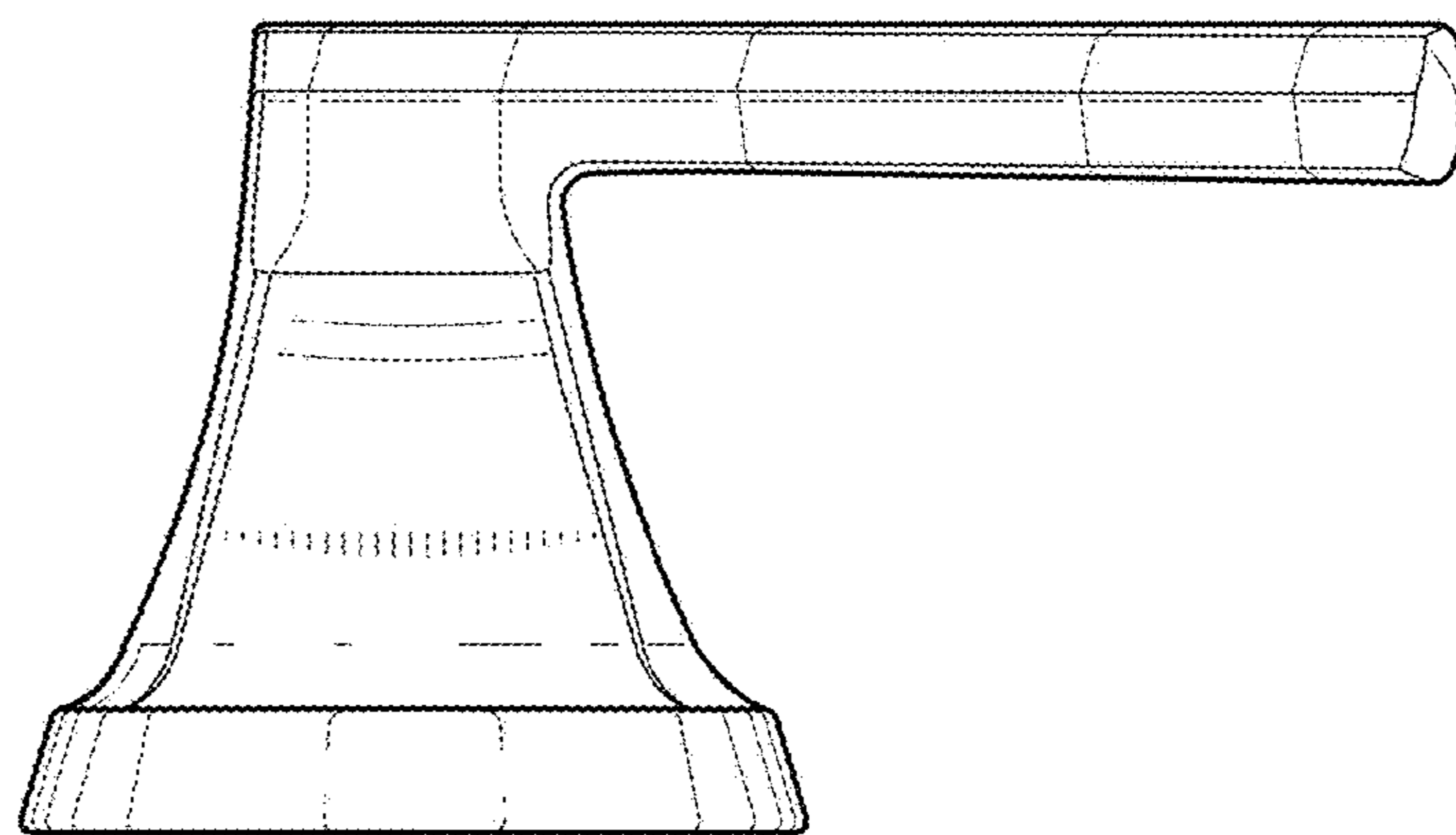


Fig-9

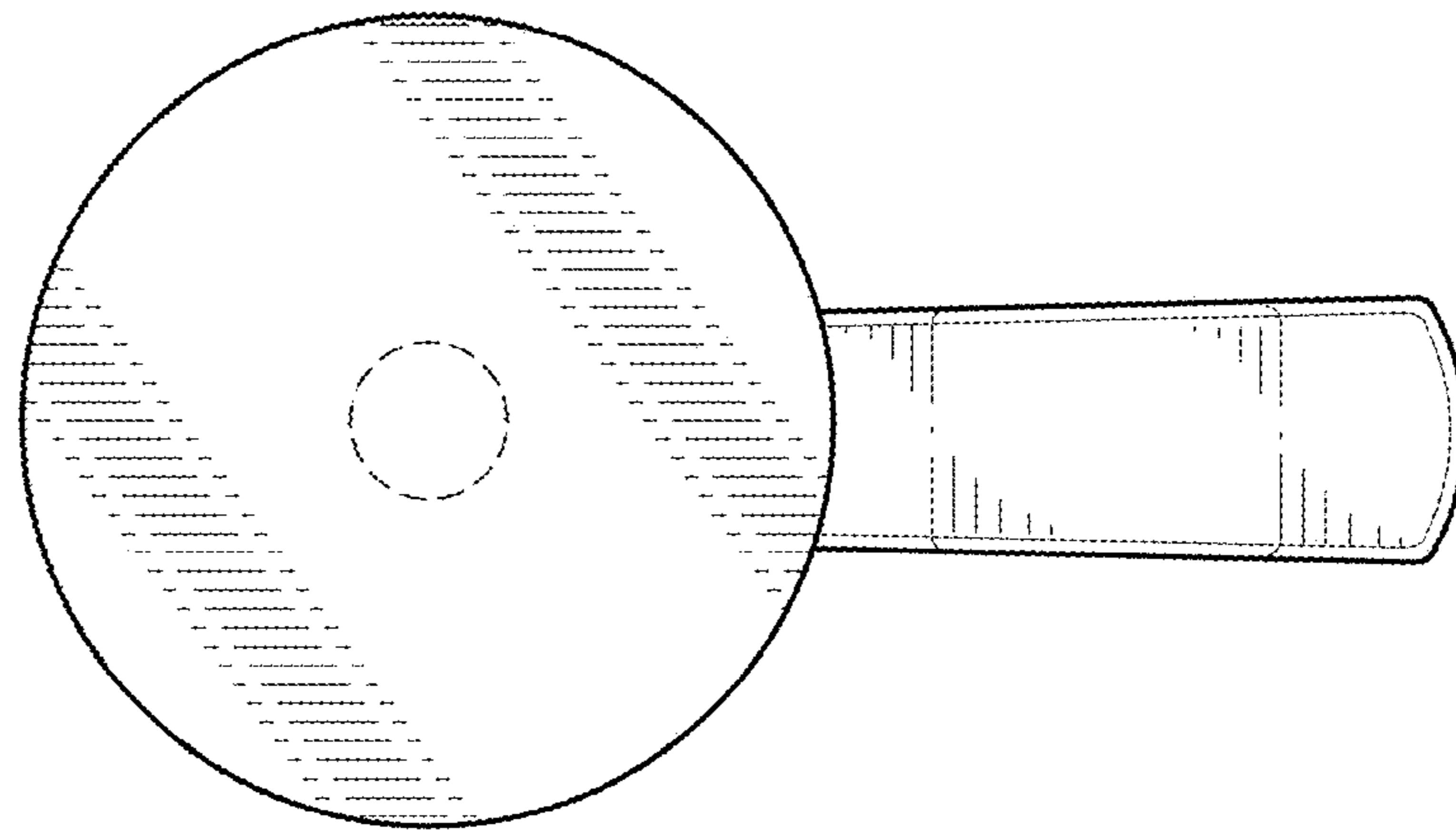


Fig-10

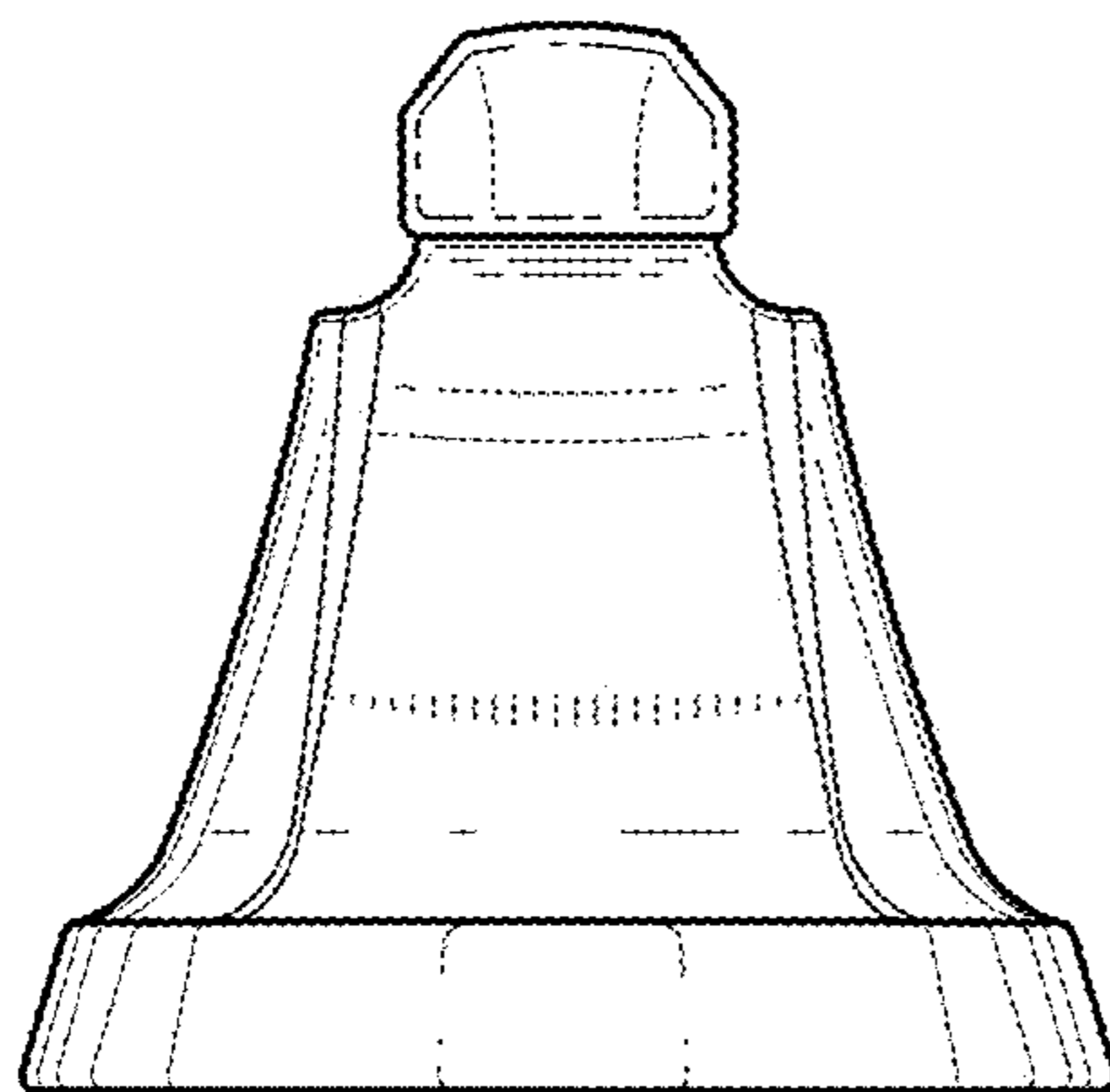


Fig-11

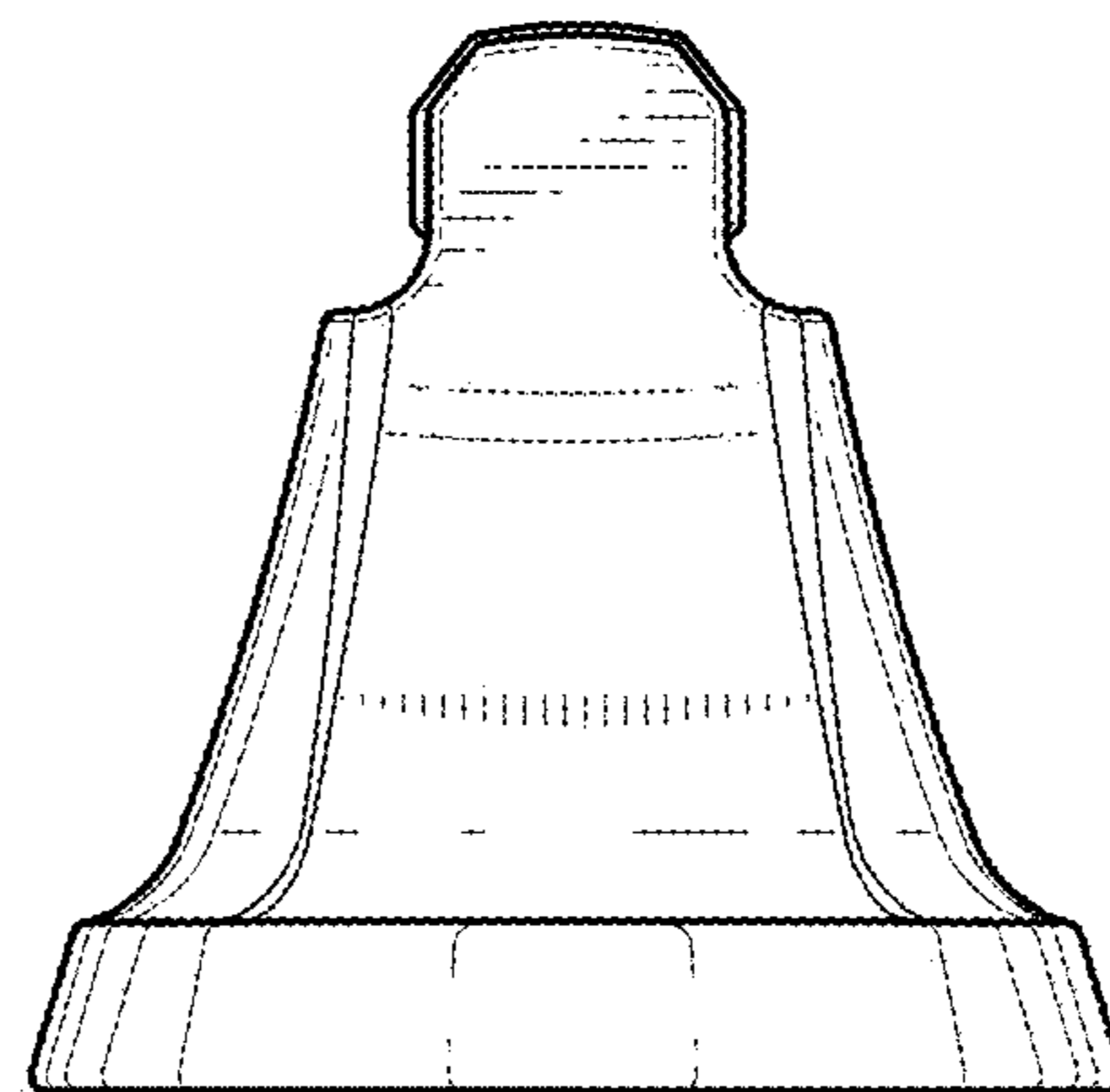


Fig-12