



US00D811544S

(12) **United States Design Patent** (10) **Patent No.:** **US D811,544 S**
Takayama et al. (45) **Date of Patent:** **** Feb. 27, 2018**

(54) **FAUCET HANDLE LEVER**

(56) **References Cited**

(71) Applicant: **TOTO, Ltd.**, Kitakyushu-shi, Fukuoka (JP)

U.S. PATENT DOCUMENTS

(72) Inventors: **Shogo Takayama**, Kitakyushu (JP);
Atsushi Toyohara, Kitakyushu (JP);
Yusuke Takiguchi, Kitakyushu (JP);
Keishi Tomiya, Kitakyushu (JP); **Rina Ogata**, Kitakyushu (JP)

D484,574 S *	12/2003	Spangler	D23/252
D636,853 S *	4/2011	Yu	D23/238
D685,882 S *	7/2013	Garland	D23/252
D713,506 S *	9/2014	Fritz	D23/238
D720,432 S *	12/2014	Hundley	D23/252
D734,122 S *	7/2015	Hsu	D8/308
D787,022 S *	5/2017	Lopez	D23/254

* cited by examiner

(73) Assignee: **TOTO, Ltd.**, Kitakyushu-shi, Fukuoka (JP)

Primary Examiner — Robert A Delehanty
(74) *Attorney, Agent, or Firm* — Banner & Witcoff, Ltd.

(**) Term: **15 Years**

(57) **CLAIM**

The ornamental design for a faucet handle lever, as shown and described.

(21) Appl. No.: **29/589,257**

DESCRIPTION

(22) Filed: **Dec. 29, 2016**

FIG. 1 is a perspective view of a faucet handle lever showing our new design;
FIG. 2 is a front view thereof;
FIG. 3 is a rear view thereof;
FIG. 4 is a left side view thereof;
FIG. 5 is a right side view thereof;
FIG. 6 is a top view thereof; and,
FIG. 7 is a bottom view thereof.

(51) **LOC (11) Cl.** **23-01**

(52) **U.S. Cl.**
USPC **D23/252**

(58) **Field of Classification Search**
USPC D23/238, 241–243, 249–250, 252, 254;
D8/307–308
CPC Y10T 137/9464

See application file for complete search history.

1 Claim, 3 Drawing Sheets





FIG. 1

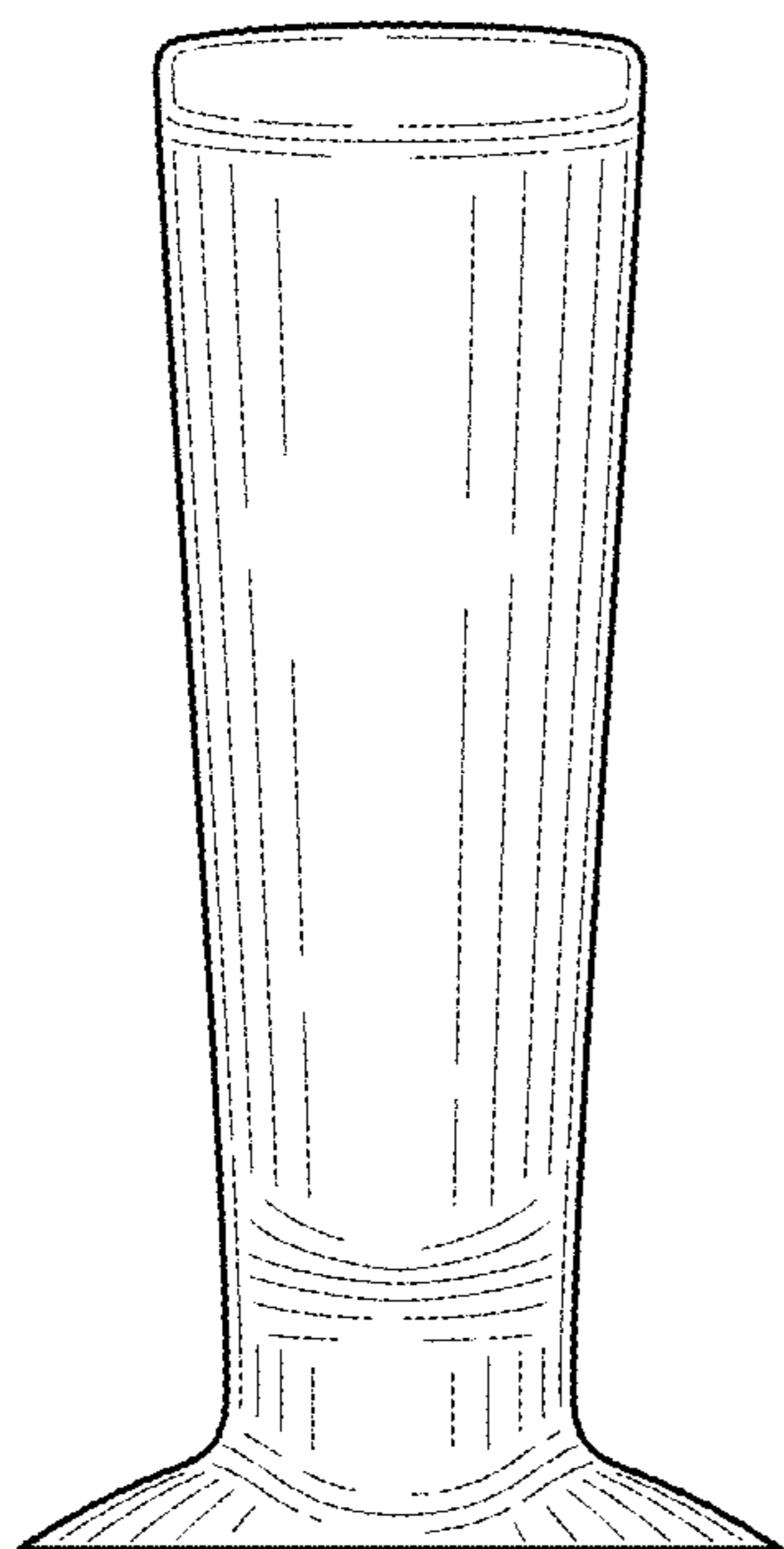


FIG. 2

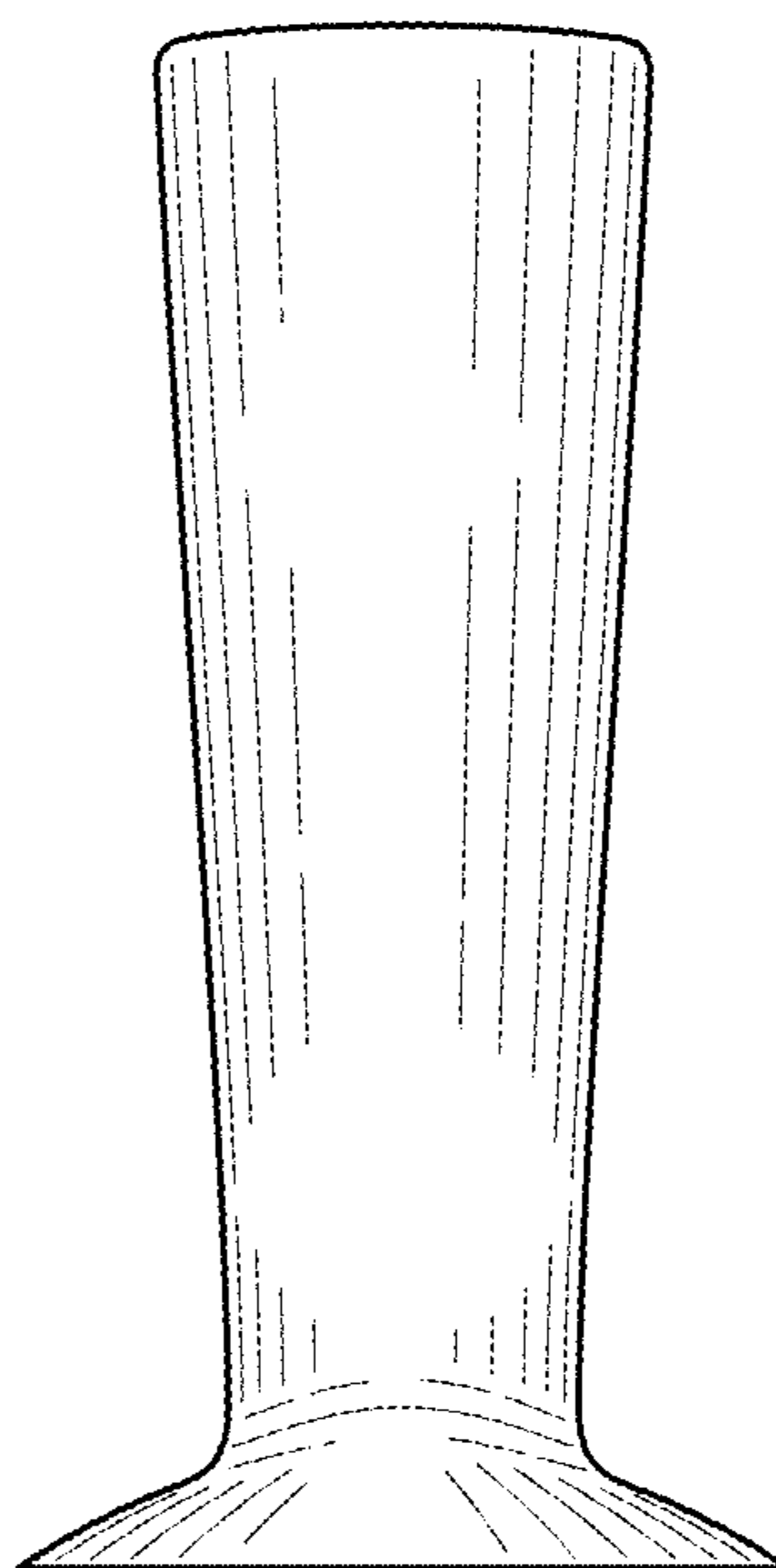


FIG. 3

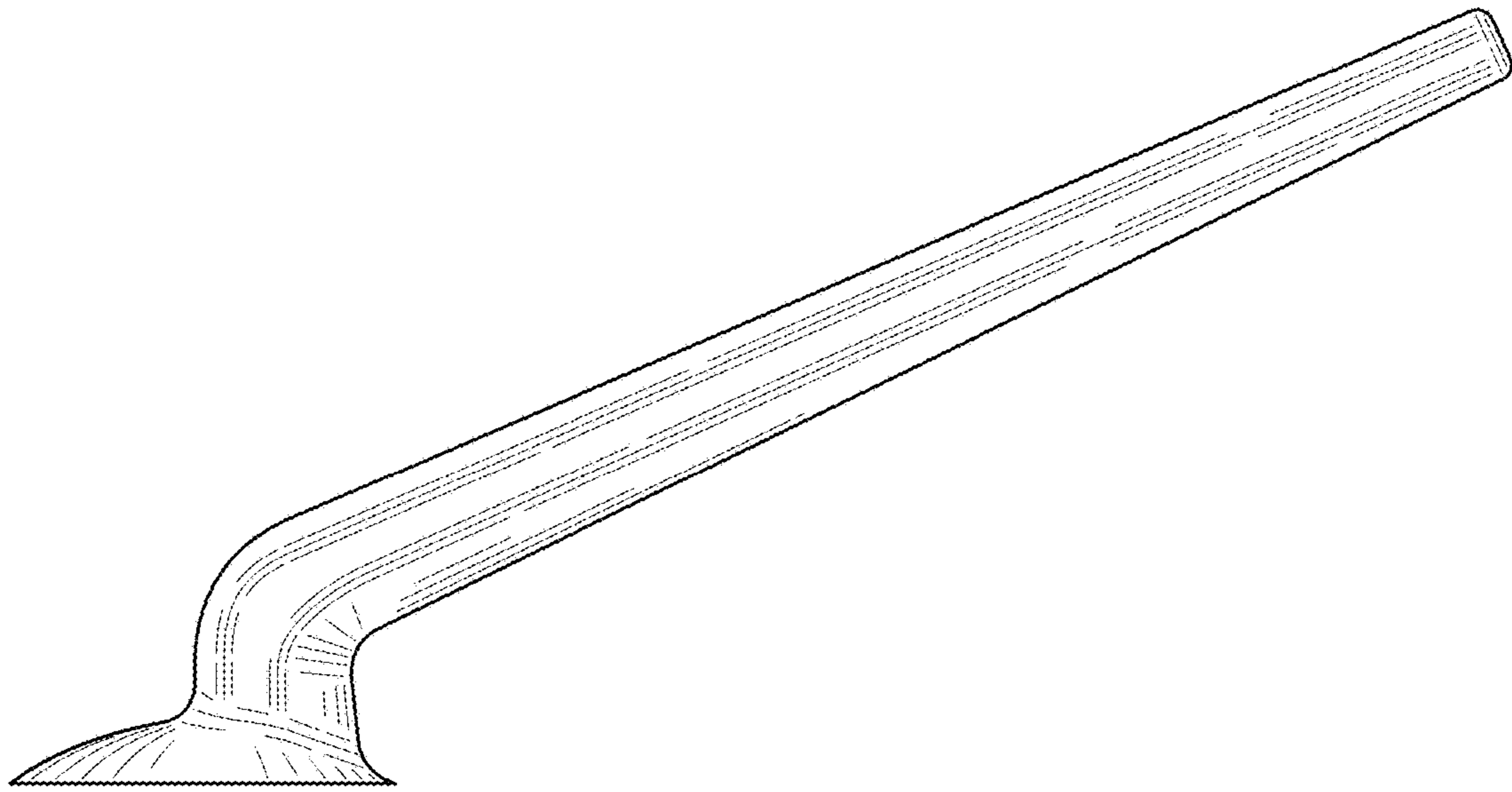


FIG. 4

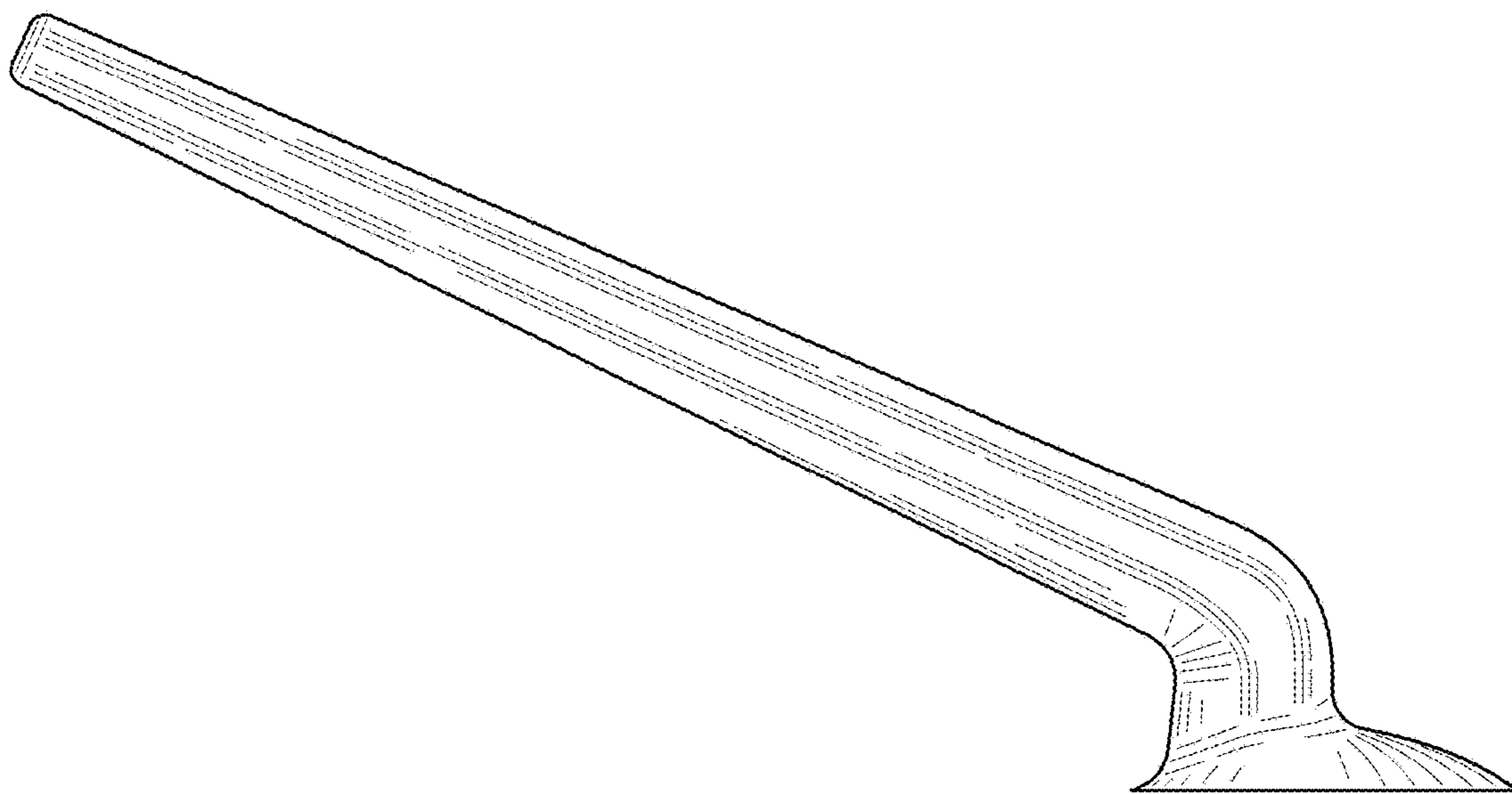


FIG. 5

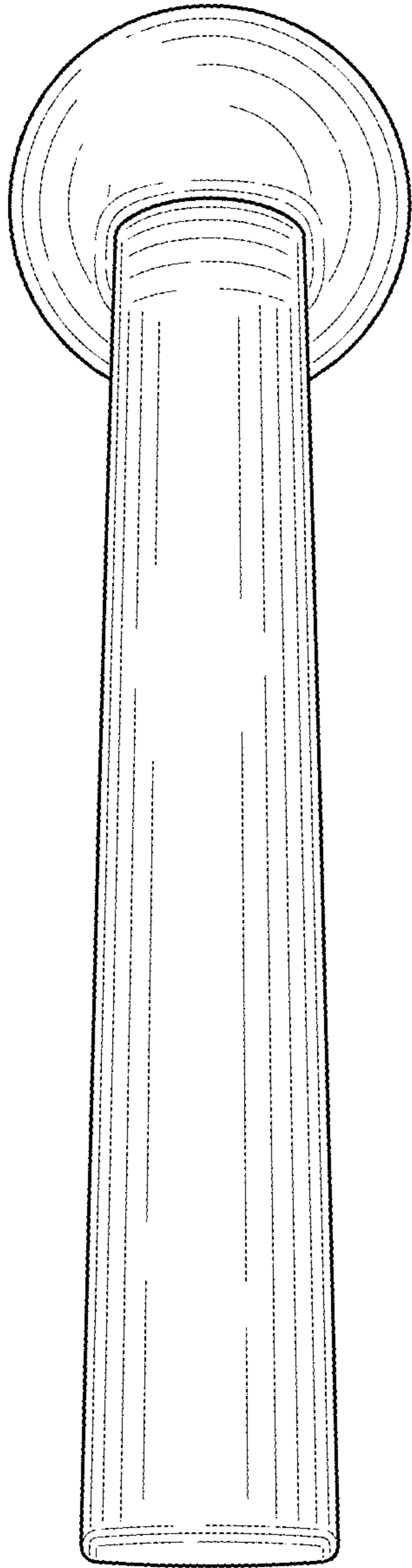


FIG. 6

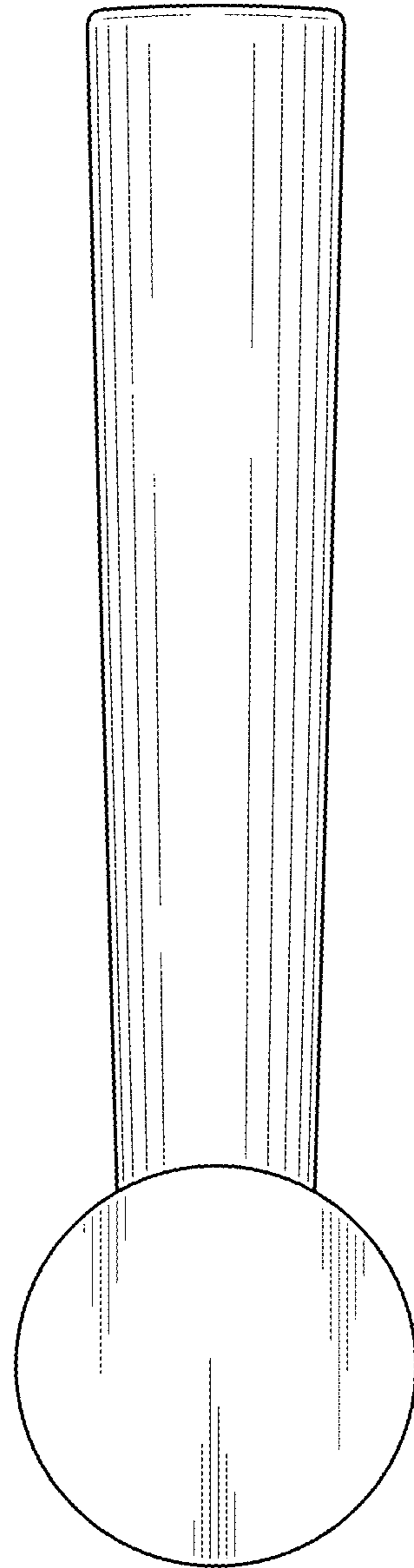


FIG. 7