



US00D811543S

(12) **United States Design Patent**
Bennett

(10) **Patent No.:** **US D811,543 S**

(45) **Date of Patent:** **** Feb. 27, 2018**

(54) **FAUCET HANDLE**

D666,277 S * 8/2012 Schaefer D23/252
D754,823 S * 4/2016 Garland D23/252

(71) Applicant: **DELTA FAUCET COMPANY,**
Indianapolis, IN (US)

* cited by examiner

(72) Inventor: **Samantha Bennett,** Bayou Vista, TX
(US)

Primary Examiner — Robert A Delehanty

(74) *Attorney, Agent, or Firm* — Edgar A. Zarins; Nirav
D. Parikh

(73) Assignee: **DELTA FAUCET COMPANY,**
Indianapolis, IN (US)

(**) Term: **15 Years**

(57) **CLAIM**

(21) Appl. No.: **29/588,654**

The ornamental design for a faucet handle, as shown and
described.

(22) Filed: **Dec. 22, 2016**

(51) **LOC (11) Cl.** **23-01**

(52) **U.S. Cl.**
USPC **D23/252**

DESCRIPTION

(58) **Field of Classification Search**
USPC D23/238, 241–243, 249–250, 252, 254;
D8/307–308
CPC Y10T 137/9464
See application file for complete search history.

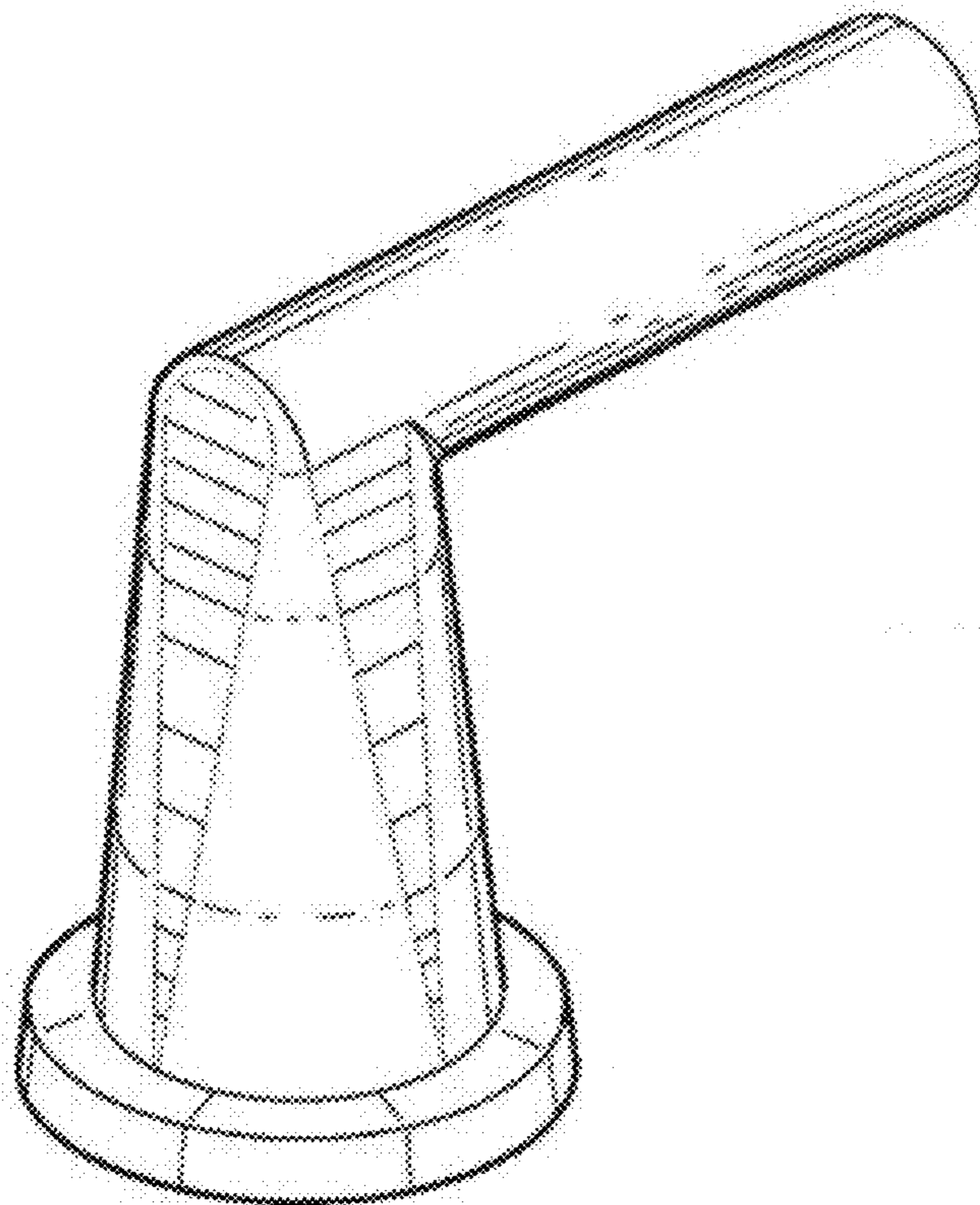
FIG. 1 is a perspective view of a faucet handle showing my
new design;
FIG. 2 is a top plan view thereof;
FIG. 3 is a first side view thereof, the opposite side being a
mirror image of the side shown;
FIG. 4 is a first end view thereof;
FIG. 5 is a second end view thereof; and,
FIG. 6 is a bottom view thereof.

(56) **References Cited**

U.S. PATENT DOCUMENTS

D634,815 S * 3/2011 Barry D23/252
D648,829 S * 11/2011 Gao D23/252

1 Claim, 1 Drawing Sheet



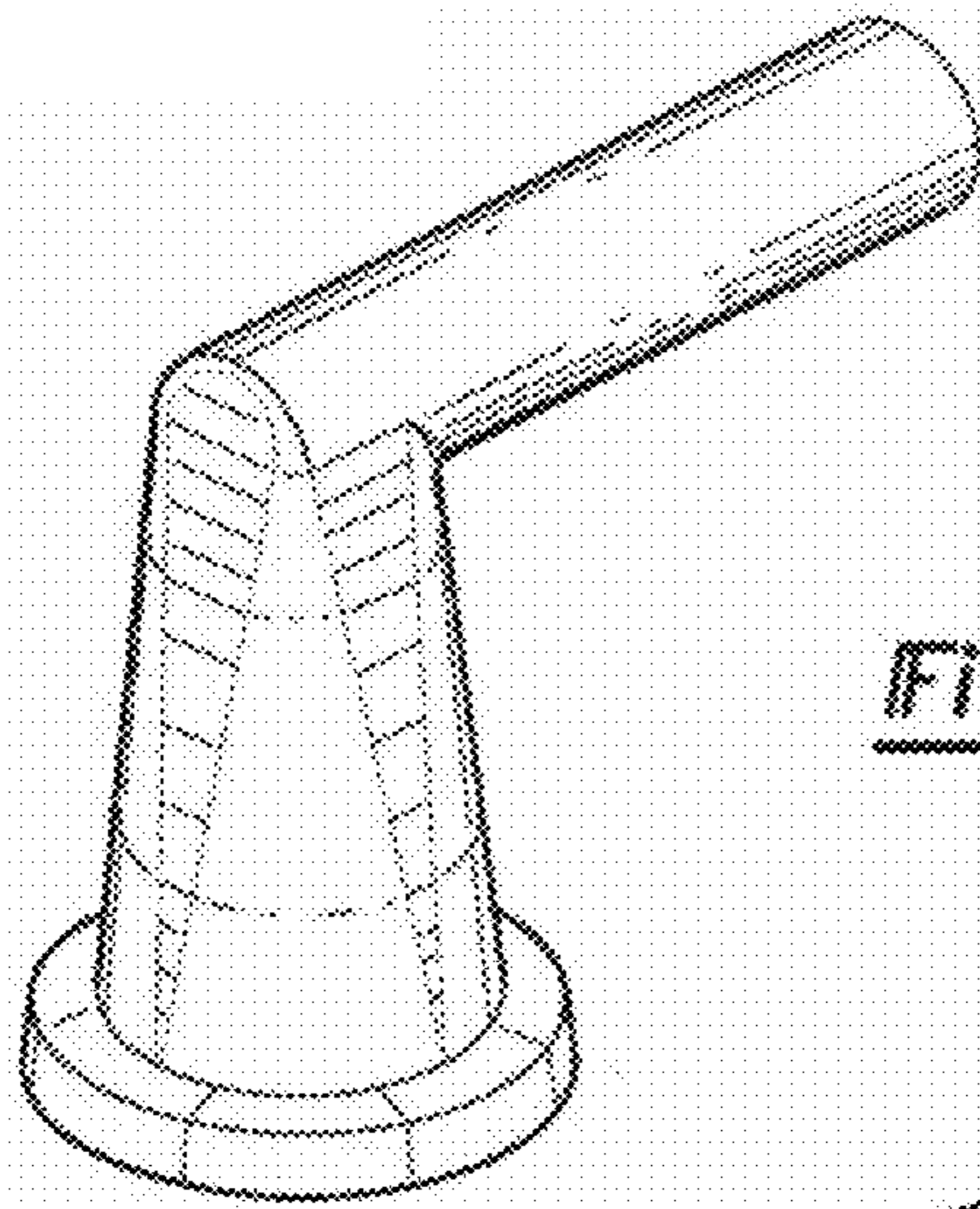


Fig-1

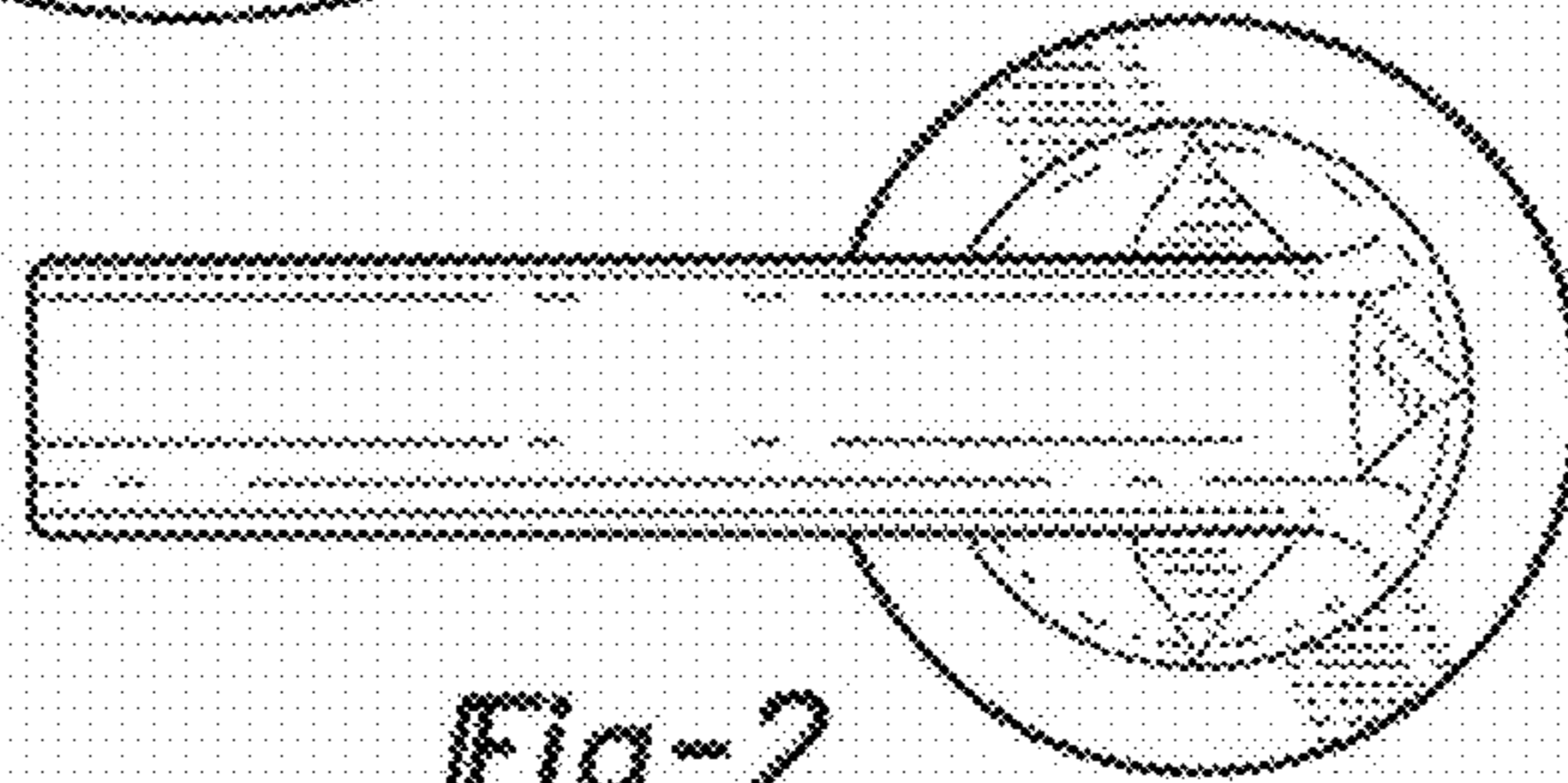


Fig-2

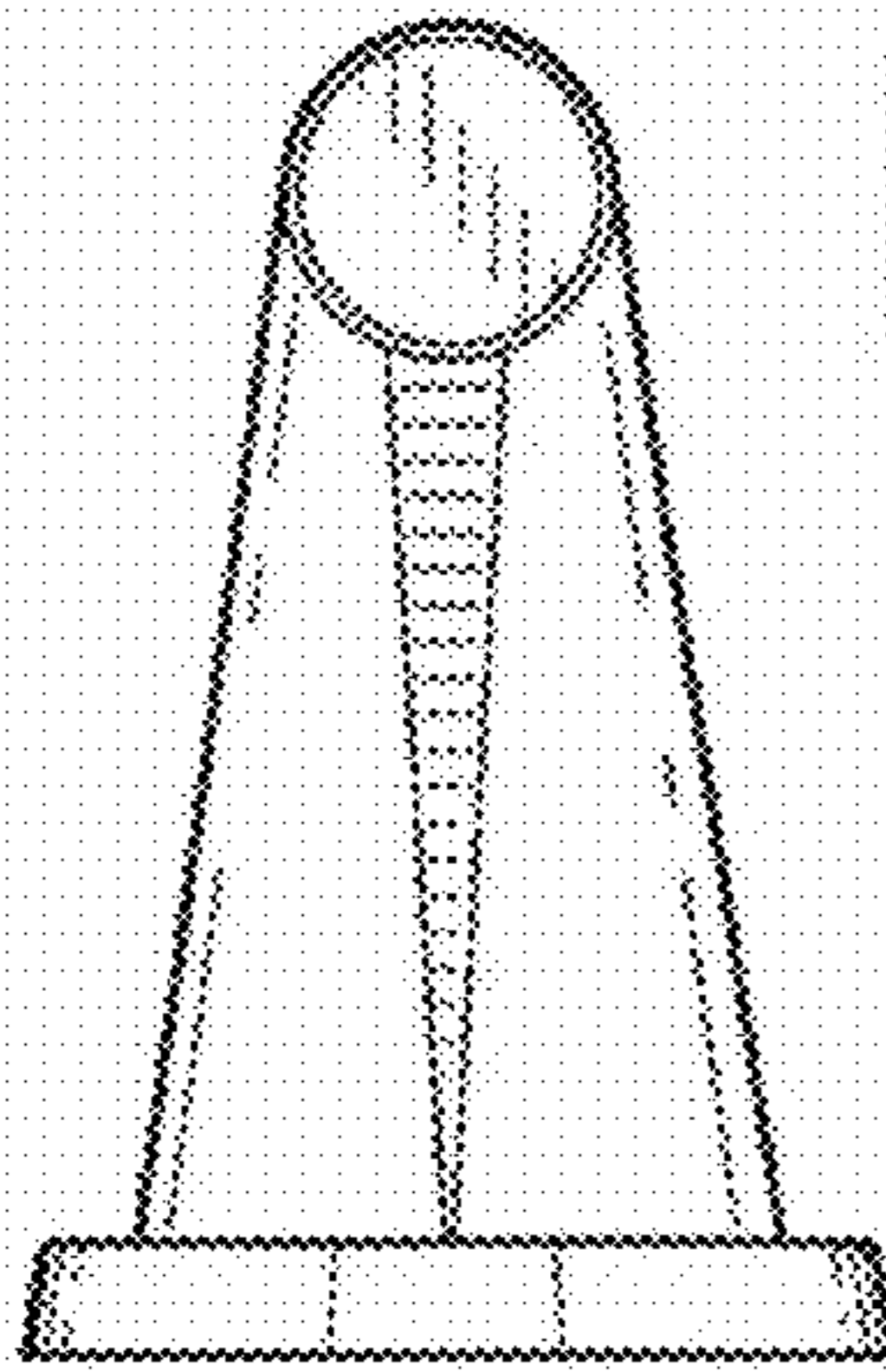


Fig-4

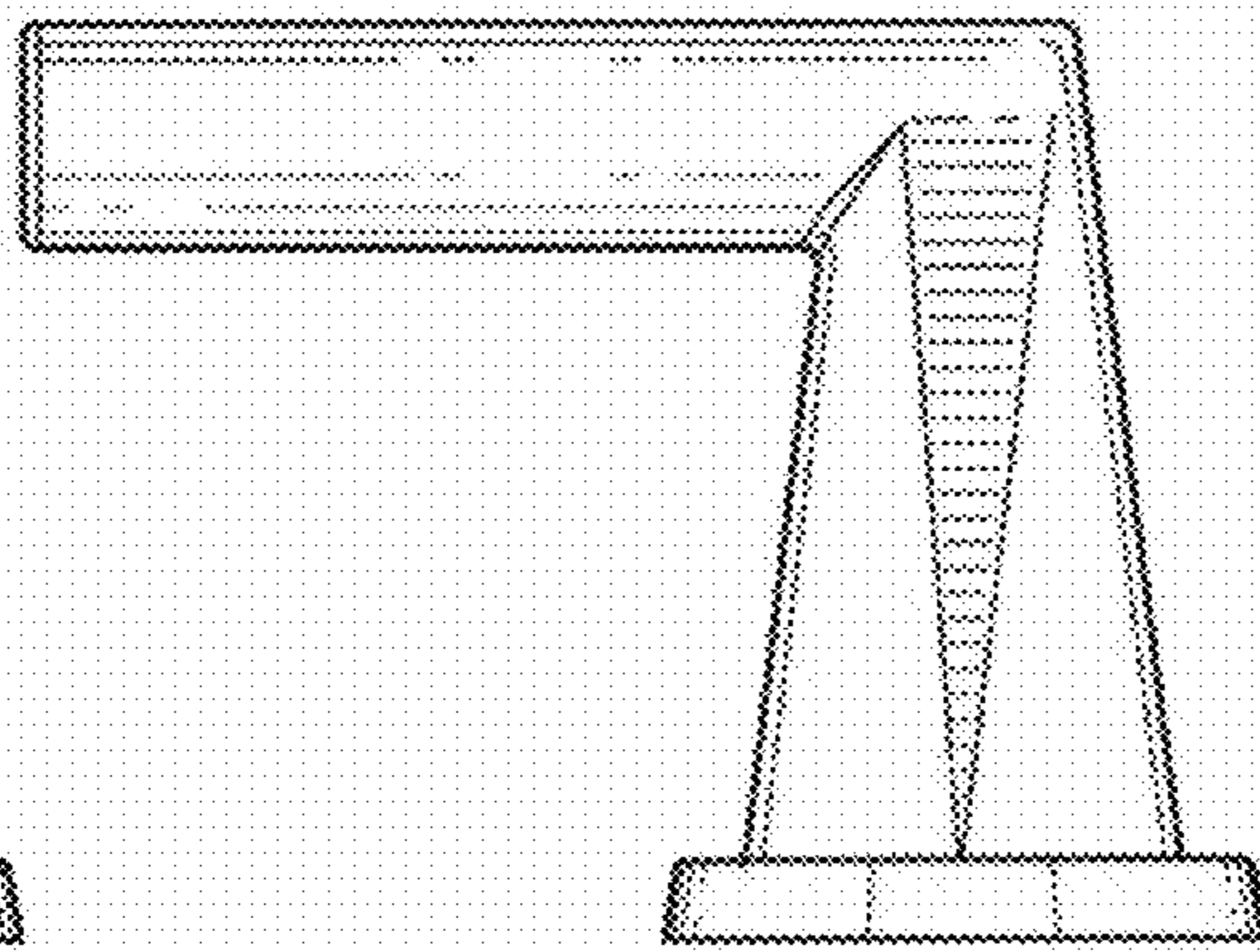


Fig-3

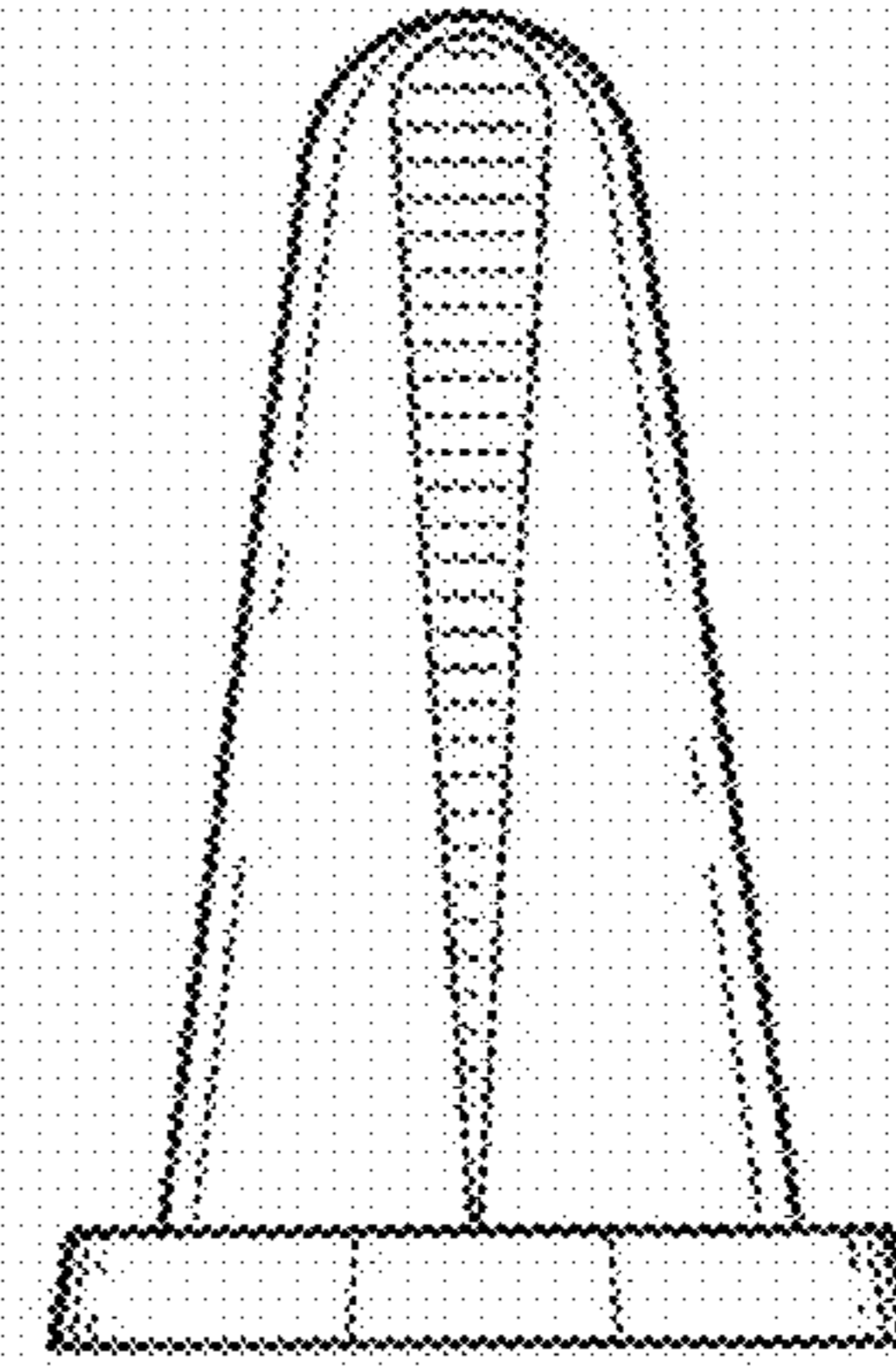


Fig-5

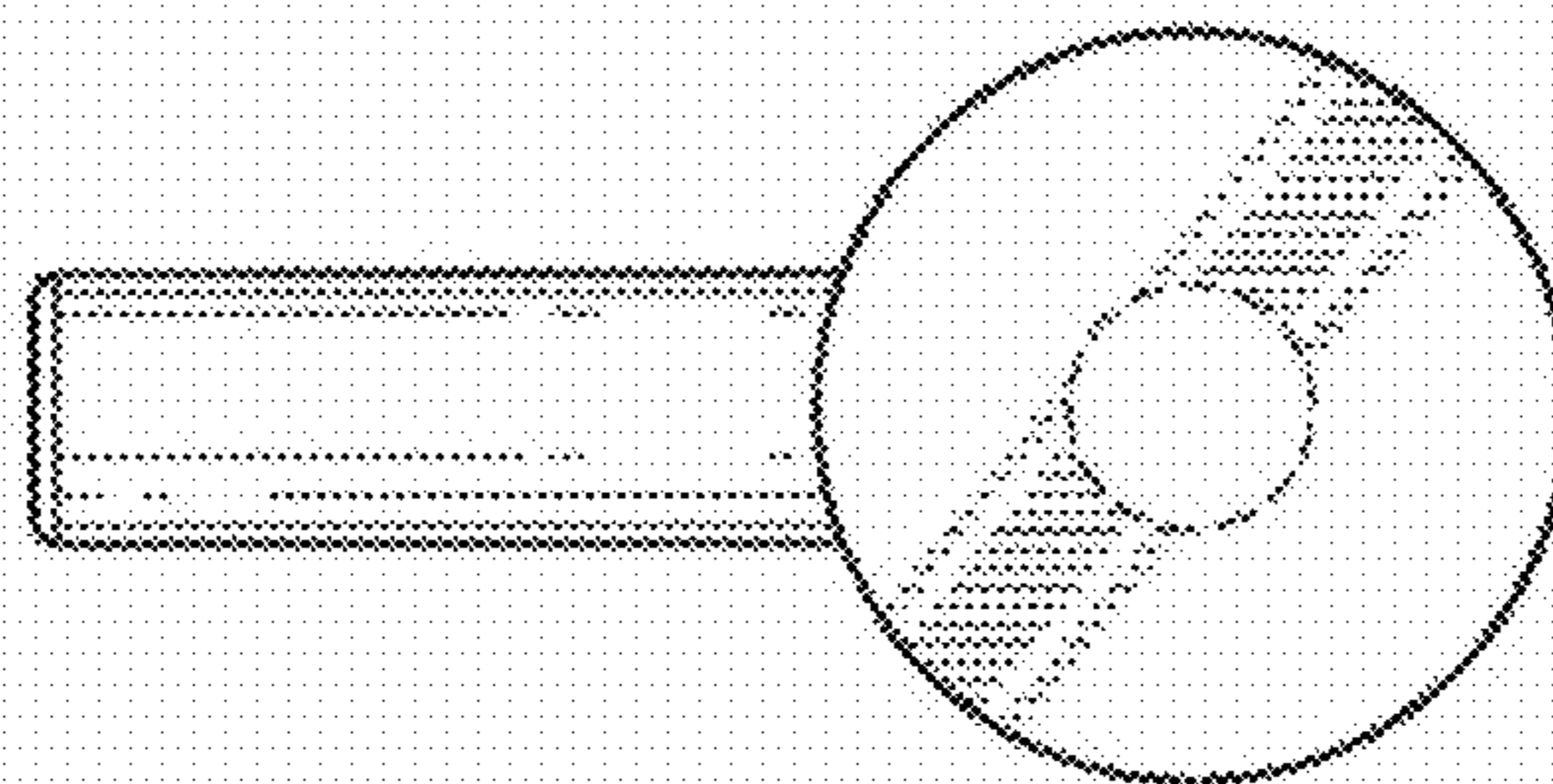


Fig-6