



US00D811541S

(12) **United States Design Patent**  
**Yang**

(10) **Patent No.:** **US D811,541 S**

(45) **Date of Patent:** **\*\* Feb. 27, 2018**

(54) **VALVE HANDLE**

D789,495 S \* 6/2017 Dube ..... D23/252

\* cited by examiner

(71) Applicant: **Tsai-Chen Yang**, Taichung (TW)

*Primary Examiner* — Robert A Delehanty

(72) Inventor: **Tsai-Chen Yang**, Taichung (TW)

(74) *Attorney, Agent, or Firm* — Muncy, Geissler, Olds & Lowe, P.C.

(\*\*) Term: **15 Years**

(57) **CLAIM**

(21) Appl. No.: **29/577,586**

I claim the ornamental design for a valve handle, as shown and described.

(22) Filed: **Sep. 14, 2016**

**DESCRIPTION**

(51) **LOC (11) Cl.** ..... **23-01**

(52) **U.S. Cl.**  
USPC ..... **D23/252**

(58) **Field of Classification Search**  
USPC ..... D23/238, 241–243, 249–250, 252, 254,  
D23/245; D8/307–308, 310–312  
CPC ..... Y10T 137/9464  
See application file for complete search history.

FIG. 1 is a right, front, top perspective view of a valve handle showing my new design;  
FIG. 2 is a front elevational view thereof;  
FIG. 3 is a rear elevational view thereof;  
FIG. 4 is a left side view thereof;  
FIG. 5 is a right side view thereof;  
FIG. 6 is a top plan view thereof;  
FIG. 7 is a bottom plan view thereof; and,  
FIG. 8 is a right, front, bottom perspective view of the valve handle.

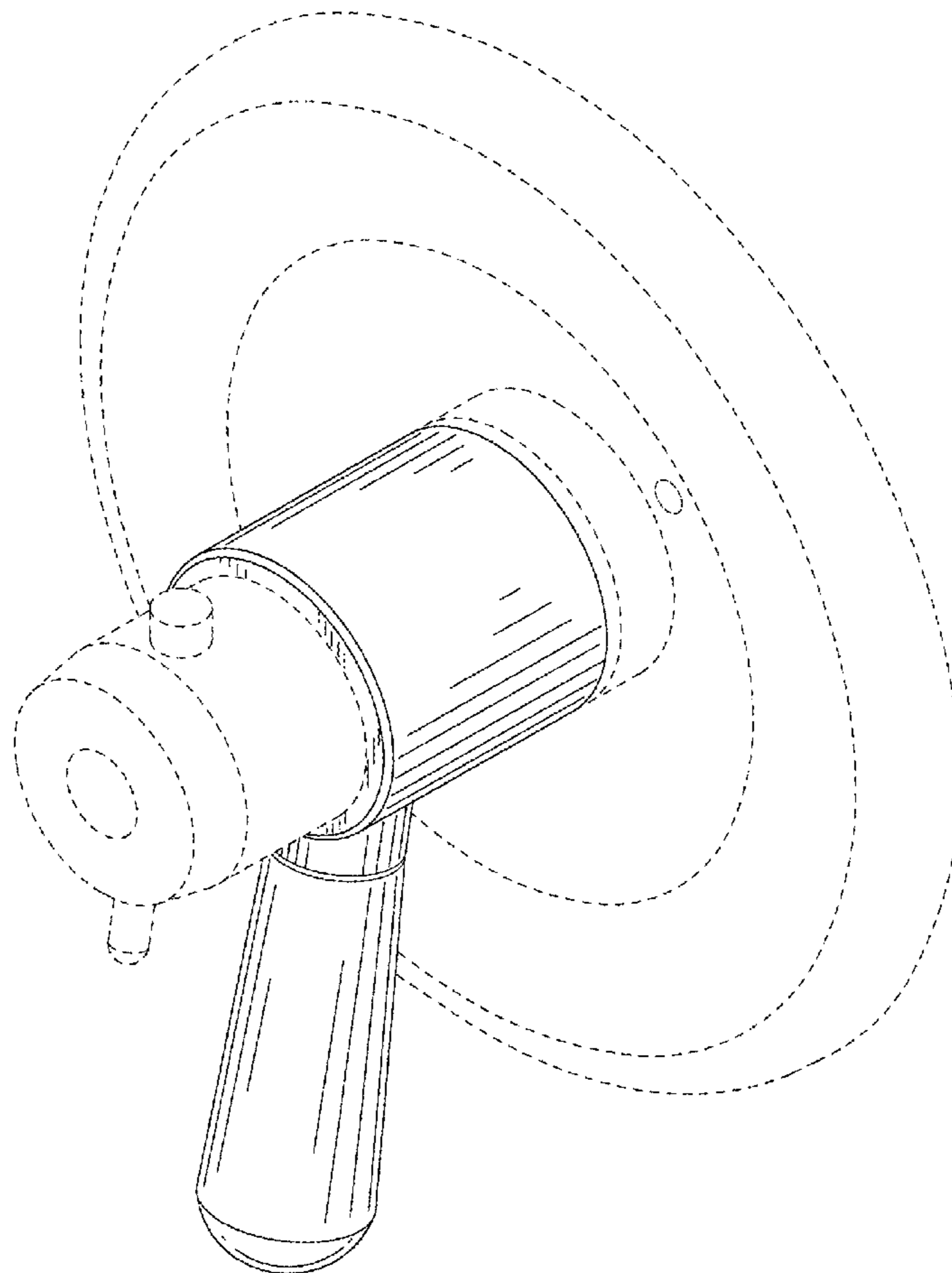
The broken lines in the drawings illustrate portions of the valve handle which form no part of the claimed design.

(56) **References Cited**

**U.S. PATENT DOCUMENTS**

D526,052 S \* 8/2006 Lord ..... D23/252  
D632,371 S \* 2/2011 Flowers ..... D23/252

**1 Claim, 8 Drawing Sheets**



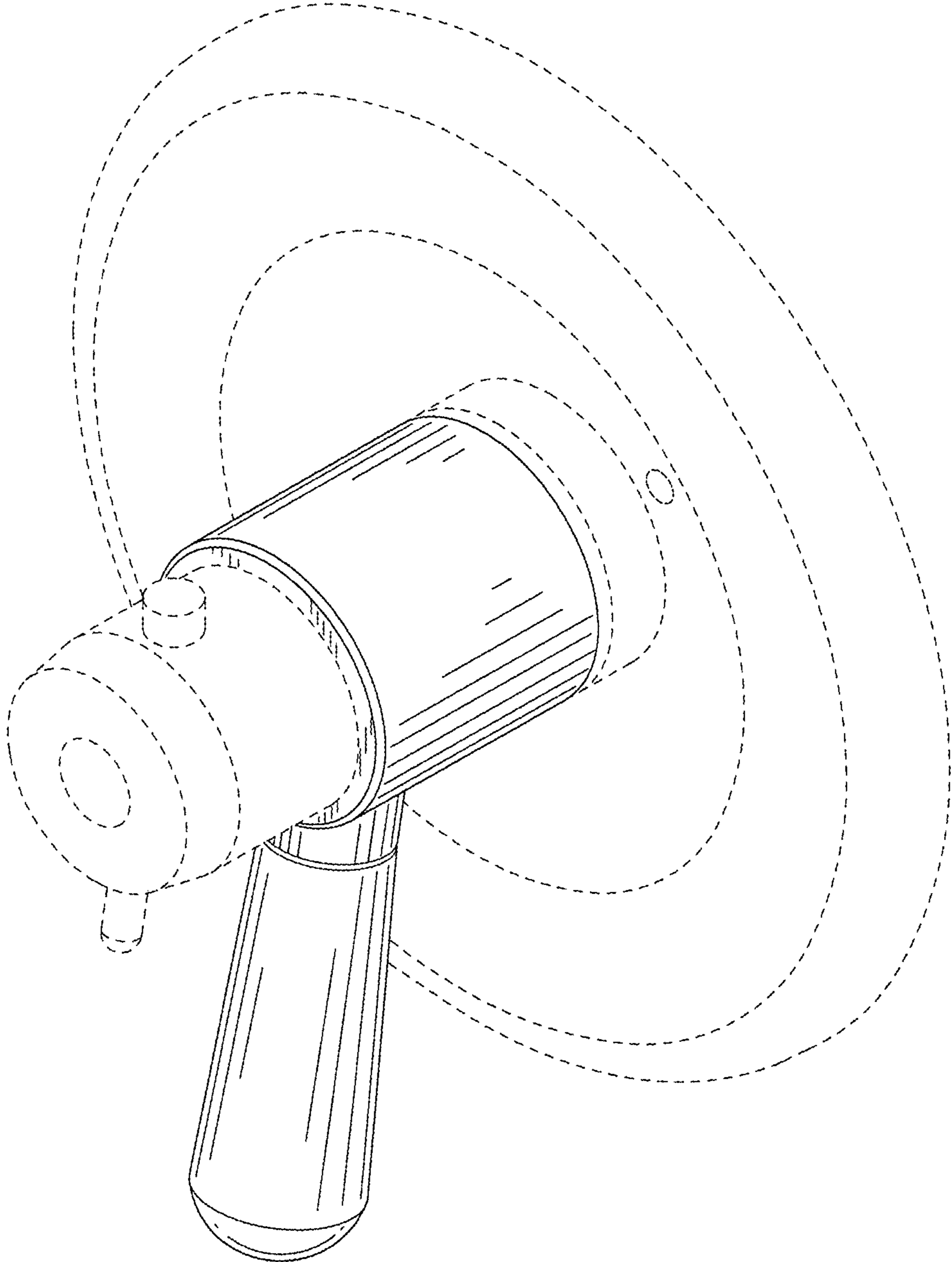


FIG. 1

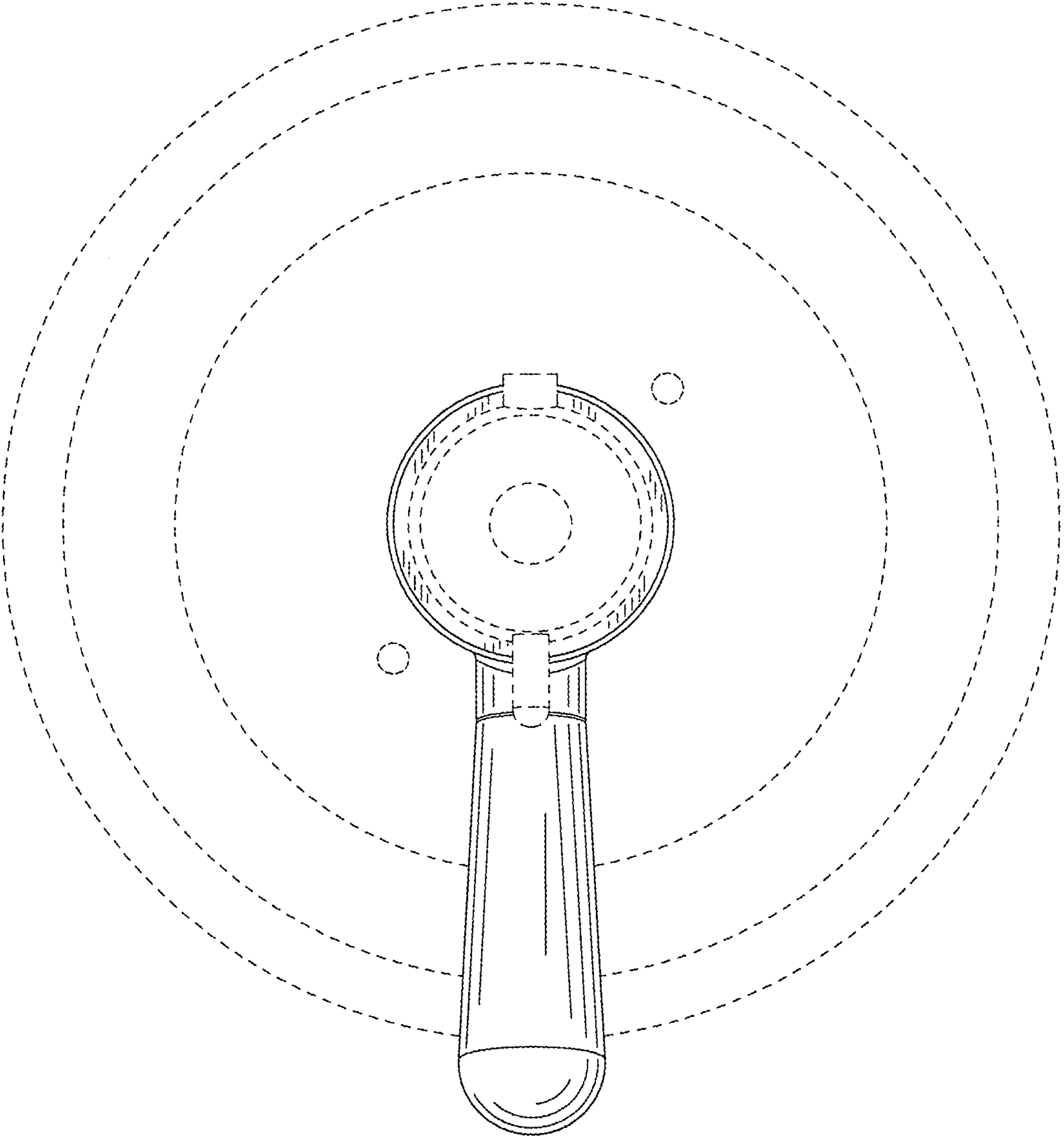


FIG. 2

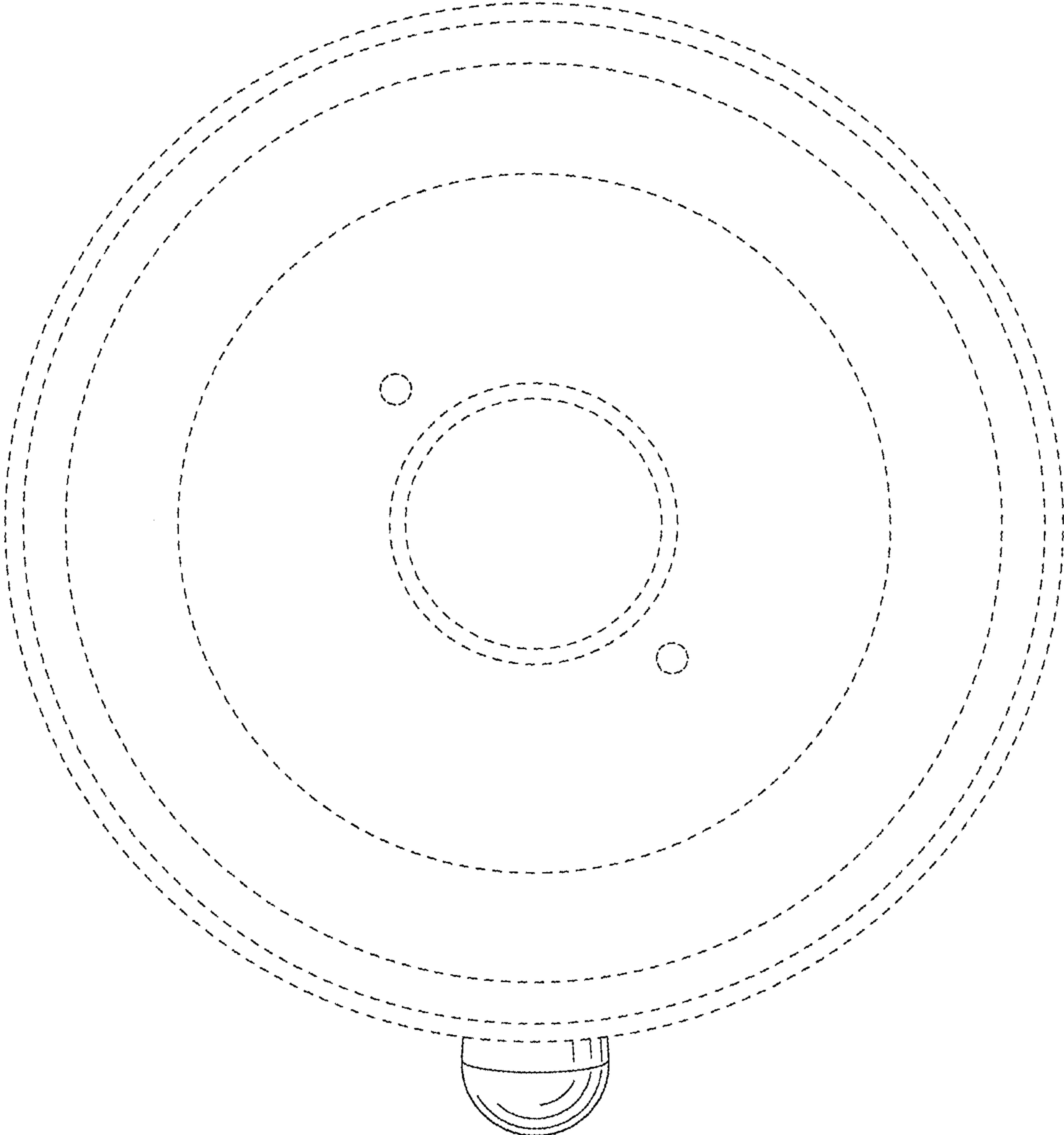


FIG. 3

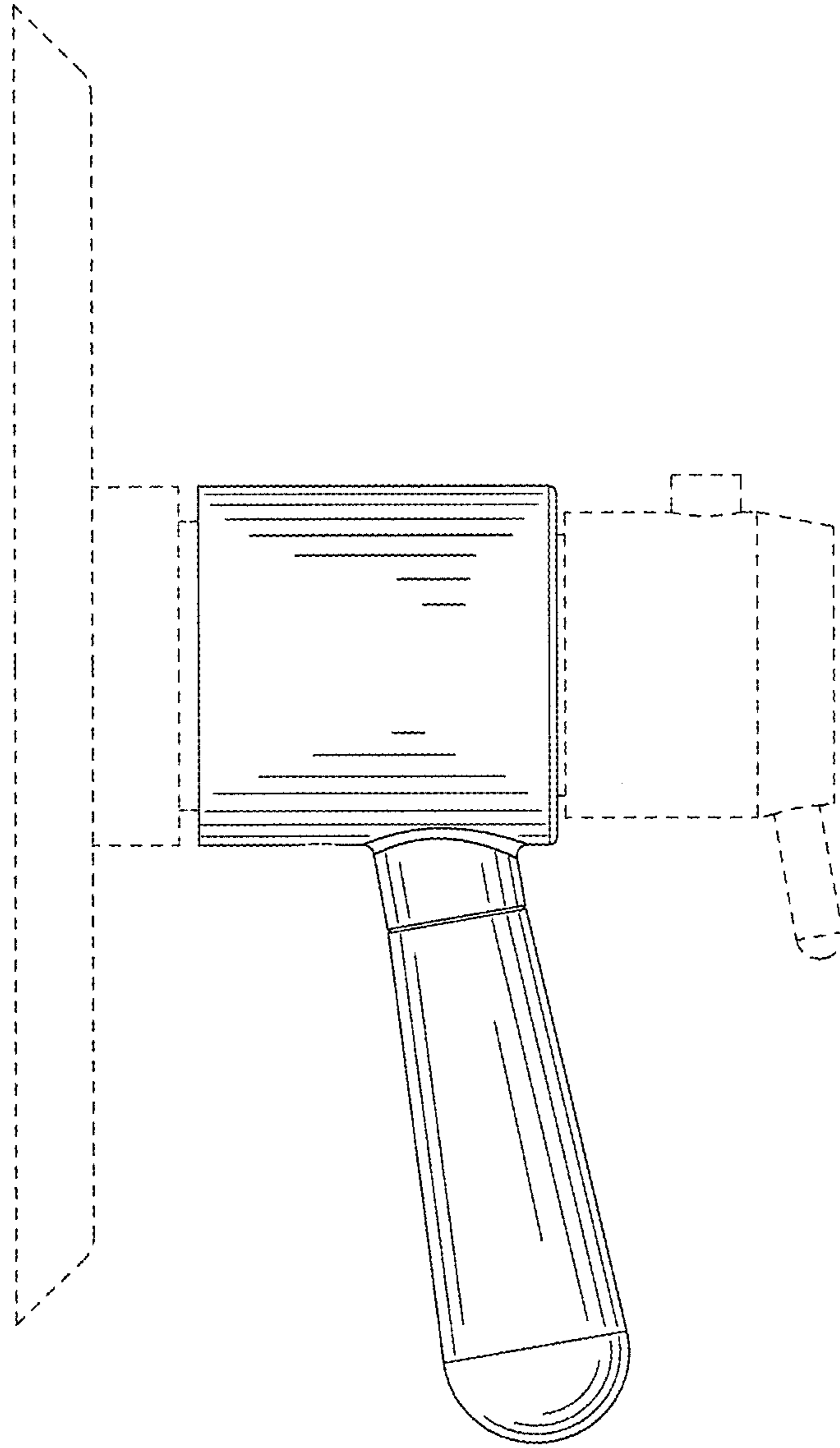


FIG. 4

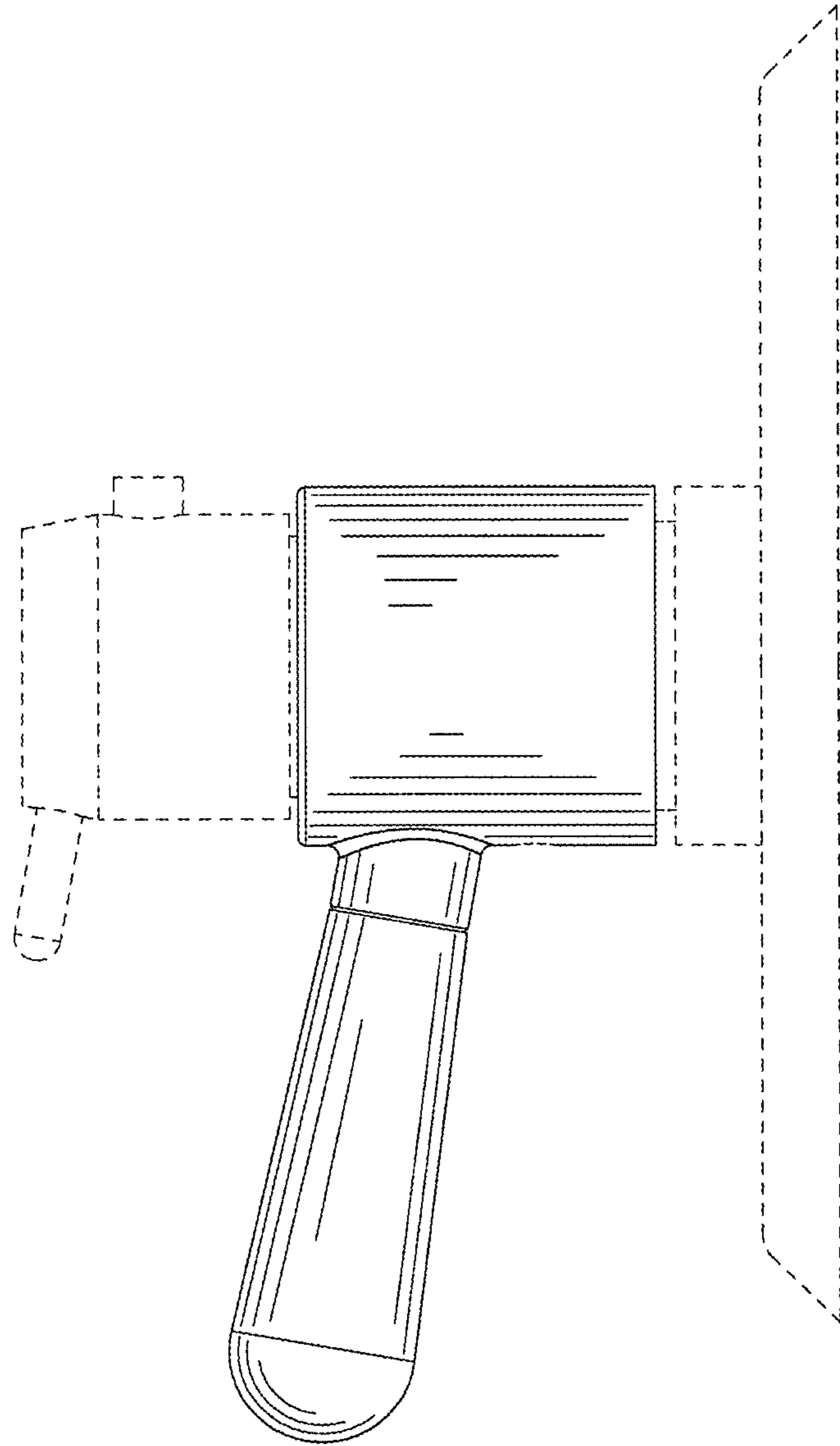


FIG. 5

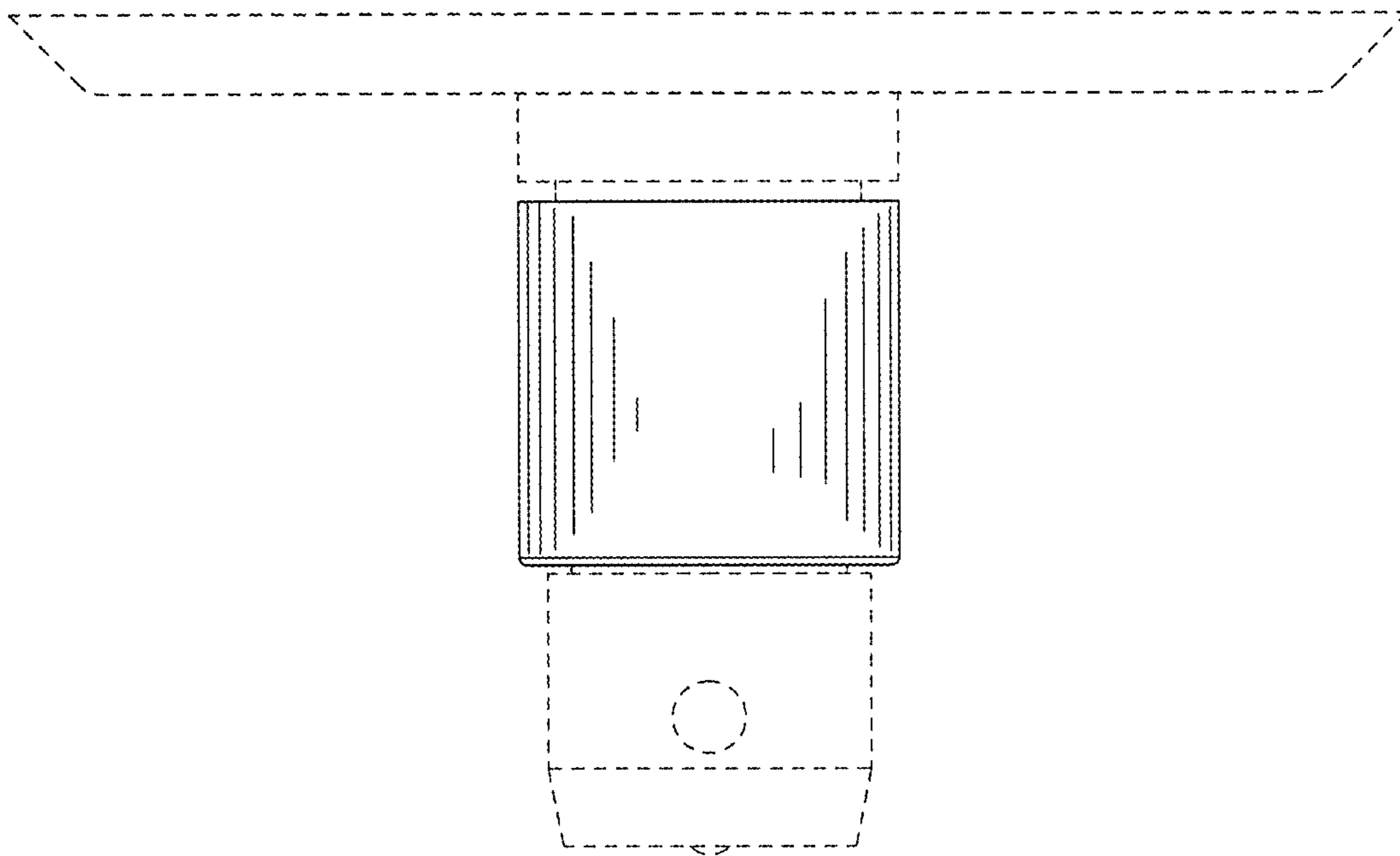


FIG. 6

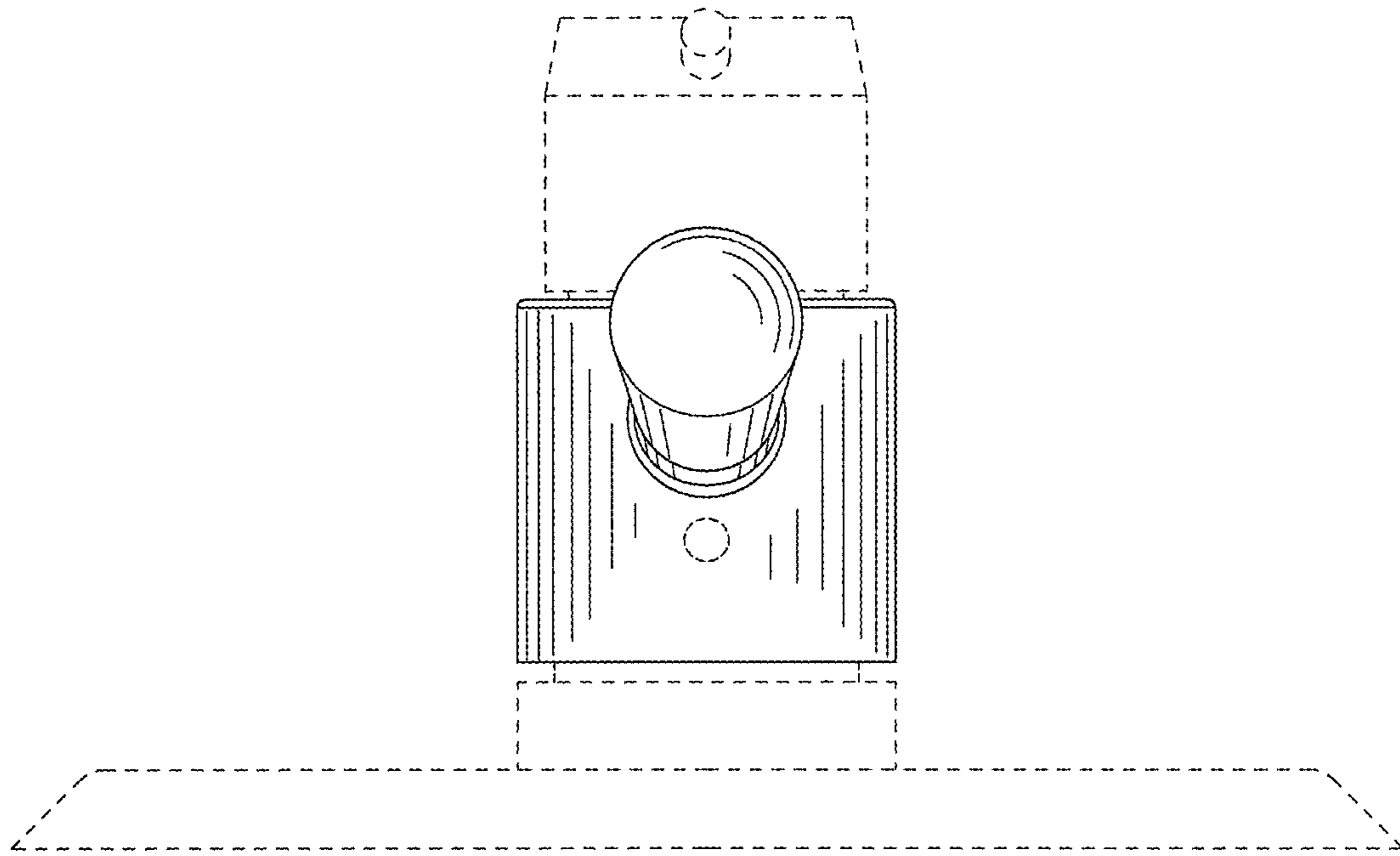


FIG. 7



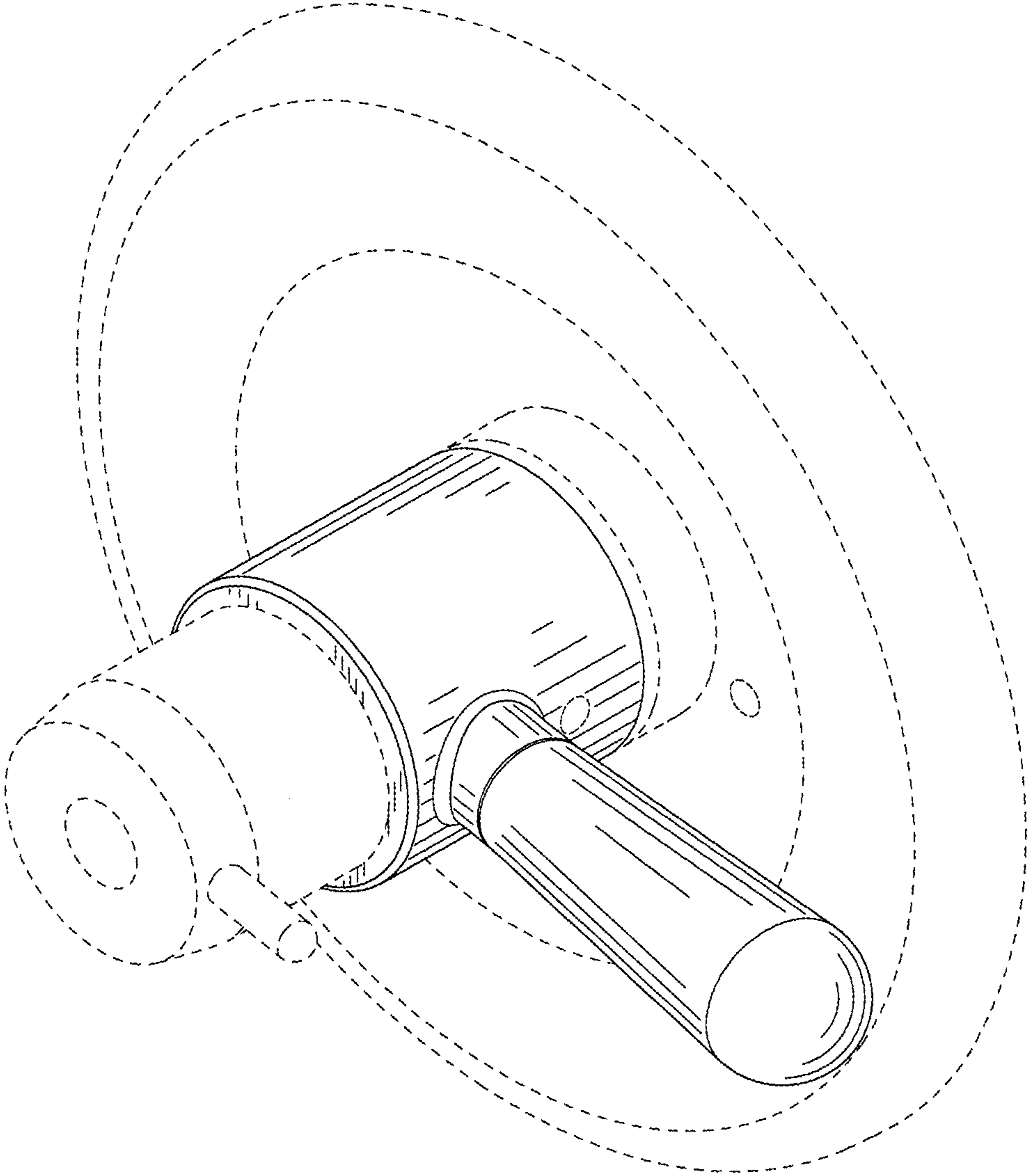


FIG. 8