



US00D811539S

(12) **United States Design Patent**
Yang

(10) **Patent No.:** **US D811,539 S**

(45) **Date of Patent:** **** Feb. 27, 2018**

(54) **VALVE HANDLE**

(71) Applicant: **Tsai-Chen Yang**, Taichung (TW)

(72) Inventor: **Tsai-Chen Yang**, Taichung (TW)

(**) Term: **15 Years**

(21) Appl. No.: **29/577,585**

(22) Filed: **Sep. 14, 2016**

(51) **LOC (11) Cl.** **23-01**

(52) **U.S. Cl.**
USPC **D23/250**

(58) **Field of Classification Search**
USPC D23/238, 241–243, 249–250, 252, 254,
D23/245; D8/307–308, 310–312;
D9/447
CPC Y10T 137/9464
See application file for complete search history.

(56) **References Cited**

U.S. PATENT DOCUMENTS

D266,348 S * 9/1982 Piesco D23/252
D267,110 S * 11/1982 Arnolds D23/242
D326,900 S * 6/1992 Haug D23/250
D440,634 S * 4/2001 Fleischmann D23/238

D512,128 S * 11/2005 Zieger D23/253
D731,623 S * 6/2015 Flowers D23/252
D789,495 S * 6/2017 Dube D23/252
D802,419 S * 11/2017 Seiders D9/447

* cited by examiner

Primary Examiner — Robert A Delehanty

(74) *Attorney, Agent, or Firm* — Muncy, Geissler, Olds & Lowe, P.C.

(57) **CLAIM**

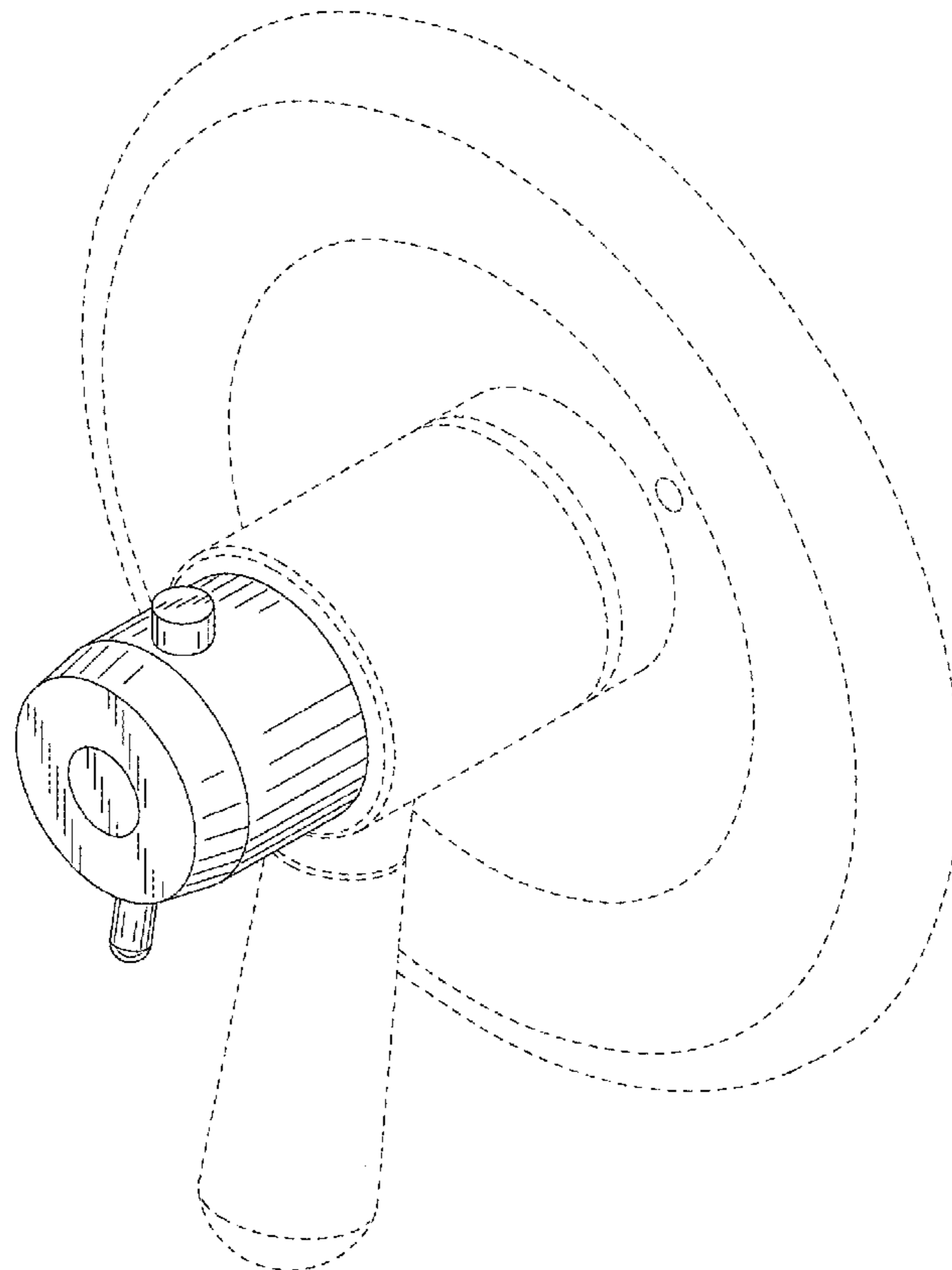
I claim the ornamental design for a valve handle, as shown and described.

DESCRIPTION

FIG. 1 is a right, front, top perspective view of a valve handle showing my new design;
FIG. 2 is a front elevational view thereof;
FIG. 3 is a rear elevational view thereof;
FIG. 4 is a left side view thereof;
FIG. 5 is a right side view thereof;
FIG. 6 is a top plan view thereof;
FIG. 7 is a bottom plan view thereof; and,
FIG. 8 is a right, front, bottom perspective view of the valve handle.

The broken lines in the drawings illustrate portions of the valve handle which form no part of the claimed design.

1 Claim, 8 Drawing Sheets



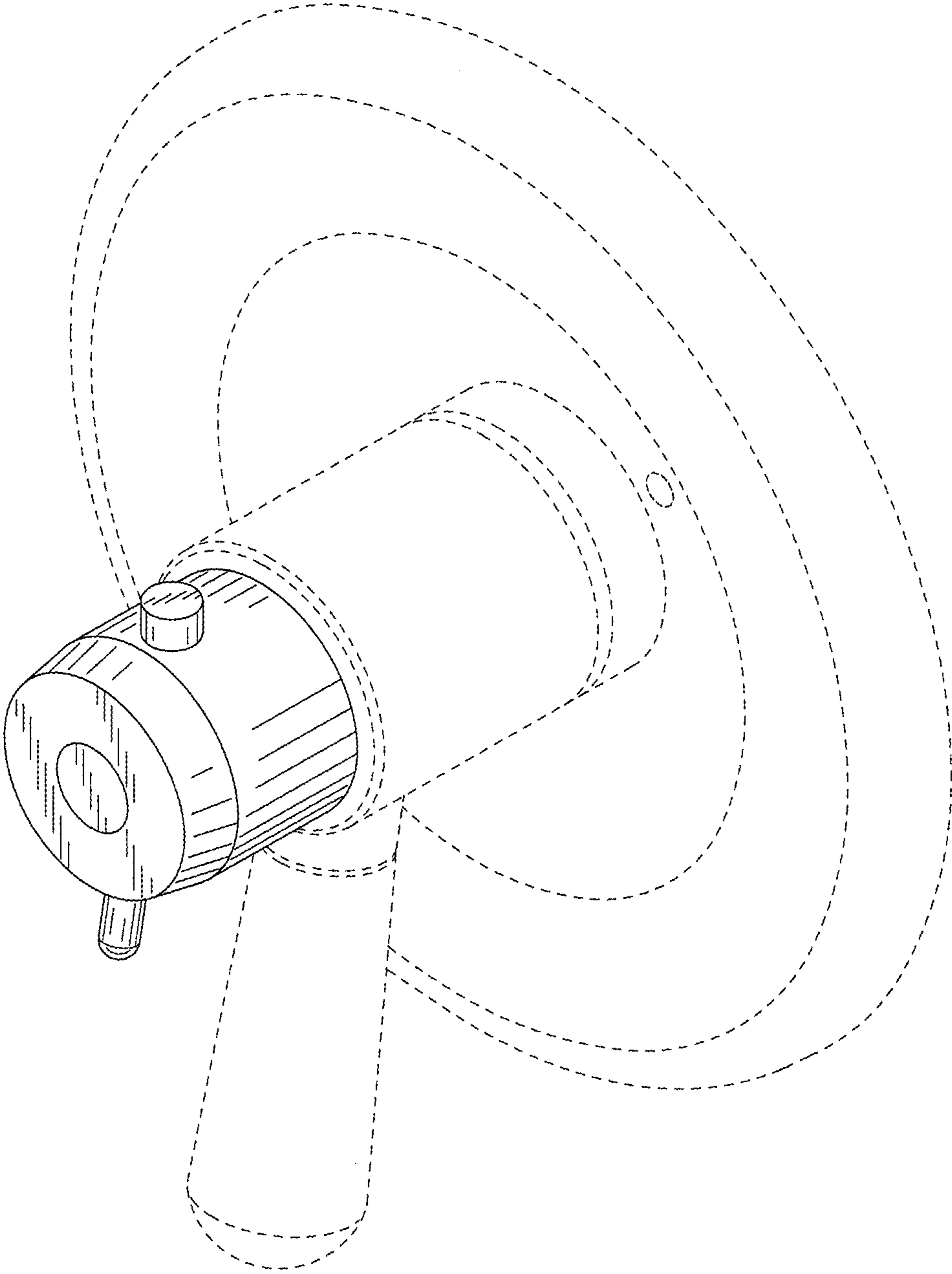


FIG. 1

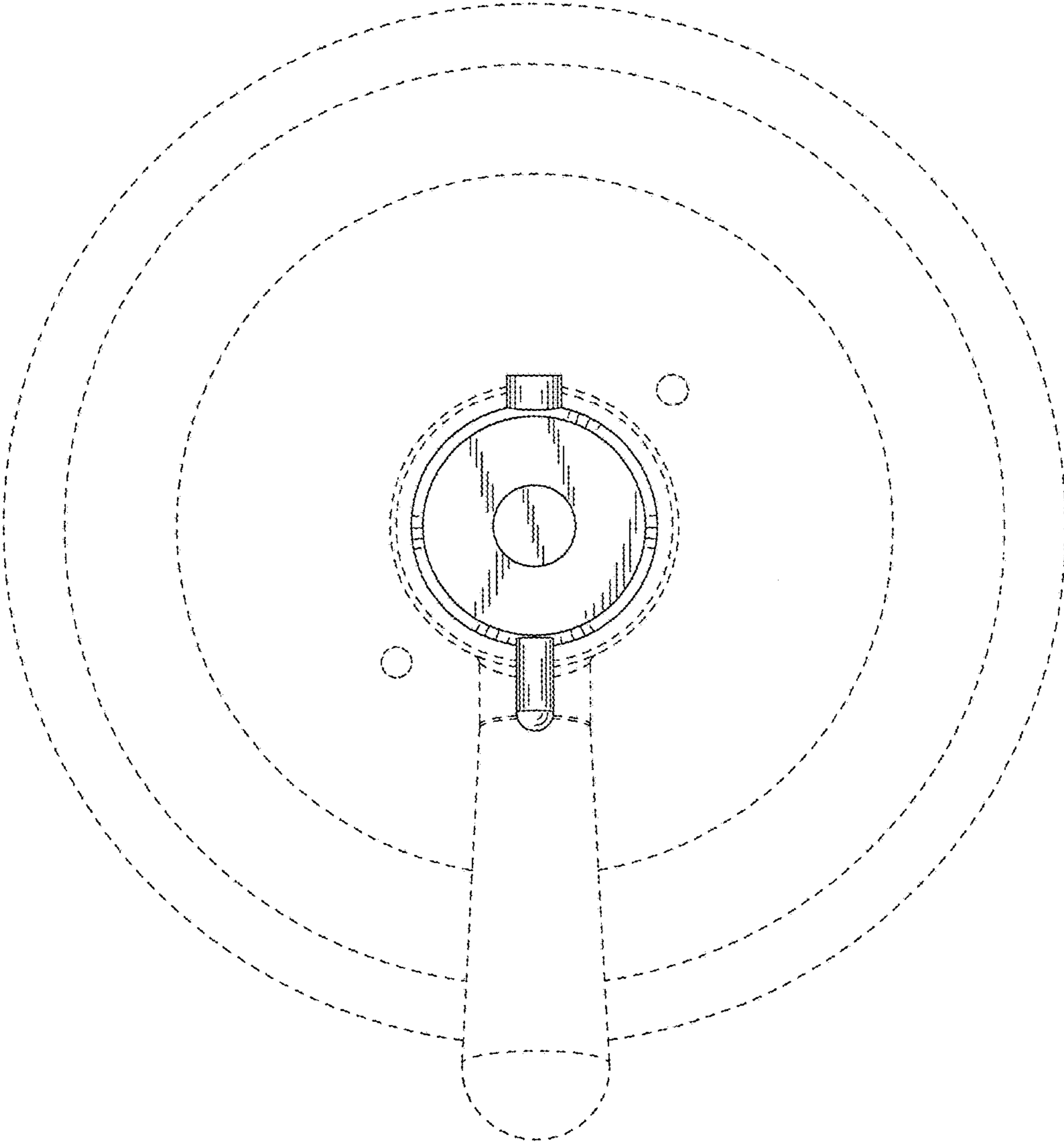


FIG. 2

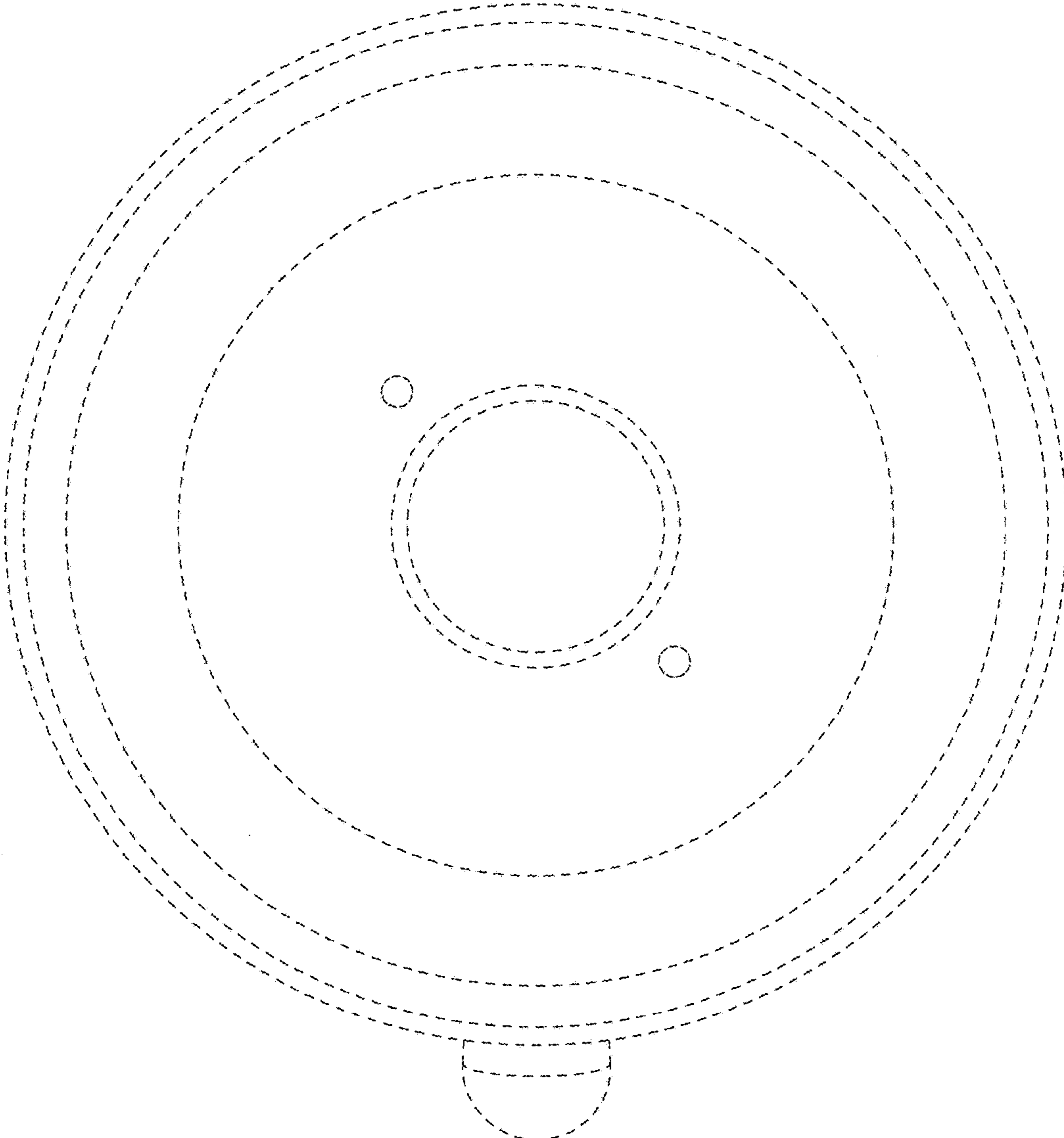


FIG. 3

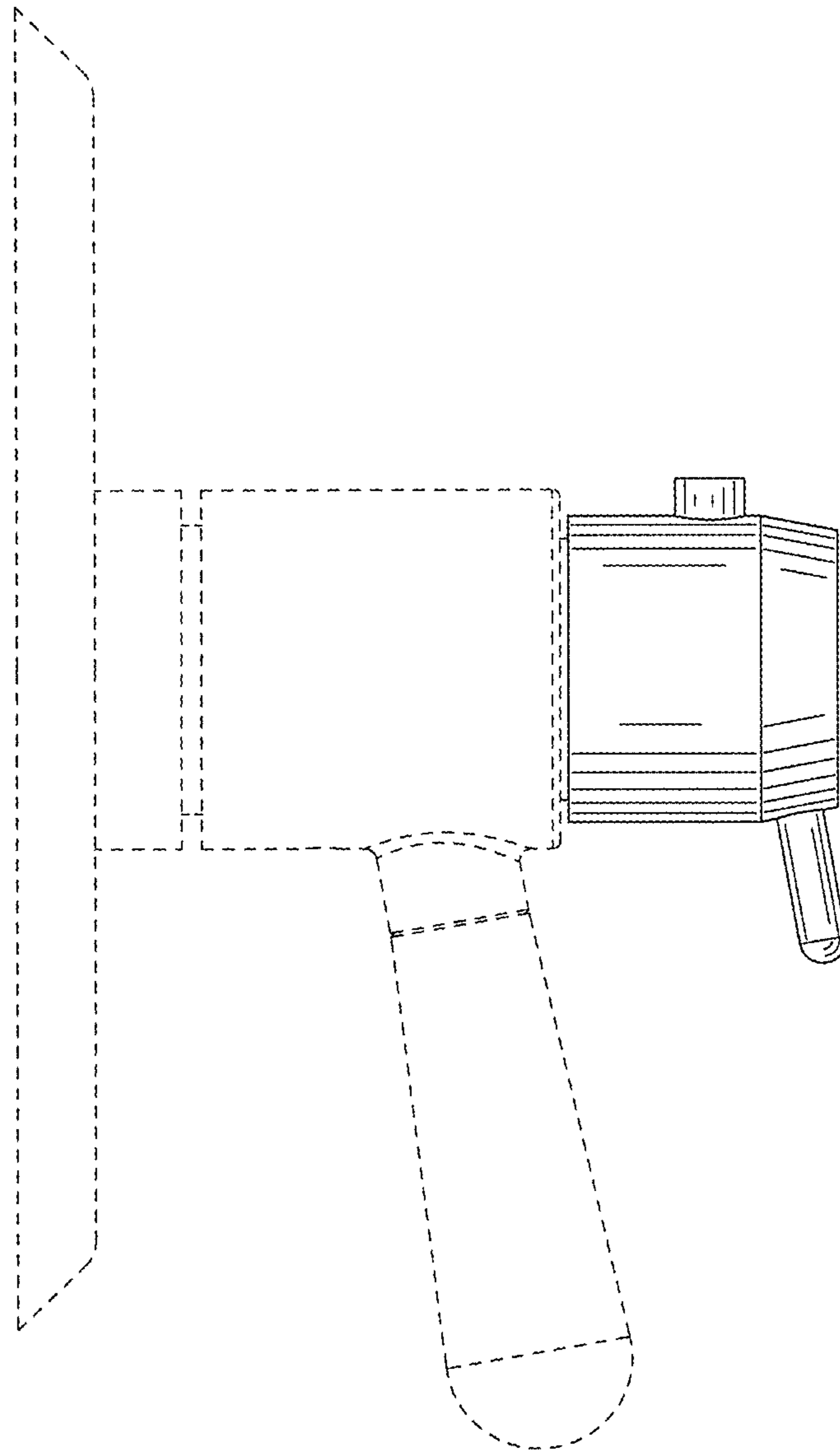


FIG. 4

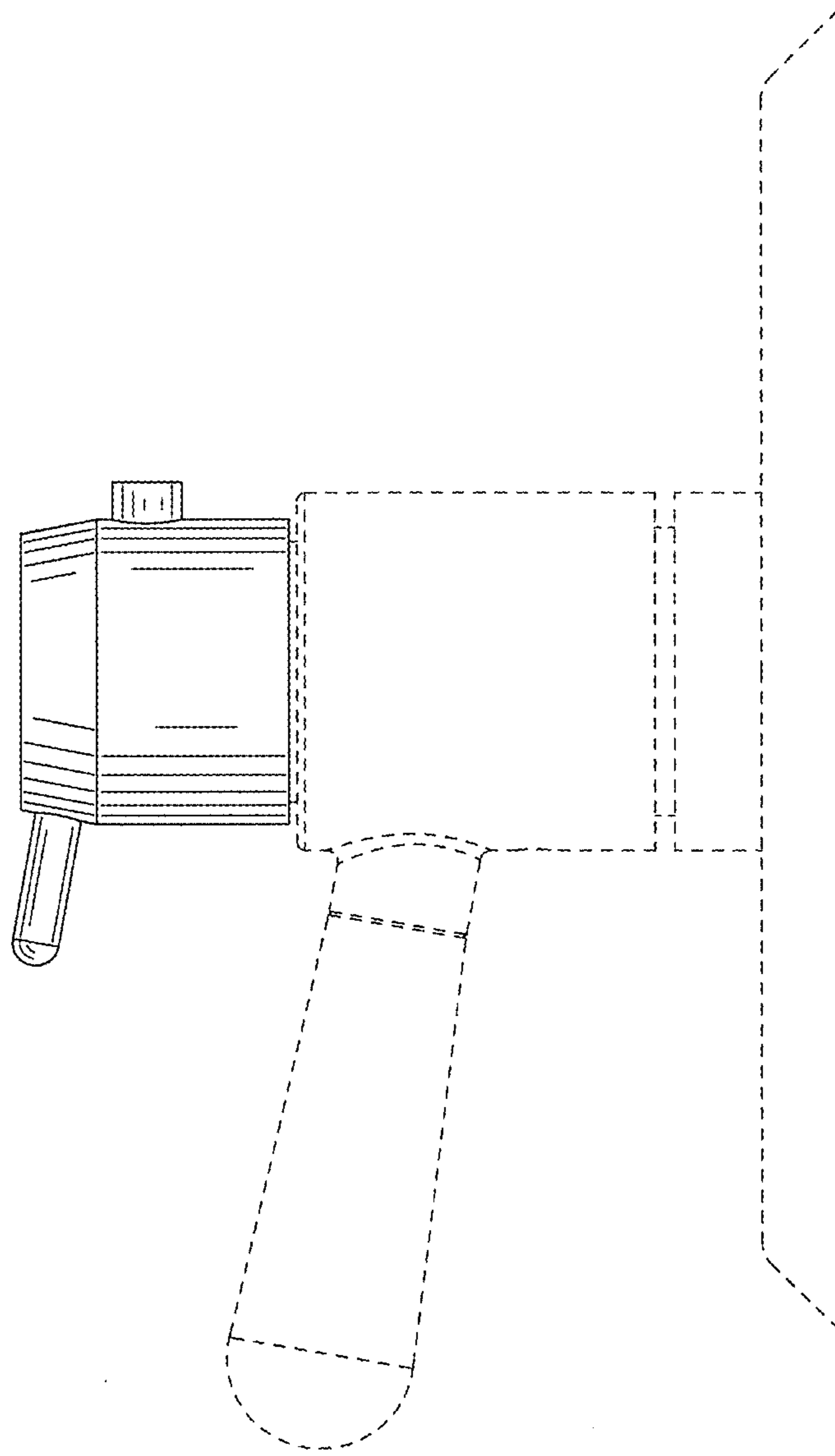


FIG. 5

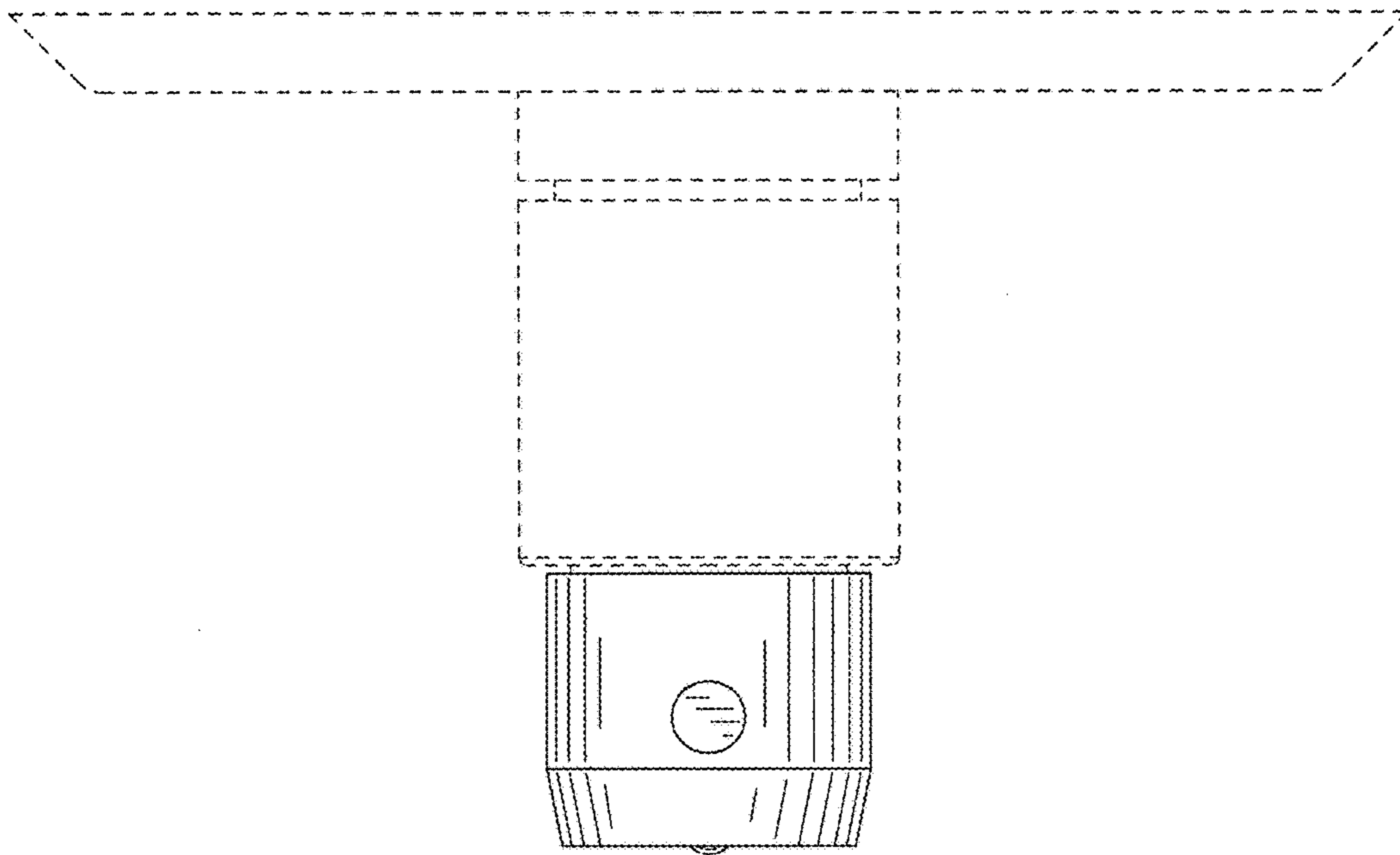


FIG. 6

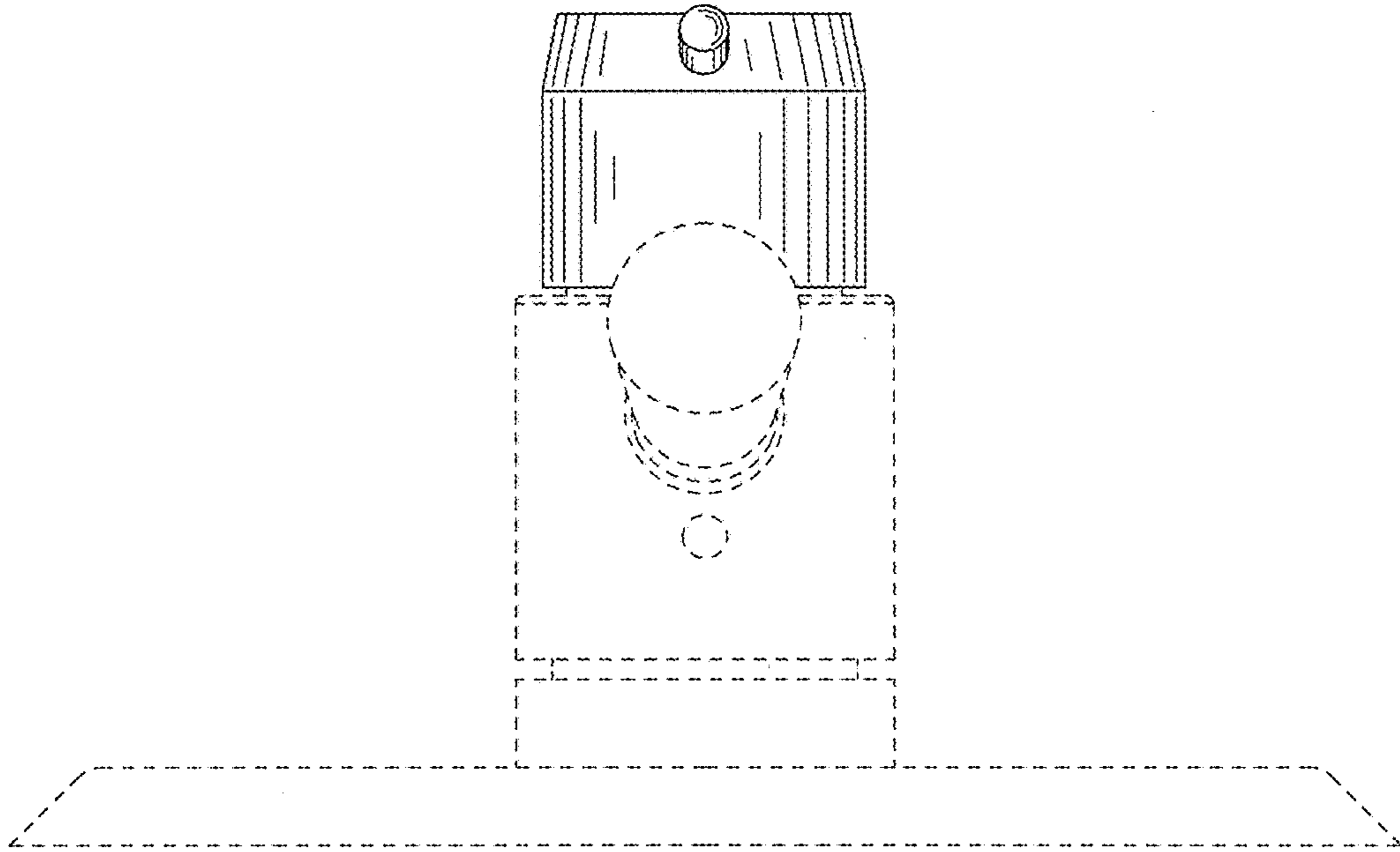


FIG. 7

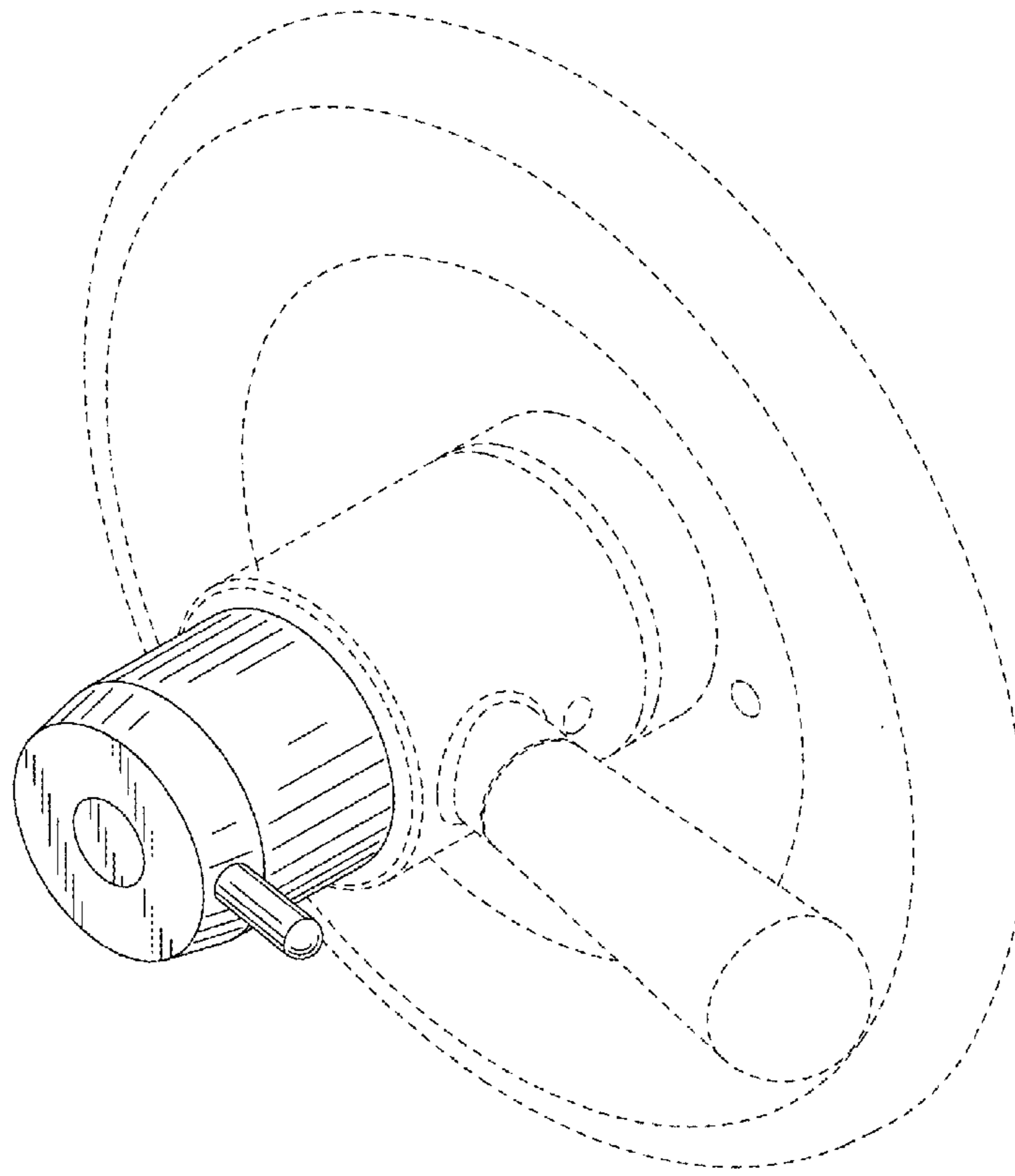


FIG. 8