



US00D811537S

(12) **United States Design Patent**
Schoenherr et al.

(10) **Patent No.:** **US D811,537 S**

(45) **Date of Patent:** **** Feb. 27, 2018**

(54) **FAUCET**

(71) Applicant: **HANS GROHE SE**, Schiltach (DE)

(72) Inventors: **Tom Schoenherr**, Stuttgart (DE);
Andreas Diefenbach,
Ludwigsburg-Oßweil (DE); **Yunwei**
Zhu, Stuttgart (DE)

(73) Assignee: **Hansgrohe SE**, Schiltach (DE)

(**) Term: **15 Years**

(21) Appl. No.: **29/586,873**

(22) Filed: **Dec. 7, 2016**

(30) **Foreign Application Priority Data**

Jun. 8, 2016 (EM) 003180363-0043

(51) **LOC (11) Cl.** **23-01**

(52) **U.S. Cl.**

USPC **D23/242; D23/239**

(58) **Field of Classification Search**

USPC D23/238–239, 241–243, 249–250, 252,
D23/254–255, 257; D8/307–308

CPC Y10T 137/9464

See application file for complete search history.

(56) **References Cited**

U.S. PATENT DOCUMENTS

D479,582 S * 9/2003 Citterio D23/239

D517,655 S * 3/2006 Ogata D23/241

D538,401 S *	3/2007	Miyamoto	D23/241
D625,393 S *	10/2010	Sieger	D23/242
D645,941 S *	9/2011	Ando	D23/242
D659,807 S *	5/2012	Flowers	D23/255
D665,879 S *	8/2012	Flowers	D23/252
D665,881 S *	8/2012	Flowers	D23/252
D701,592 S *	3/2014	Zhenqiang	D23/238
D767,727 S *	9/2016	Eads	D23/242

* cited by examiner

Primary Examiner — Robert A Delehanty

(74) *Attorney, Agent, or Firm* — Lora J. Graentzdoerffer

(57) **CLAIM**

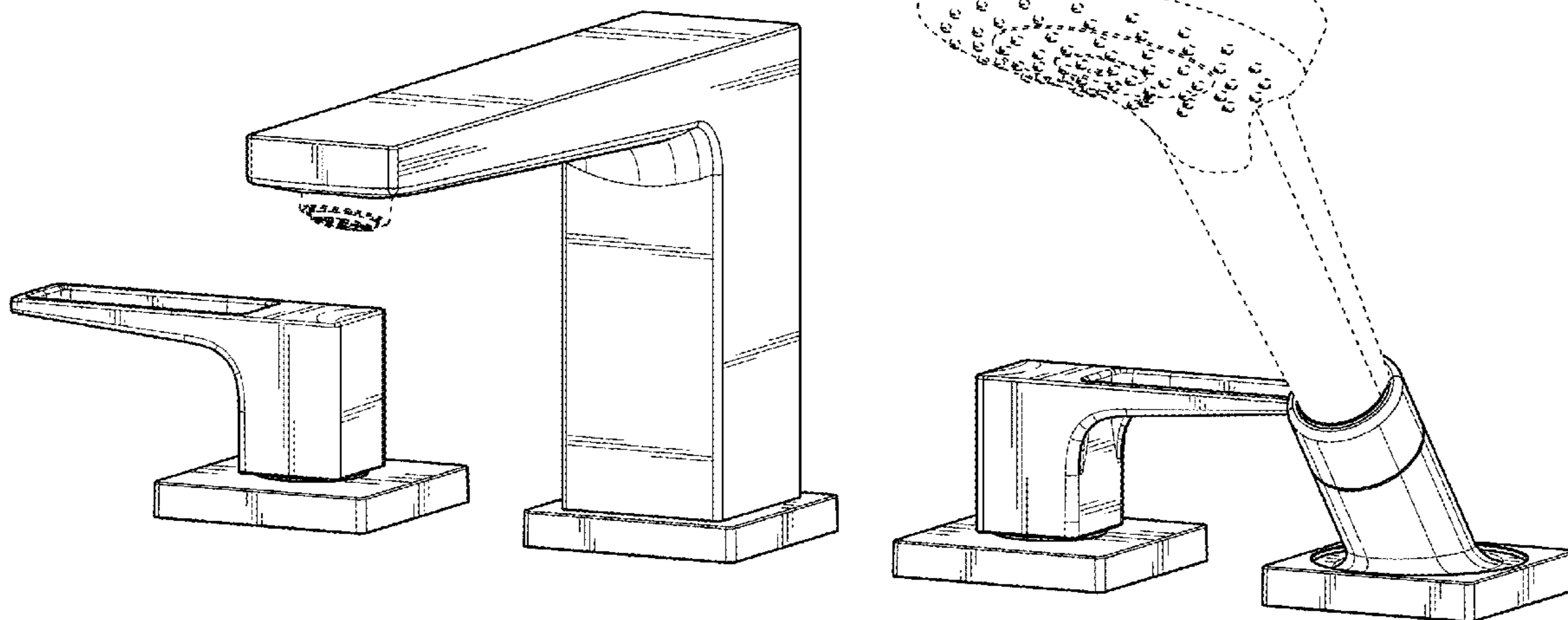
The ornamental design for a faucet, as shown and described.

DESCRIPTION

FIG. 1 is a perspective view of a faucet showing our design; FIG. 2 is a front elevation view; FIG. 3 is a rear elevation view; FIG. 4 is a right side elevation view; FIG. 5 is a left side elevation view; FIG. 6 is a top plan view; and, FIG. 7 is a bottom plan view.

The broken-line disclosure in the view represents a portion of the faucet in which the claimed design is embodied, but which forms no part of the claimed design.

1 Claim, 7 Drawing Sheets



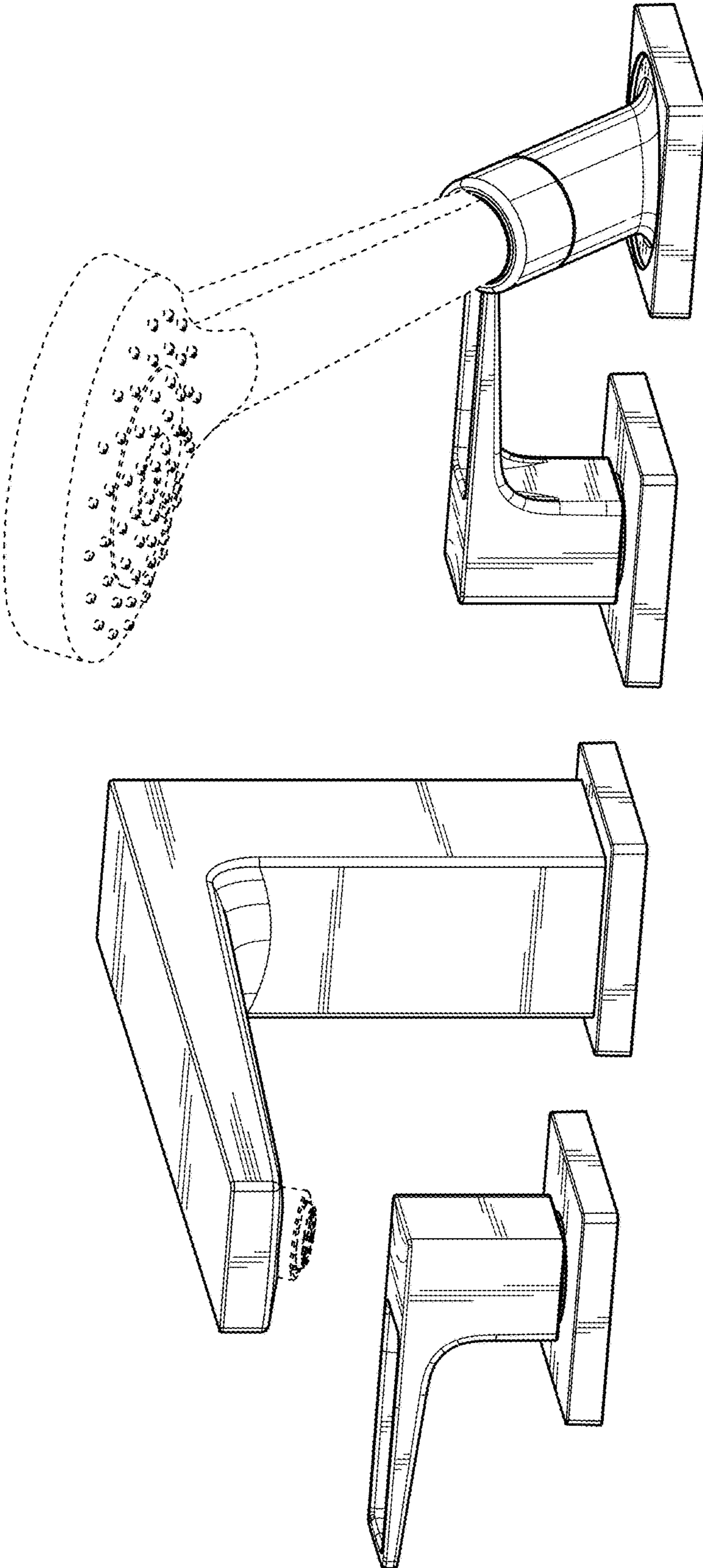


FIG. 1

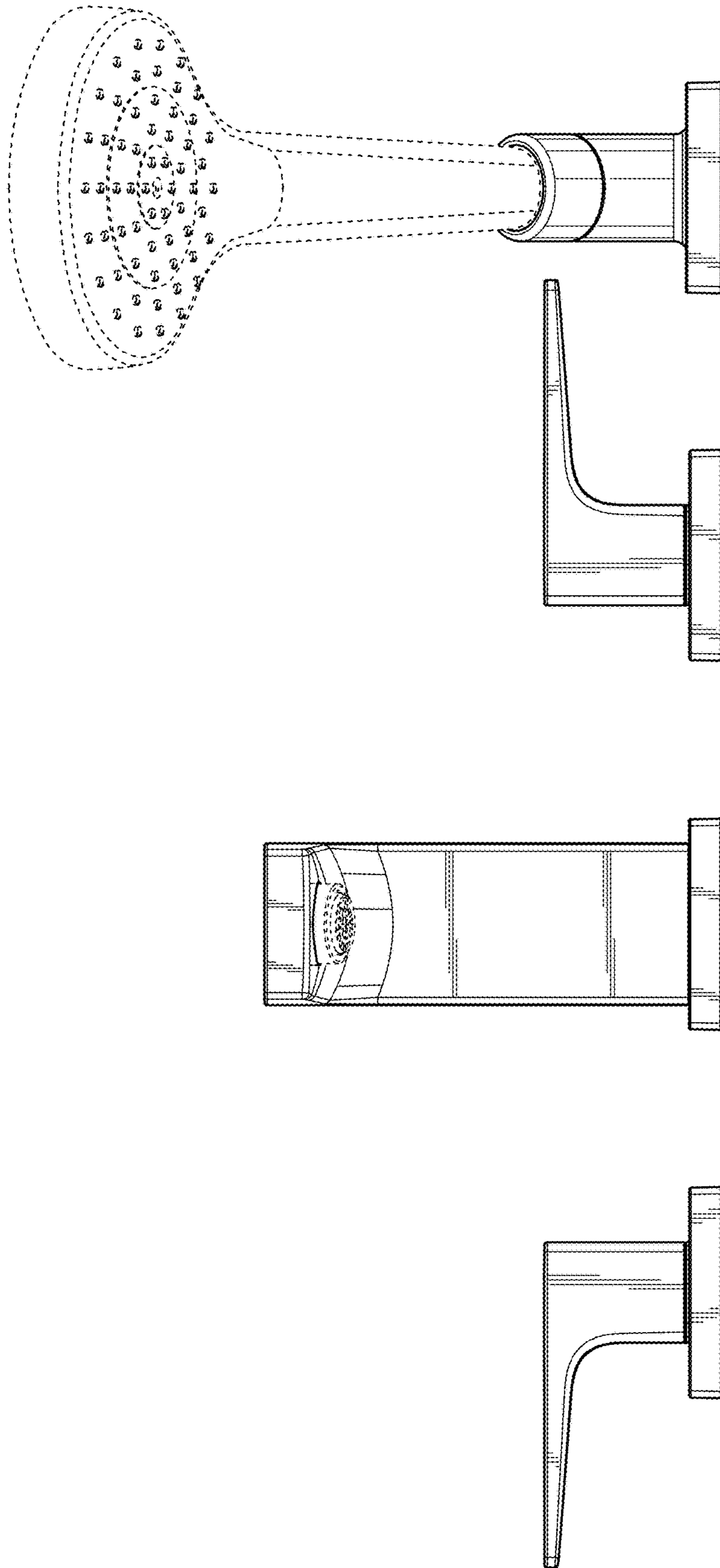


FIG. 2

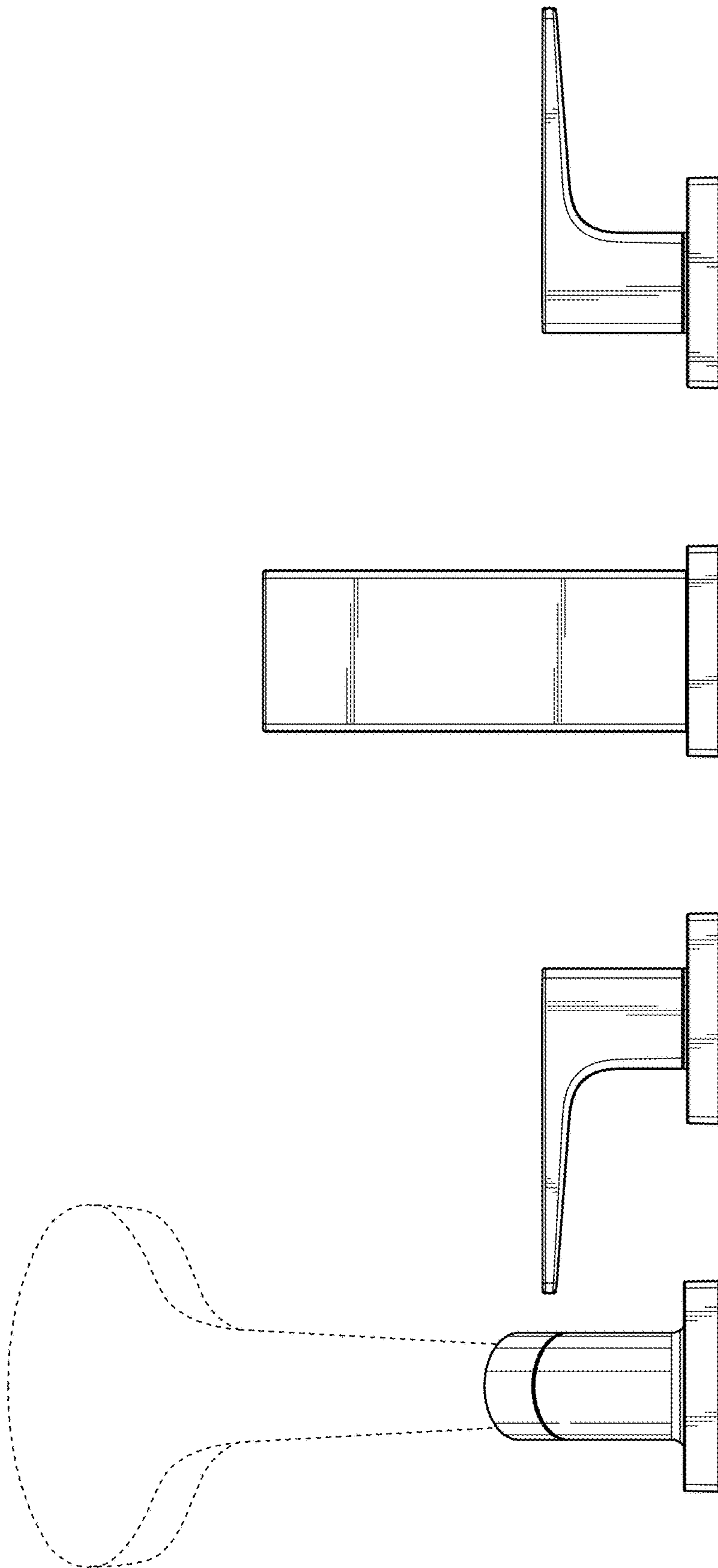


FIG. 3

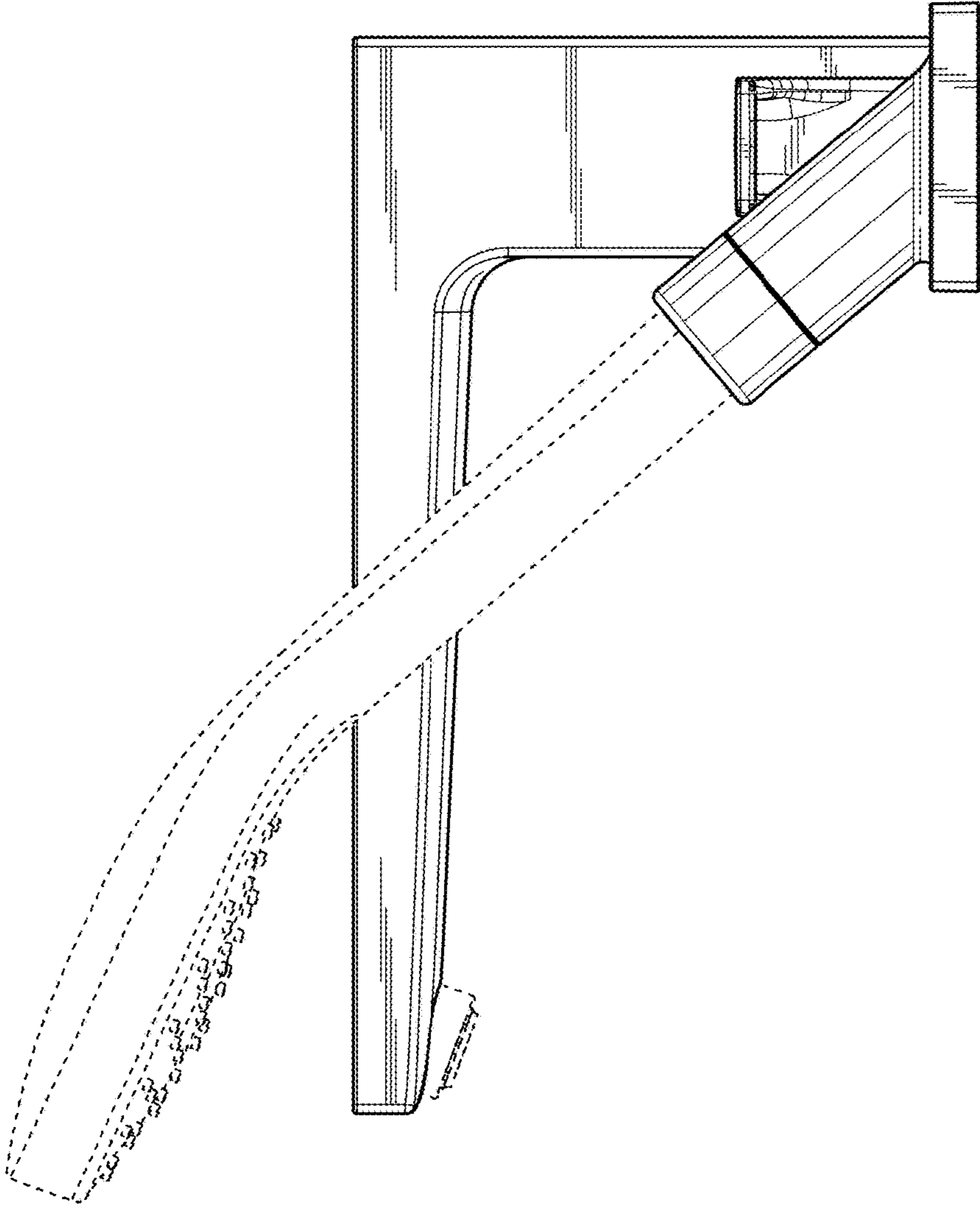


FIG. 4

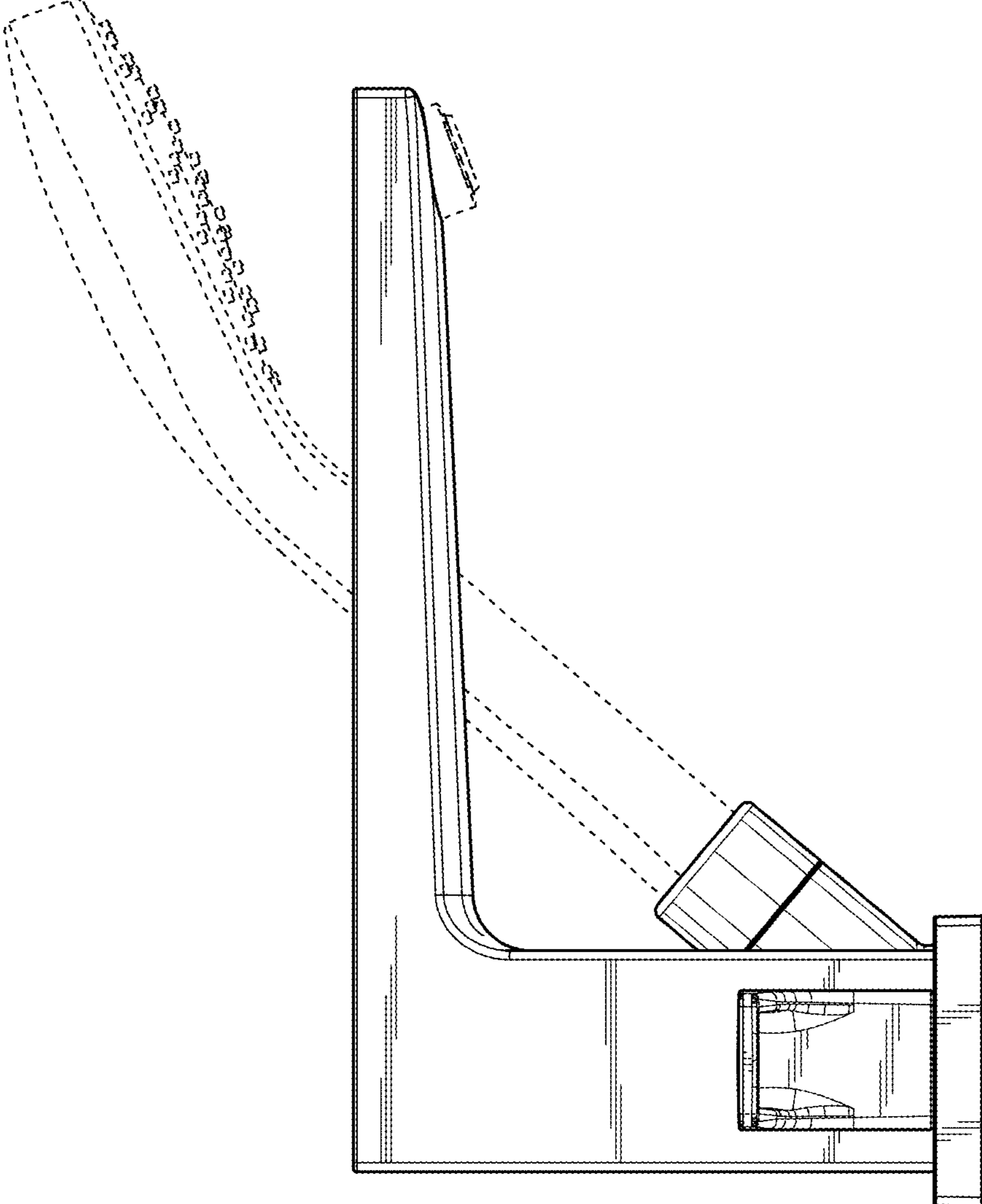


FIG. 5

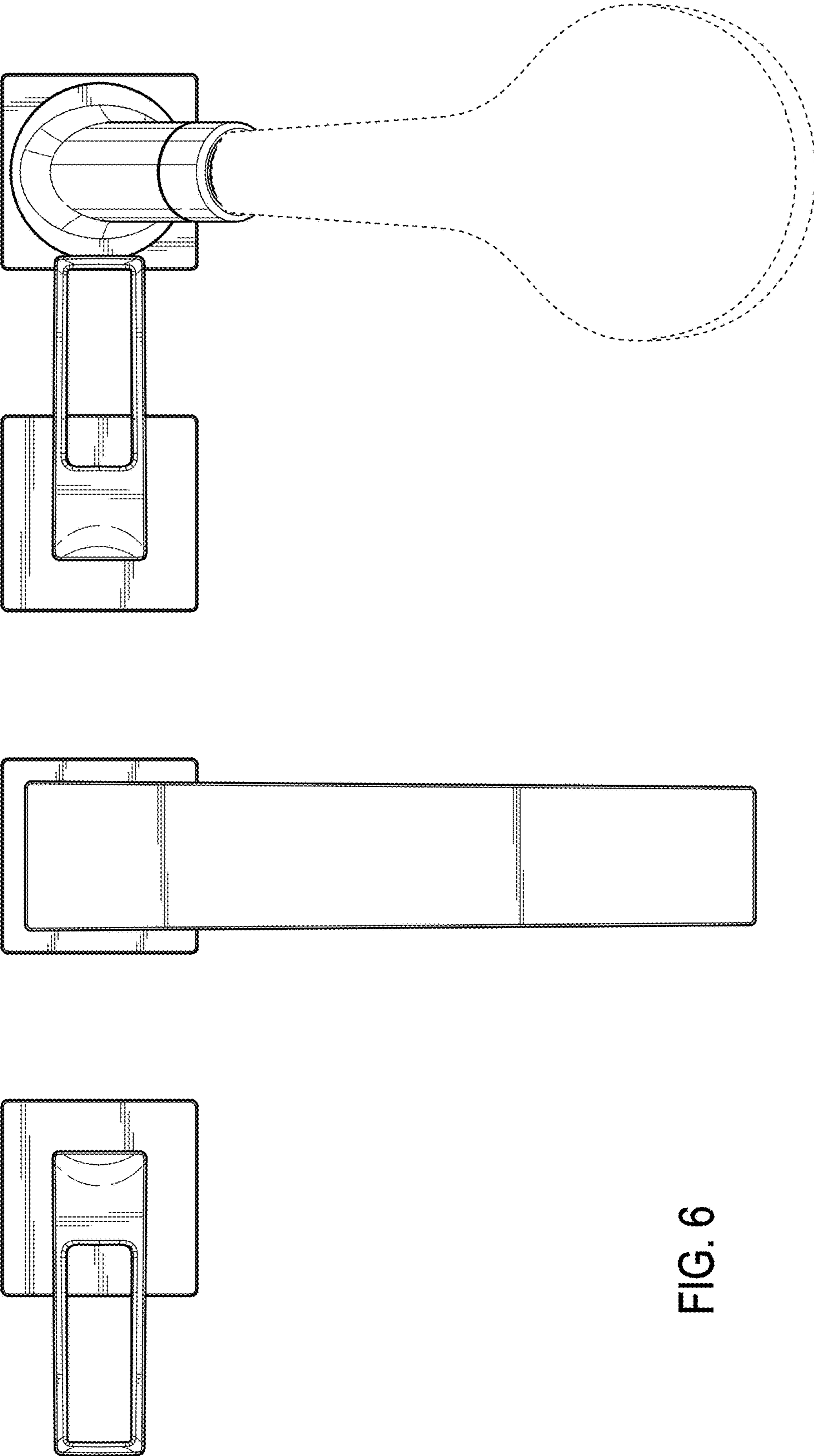


FIG. 6

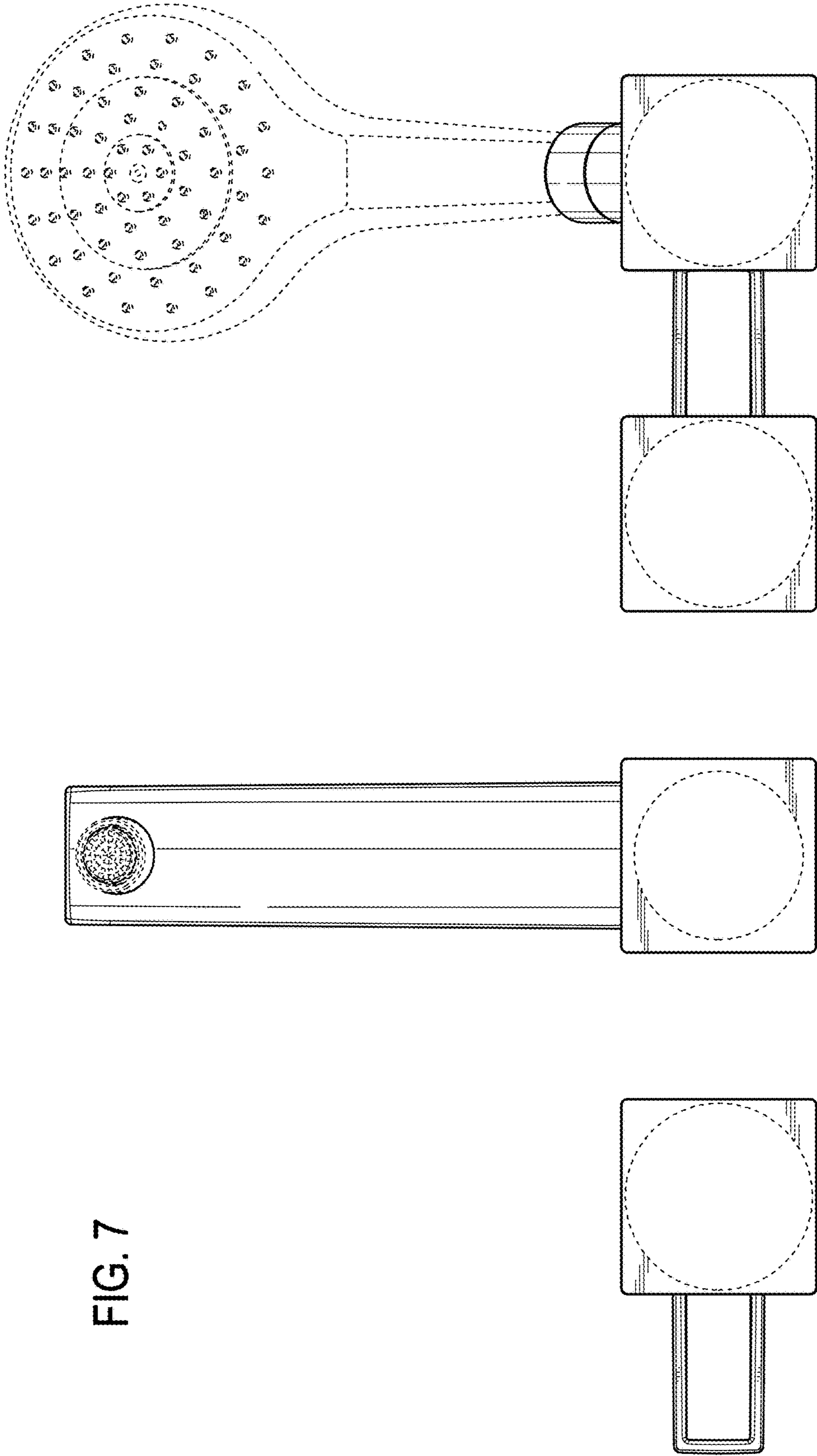


FIG. 7