



US00D811535S

(12) **United States Design Patent** (10) **Patent No.:** **US D811,535 S**
Wieser et al. (45) **Date of Patent:** **** Feb. 27, 2018**

(54) **LAVATORY FIXTURE WITH INTEGRATED FAUCET, SOAP DISPENSER, AND HAND DRYER**

D353,651 S * 12/1994 Formgren 23/241
D686,369 S * 7/2013 Horvath D28/58
D708,711 S * 7/2014 Yu D23/238
D708,716 S * 7/2014 Ryu 23/241
D768,824 S * 10/2016 Murray D23/238
D785,761 S * 5/2017 Murray D23/238

(71) Applicant: **Bradley Fixtures Corporation**,
Menomonee Falls, WI (US)

(72) Inventors: **Matthias Wieser**, Wendlingen (DE);
Pablo Bernal Ruesta, Stuttgart (DE);
Alexander Hoffart, Bindlach (DE);
Andreas Dimitriadis, Lorch (DE);
Cassandra Anne Schneider,
Oconomowoc, WI (US); **William L. Haas**,
Richfield, WI (US)

OTHER PUBLICATIONS

Murray, U.S. Appl. No. 29/520,743.
Murray, U.S. Appl. No. 29/528,444.
Murray, U.S. Appl. No. 29/559,402.
Wieser, U.S. Appl. No. 29/562,620.

* cited by examiner

(73) Assignee: **Bradley Fixtures Corporation**,
Menomonee Falls, WI (US)

Primary Examiner — Robert A Delehanty

(74) *Attorney, Agent, or Firm* — Boyle Fredrickson, S.C.

(**) Term: **15 Years**

(57) **CLAIM**

(21) Appl. No.: **29/572,721**

The ornamental design for a lavatory fixture with integrated faucet, soap dispenser, and hand dryer, substantially as shown and described.

(22) Filed: **Jul. 29, 2016**

(51) **LOC (11) Cl.** **23-01**

(52) **U.S. Cl.**
USPC **D23/239**; D28/54.1; D6/542

(58) **Field of Classification Search**
USPC D23/238–241, 249–250, 255, 257;
D6/542–545; D28/54.1
CPC E03C 1/04; E03C 1/0401; E03C 1/0402;
E03C 1/0404; E03C 1/057; E03C 1/052;
F16K 31/602; F16K 31/605; F16K
31/607; A47K 10/48; A47K 5/1217
See application file for complete search history.

DESCRIPTION

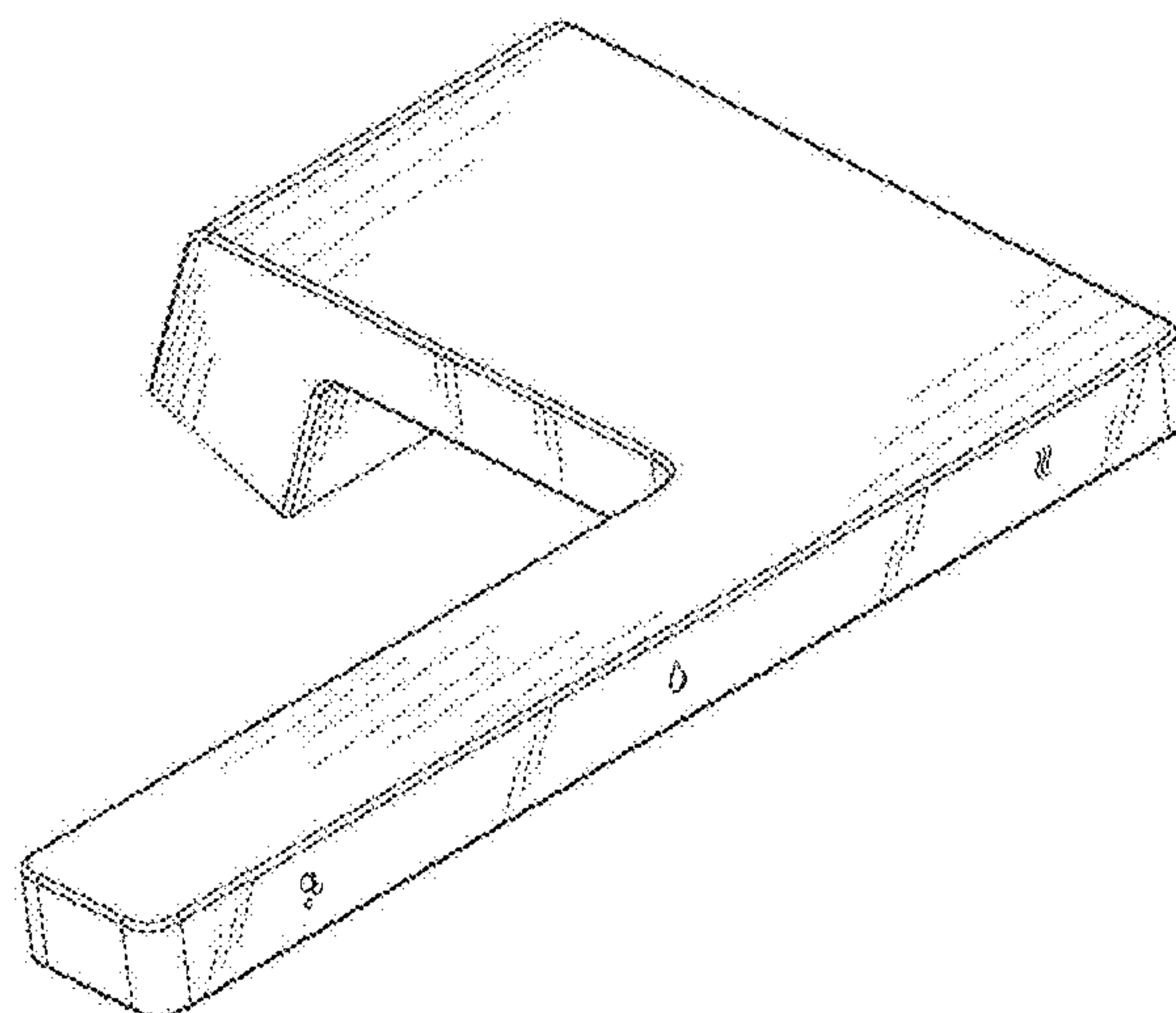
FIG. 1 is a raised perspective view of a lavatory fixture with a faucet, soap dispenser, and hand dryer all-in-one, according to an embodiment of the invention;
FIG. 2 is a front perspective view of the lavatory fixture of FIG. 1;
FIG. 3 is a rear view of the lavatory fixture of FIG. 1;
FIG. 4 is a front view of the lavatory fixture of FIG. 1;
FIG. 5 is a right side view of the lavatory fixture of FIG. 1;
FIG. 6 is a left side view of the lavatory fixture of FIG. 1;
FIG. 7 is a top view of the lavatory fixture of FIG. 1; and,
FIG. 8 is a bottom view of the lavatory fixture of FIG. 1.
Any broken lines represent environmental structure and form no part of the claimed design.

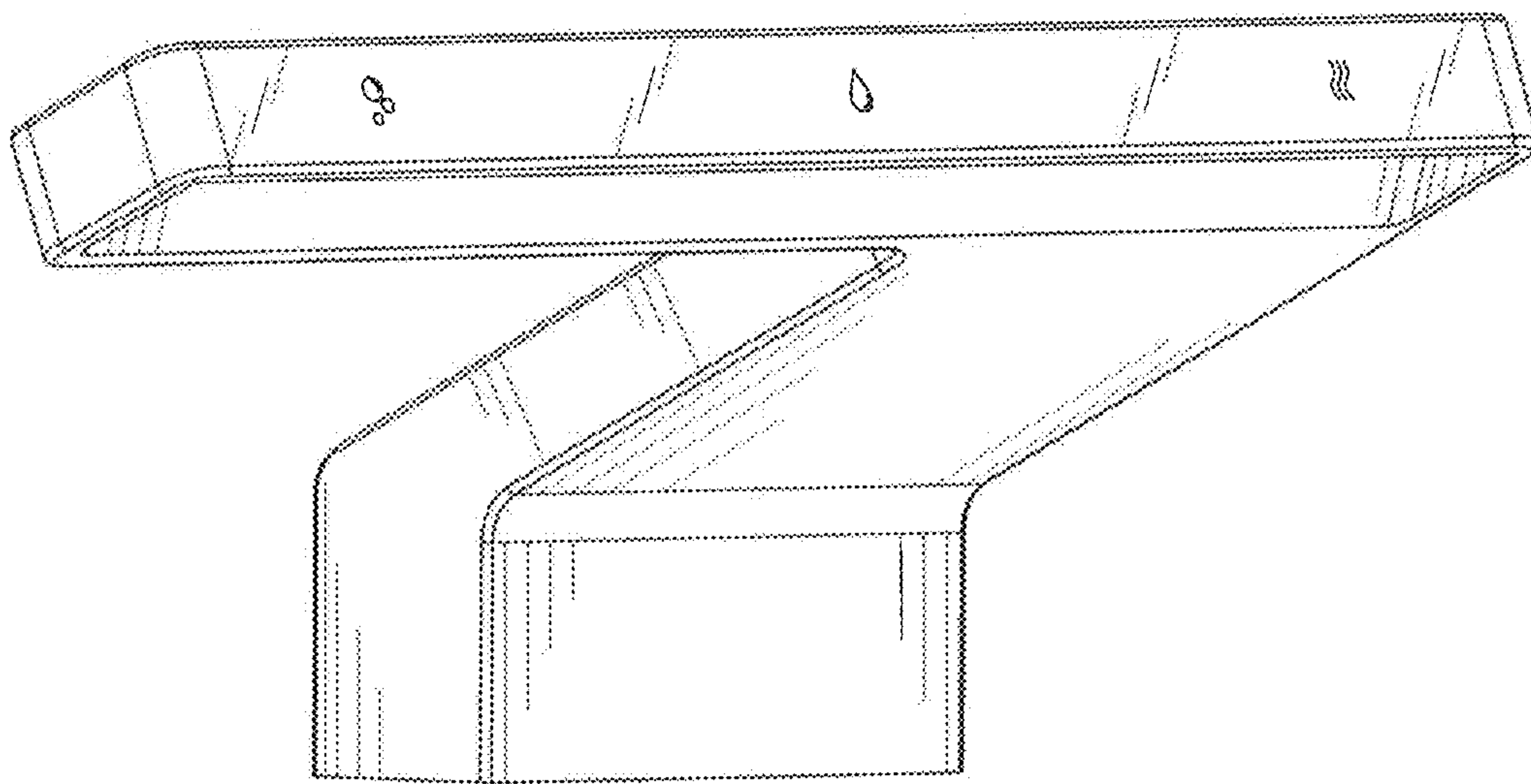
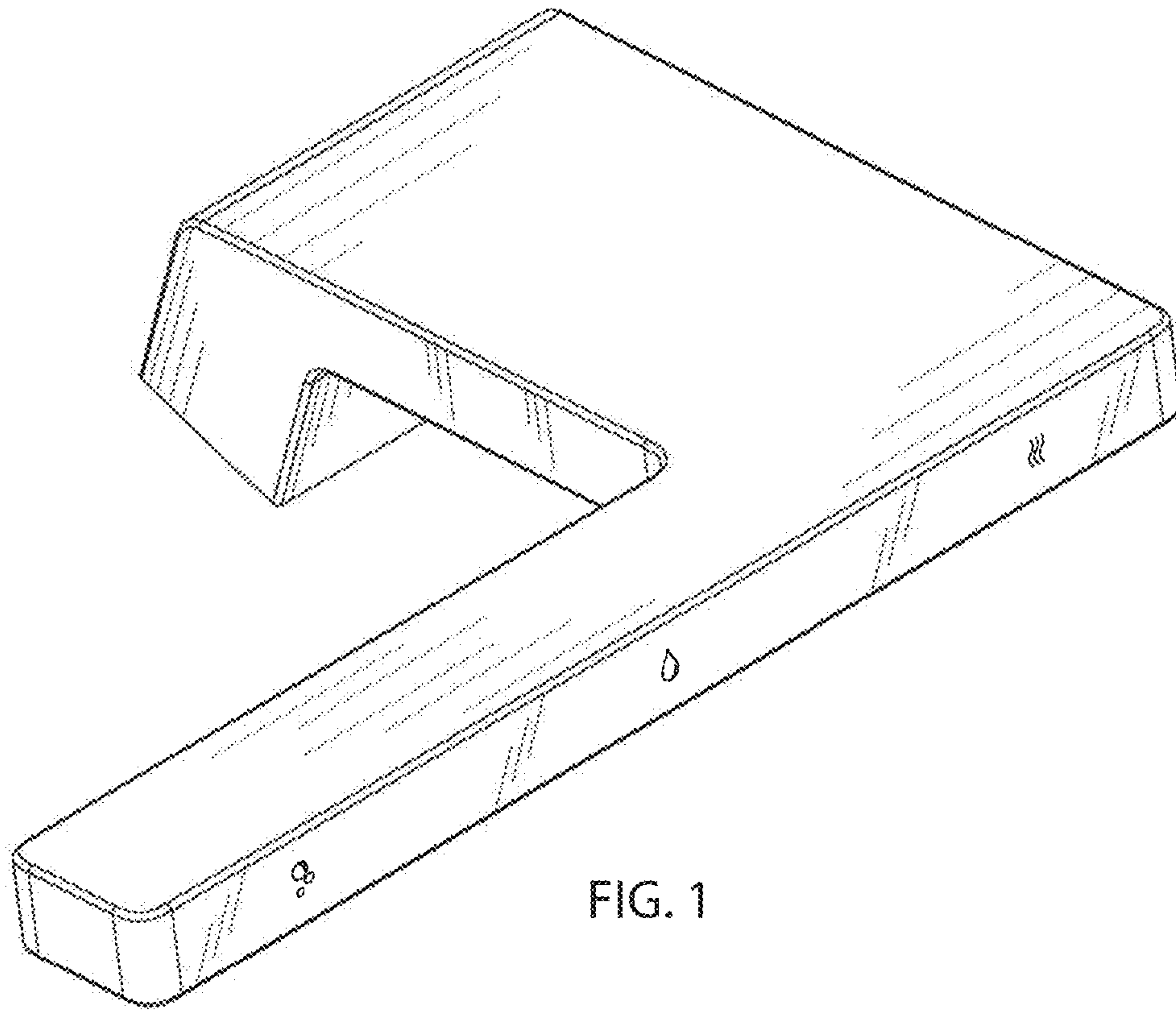
(56) **References Cited**

U.S. PATENT DOCUMENTS

D315,398 S * 3/1991 Strignano D23/241
D335,919 S * 5/1993 O'Connell D23/255

1 Claim, 4 Drawing Sheets





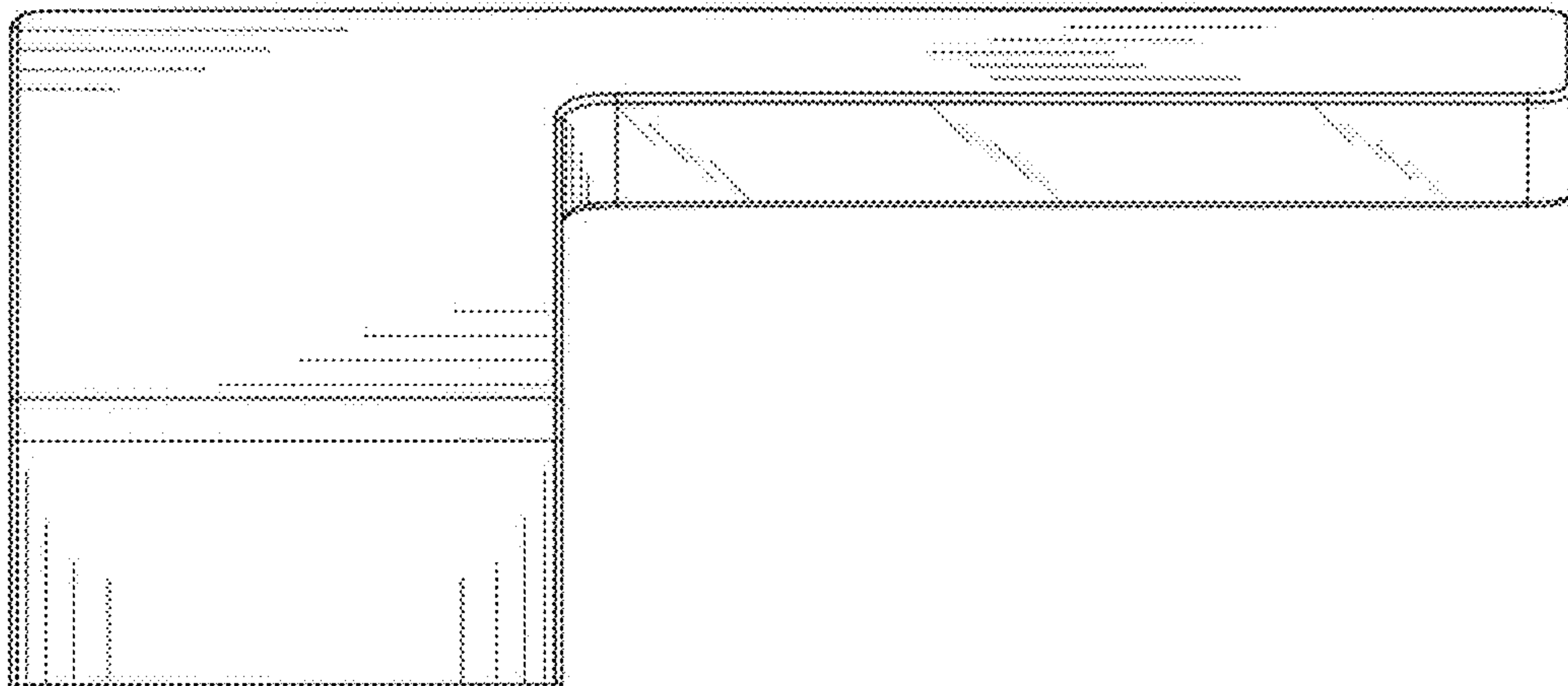


FIG. 3

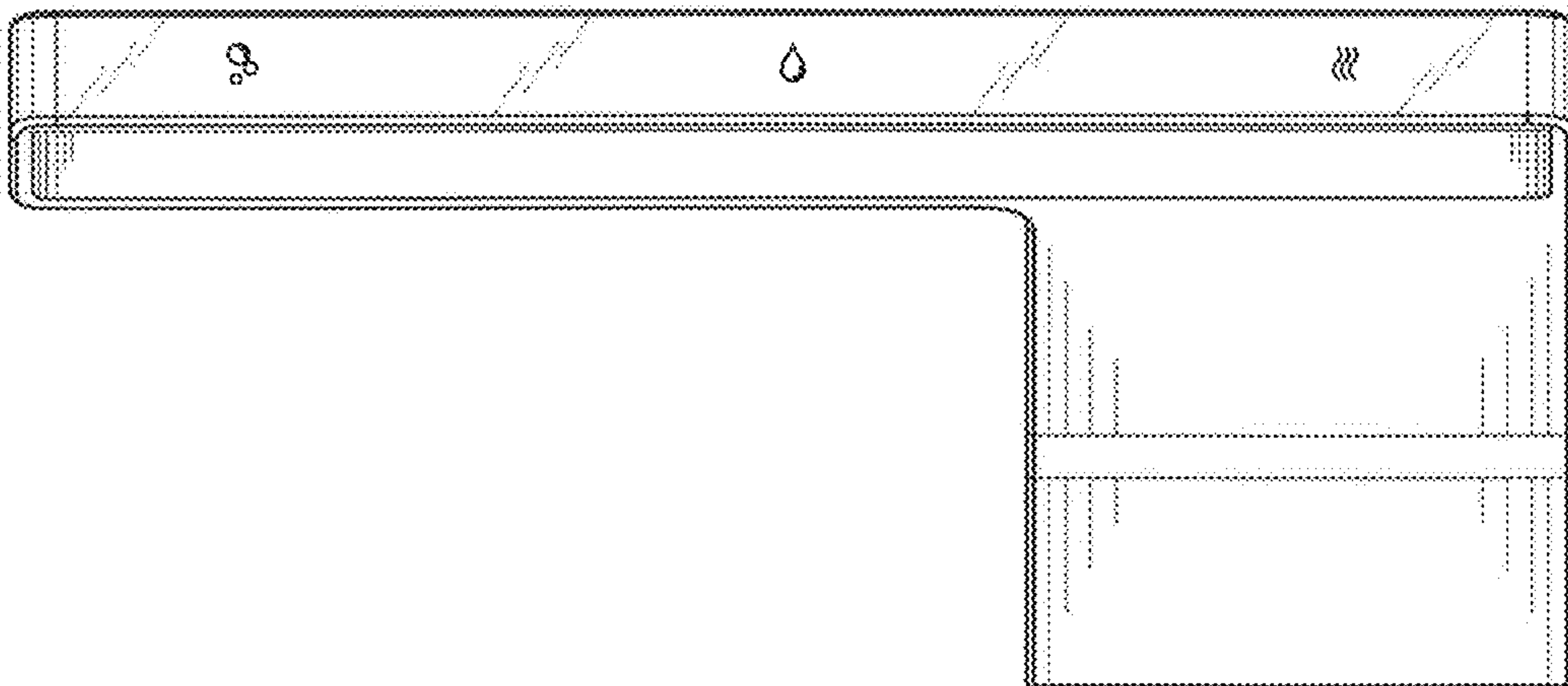


FIG. 4

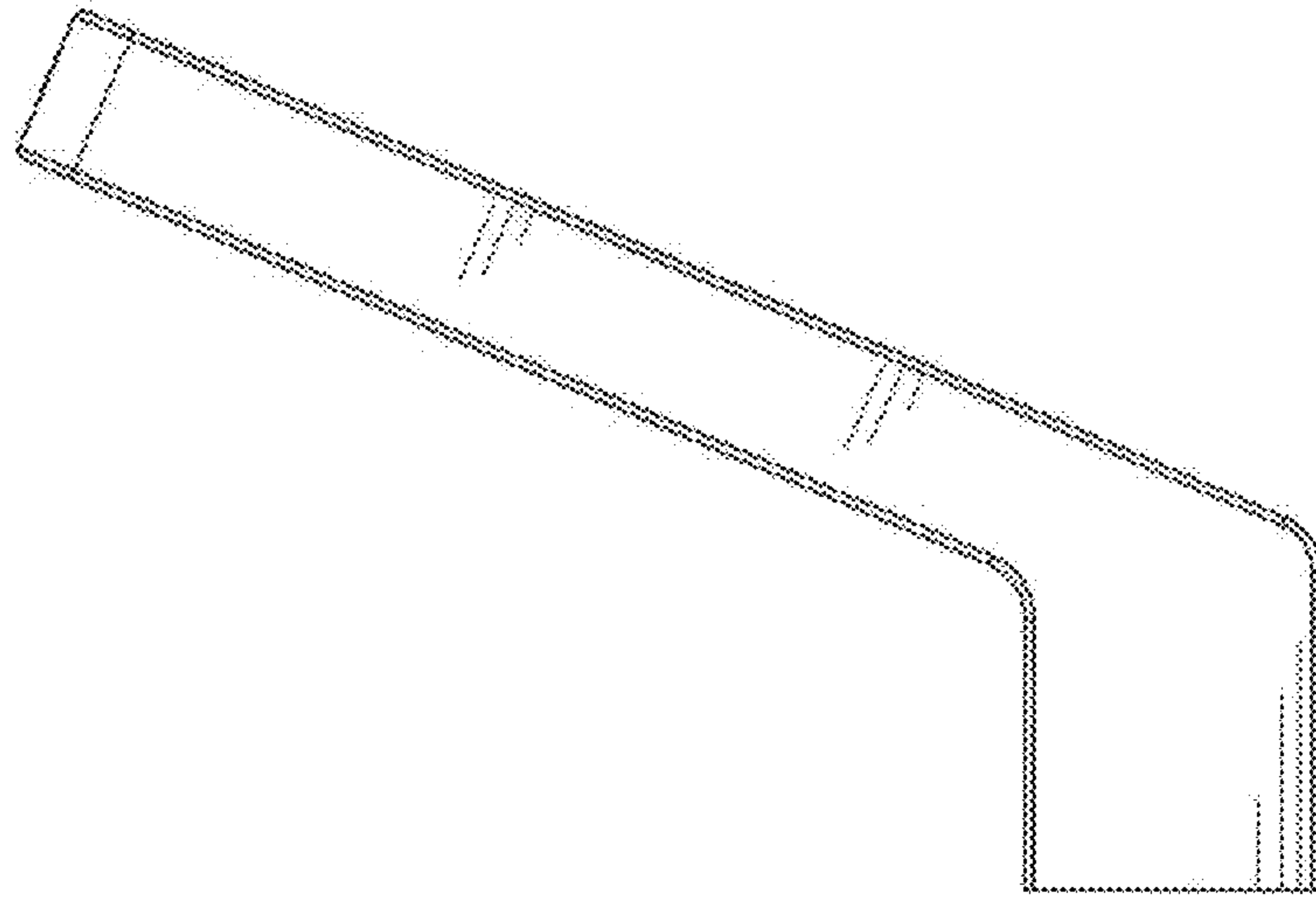


FIG. 5

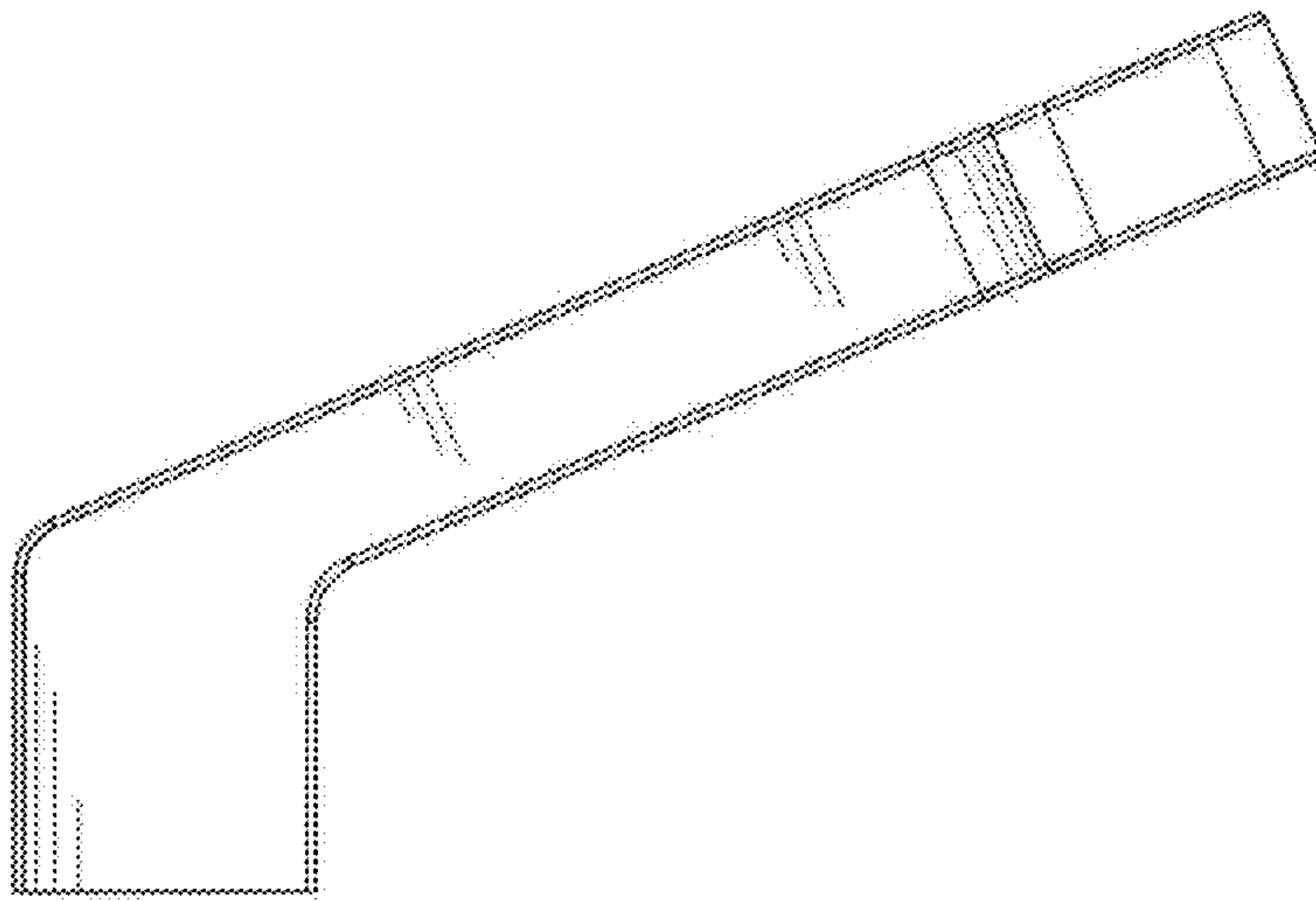


FIG. 6

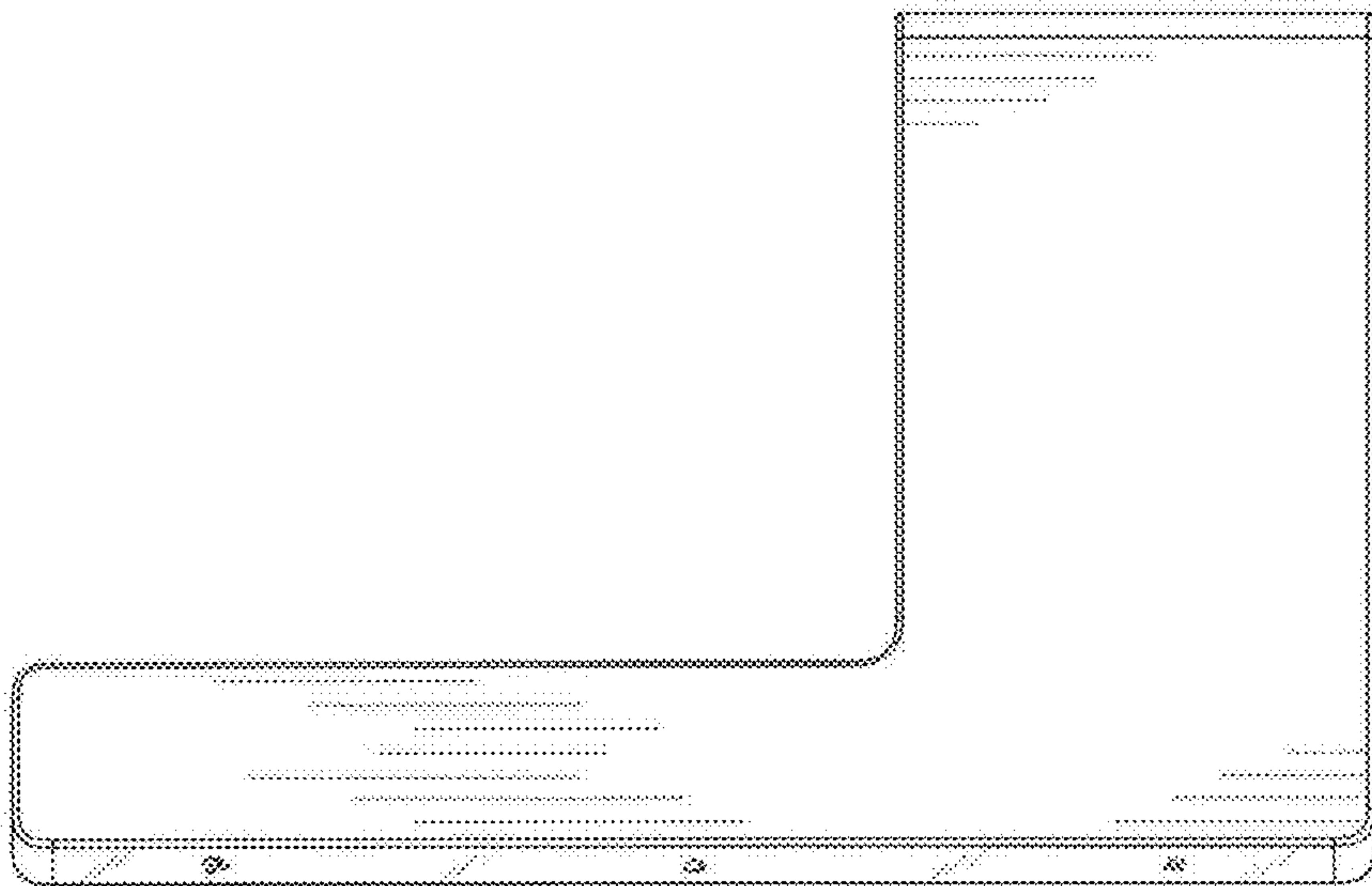


FIG. 7

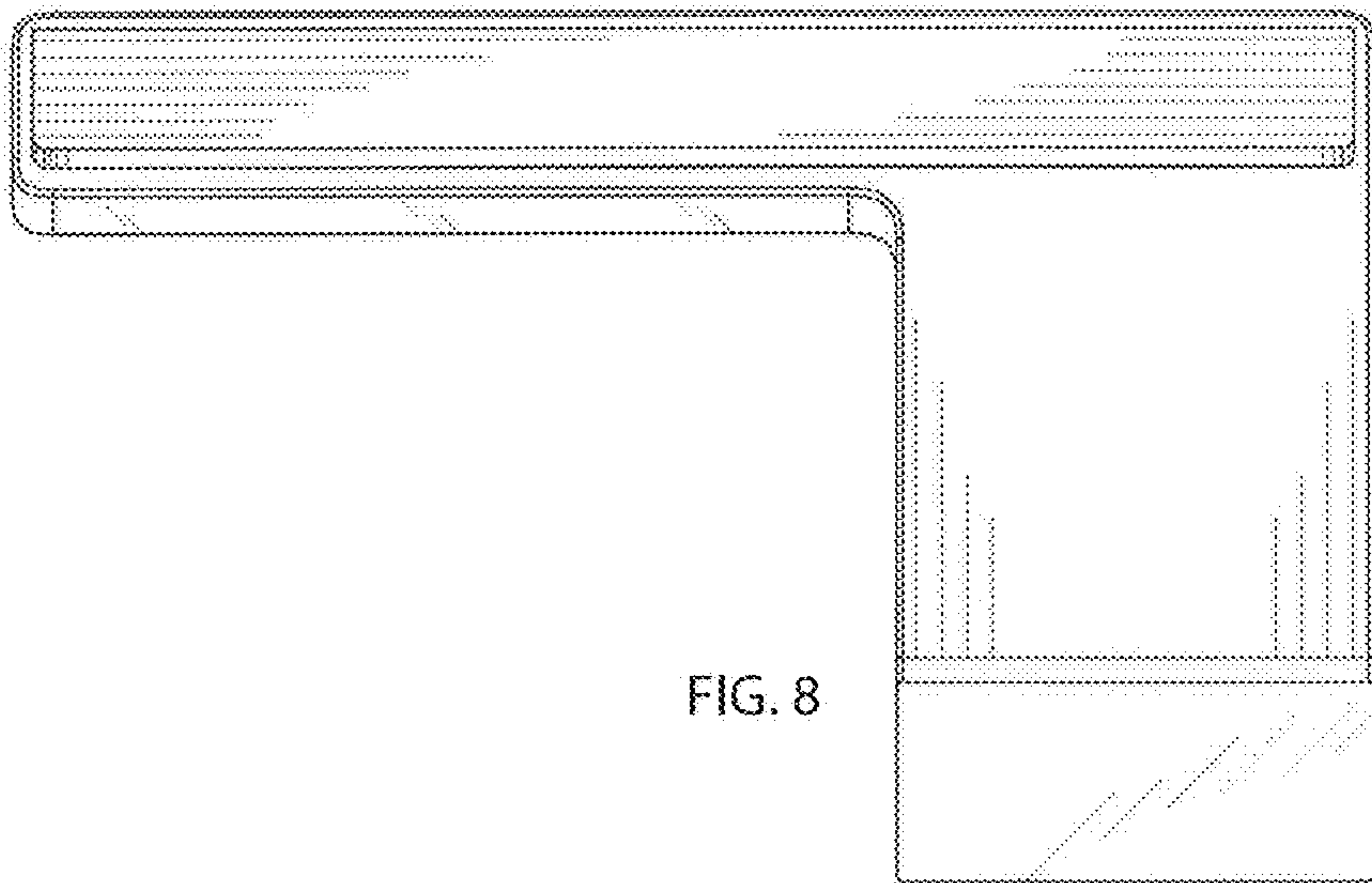


FIG. 8