



US00D811533S

(12) **United States Design Patent**  
**Schoenherr et al.**

(10) **Patent No.:** **US D811,533 S**  
(45) **Date of Patent:** **\*\* Feb. 27, 2018**

(54) **FAUCET**  
(71) Applicant: **HANSGROHE SE**, Schiltach (DE)  
(72) Inventors: **Tom Schoenherr**, Stuttgart (DE);  
**Andreas Diefenbach**,  
Ludwigsburg-Oßweil (DE)  
(73) Assignee: **Hansgrohe SE**, Schiltach (DE)  
(\*\*) Term: **15 Years**  
(21) Appl. No.: **29/588,093**  
(22) Filed: **Dec. 19, 2016**

D585,960 S \* 2/2009 Ko ..... D23/238  
D723,664 S 3/2015 Pony  
D737,938 S \* 9/2015 Schoenherr ..... D23/242  
D757,220 S \* 5/2016 Schoenherr ..... D23/238

**FOREIGN PATENT DOCUMENTS**

EM 001179832-0004 11/2009  
EM 002309880-0001 9/2013  
EM 002498519-0001 7/2014  
EM 002511337-0002 7/2014  
EM 002528125-0001 8/2014  
EM 002694422-0001 5/2015  
IR DM/080078 1/2013

\* cited by examiner

*Primary Examiner* — Robert A Delehanty

(74) *Attorney, Agent, or Firm* — Lora J. Graentzdoerffer

(30) **Foreign Application Priority Data**

Jun. 20, 2016 (EM) ..... 003229863-0015

(51) **LOC (11) Cl.** ..... **23-01**

(52) **U.S. Cl.**  
USPC ..... **D23/238**

(58) **Field of Classification Search**  
USPC ..... D23/238–243, 249–250, 252, 254–255,  
D23/257; D8/307–308  
CPC ..... Y10T 137/9464  
See application file for complete search history.

(56) **References Cited**

**U.S. PATENT DOCUMENTS**

D481,445 S \* 10/2003 Haug ..... D23/238  
D517,650 S \* 3/2006 Shieh ..... D23/238

(57) **CLAIM**

The ornamental design for a faucet, as shown and described.

**DESCRIPTION**

FIG. 1 is a perspective view;  
FIG. 2 is a front elevation view;  
FIG. 3 is a rear elevation view;  
FIG. 4 is a right side elevation view;  
FIG. 5 is a left side elevation view;  
FIG. 6 is a top plan view; and,  
FIG. 7 is a bottom plan view.

The broken lines indicate portions of the faucet that form no part of the claimed design.

**1 Claim, 7 Drawing Sheets**

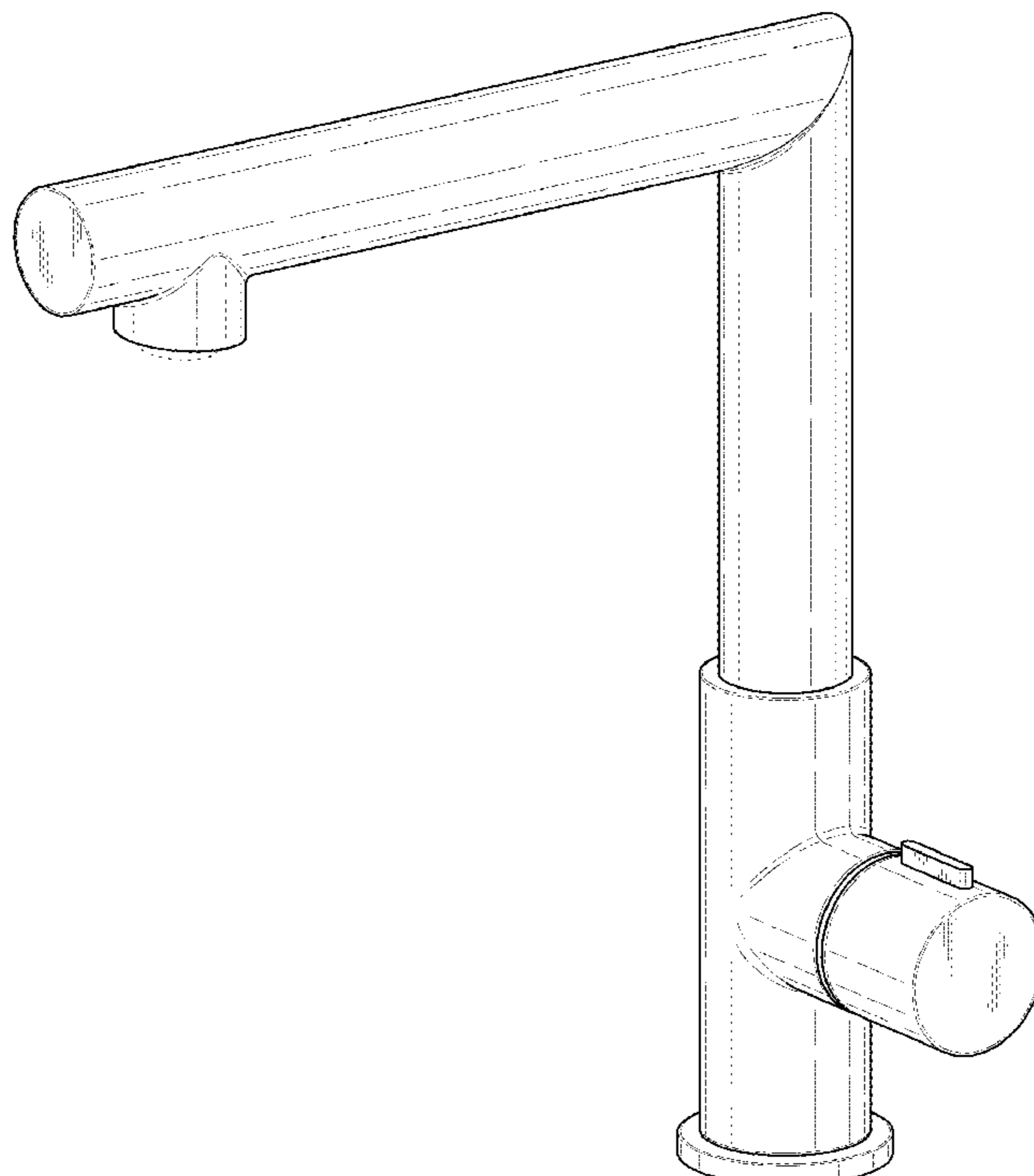


FIG. 1

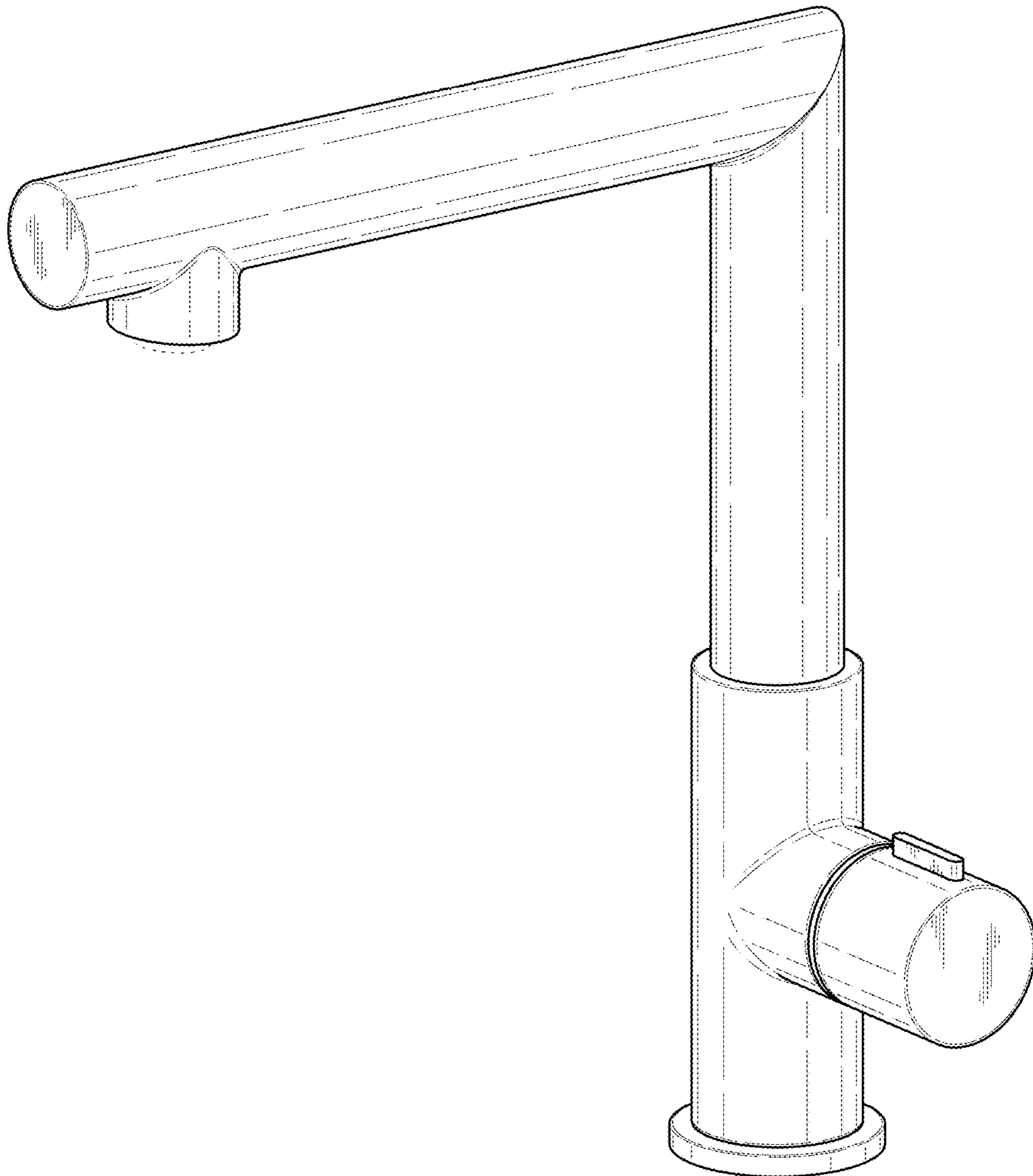


FIG. 2

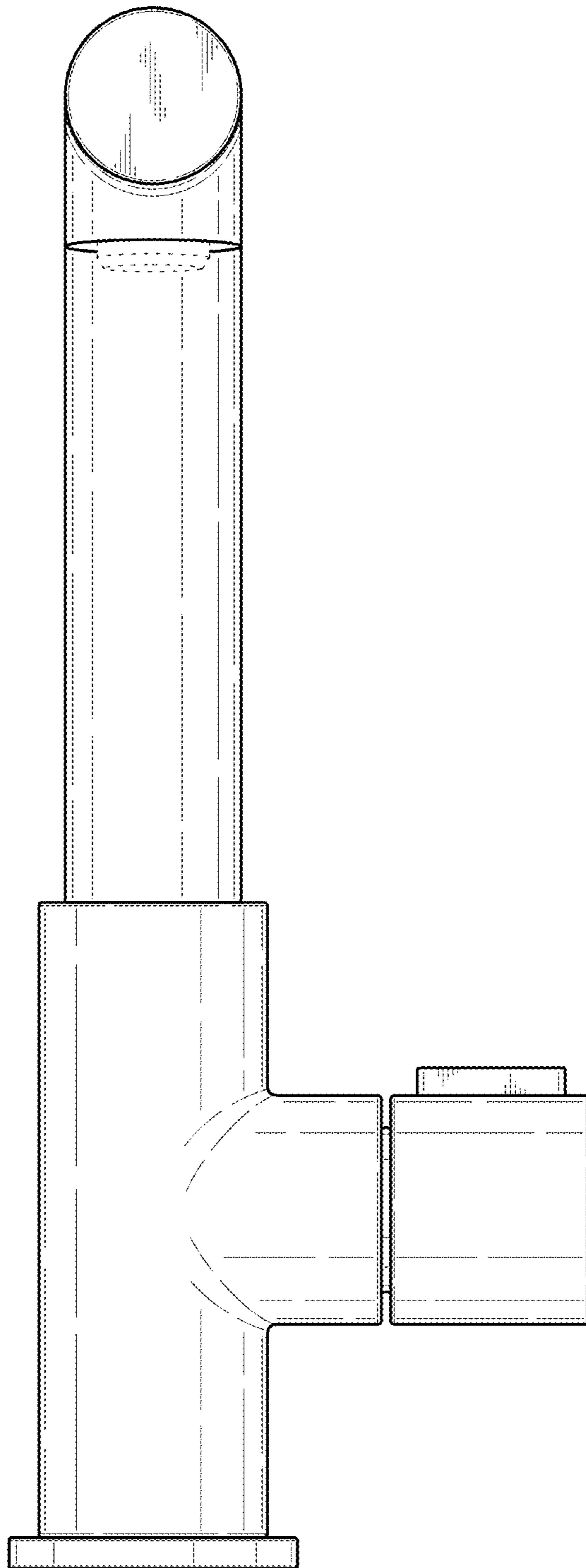


FIG. 3

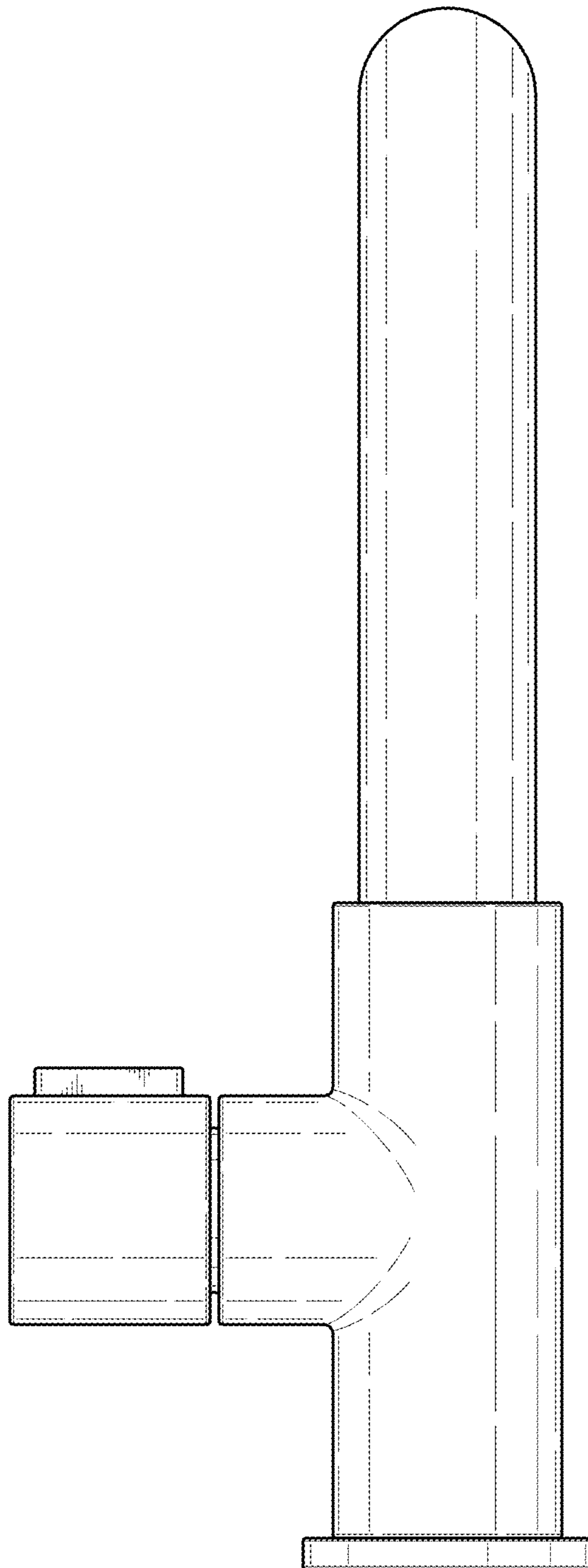


FIG. 4

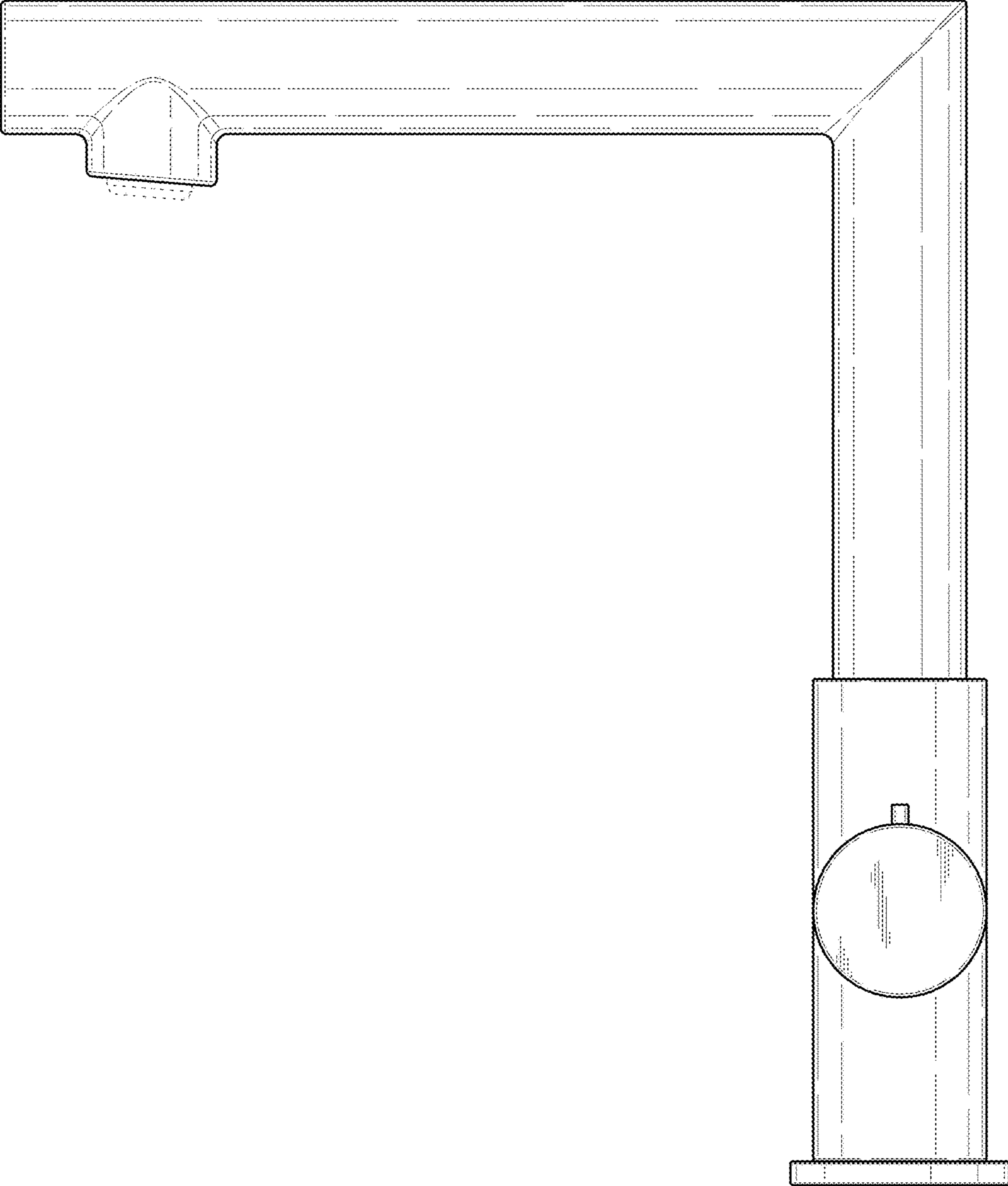


FIG. 5

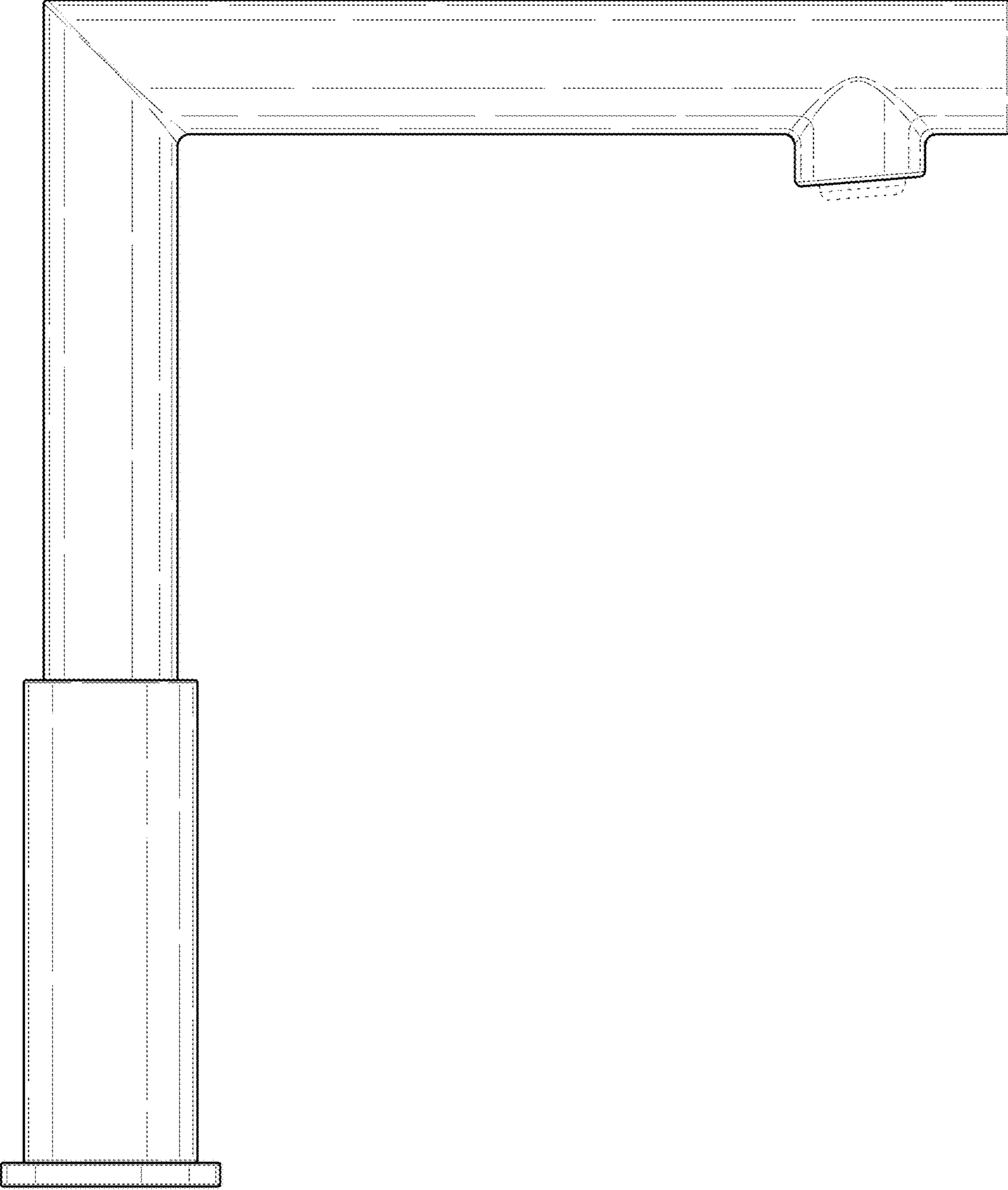


FIG. 6

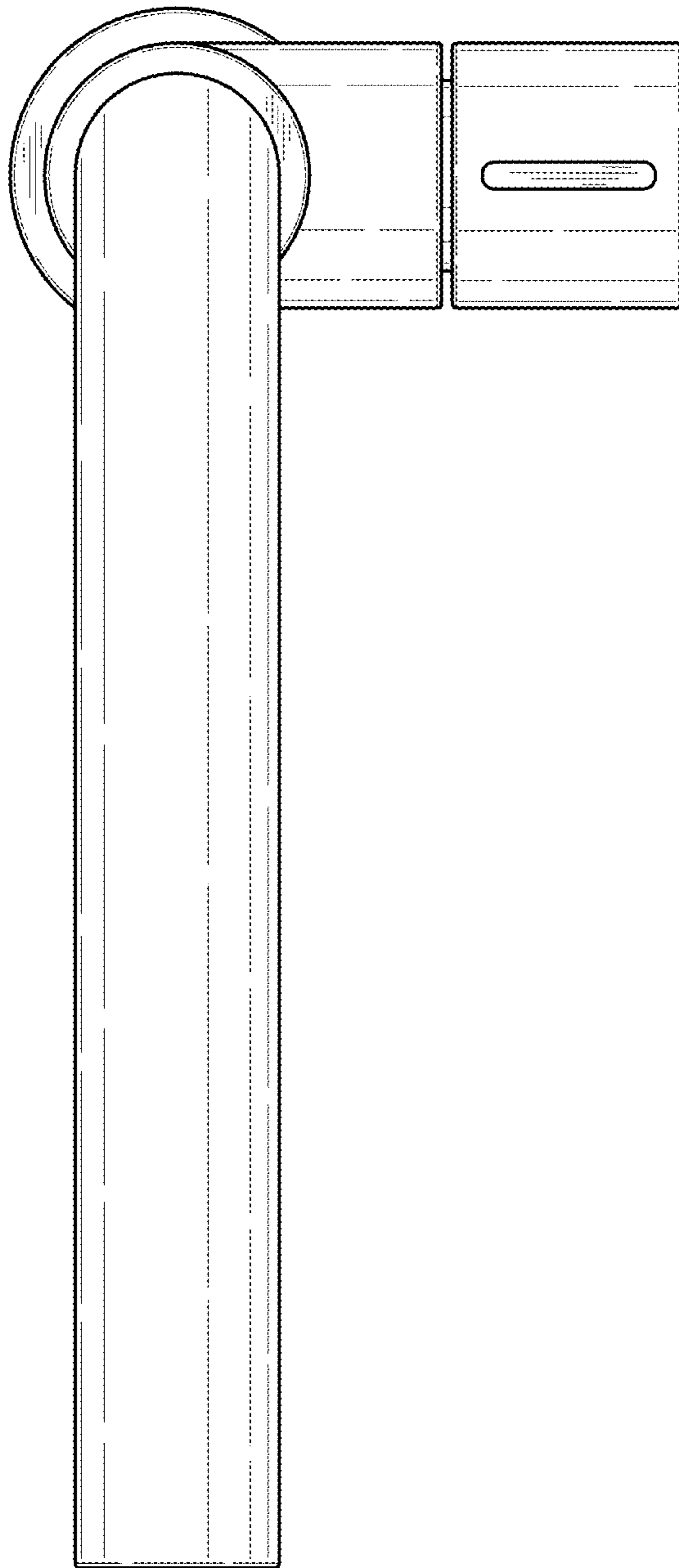


FIG. 7

