



US00D811532S

(12) **United States Design Patent** (10) **Patent No.:** **US D811,532 S**
Schoenherr et al. (45) **Date of Patent:** **** Feb. 27, 2018**

(54) **FAUCET**
(71) Applicant: **HANSGROHE SE**, Schiltach (DE)
(72) Inventors: **Tom Schoenherr**, Stuttgart (DE);
Andreas Diefenbach,
Ludwigsburg-Oßweil (DE)
(73) Assignee: **Hansgrohe SE**, Schiltach (DE)
(**) Term: **15 Years**
(21) Appl. No.: **29/587,942**
(22) Filed: **Dec. 16, 2016**

D750,203 S * 2/2016 Flowers D23/238
D752,186 S * 3/2016 Schoenherr D23/255
D771,776 S * 11/2016 Schoenherr D23/239
2004/0050434 A1 * 3/2004 Chen E03C 1/0404
137/801

FOREIGN PATENT DOCUMENTS

EM 002266080-0003 7/2013
EM 002625244-0003 2/2015
EM 002625244-0005 2/2015

* cited by examiner

Primary Examiner — Robert A Delehanty
(74) *Attorney, Agent, or Firm* — Lora J. Graentzdoerffer

(30) **Foreign Application Priority Data**
Jun. 20, 2016 (EM) 003229863-0002
(51) **LOC (11) Cl.** **23-01**
(52) **U.S. Cl.**
USPC **D23/238**
(58) **Field of Classification Search**
USPC D23/238–243, 249–250, 252, 254–255,
D23/257; D8/307–308, 310
CPC Y10T 137/9464
See application file for complete search history.

(57) **CLAIM**

The ornamental design for a faucet, as shown and described.

DESCRIPTION

FIG. 1 is a perspective view;
FIG. 2 is a front elevation view;
FIG. 3 is a rear elevation view;
FIG. 4 is a side elevation view;
FIG. 5 is a top plan view; and,
FIG. 6 is a bottom plan view.
The broken lines indicate portions of the faucet that form no part of the claimed design.

(56) **References Cited**
U.S. PATENT DOCUMENTS
D636,062 S * 4/2011 Rubin D23/238
D694,366 S 11/2013 Hahn et al.

1 Claim, 6 Drawing Sheets

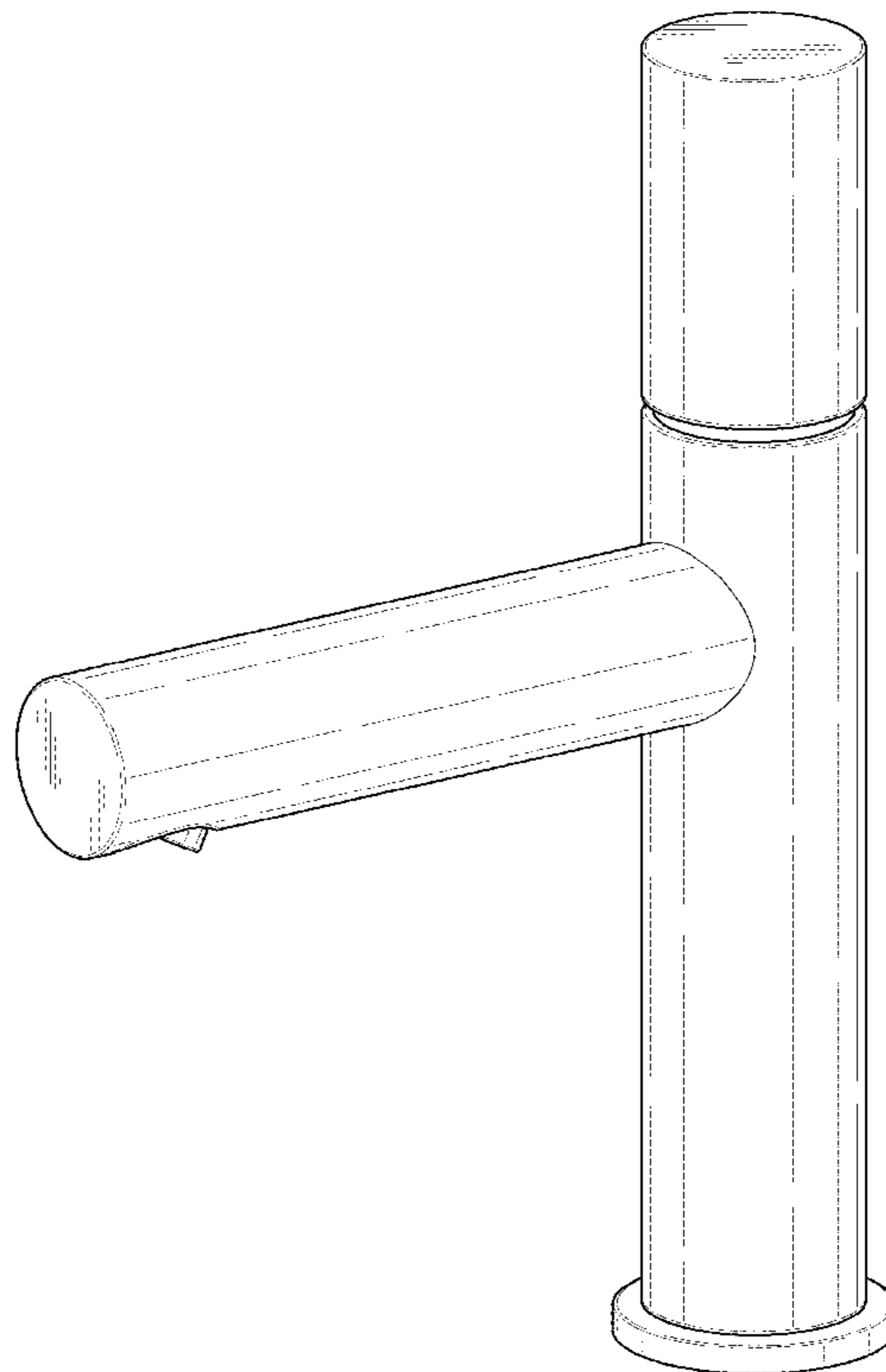


FIG. 1

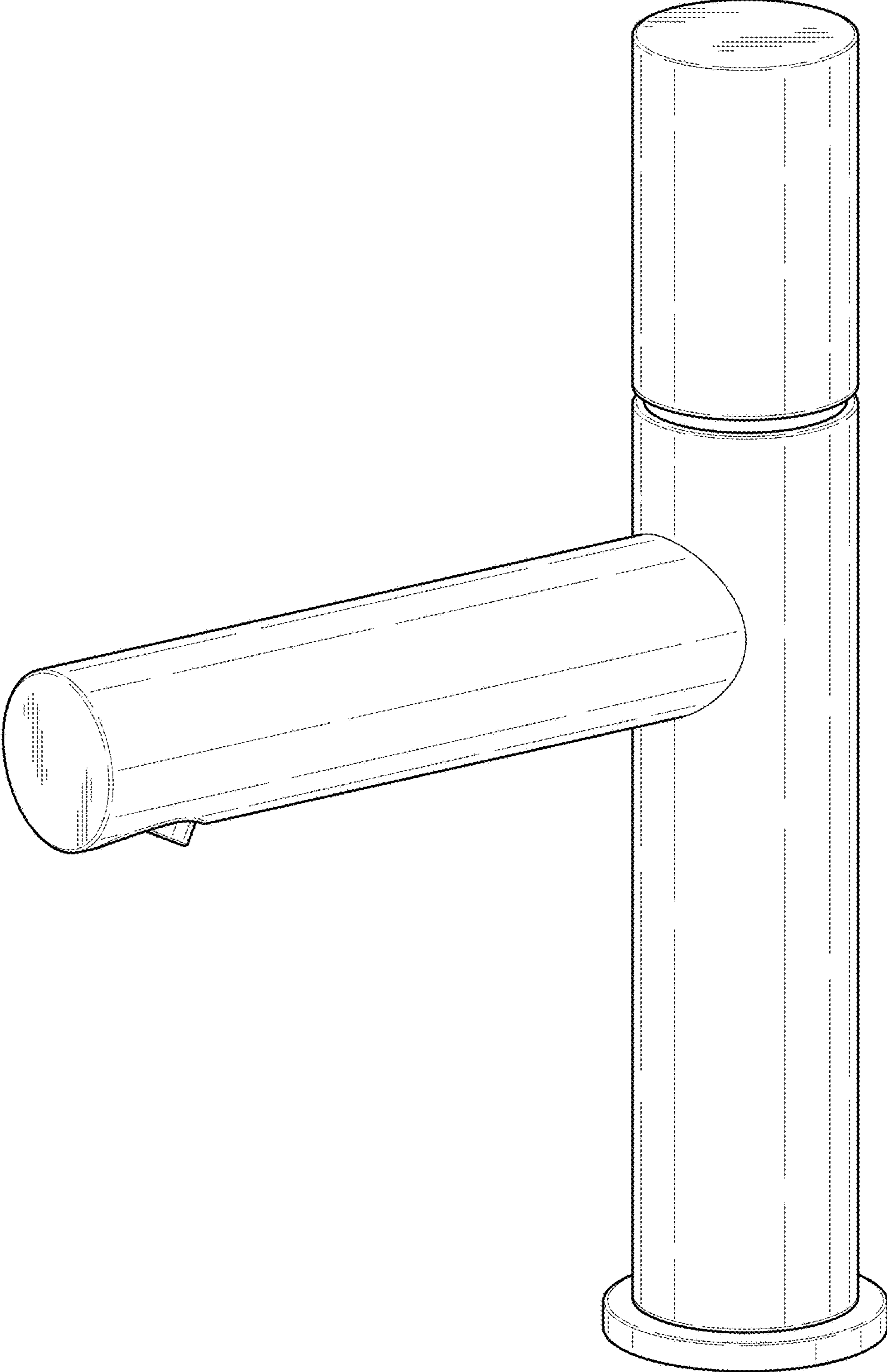


FIG. 2

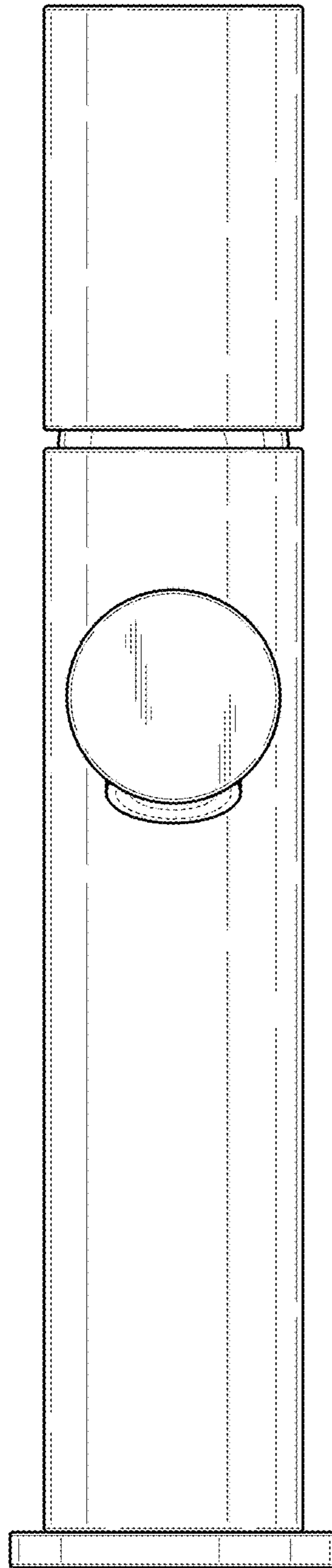


FIG. 3

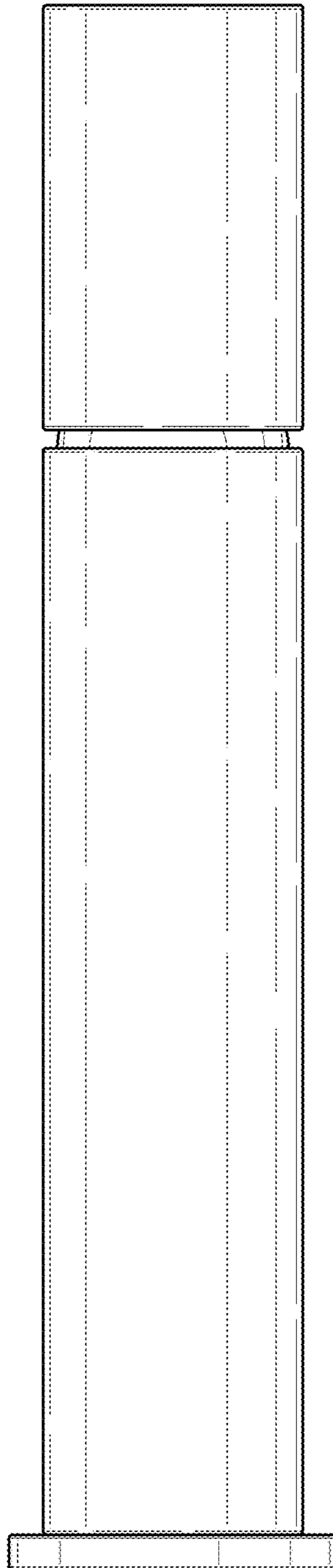


FIG. 4

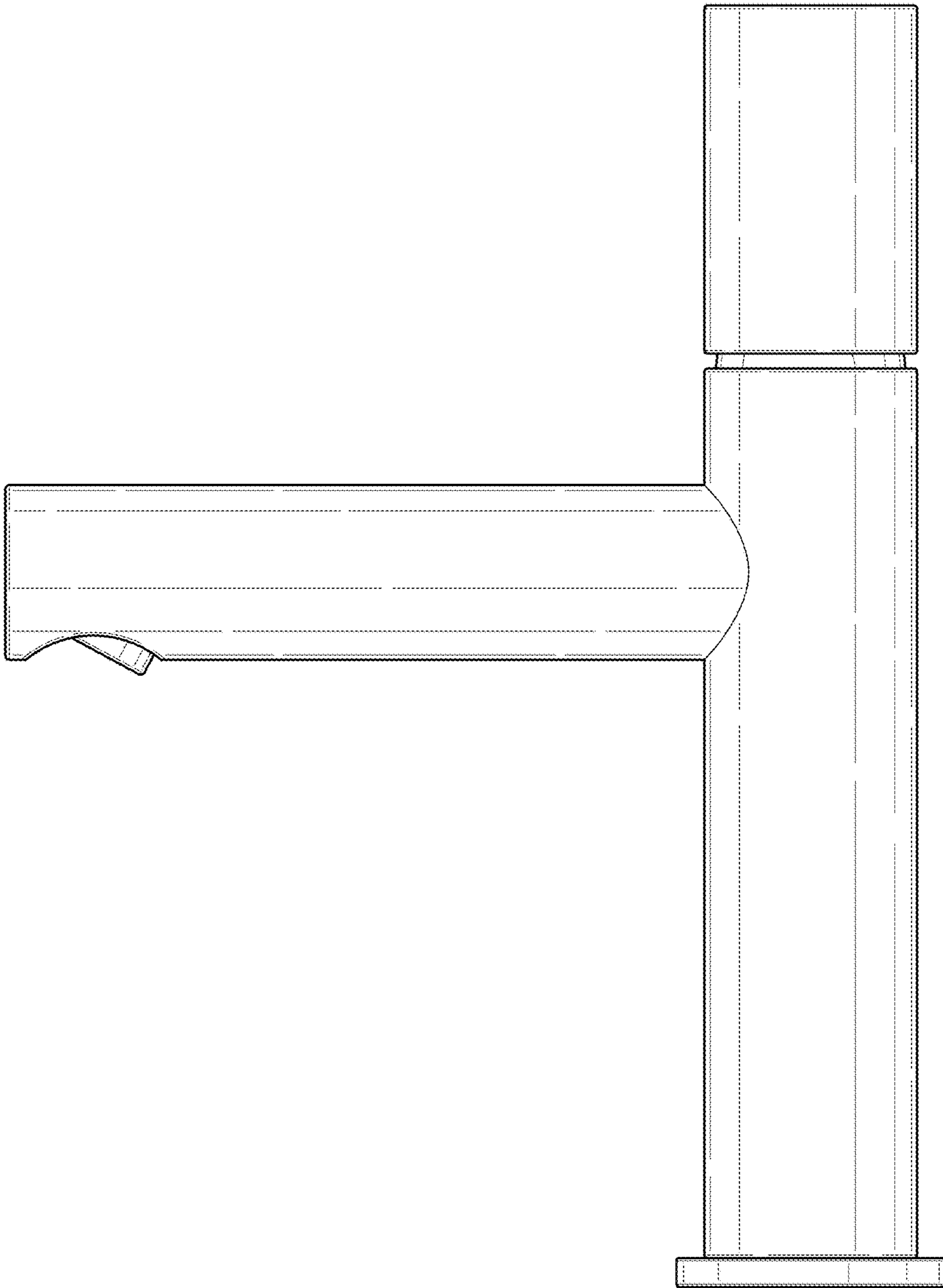


FIG. 5

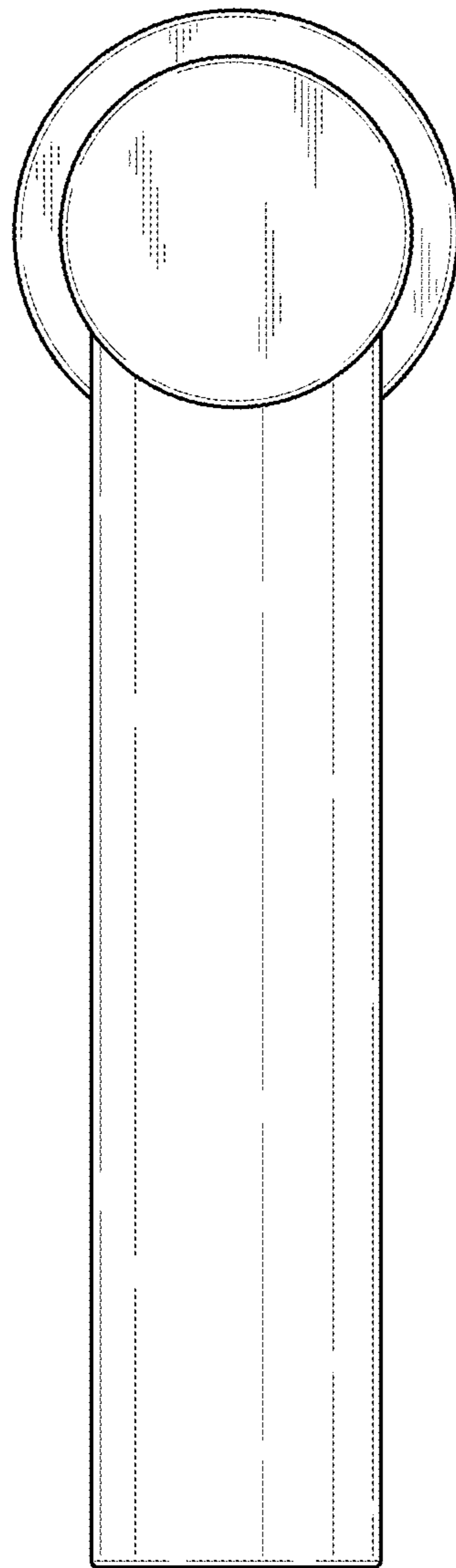


FIG. 6

