



US00D811531S

(12) **United States Design Patent**
Schoenherr et al.

(10) **Patent No.:** **US D811,531 S**

(45) **Date of Patent:** **** Feb. 27, 2018**

(54) **FAUCET**

(71) Applicant: **HANSGROHE SE**, Schiltach (DE)

(72) Inventors: **Tom Schoenherr**, Stuttgart (DE);
Andreas Diefenbach,
Ludwigsburg-Oßweil (DE)

(73) Assignee: **Hansgrohe SE**, Schiltach (DE)

(**) Term: **15 Years**

(21) Appl. No.: **29/587,609**

(22) Filed: **Dec. 14, 2016**

(30) **Foreign Application Priority Data**

Jun. 20, 2016 (EM) 003229848-0008

(51) **LOC (11) Cl.** **23-01**

(52) **U.S. Cl.**
USPC **D23/238**

(58) **Field of Classification Search**
USPC D23/238-243, 249-250, 252, 254-255,
D23/257; D8/307-308, 310
CPC E03C 1/04; E03C 1/0401; E03C 1/0402;
E03C 1/0404; E03C 1/0405; E03C
1/0412; F16K 31/602; F16K 31/605;
F16K 31/607; F16K 31/60
See application file for complete search history.

(56) **References Cited**

U.S. PATENT DOCUMENTS

D291,238 S * 8/1987 Haug D23/252
D331,450 S * 12/1992 Haug D23/252

D342,988 S * 1/1994 Jans D23/252
D441,840 S * 5/2001 Meylan D23/238
D473,632 S * 4/2003 Marshall D23/254
D492,754 S * 7/2004 Blattner D23/238
D535,360 S * 1/2007 Noth D23/238
D541,385 S * 4/2007 Haug D23/252
D582,009 S * 12/2008 Citterio D23/238
D636,065 S * 4/2011 Schoenherr D23/255
D673,652 S * 1/2013 Thomas D23/238
D704,304 S * 5/2014 Schoenherr D23/238

* cited by examiner

Primary Examiner — Robert A Delehanty

(74) *Attorney, Agent, or Firm* — Lora J. Graentzdoerffer

(57) **CLAIM**

The ornamental design for a faucet, as shown and described.

DESCRIPTION

FIG. 1 is a perspective view;
FIG. 2 is a front elevation view;
FIG. 3 is a rear elevation view;
FIG. 4 is a right side elevation view;
FIG. 5 is a left side elevation view;
FIG. 6 is a top plan view; and,
FIG. 7 is a bottom plan view.
The broken lines indicate portions of the faucet that form no part of the claimed design.

1 Claim, 7 Drawing Sheets

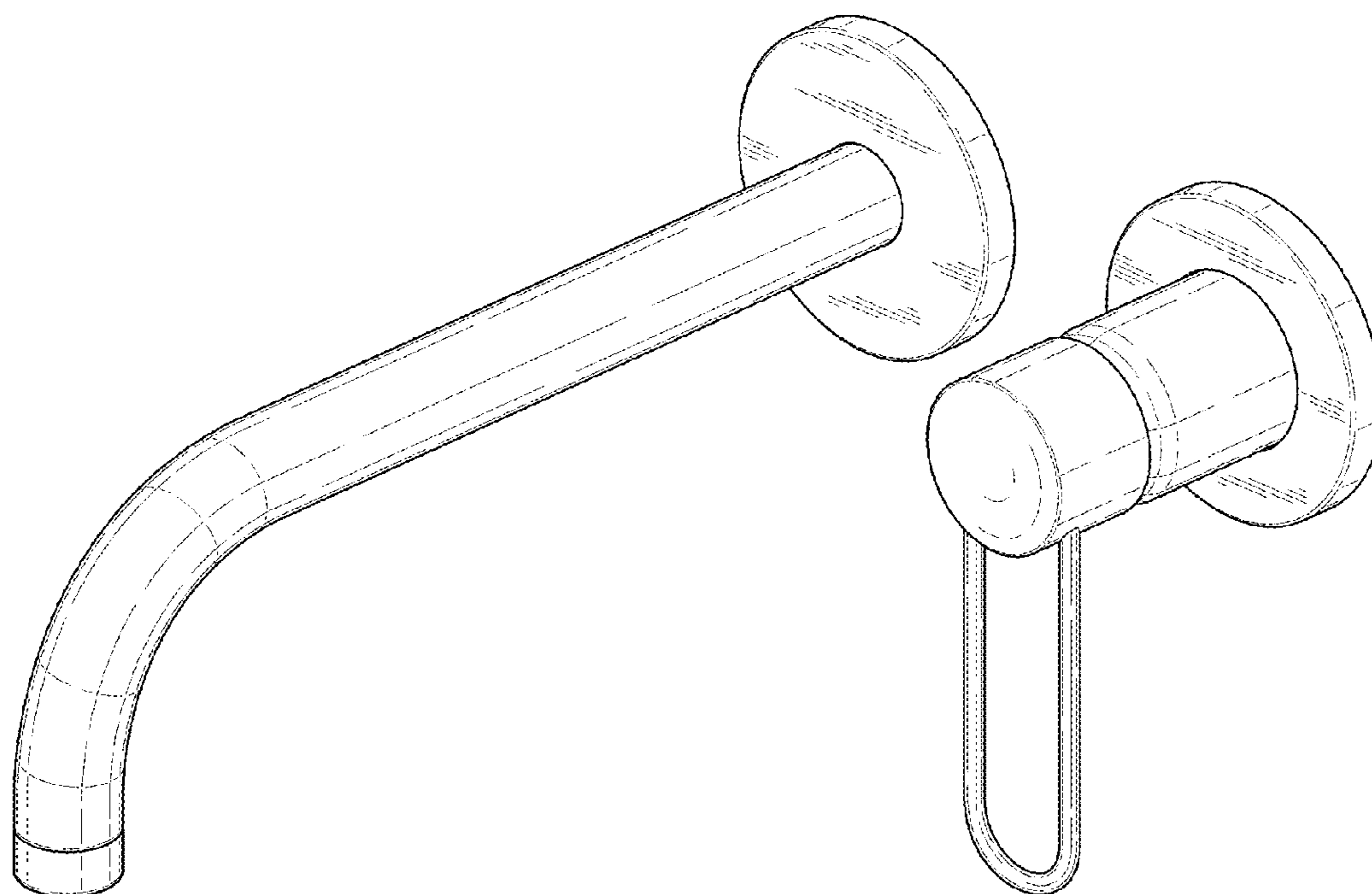


FIG. 1

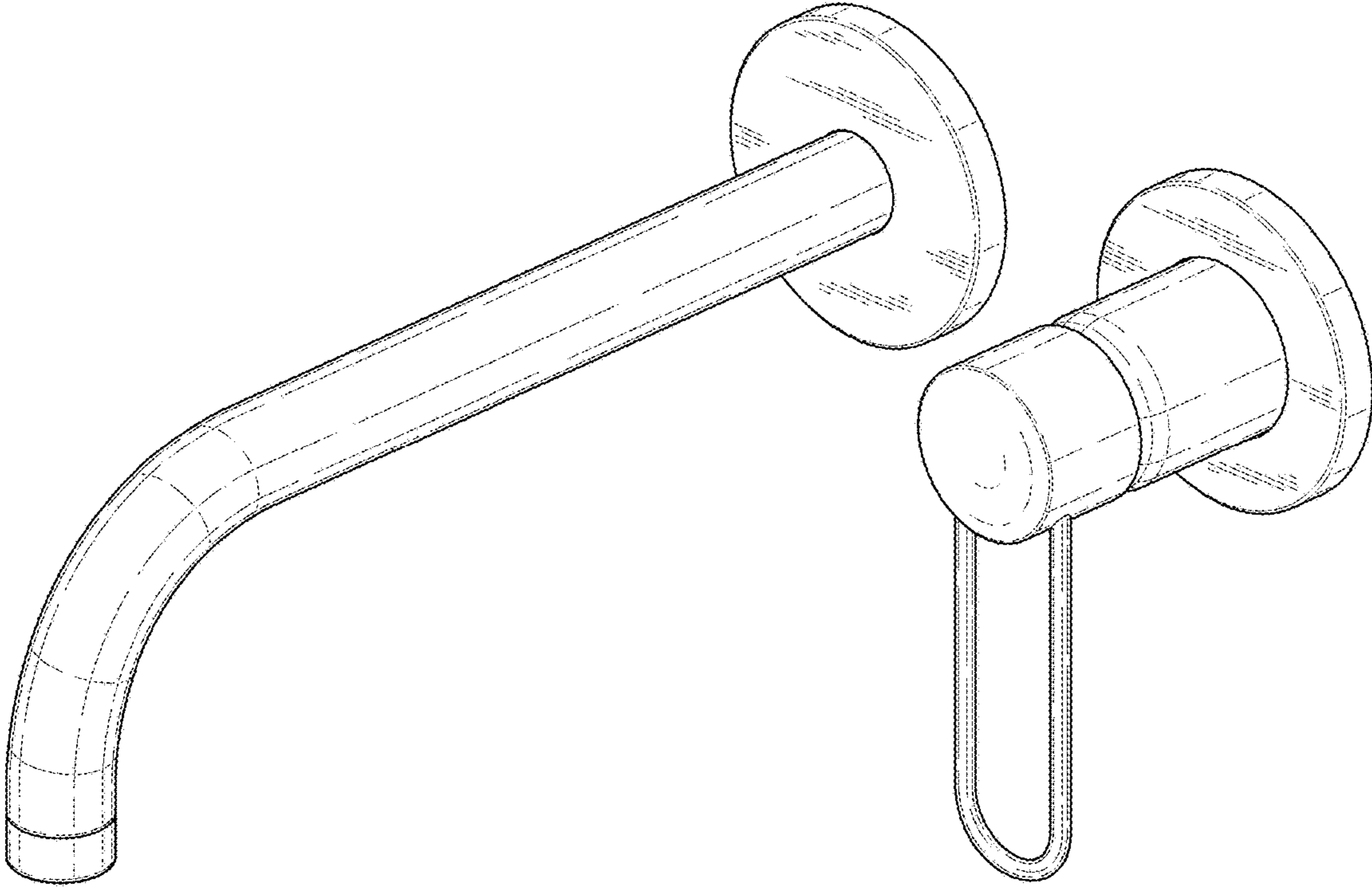


FIG. 2

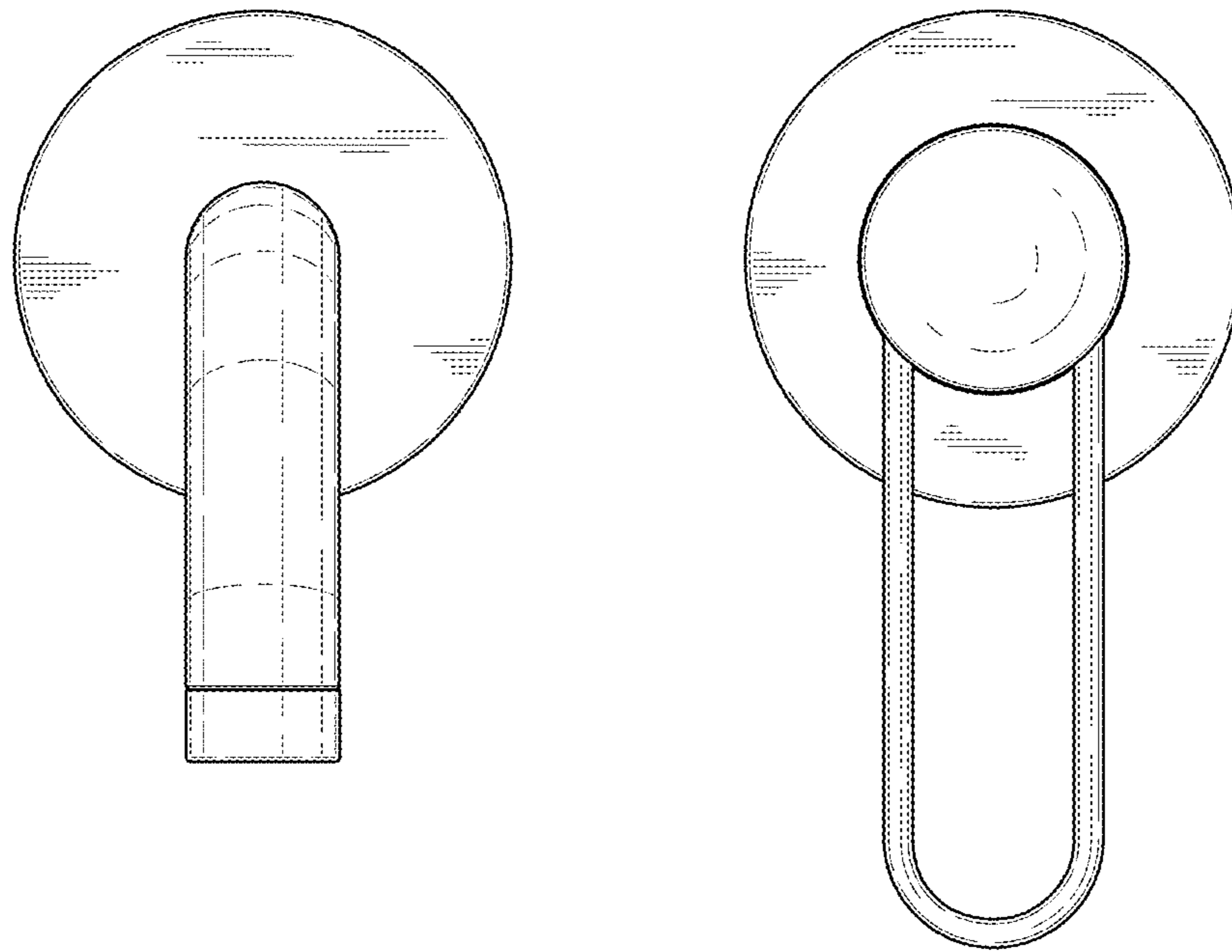


FIG. 3

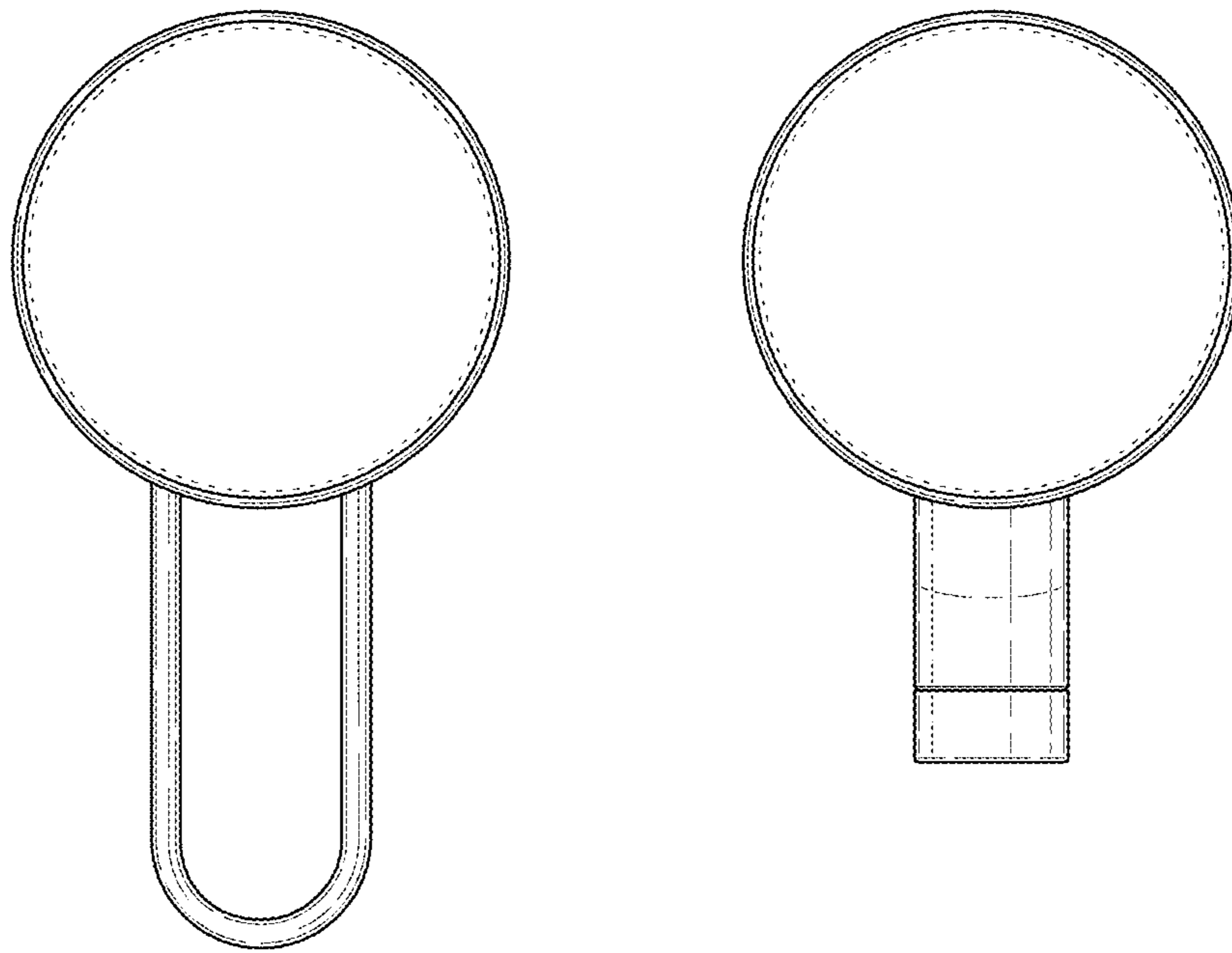


FIG. 4

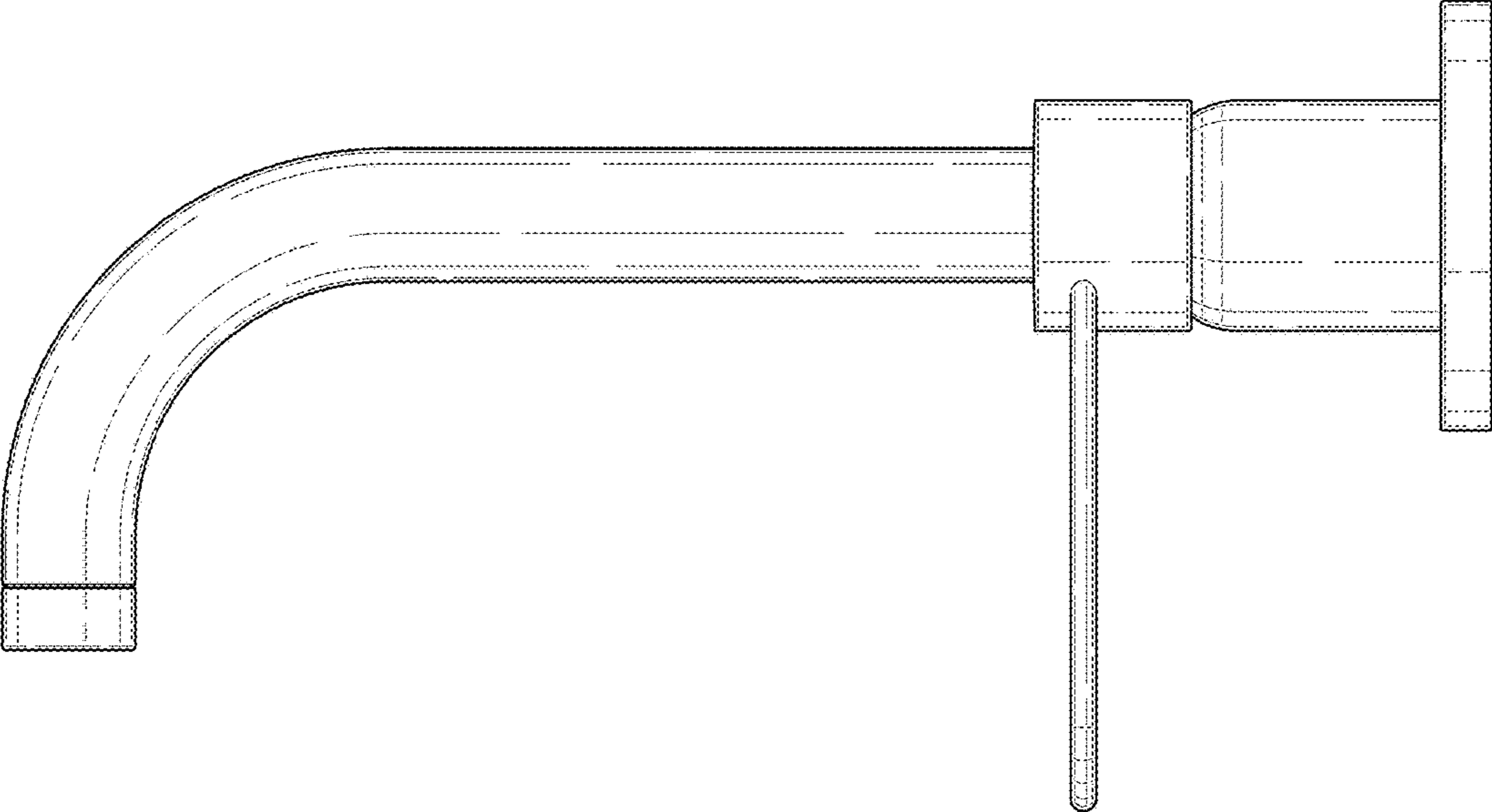


FIG. 5

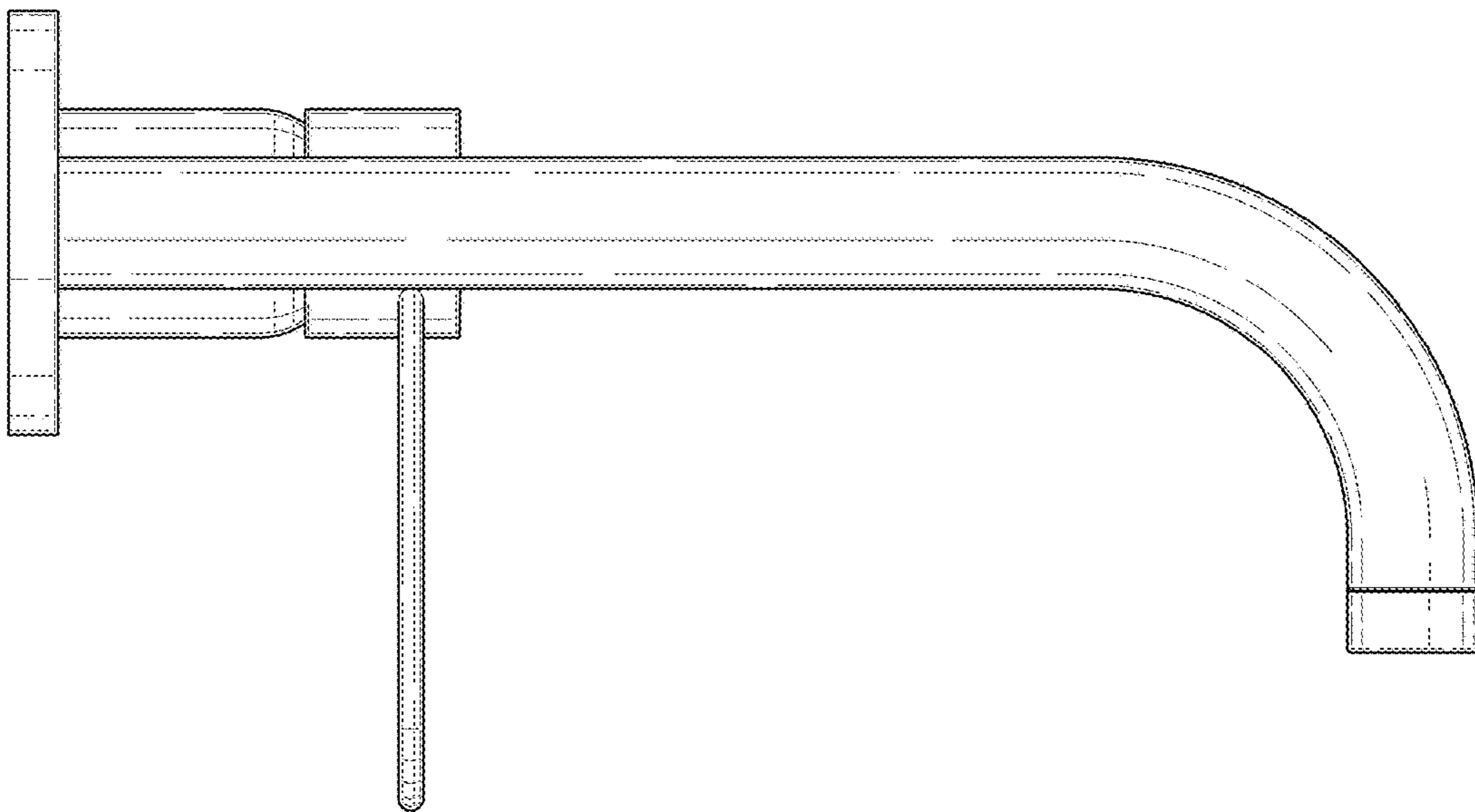


FIG. 6

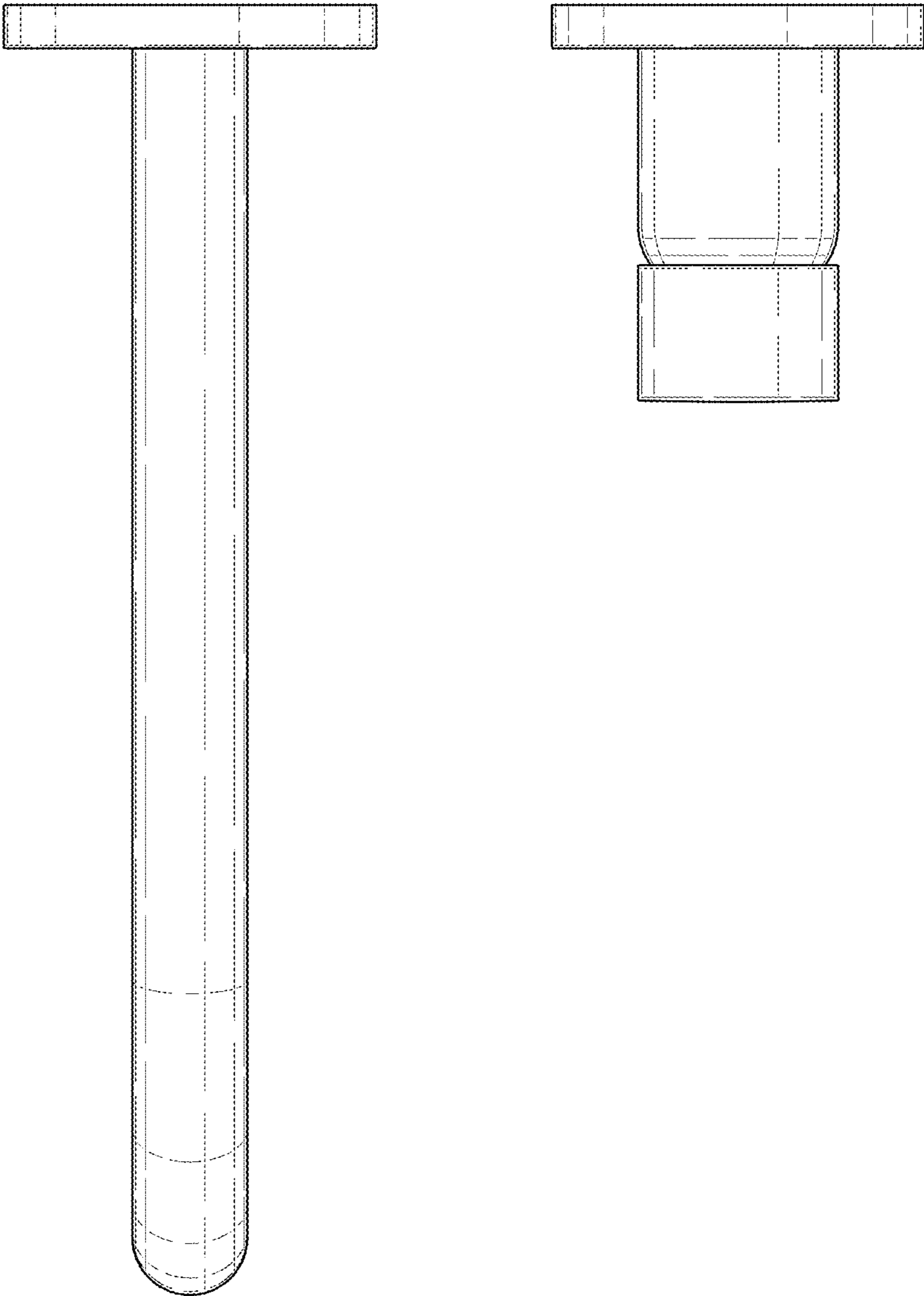


FIG. 7

