



US00D811530S

(12) **United States Design Patent** (10) **Patent No.:** **US D811,530 S**
Schoenherr et al. (45) **Date of Patent:** **** Feb. 27, 2018**

(54) **FAUCET**
(71) Applicant: **HANSGROHE SE**, Schiltach (DE)
(72) Inventors: **Tom Schoenherr**, Stuttgart (DE);
Andreas Diefenbach,
Ludwigsburg-Oßweil (DE)
(73) Assignee: **Hansgrohe SE**, Schiltach (DE)
(**) Term: **15 Years**
(21) Appl. No.: **29/587,604**
(22) Filed: **Dec. 14, 2016**

D342,988 S * 1/1994 Jans D23/252
D357,060 S * 4/1995 Haug D23/252
D514,199 S * 1/2006 Starck D23/238
D529,580 S * 10/2006 Shieh D23/238
D535,360 S * 1/2007 Noth D23/238
D541,385 S * 4/2007 Haug D23/252
D597,175 S * 7/2009 Kulig D23/238
D673,652 S * 1/2013 Thomas D23/238
D734,836 S * 7/2015 Flowers D23/239

* cited by examiner

Primary Examiner — Robert A Delehanty
(74) *Attorney, Agent, or Firm* — Lora J. Graentzdoerffer

(30) **Foreign Application Priority Data**
Jun. 20, 2016 (EM) 003229848-0007
(51) **LOC (11) Cl.** **23-01**
(52) **U.S. Cl.**
USPC **D23/238**
(58) **Field of Classification Search**
USPC D23/238–243, 249–250, 252, 254–255,
D23/257; D8/307–308, 310
CPC Y10T 137/9464
See application file for complete search history.

(57) **CLAIM**
The ornamental design for a faucet, as shown and described.

(56) **References Cited**
U.S. PATENT DOCUMENTS
D291,238 S * 8/1987 Haug D23/252
D331,450 S * 12/1992 Haug D23/252

DESCRIPTION
FIG. 1 is a perspective view;
FIG. 2 is a front elevation view;
FIG. 3 is a rear elevation view;
FIG. 4 is a side elevation view;
FIG. 5 is a top plan view; and,
FIG. 6 is a bottom plan view.
The broken lines indicate portions of the faucet that form no part of the claimed design.

1 Claim, 6 Drawing Sheets

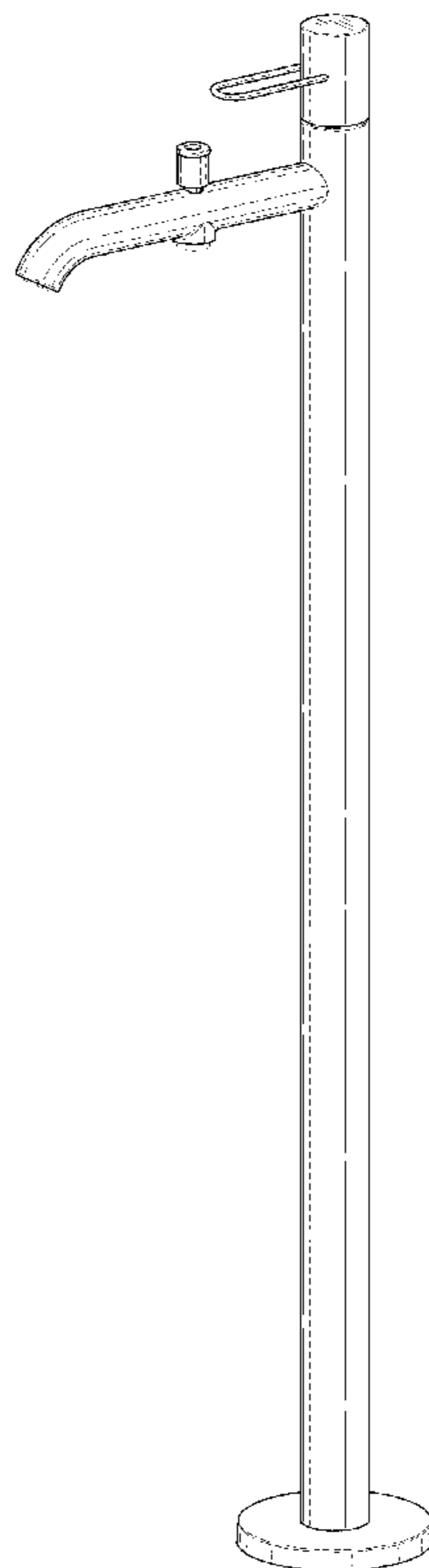


FIG. 1

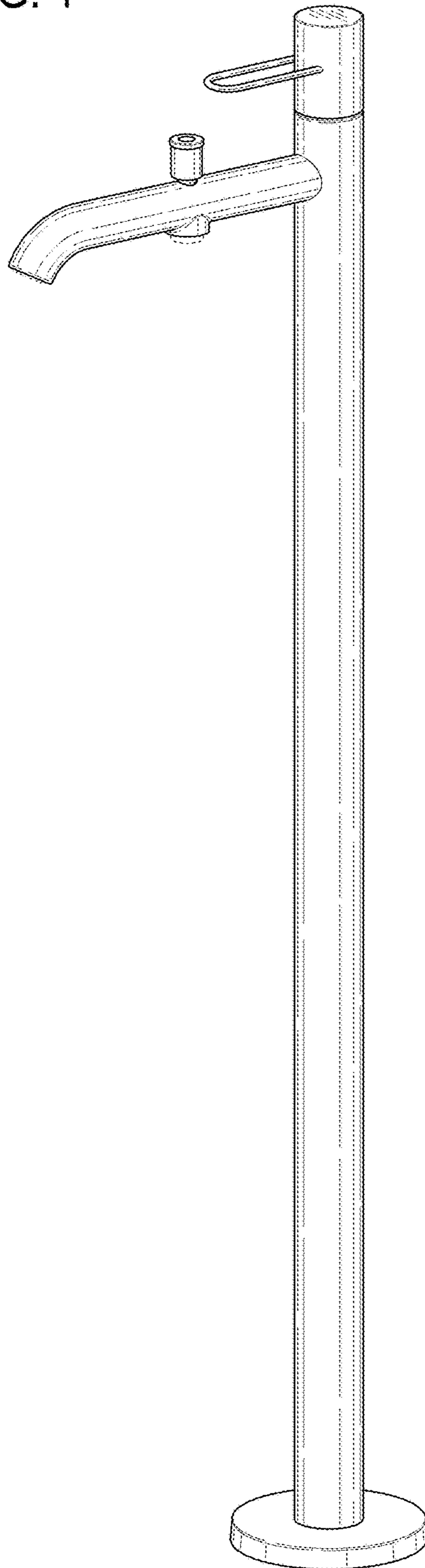


FIG. 2

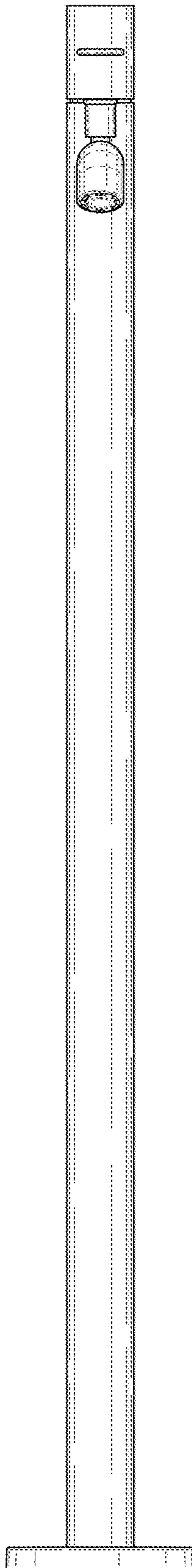


FIG. 3

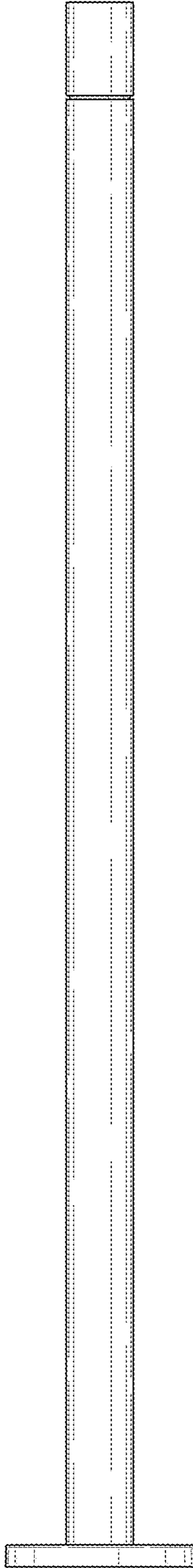


FIG. 4

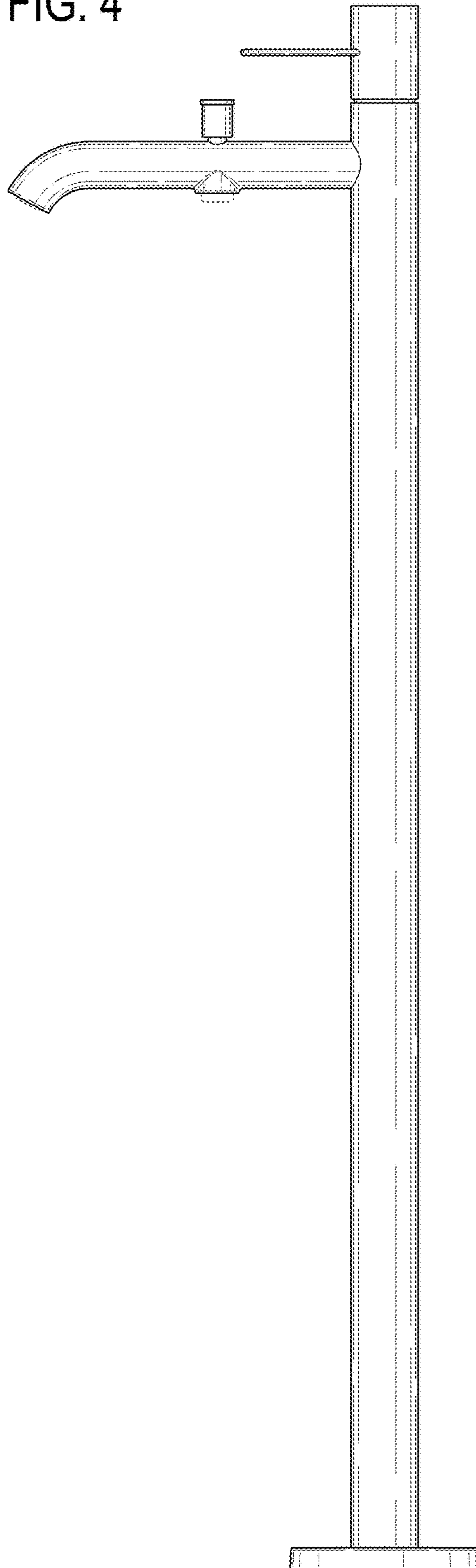


FIG. 5

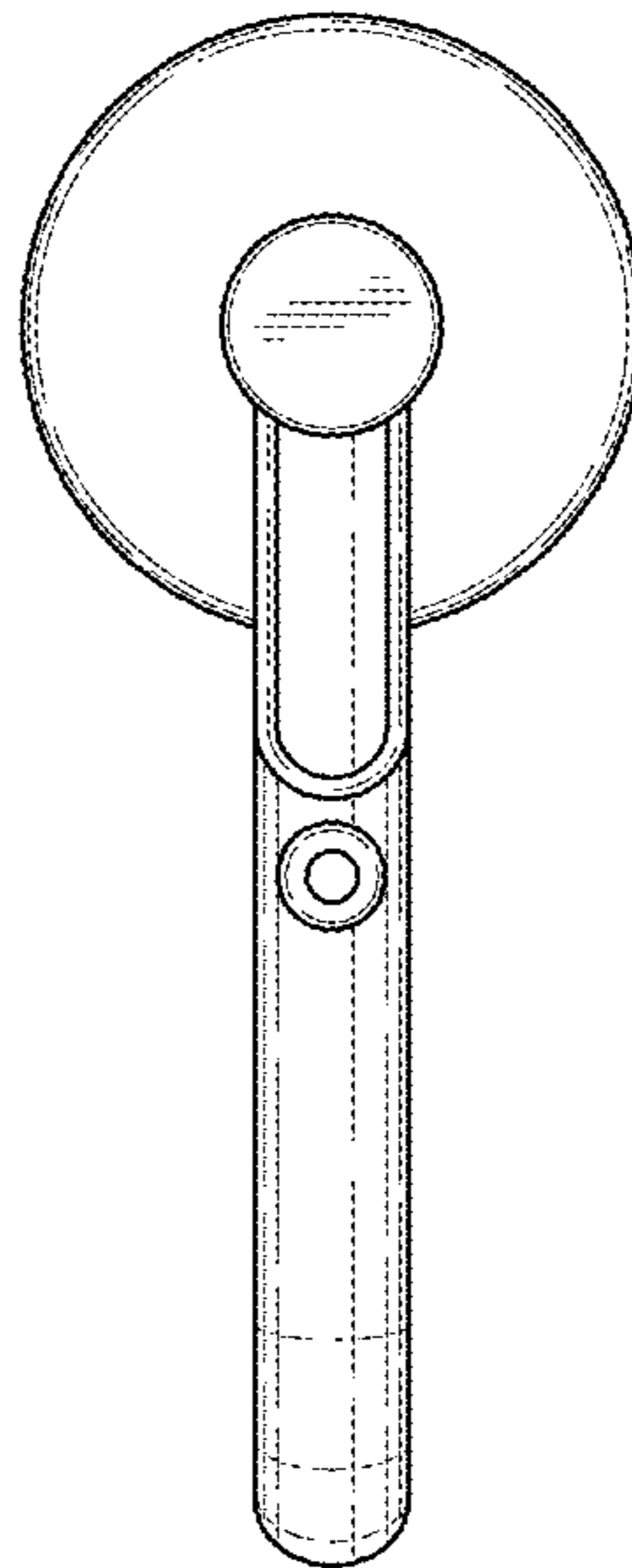


FIG. 6

