



US00D811529S

(12) **United States Design Patent** (10) **Patent No.:** **US D811,529 S**  
**Schoenherr et al.** (45) **Date of Patent:** **\*\* Feb. 27, 2018**

(54) **FAUCET**  
(71) Applicant: **HANSGROHE SE**, Schiltach (DE)  
(72) Inventors: **Tom Schoenherr**, Stuttgart (DE);  
**Andreas Diefenbach**,  
Ludwigsburg-Oßweil (DE)

D353,650 S *	12/1994	Haug .....	D23/238
D400,968 S *	11/1998	Lobermeier .....	D23/238
D535,360 S *	1/2007	Noth .....	D23/238
D541,385 S *	4/2007	Haug .....	D23/252
D597,175 S *	7/2009	Kulig .....	D23/238
D636,062 S *	4/2011	Rubin .....	D23/238
D673,652 S *	1/2013	Thomas .....	D23/238
D752,186 S *	3/2016	Schoenherr .....	D23/255
D767,724 S *	9/2016	Flowers .....	D23/238

(73) Assignee: **Hansgrohe SE**, Schiltach (DE)  
(\*\*) Term: **15 Years**

**FOREIGN PATENT DOCUMENTS**

(21) Appl. No.: **29/587,585**

CN	302256031	12/2012
CN	302280745	1/2013
CN	302761745	3/2014

(22) Filed: **Dec. 14, 2016**

\* cited by examiner

(30) **Foreign Application Priority Data**

*Primary Examiner* — Robert A Delehanty

Jun. 20, 2016 (EM) ..... 003229848-0002

(74) *Attorney, Agent, or Firm* — Lora J. Graentzdoerfler

(51) **LOC (11) Cl.** ..... **23-01**

(57) **CLAIM**

(52) **U.S. Cl.**  
USPC ..... **D23/238**

The ornamental design for a faucet, as shown and described.

(58) **Field of Classification Search**  
USPC ..... D23/238–243, 249–250, 252, 254–255,  
D23/257; D8/307–308, 310  
CPC ..... Y10T 137/9464  
See application file for complete search history.

**DESCRIPTION**

(56) **References Cited**

FIG. 1 is a perspective view;  
FIG. 2 is a front elevation view;  
FIG. 3 is a rear elevation view;  
FIG. 4 is a side elevation view;  
FIG. 5 is a top plan view; and,  
FIG. 6 is a bottom plan view.  
The broken lines indicate portions of the faucet that form no part of the claimed design.

**U.S. PATENT DOCUMENTS**

D291,238 S *	8/1987	Haug .....	D23/252
D331,450 S *	12/1992	Haug .....	D23/252
D342,988 S *	1/1994	Jans .....	D23/252
D350,389 S *	9/1994	Gottwald .....	D23/238

**1 Claim, 6 Drawing Sheets**

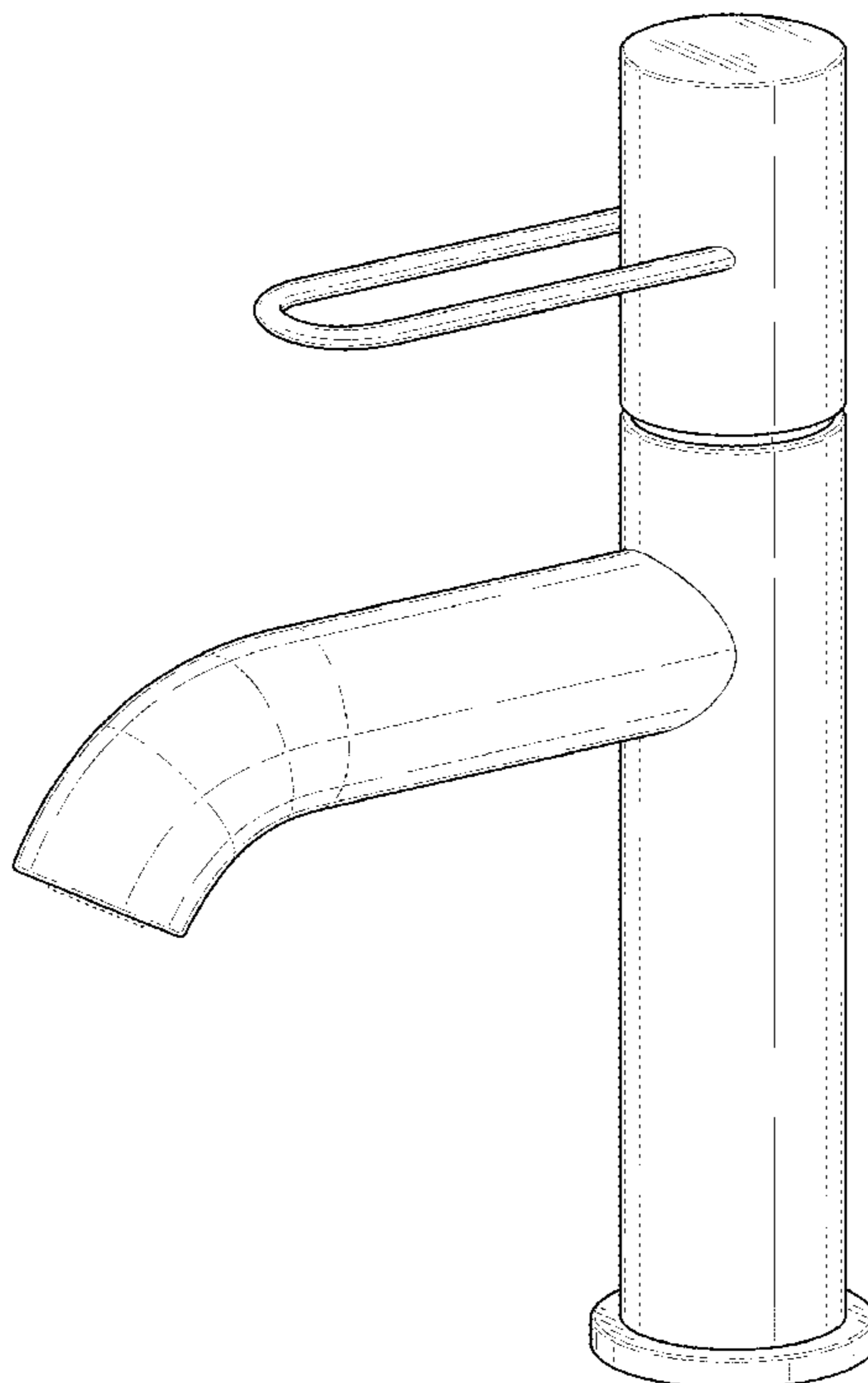


FIG. 1

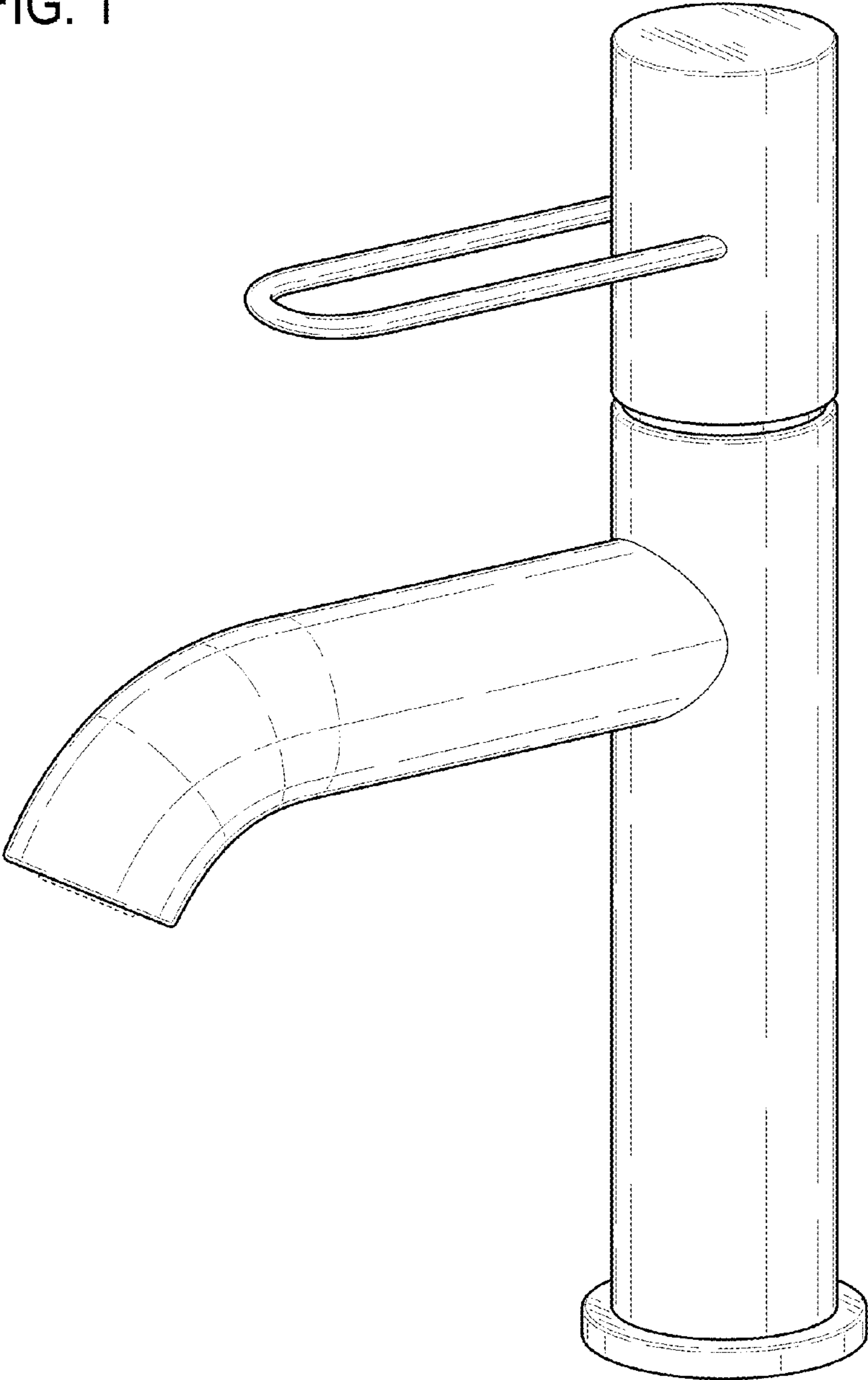


FIG. 2

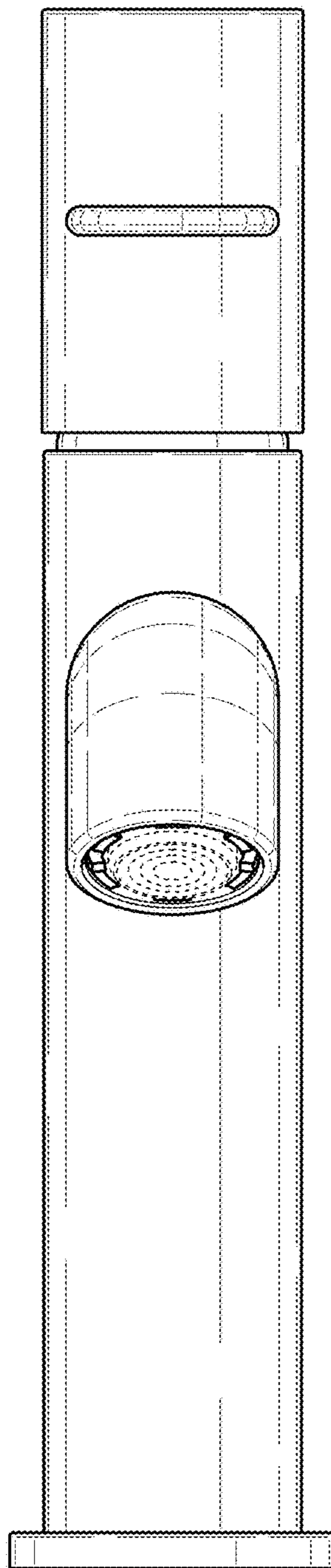


FIG. 3

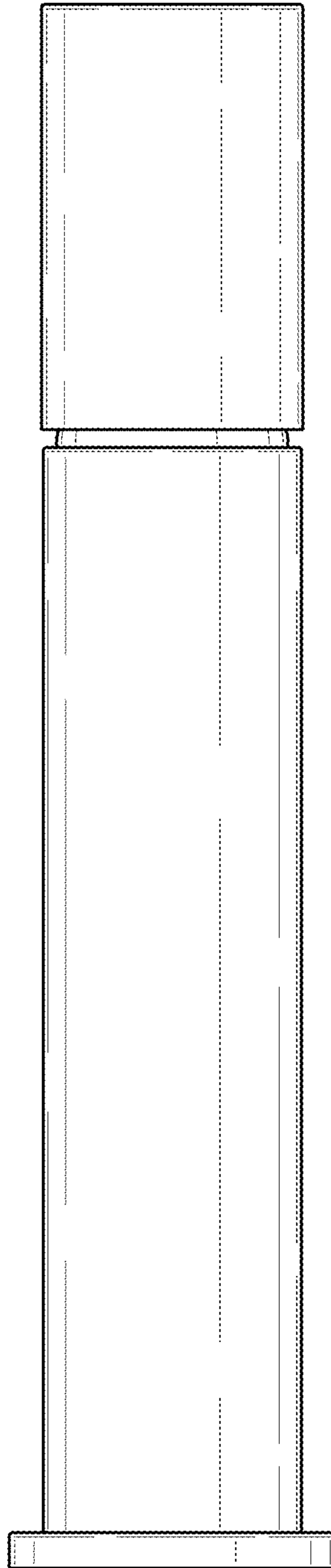


FIG. 4

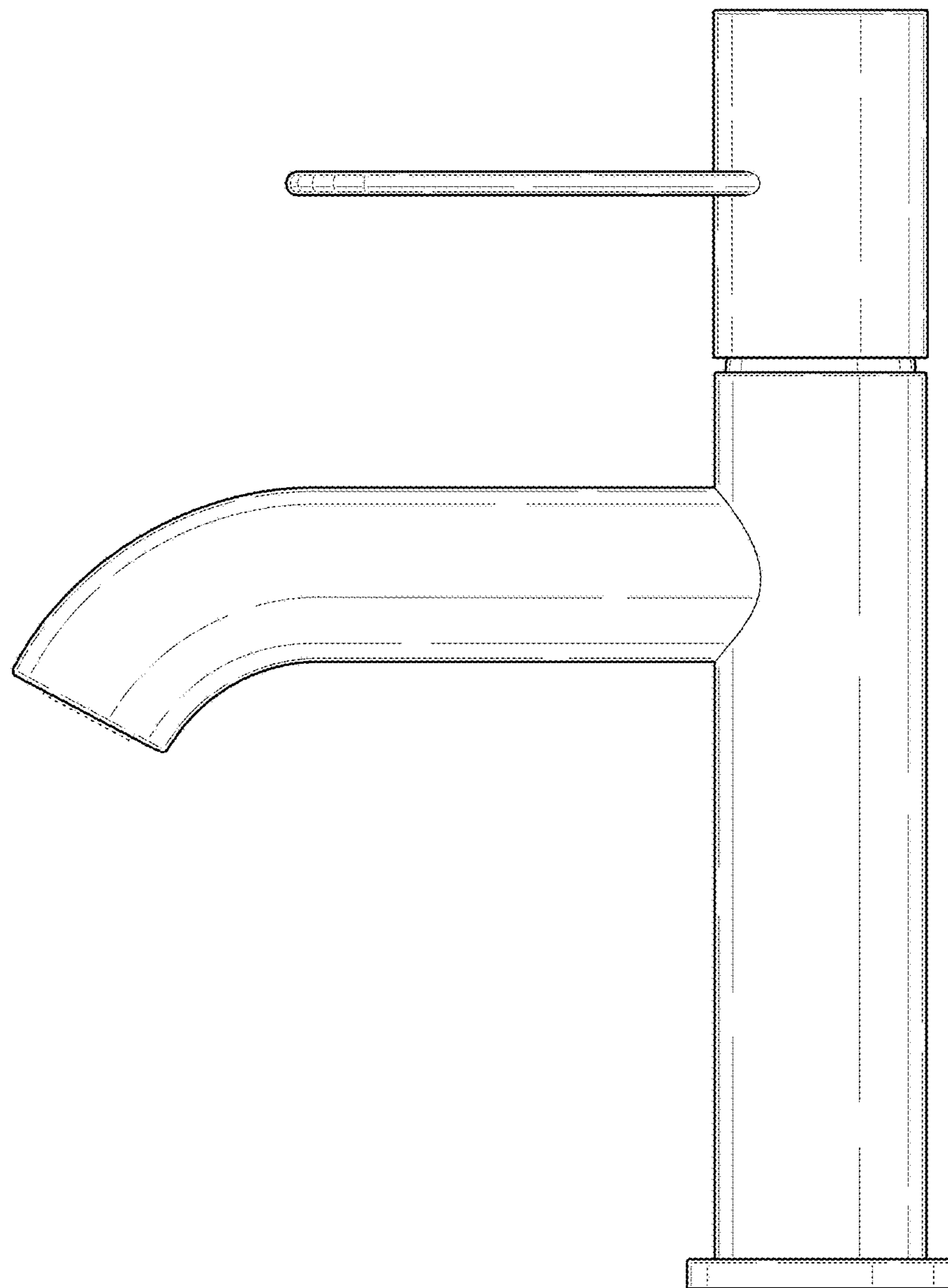


FIG. 5

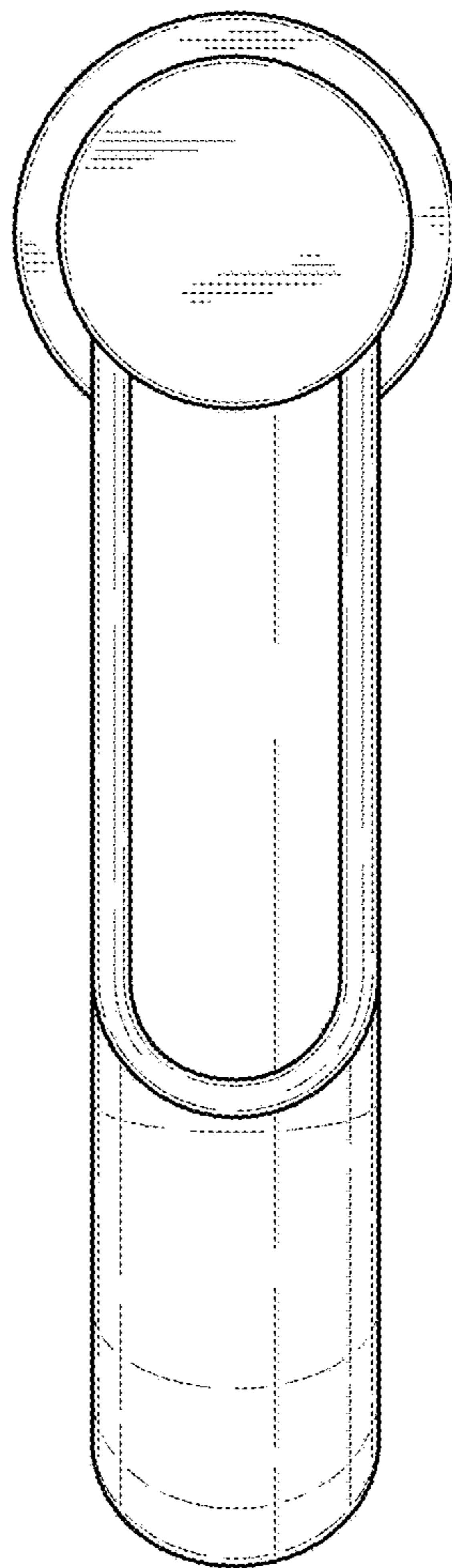


FIG. 6

