



US00D811528S

(12) **United States Design Patent** (10) **Patent No.:** **US D811,528 S**
Schoenherr et al. (45) **Date of Patent:** **** Feb. 27, 2018**

(54) **FAUCET**

FOREIGN PATENT DOCUMENTS

(71) Applicant: **HANSGROHE SE**, Schiltach (DE)

CN 302072695 9/2012

(72) Inventors: **Tom Schoenherr**, Stuttgart (DE);
Andreas Diefenbach,
Ludwigsburg-Oßweil (DE); **Yunwei**
Zhu, Stuttgart (DE)

CN 302221849 12/2012

EM 000775804-0022 8/2007

EM 000775804-0023 8/2007

EM 001194757-0001 2/2010

EM 001194757-0002 2/2010

EM 001194757-0003 2/2010

EM 001194757-0004 2/2010

EM 001194757-0005 2/2010

EM 001194757-0006 2/2010

EM 001194757-0007 2/2010

EM 001194757-0008 2/2010

EM 001194757-0009 2/2010

EM 001194757-0010 2/2010

EM 001194757-0011 2/2010

EM 001194757-0012 2/2010

EM 001194757-0013 2/2010

EM 001194757-0014 2/2010

EM 001194757-0015 2/2010

EM 001375216-0001 6/2013

(73) Assignee: **Hansgrohe SE**, Schiltach (DE)

(**) Term: **15 Years**

(21) Appl. No.: **29/586,822**

(22) Filed: **Dec. 7, 2016**

(30) **Foreign Application Priority Data**

(Continued)

Jun. 8, 2016 (EM) 003180363-0026

(51) **LOC (11) Cl.** **23-01**

Primary Examiner — Robert A Delehanty

(52) **U.S. Cl.**

(74) *Attorney, Agent, or Firm* — Lora J. Graentzdoerffer

USPC **D23/238**

(57) **CLAIM**

(58) **Field of Classification Search**

The ornamental design for a faucet, as shown and described.

USPC D23/238, 241–243, 249–250, 252,
D23/254–255, 257; D8/307–308

DESCRIPTION

CPC Y10T 137/9464
See application file for complete search history.

FIG. 1 is a perspective view of a faucet showing our design;
FIG. 2 is a front elevation view;
FIG. 3 is a rear elevation view;
FIG. 4 is a right side elevation view;
FIG. 5 is a left side elevation view;
FIG. 6 is a top plan view; and,
FIG. 7 is a bottom plan view.

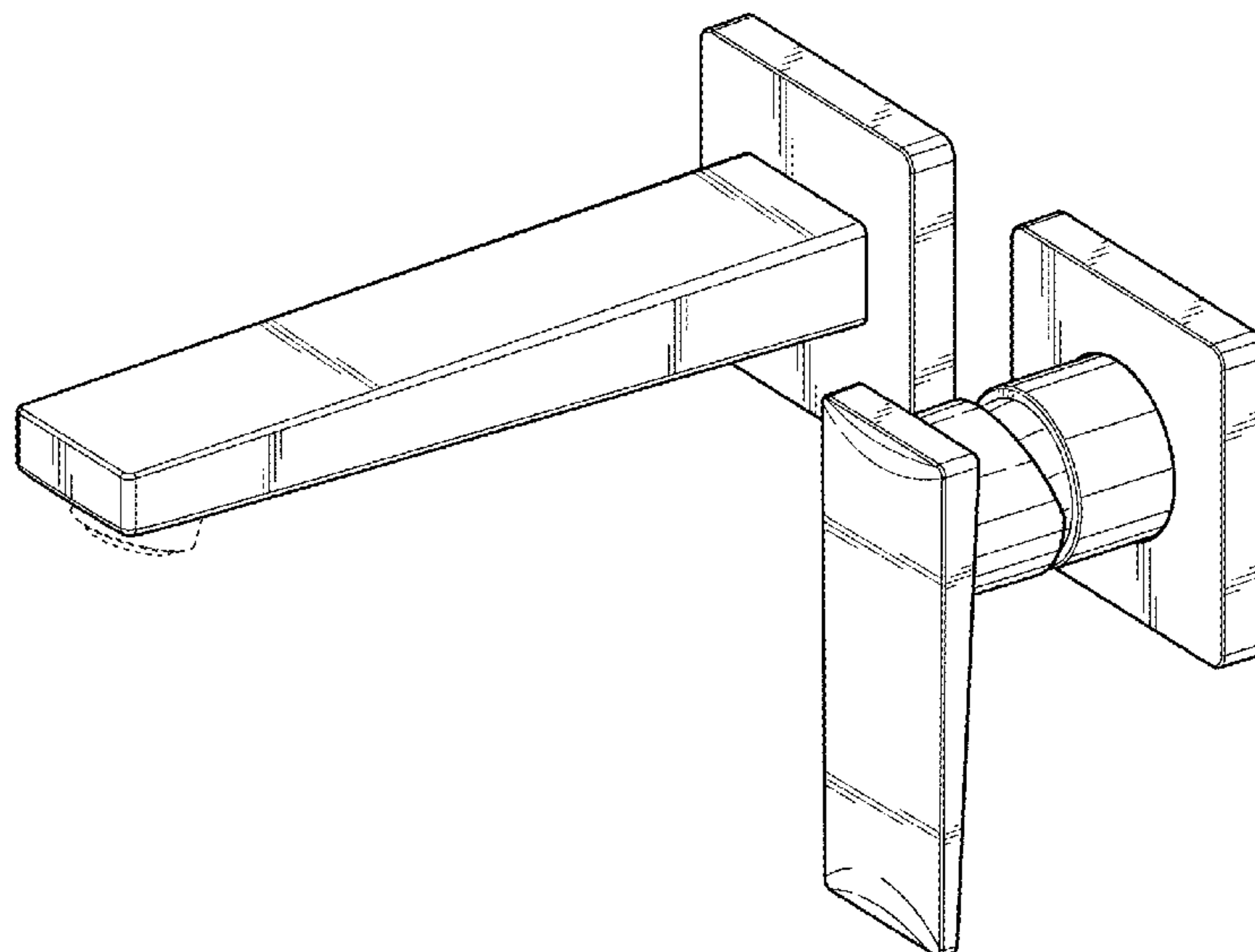
(56) **References Cited**

The broken-line disclosure in the view represents a portion
of the faucet in which the claimed design is embodied, but
which forms no part of the claimed design.

U.S. PATENT DOCUMENTS

D493,210 S * 7/2004 Citterio D23/238
D519,617 S * 4/2006 Hoernig D23/255
D525,346 S * 7/2006 Kulig D23/238
D557,384 S * 12/2007 Garner D23/255
D704,304 S * 5/2014 Schoenherr D23/238
D760,360 S * 6/2016 Kawakami D23/255

1 Claim, 7 Drawing Sheets



(56)

References Cited

FOREIGN PATENT DOCUMENTS

EM	001375216-0002	6/2013
EM	001375216-0003	6/2013
EM	001375216-0004	6/2013
EM	001375216-0005	6/2013
EM	001375216-0006	6/2013
EM	001375216-0007	6/2013
EM	001375216-0008	6/2013
EM	001375216-0009	6/2013
EM	001375216-0010	6/2013
EM	002329748-0004	10/2013

* cited by examiner

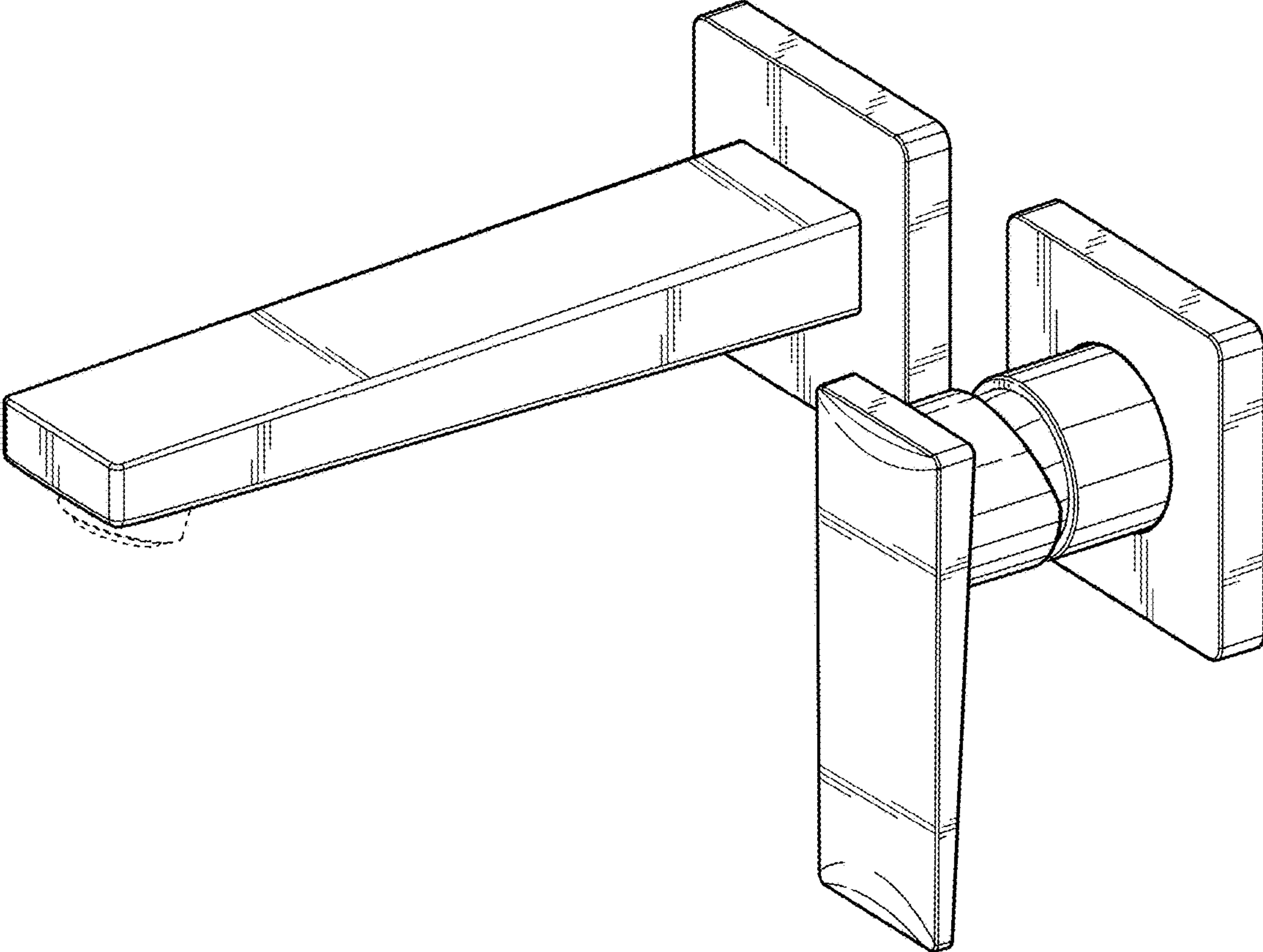


FIG. 1

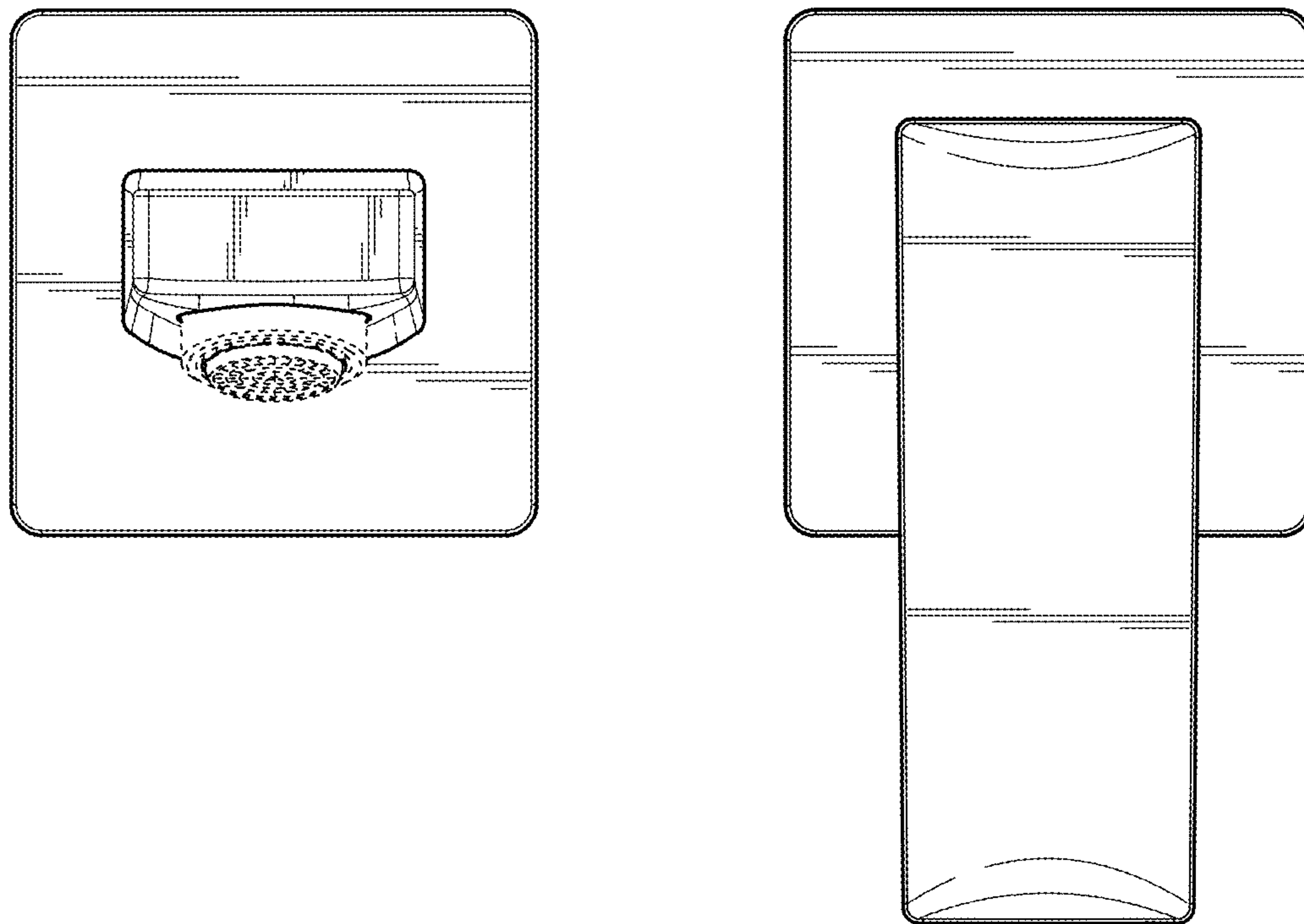


FIG. 2

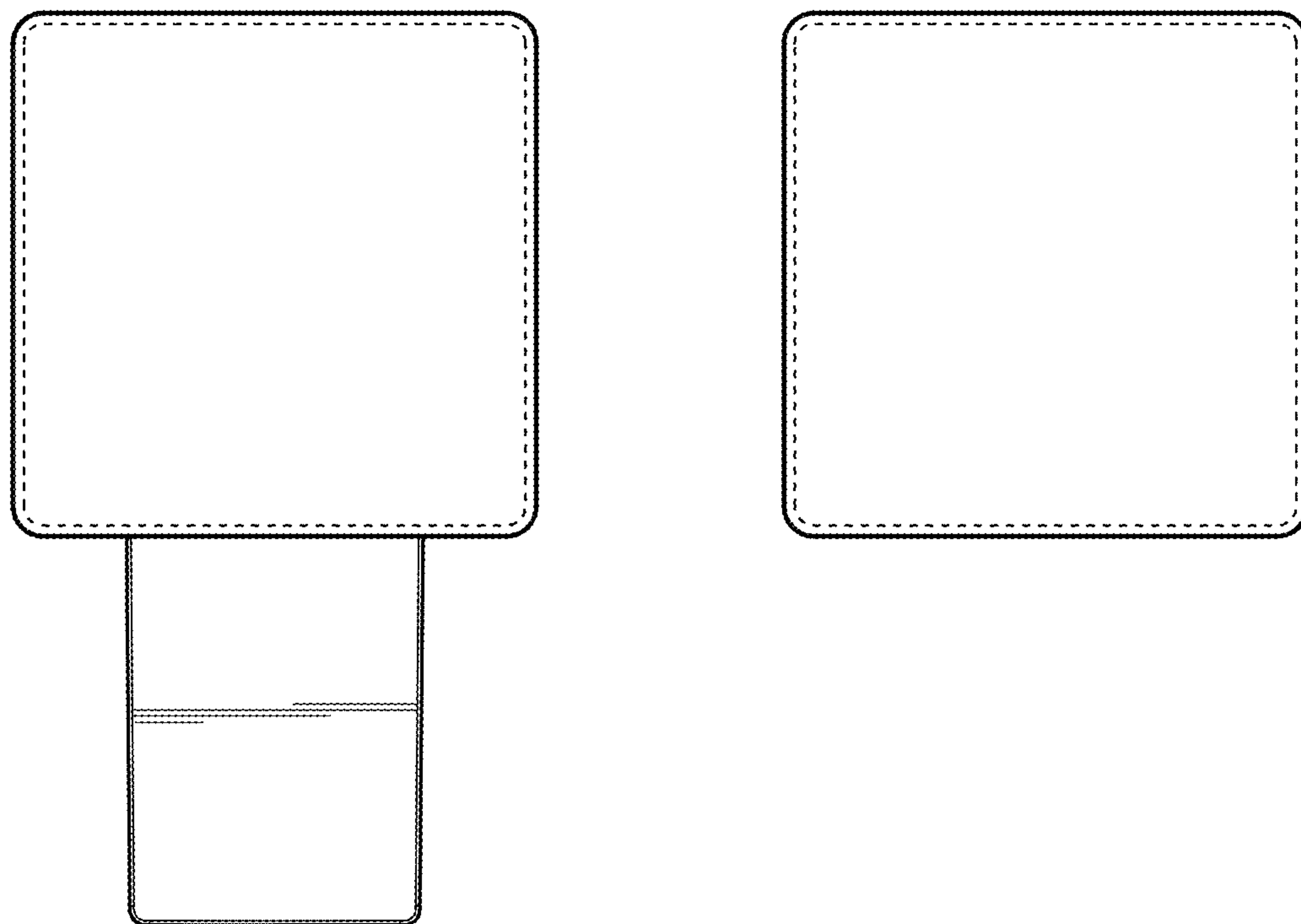


FIG. 3

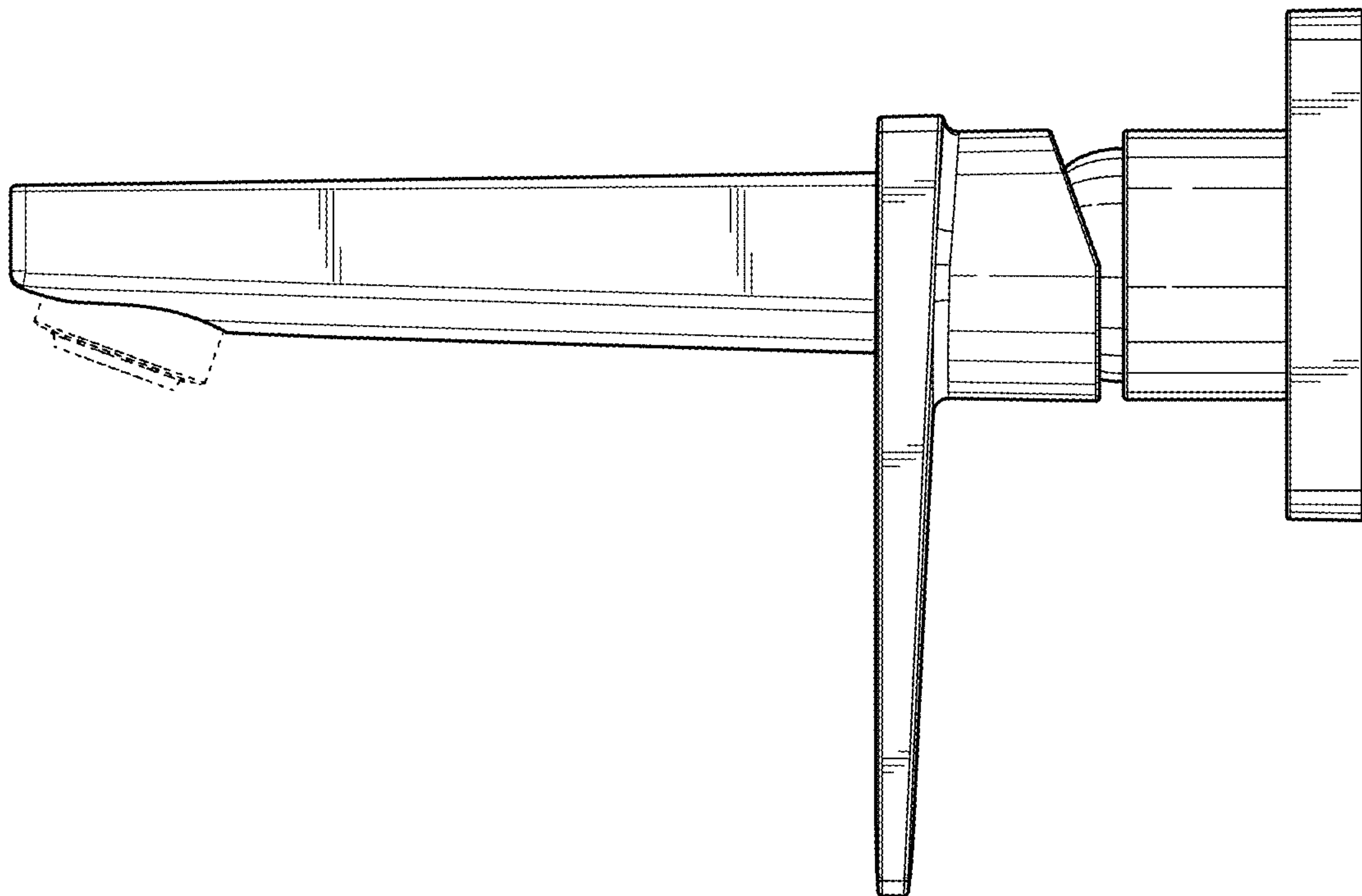


FIG. 4

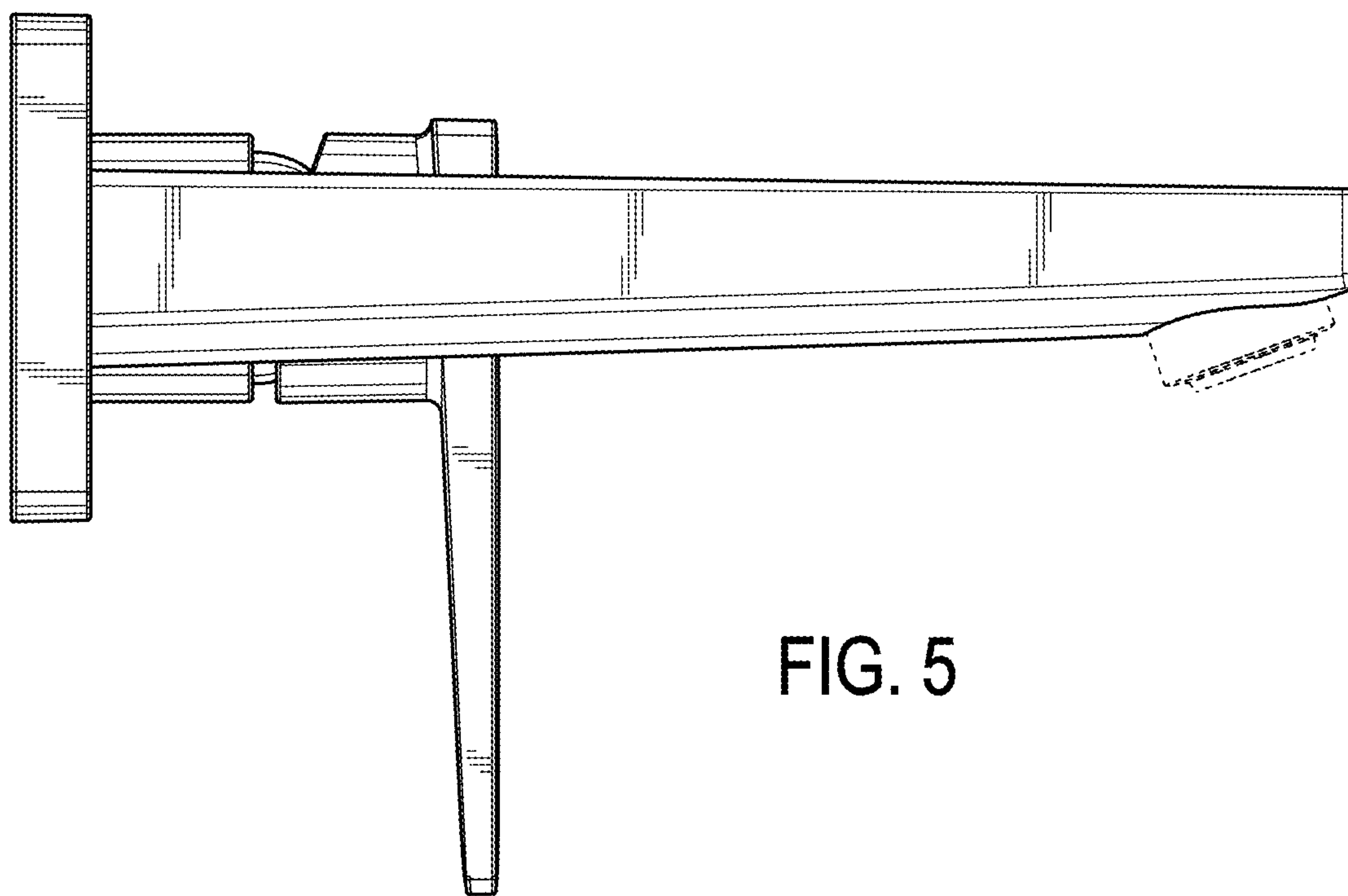


FIG. 5

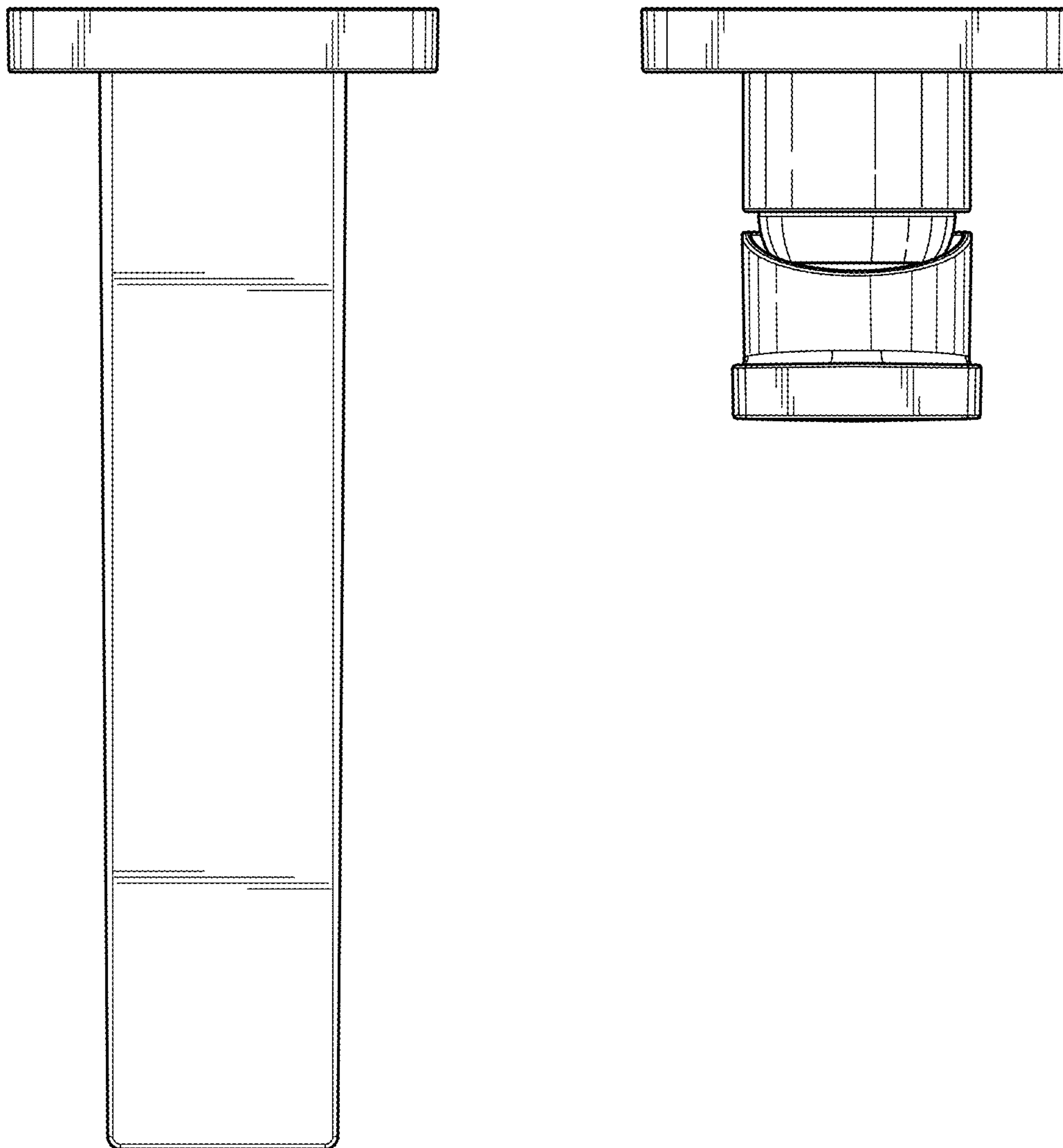


FIG. 6

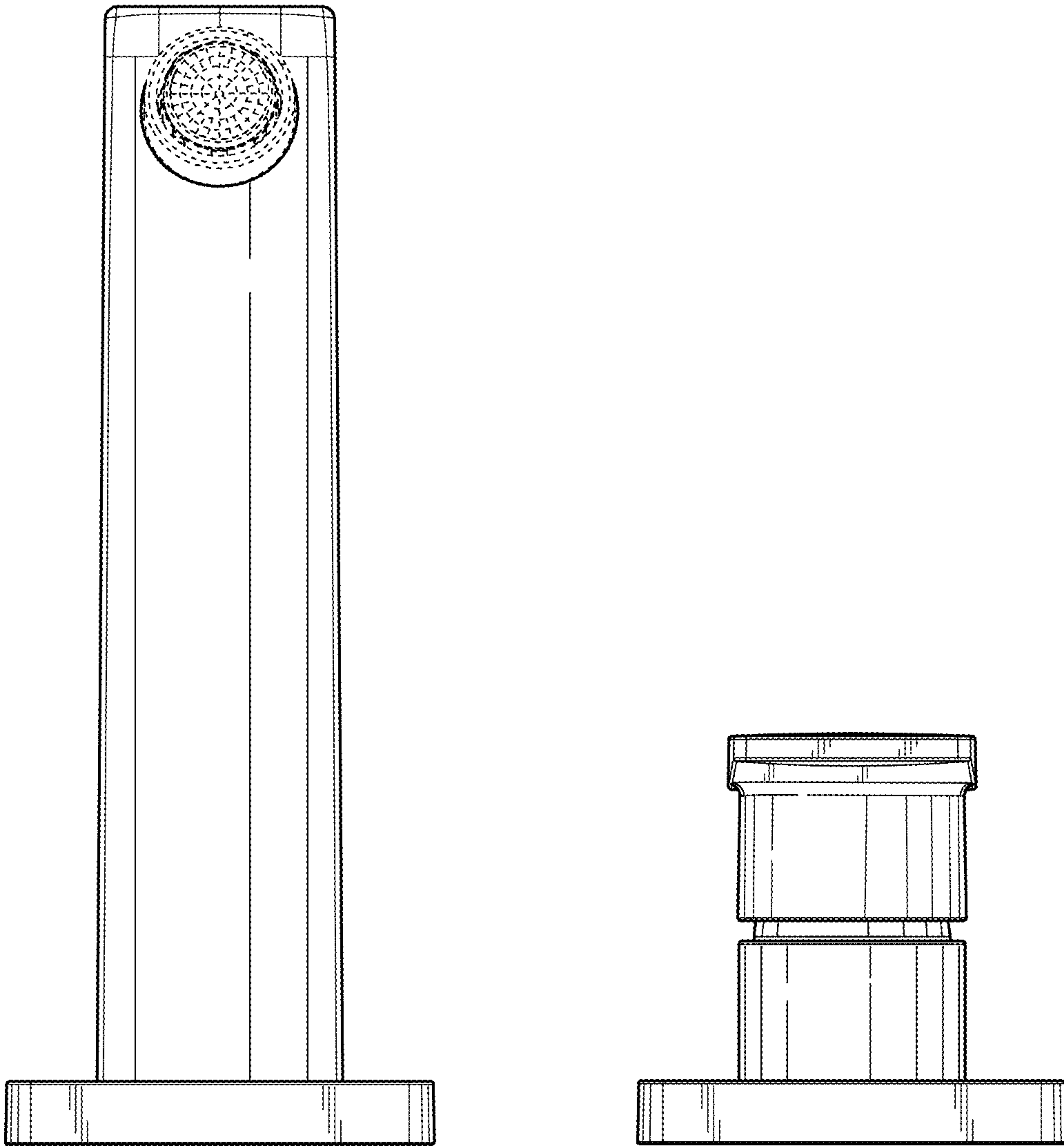


FIG. 7