



US00D811527S

(12) **United States Design Patent**
Fritz

(10) **Patent No.:** **US D811,527 S**

(45) **Date of Patent:** **** Feb. 27, 2018**

(54) **FAUCET**

(71) Applicant: **DELTA FAUCET COMPANY,**
Indianapolis, IN (US)

(72) Inventor: **Seth Fritz,** Carmel, IN (US)

(73) Assignee: **DELTA FAUCET COMPANY,**
Indianapolis, IN (US)

(**) Term: **15 Years**

(21) Appl. No.: **29/572,195**

(22) Filed: **Jul. 26, 2016**

(51) **LOC (11) Cl.** **23-01**

(52) **U.S. Cl.**
USPC **D23/238**

(58) **Field of Classification Search**
USPC D23/238, 241-243, 249, 255, 257, 250,
D23/252, 254
CPC Y10T 137/9464
See application file for complete search history.

(56) **References Cited**

U.S. PATENT DOCUMENTS

D440,637 S * 4/2001 Lefroy-Brooks D23/238
D515,666 S * 2/2006 Ng D23/238

D528,189 S * 9/2006 Kulig D23/238
D590,922 S * 4/2009 Shieh D23/255
D645,120 S * 9/2011 Lammel D23/238
D666,276 S * 8/2012 Fritz D23/238
D685,878 S * 7/2013 Fritz D23/238
D692,986 S * 11/2013 Flowers D23/238
D802,722 S * 11/2017 Flowers D23/252

* cited by examiner

Primary Examiner — Robert A Delehanty

(74) *Attorney, Agent, or Firm* — Edgar A. Zarins; Nirav D. Parikh

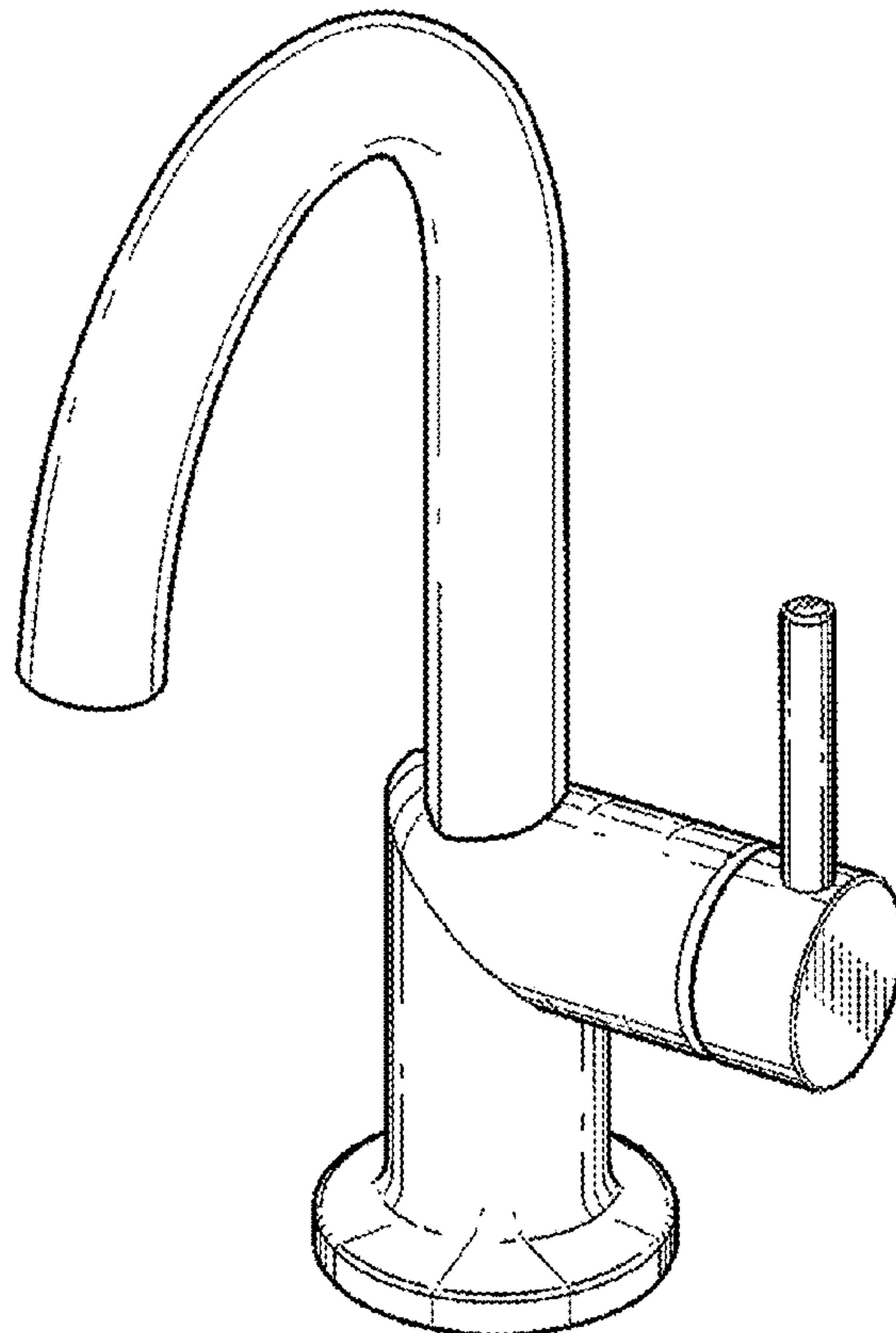
(57) **CLAIM**

The ornamental design for a faucet, as shown and described.

DESCRIPTION

FIG. 1 is a perspective view of a faucet showing my new design;
FIG. 2 is a front elevational view thereof;
FIG. 3 is a rear view thereof;
FIG. 4 is a top plan view thereof;
FIG. 5 is a right side view thereof;
FIG. 6 is a left side view thereof; and,
FIG. 7 is a bottom view thereof.

1 Claim, 3 Drawing Sheets



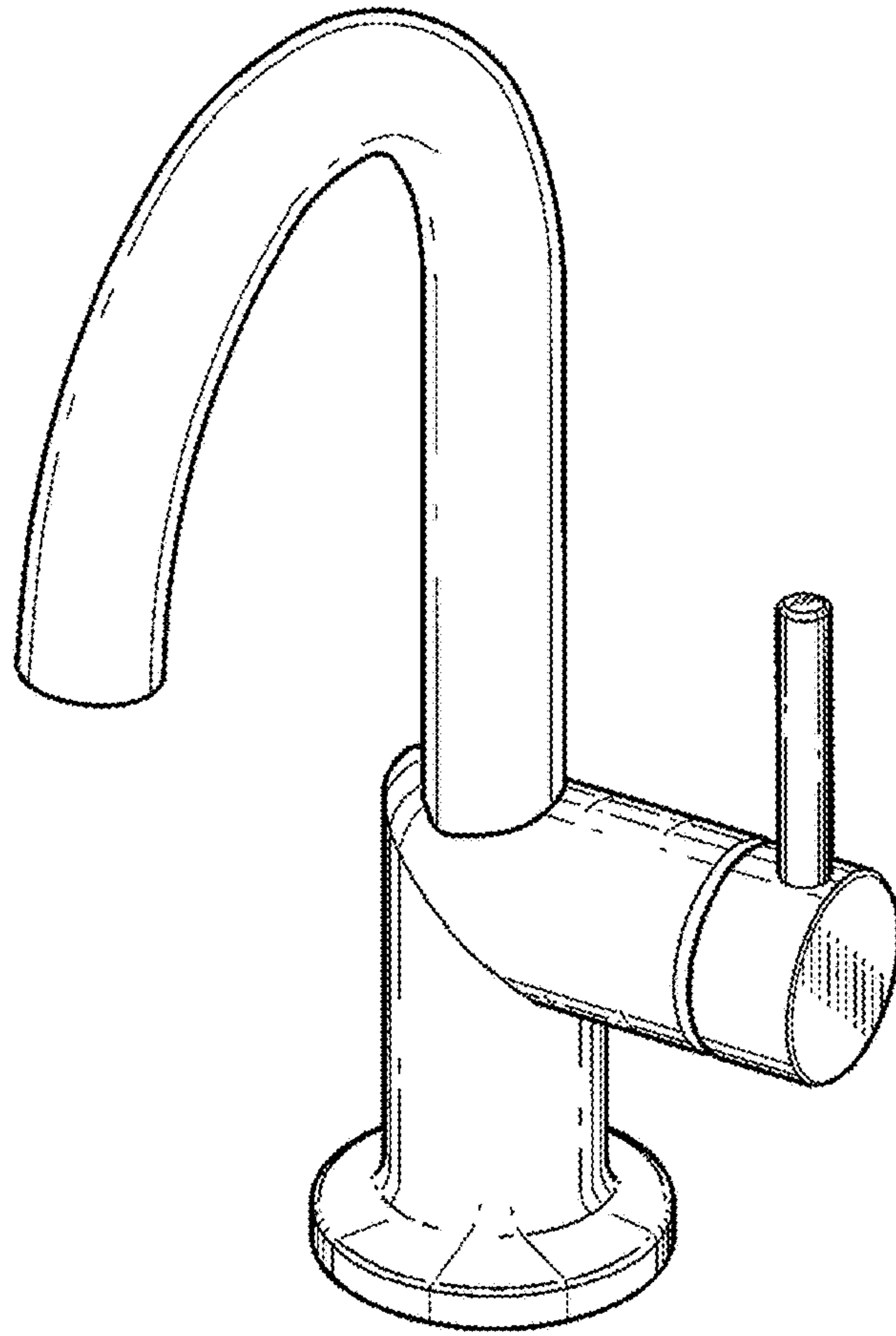


Fig-1

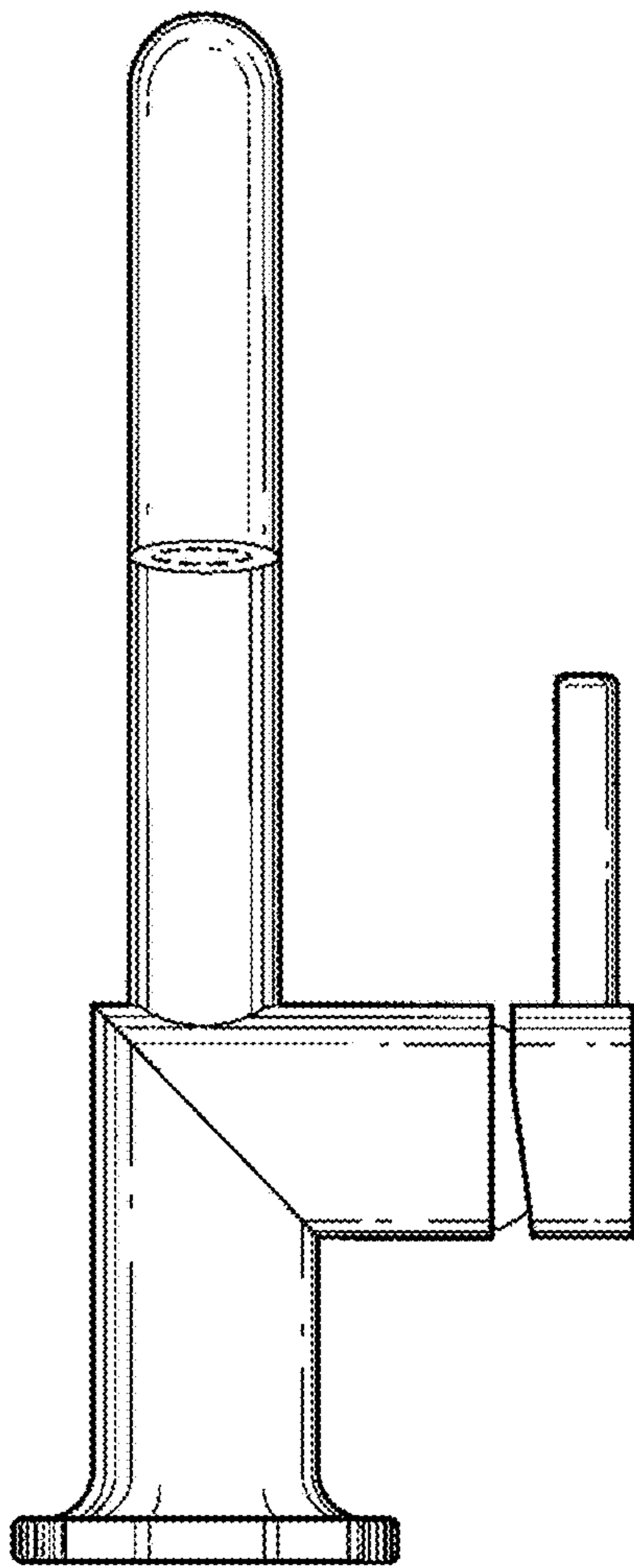


Fig-2

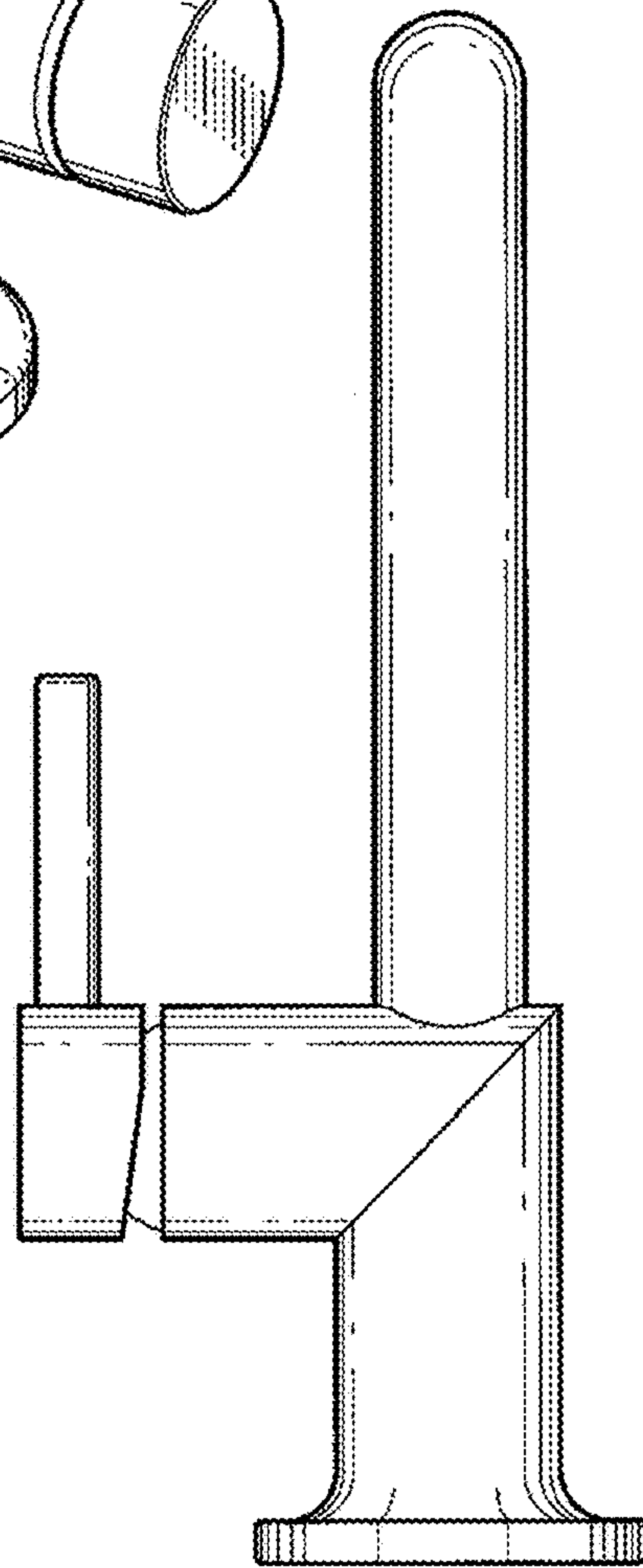


Fig-3

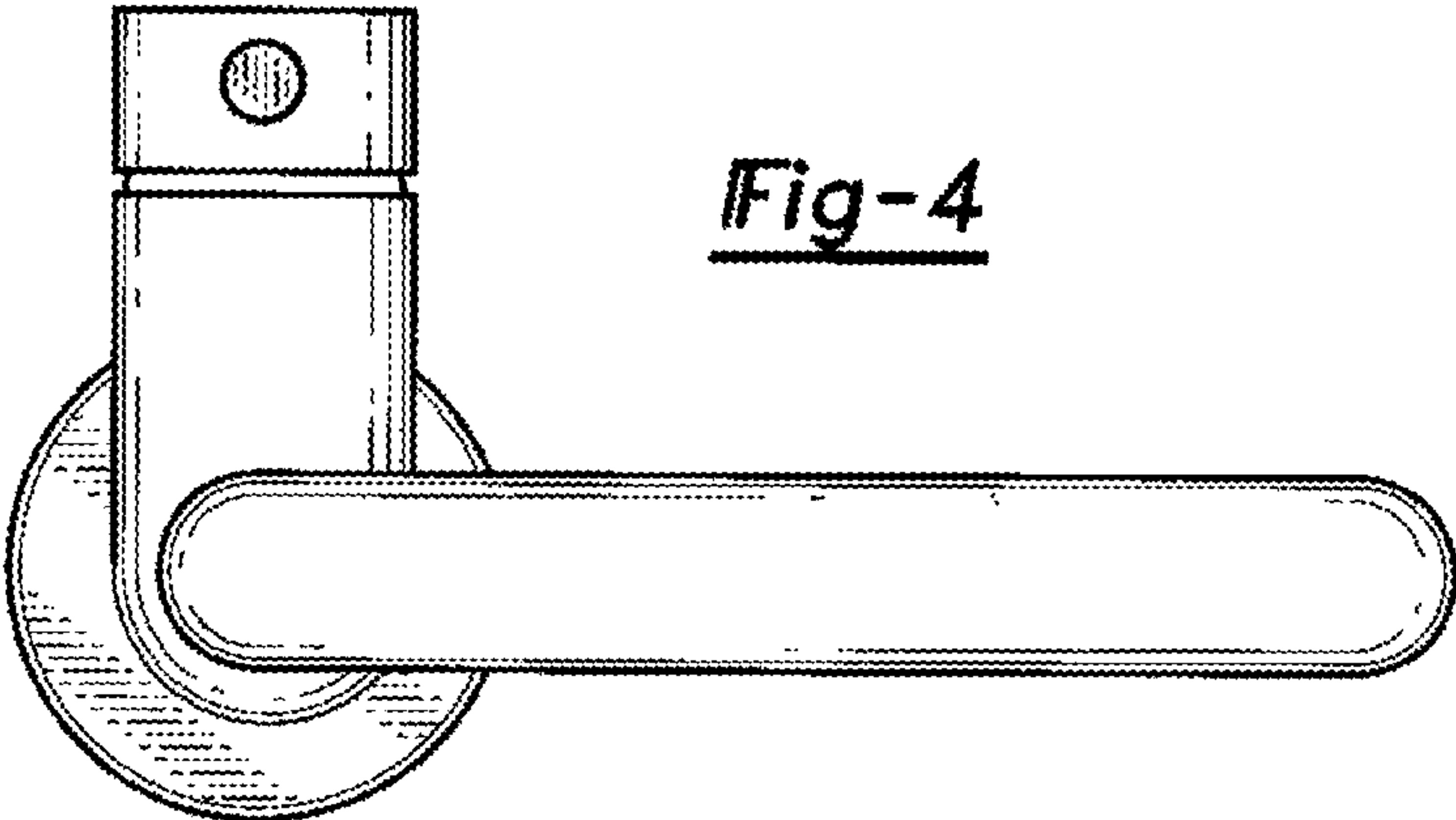


Fig-4

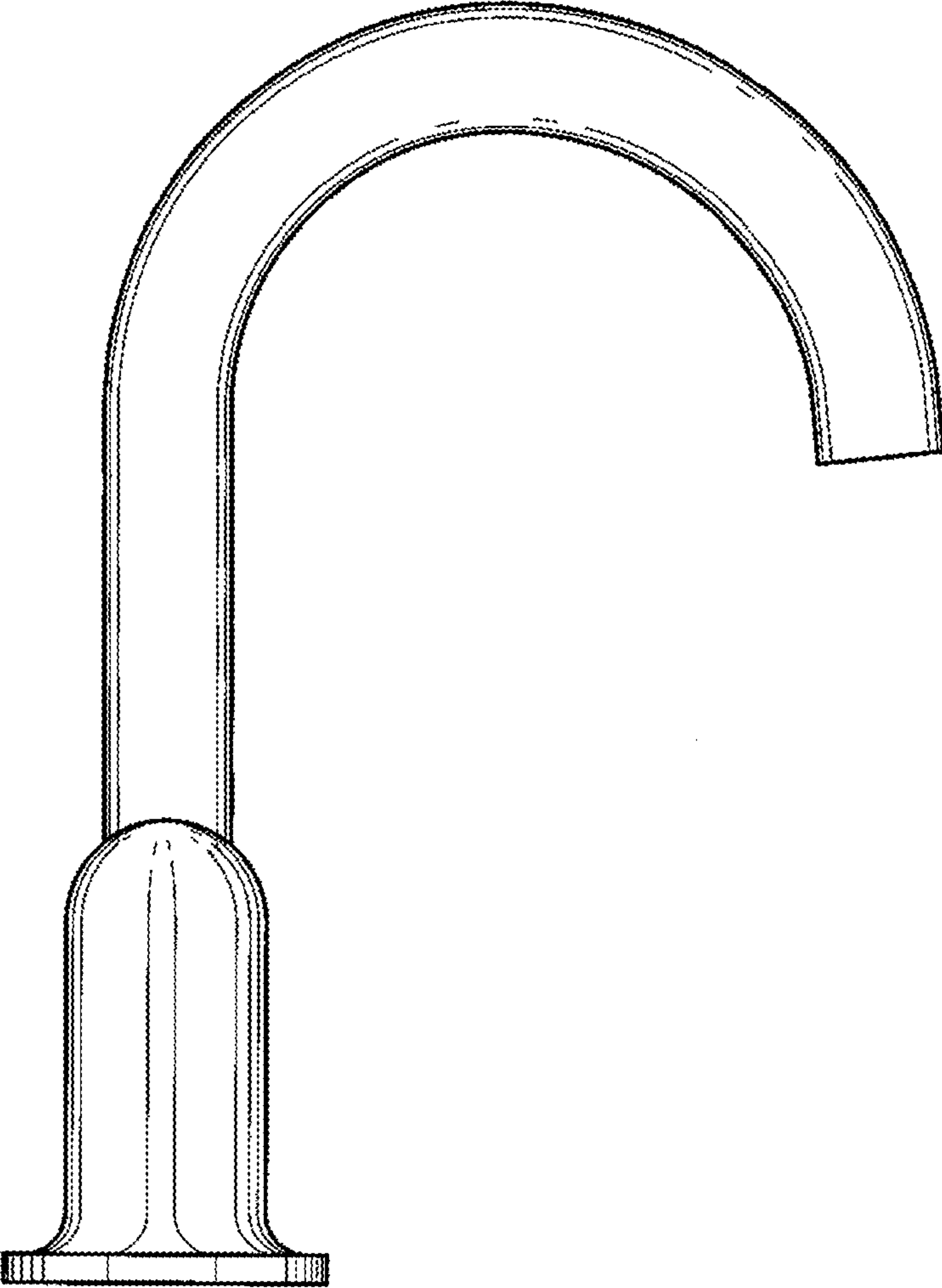


Fig-5

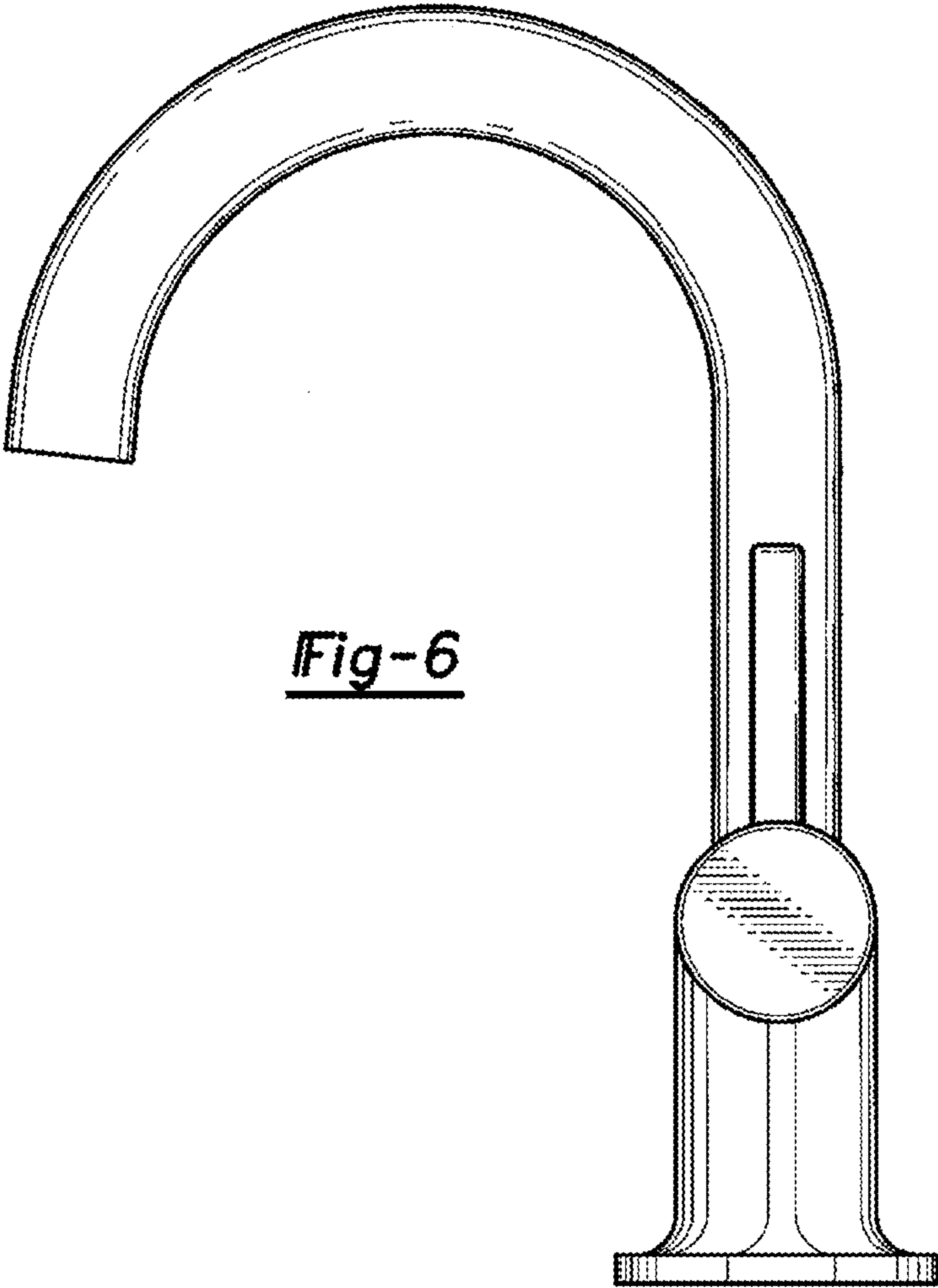


Fig-6

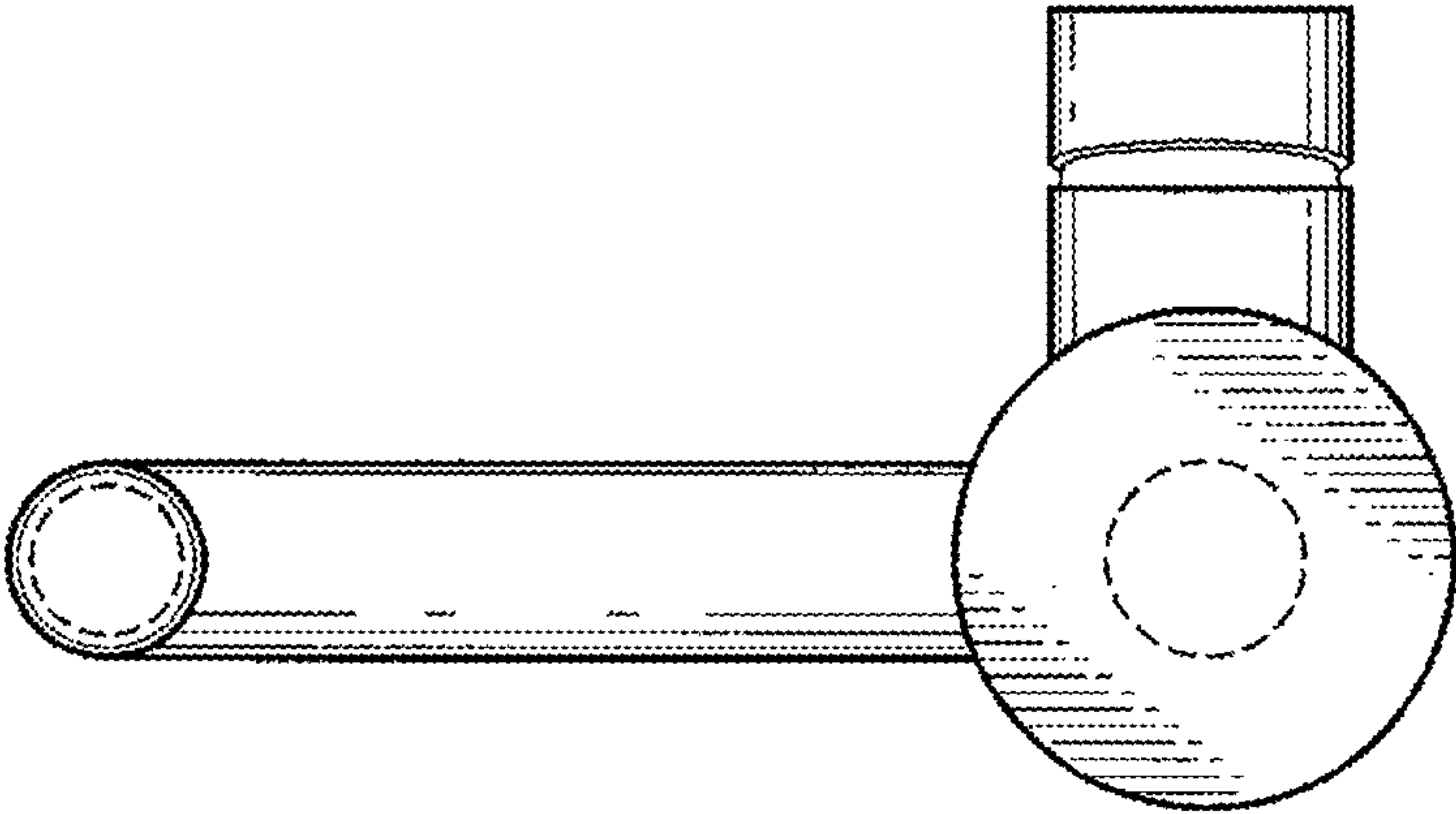


Fig-7