



US00D811526S

(12) **United States Design Patent**  
**Yoshida et al.**

(10) **Patent No.:** **US D811,526 S**  
(45) **Date of Patent:** **\*\* Feb. 27, 2018**

(54) **MANIFOLD BASE FOR ELECTROMAGNETIC VALVE**

D689,984 S \* 9/2013 Miyazoe ..... D23/233  
D690,392 S \* 9/2013 Miyazoe ..... D23/233

(71) Applicant: **SMC CORPORATION**, Chiyoda-ku (JP)

\* cited by examiner

(72) Inventors: **Masaru Yoshida**, Ushiku (JP); **Shinichi Yoshimura**, Moriya (JP); **Shinji Miyazoe**, Moriya (JP)

*Primary Examiner* — Cynthia Ramirez

*Assistant Examiner* — Gino Colan

(74) *Attorney, Agent, or Firm* — Oblon, McClelland, Maier & Neustadt, L.L.P.

(73) Assignee: **SMC CORPORATION**, Chiyoda-ku (JP)

(\*\*) Term: **15 Years**

(21) Appl. No.: **29/598,906**

(22) Filed: **Mar. 29, 2017**

(30) **Foreign Application Priority Data**

Oct. 12, 2016 (JP) ..... 2016-022124

(51) **LOC (11) Cl.** ..... **23-01**

(52) **U.S. Cl.**  
USPC ..... **D23/233**

(58) **Field of Classification Search**  
USPC ..... D23/233, 235, 237, 241, 247, 248, 249;  
251/129.01, 129.15, 129.2  
CPC .... F16K 31/0675; F16K 27/029; F16K 31/06;  
F16K 31/082; F16K 27/048  
See application file for complete search history.

(56) **References Cited**

**U.S. PATENT DOCUMENTS**

D521,597 S \* 5/2006 Nimberger ..... D23/233  
D616,965 S \* 6/2010 Miyazoe ..... D23/233

(57) **CLAIM**

The ornamental design for a manifold base for electromagnetic valve, as shown and described.

**DESCRIPTION**

FIG. 1 is a front, top, and right side perspective view of a manifold base for electromagnetic valve showing our new design;

FIG. 2 is a rear, bottom, and right side perspective view thereof;

FIG. 3 is a front elevational view thereof, the rear elevational view being a mirror image of the front elevational view;

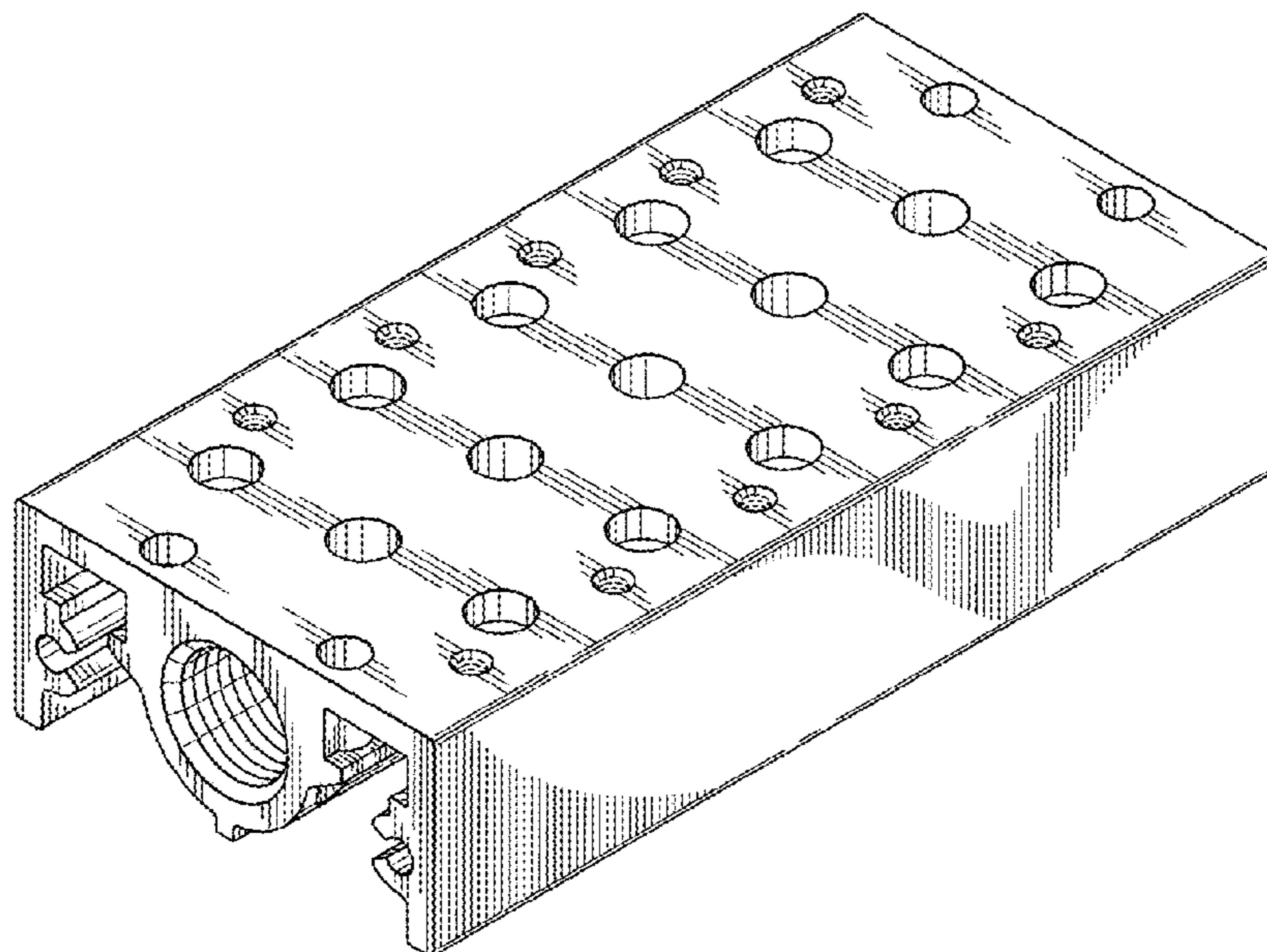
FIG. 4 is a left side elevational view thereof, the right side elevational view being a mirror image of the left side elevational view;

FIG. 5 is a top plan view thereof; and,

FIG. 6 is a bottom plan view thereof.

The broken lines in the drawings illustrate portions of the manifold base for electromagnetic valve that form no part of the claimed design.

**1 Claim, 6 Drawing Sheets**



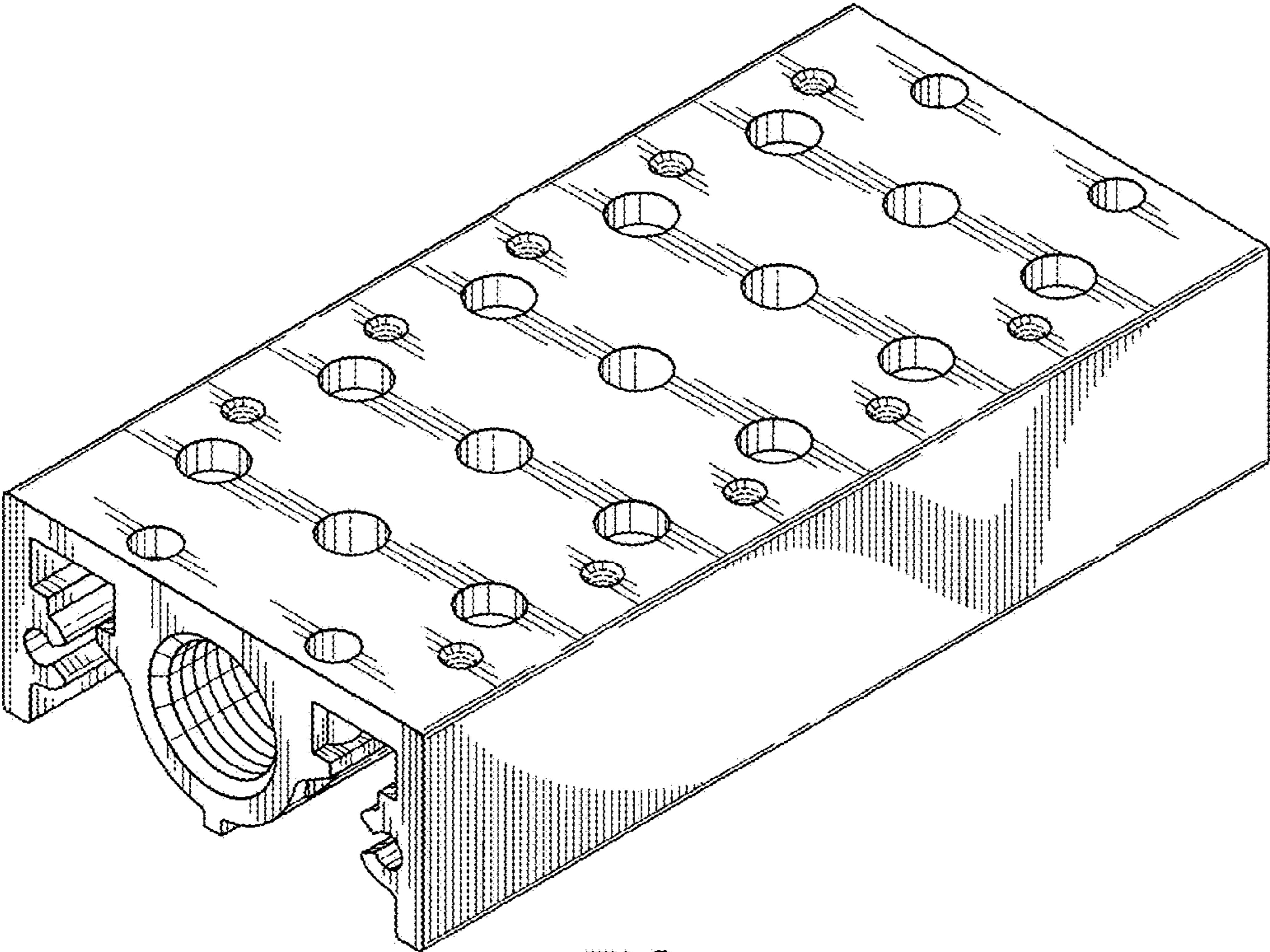


FIG. 1

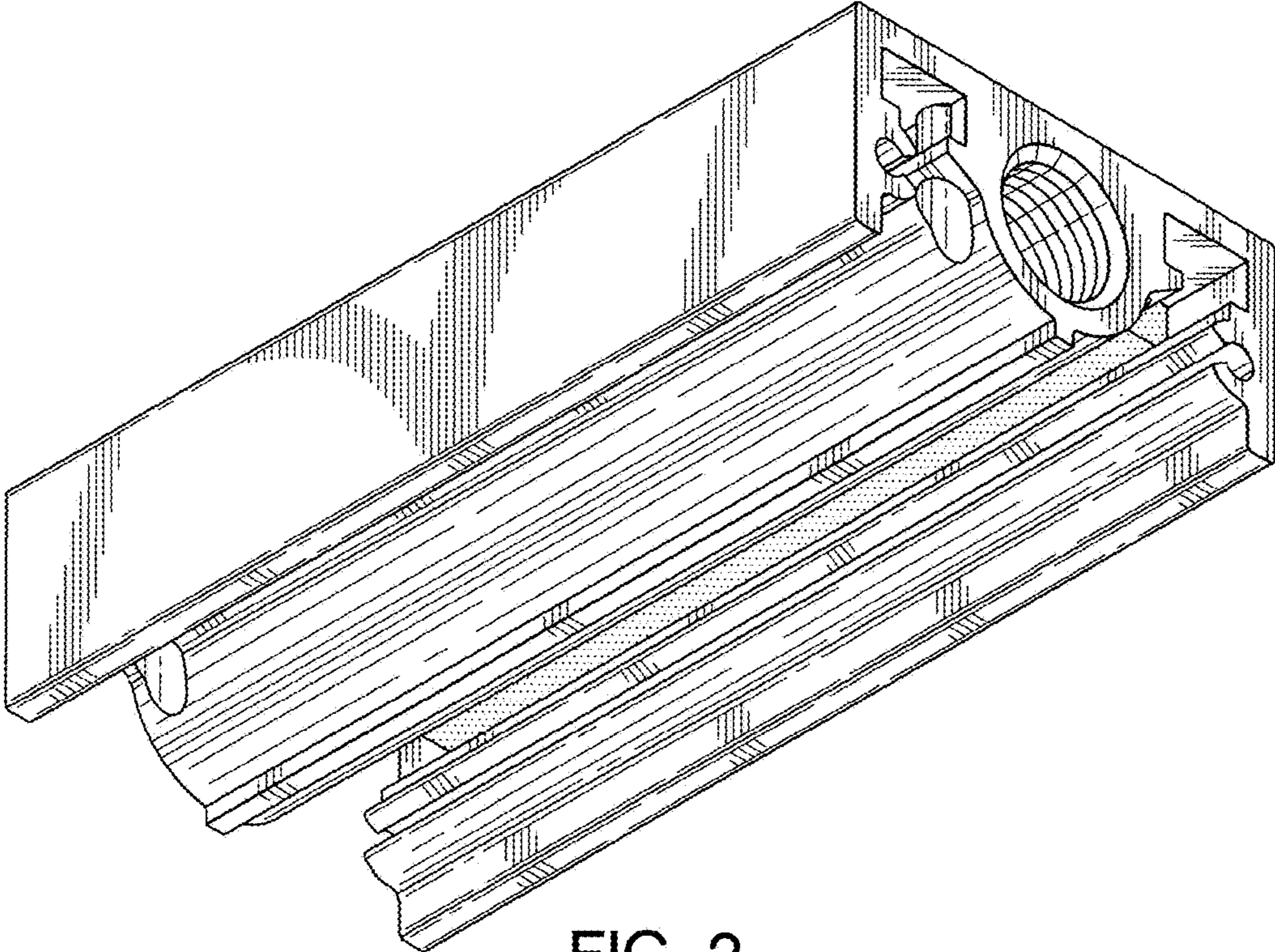


FIG. 2

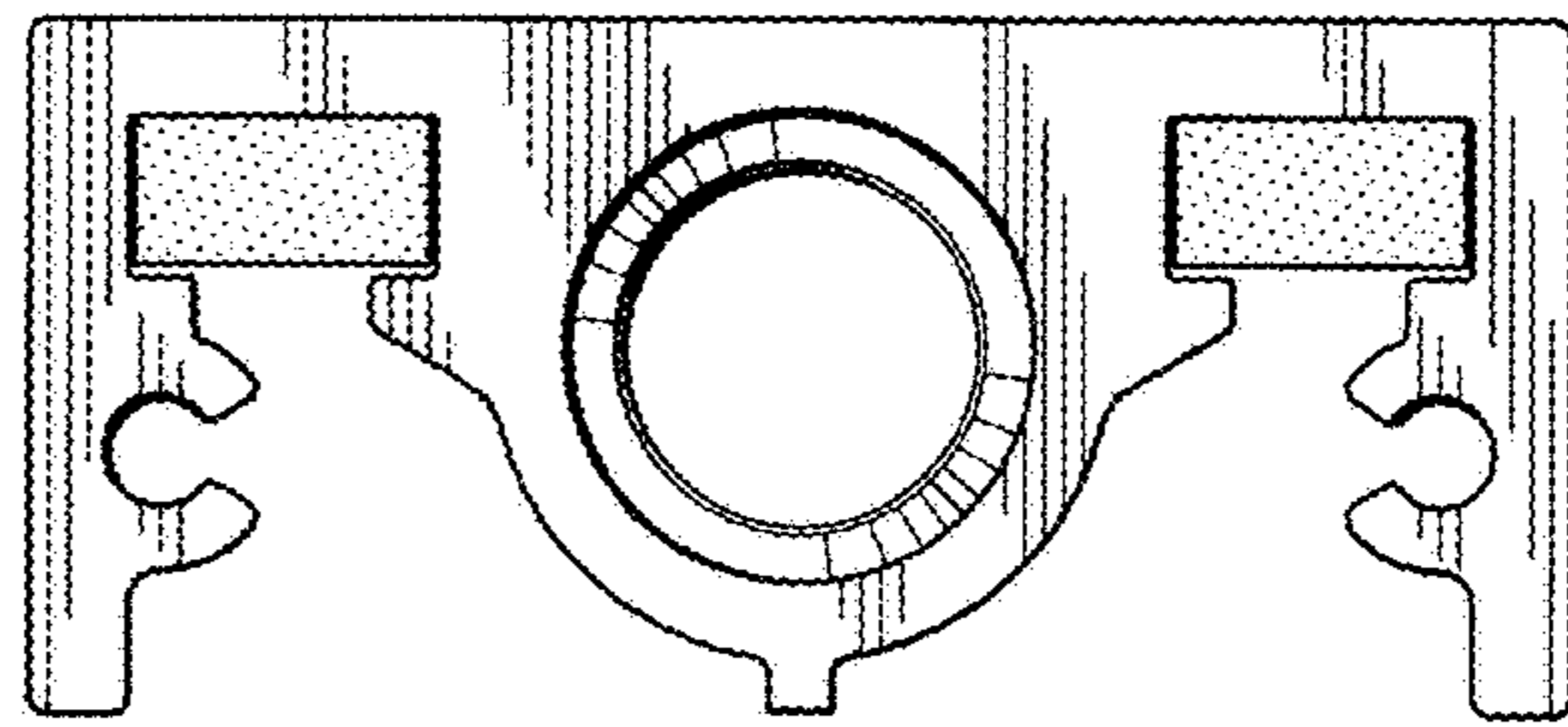


FIG. 3

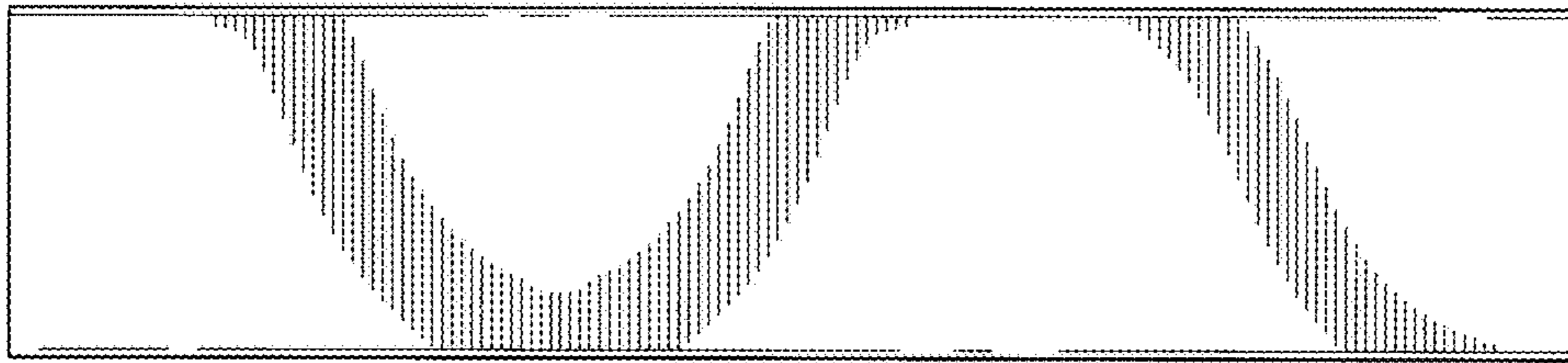


FIG. 4

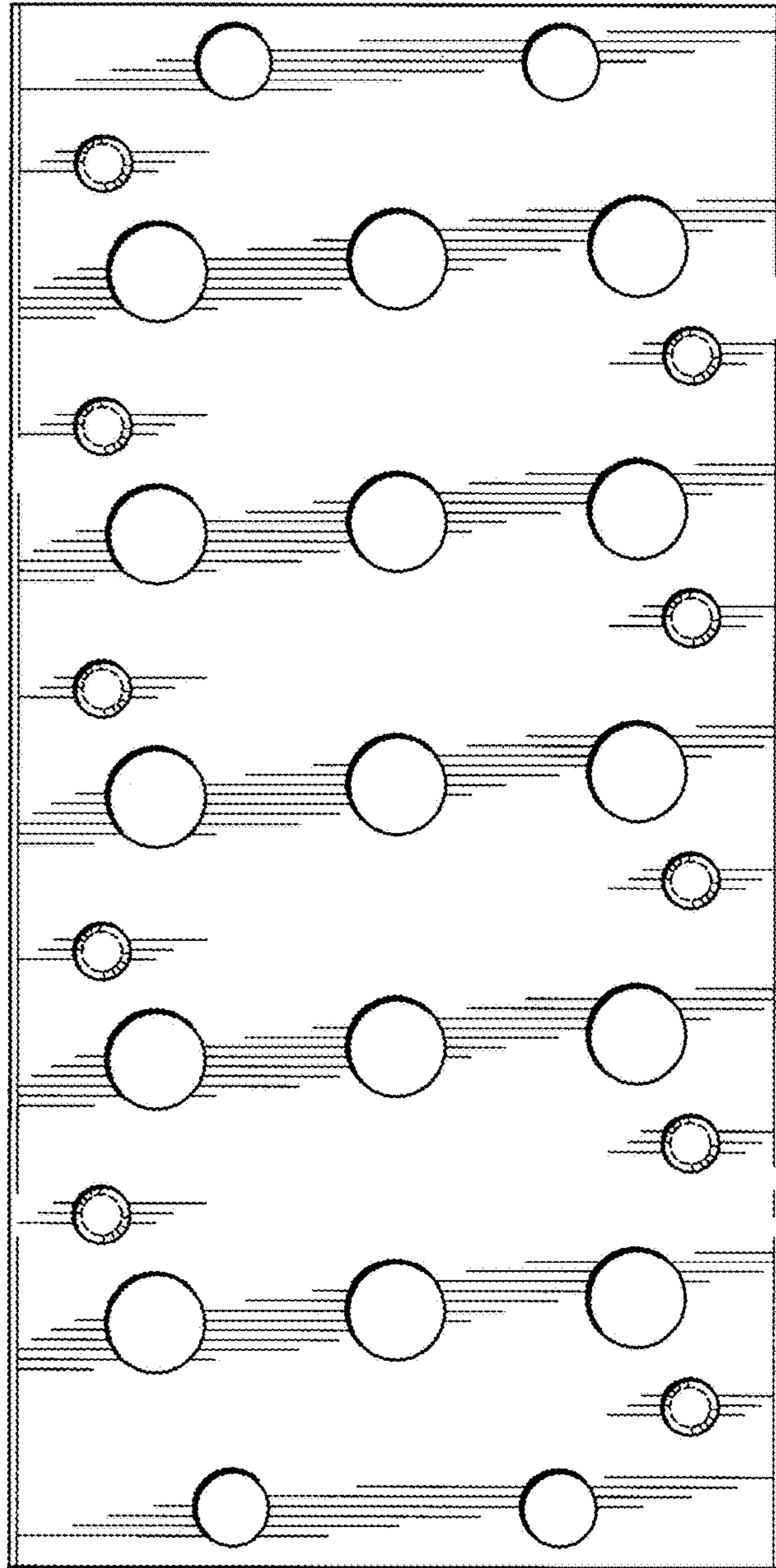


FIG. 5

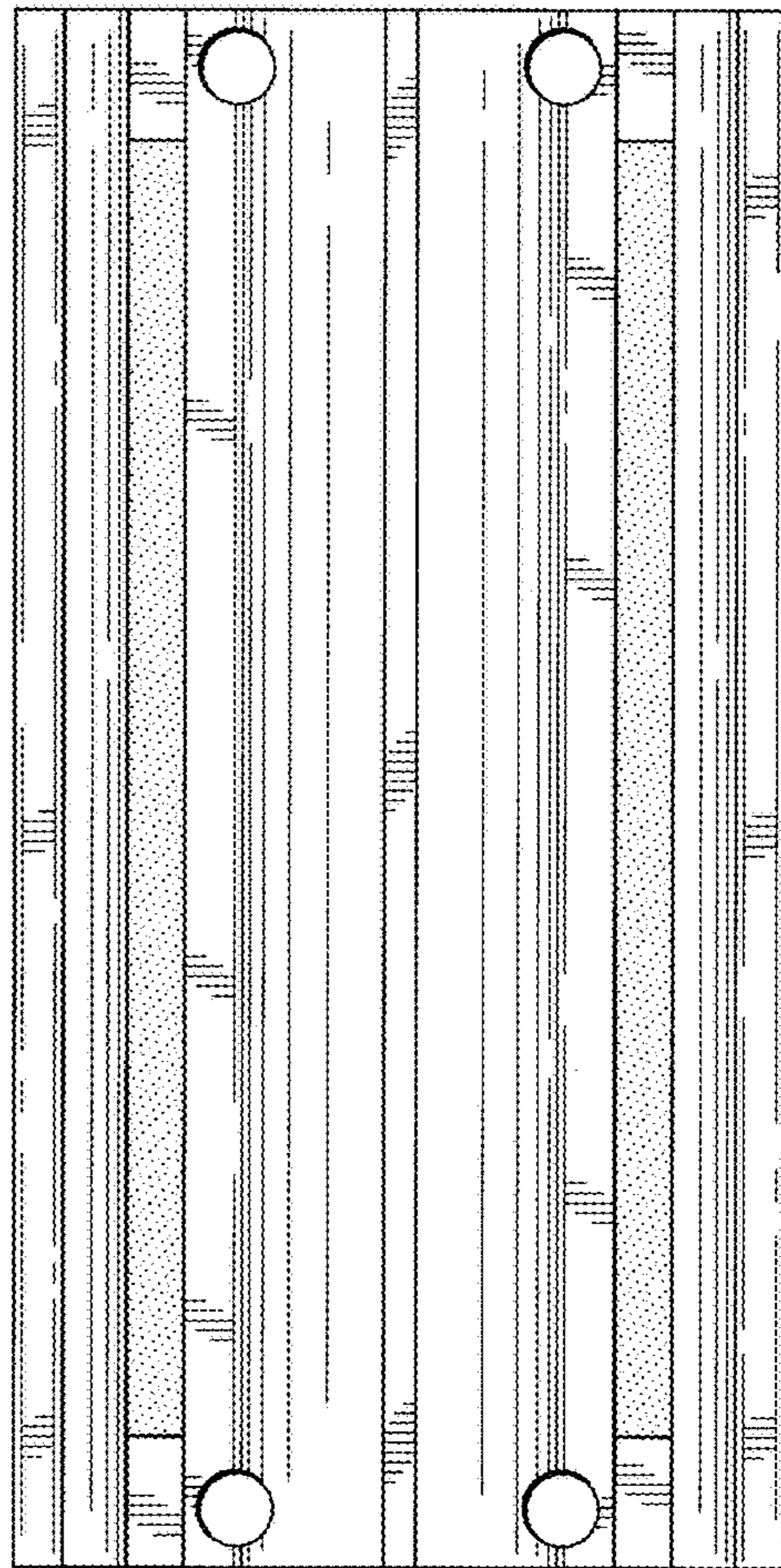


FIG. 6