



US00D811525S

(12) **United States Design Patent** (10) **Patent No.:** **US D811,525 S**
Hegdahl et al. (45) **Date of Patent:** **** Feb. 27, 2018**

(54) **RETENTION COLLAR FOR SPRAY GUN CUP**

D640,587 S 6/2011 Tanaka
D642,863 S * 8/2011 Tobias D7/510
D656,583 S 3/2012 Hudson, Jr. et al.

(Continued)

(71) Applicant: **3M INNOVATIVE PROPERTIES COMPANY**, St. Paul, MN (US)

FOREIGN PATENT DOCUMENTS

(72) Inventors: **Anna M. Hegdahl**, Brooklyn Park, MN (US); **Stephen C. P. Joseph**, Woodbury, MN (US)

CA 2466801 12/2004
NL 1033999 2/2009

(Continued)

(73) Assignee: **3M INNOVATIVE PROPERTIES COMPANY**, Saint Paul, MN (US)

OTHER PUBLICATIONS

(**) Term: **15 Years**

Graco, "CanConnect-Handheld 1 Quart Can Adapter," Feb. 2014, 2pgs.

(Continued)

(21) Appl. No.: **29/559,099**

Primary Examiner — Robins V Webster

(22) Filed: **Mar. 24, 2016**

Assistant Examiner — Rachel Voorhies

(51) **LOC (11) Cl.** **23-01**

(74) *Attorney, Agent, or Firm* — Aleksander Medved

(52) **U.S. Cl.**

(57) **CLAIM**

USPC **D23/225**

The ornamental design for a retention collar for spray gun cup, as shown and described.

(58) **Field of Classification Search**

DESCRIPTION

USPC D23/213, 223–225, 230, 283, 303

CPC B05B 9/08; B05B 7/2405; B05B 7/2408;

B05B 7/241; B05B 7/2421

See application file for complete search history.

FIG. 1 is a perspective view of a retention collar for spray gun cup embodying the new design; FIG. 2 is a front view thereof; FIG. 3 is a left side view thereof; FIG. 4 is a top view thereof; FIG. 5 is a bottom view thereof; and, FIG. 6 is a perspective view thereof assembled along with other components of a spray gun cup.

The rear view is a mirror image of the front view and is therefore not shown.

The right side view is a mirror image of the left side view and is therefore not shown.

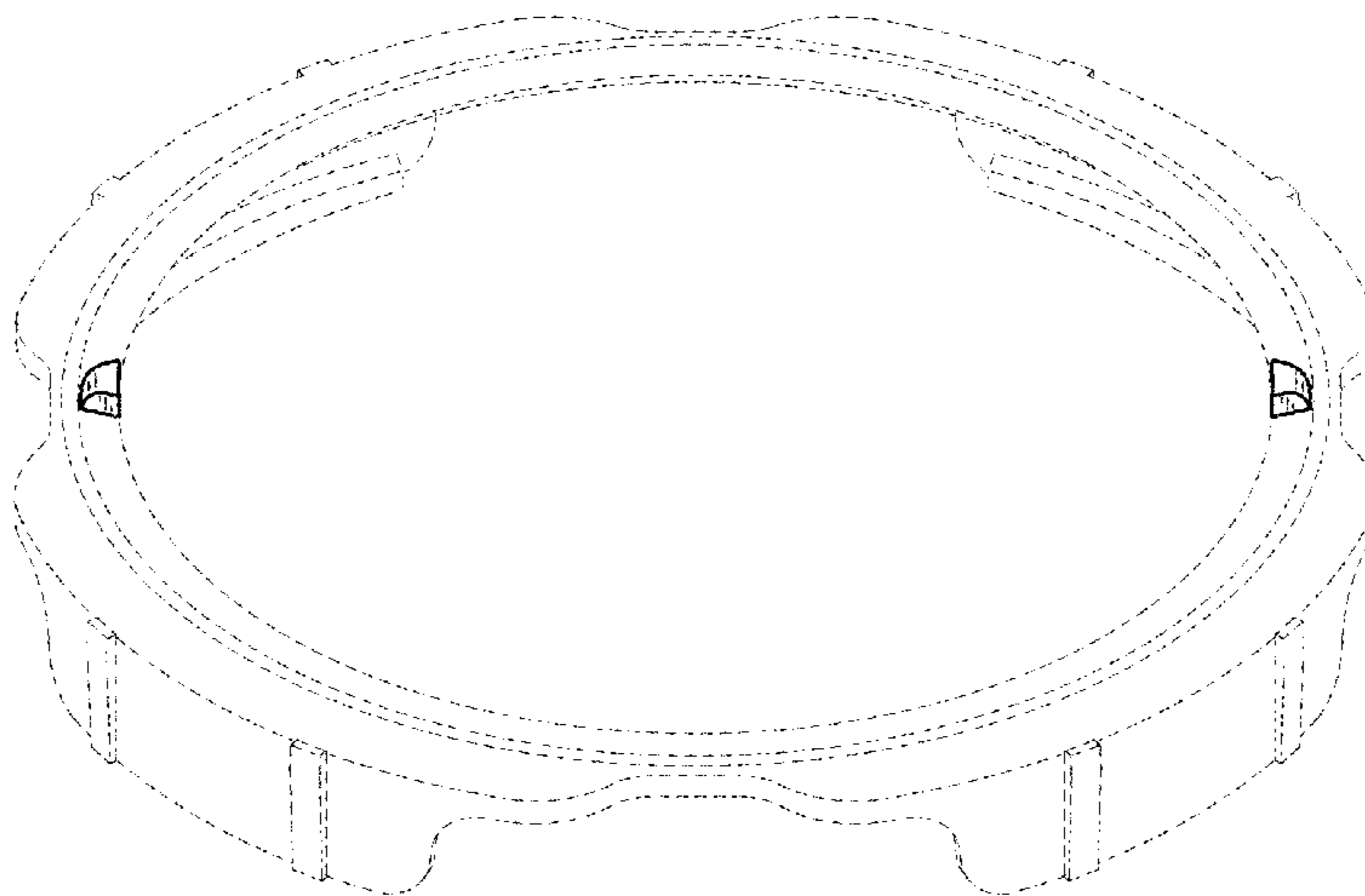
The broken lines in the drawings illustrate portions of the retention collar for spray gun cup which form no part of the claimed design.

(56) **References Cited**

U.S. PATENT DOCUMENTS

1,968,173 A 7/1934 Russell
2,037,240 A * 4/1936 Johnson B05B 7/2408
292/256.65
3,083,883 A * 4/1963 Glidden B05B 7/2408
222/464.1
D217,609 S * 5/1970 Vicknair D23/303
3,942,680 A * 3/1976 Seeley B05B 7/2408
220/293
D252,156 S * 6/1979 Tabony D23/260
D315,781 S * 3/1991 Hart D23/223
7,188,785 B2 3/2007 Joseph
D607,807 S 1/2010 Ohlhorst

1 Claim, 4 Drawing Sheets



(56)

References Cited

U.S. PATENT DOCUMENTS

D679,146 S 4/2013 Rincon
 8,444,067 B2 5/2013 Schmon
 D692,530 S * 10/2013 Gehrung D23/225
 D705,899 S 5/2014 Abernethy et al.
 8,857,649 B2 10/2014 Buchholz
 D717,104 S * 11/2014 Redfern D7/392.1
 D739,242 S 9/2015 Pitera et al.
 9,174,231 B2 11/2015 Shultz
 D747,497 S * 1/2016 Bell D24/220
 D755,345 S 5/2016 Luthi
 D755,575 S 5/2016 Pratt
 D779,632 S 2/2017 Johnson et al.
 2004/0256484 A1 12/2004 Joseph
 2005/0092770 A1 5/2005 Yechouron
 2006/0196891 A1 * 9/2006 Gerson B05B 7/2408
 222/386.5
 2008/0011879 A1 * 1/2008 Gerson B05B 7/2408
 239/337
 2008/0223087 A1 * 9/2008 Veldman D06F 19/00
 68/171
 2010/0288772 A1 * 11/2010 Wambeke B05B 7/2478
 220/373
 2011/0108579 A1 * 5/2011 Martorell Pena ... B05B 11/3049
 222/321.1
 2012/0273583 A1 * 11/2012 Gerson B05B 7/2408
 239/1
 2012/0291890 A1 11/2012 Pan
 2013/0105598 A1 5/2013 Schultz et al.
 2013/0153683 A1 * 6/2013 Lawrence B05B 7/2408
 239/302

2013/0221130 A1 8/2013 Joseph
 2014/0014741 A1 1/2014 Escoto, Jr. et al.
 2014/0103143 A1 * 4/2014 Lin B05B 7/2408
 239/379
 2014/0203098 A1 * 7/2014 Bierie B05B 7/2478
 239/1
 2015/0060568 A1 3/2015 Johnson et al.
 2015/0108135 A1 * 4/2015 Hanna B05B 7/2481
 220/495.06
 2015/0360812 A1 12/2015 Gerson et al.
 2016/0052002 A1 * 2/2016 Schulz B05B 7/2408
 239/302
 2016/0303594 A1 * 10/2016 Nyaribo B05B 7/2408

FOREIGN PATENT DOCUMENTS

WO 1998/32539 7/1998
 WO 2005/018815 3/2005

OTHER PUBLICATIONS

Graco, "XForce HD, Heavy Duty Cordless Airless Sprayer Optimized for Protective and Marine Coatings", 2012, 4 pgs.
 Kenna, "Eccentricity in Ellipses", Mathematics Magazine, Jan.-Feb. 1959, vol. 32, No. 3, pp. 133-135.
 Rummy Recycling Technologies Inc., "Paint & Solvent Solutions" Photograph, scanned in Feb. 2006.
 Rummy Recycling Technologies Inc., "Paint & Solvent Solutions" brochure with price list, 2004.

* cited by examiner

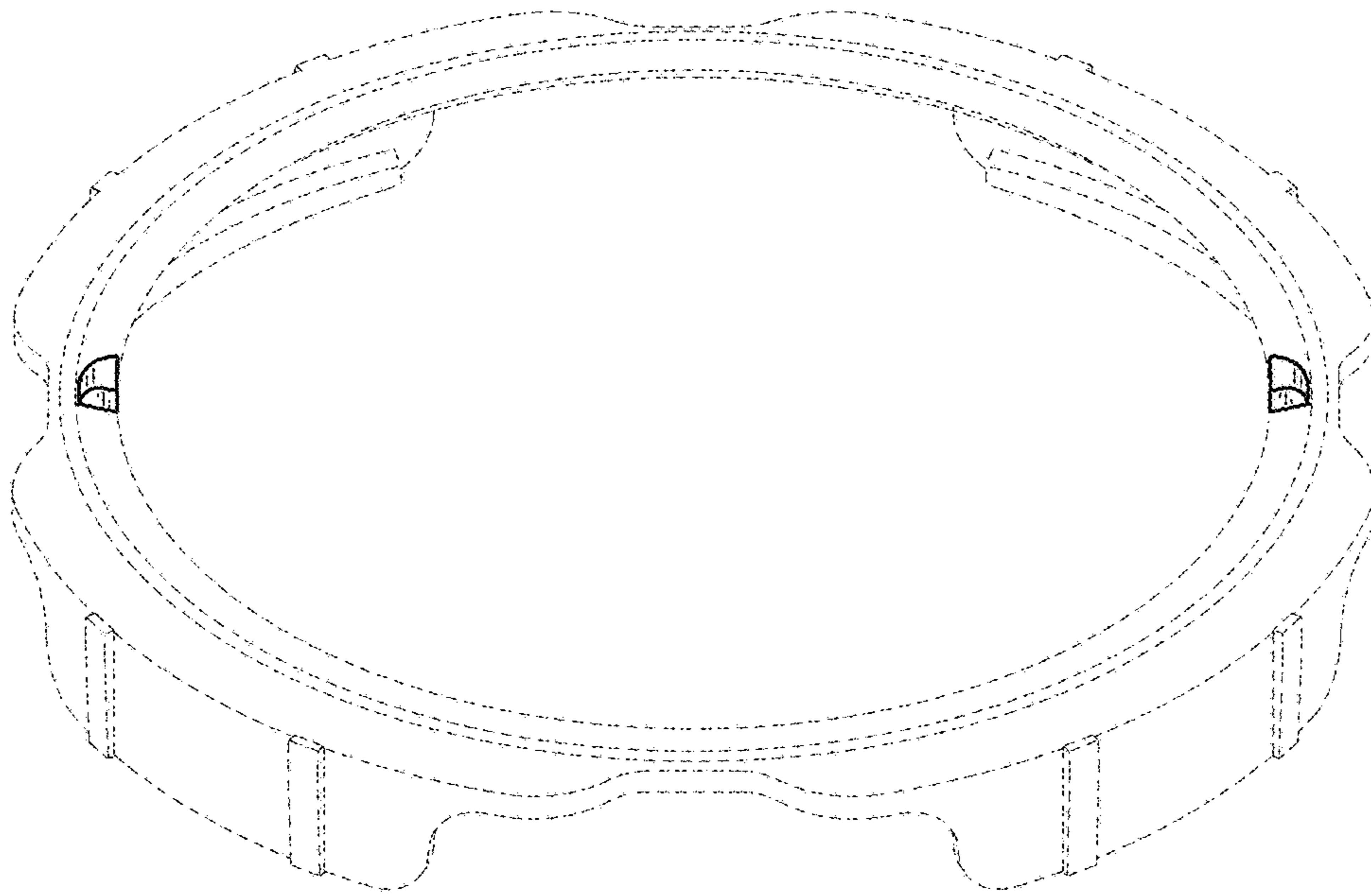


FIG. 1

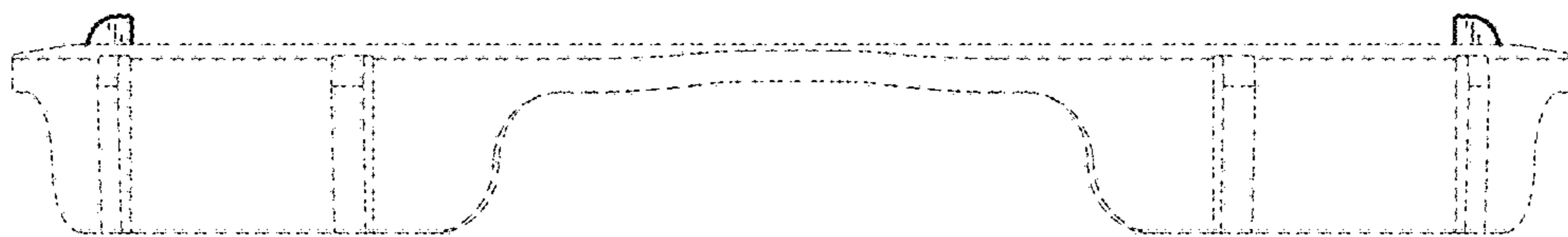


FIG. 2



FIG. 3

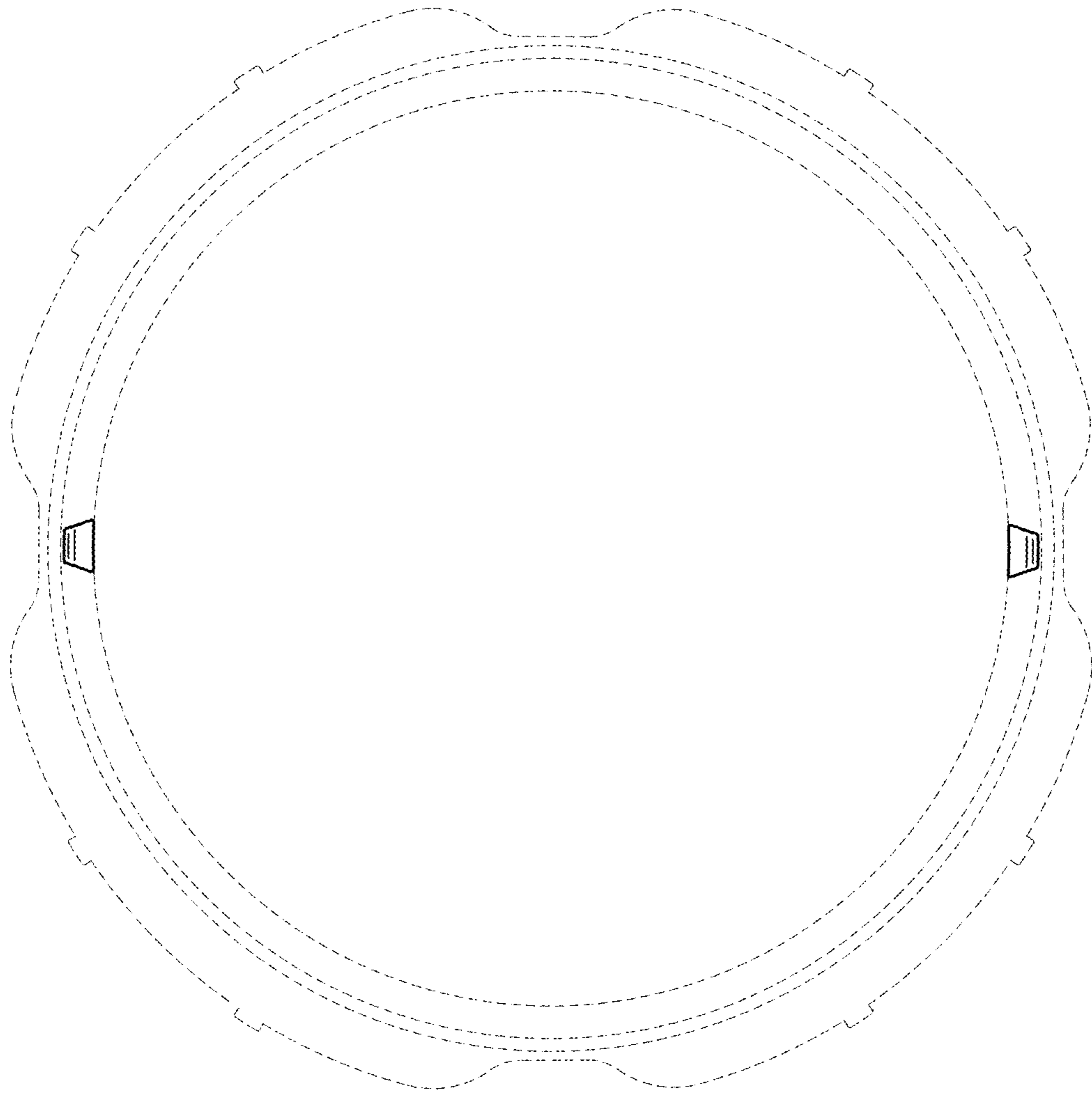


FIG. 4

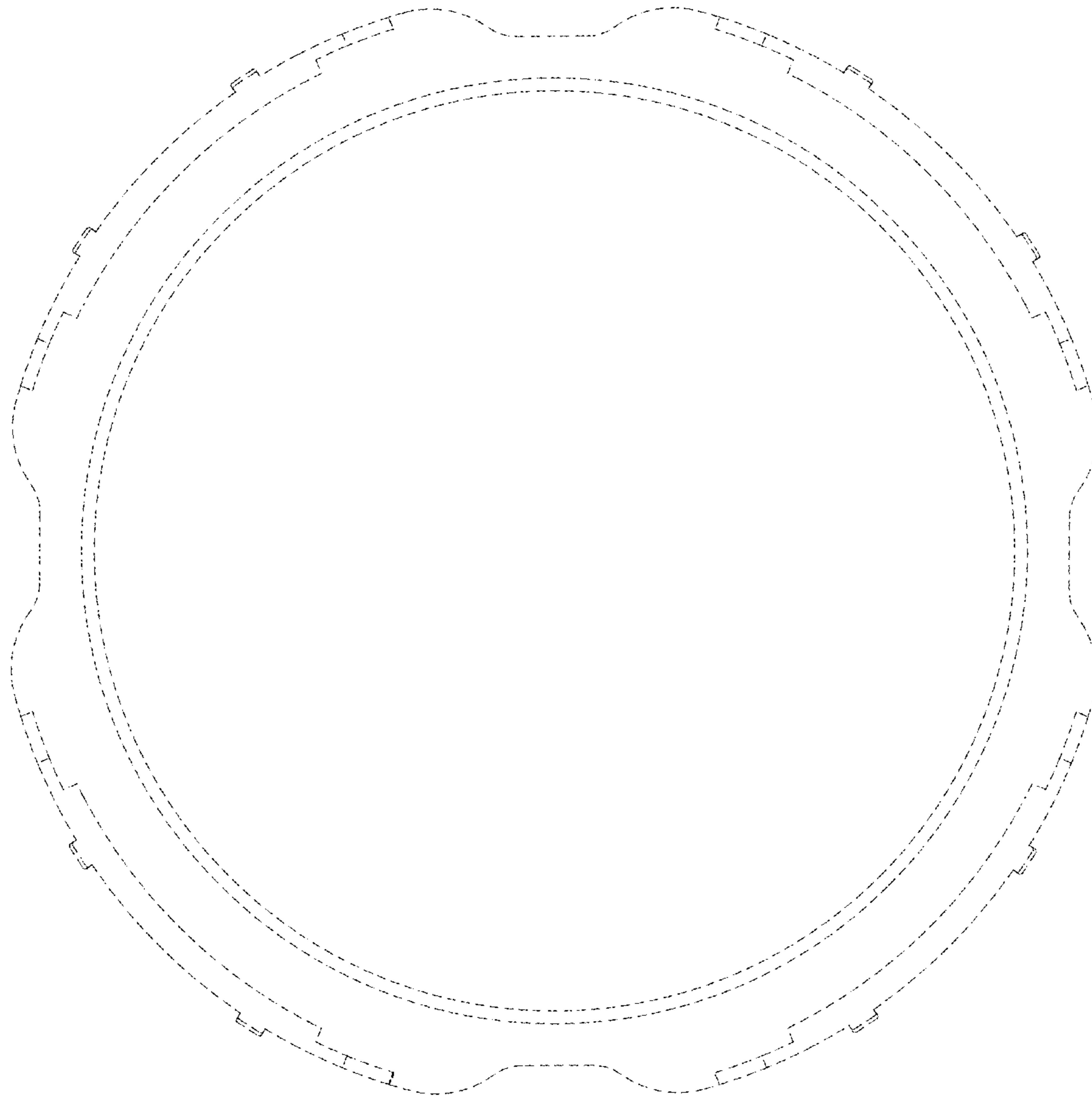


FIG. 5

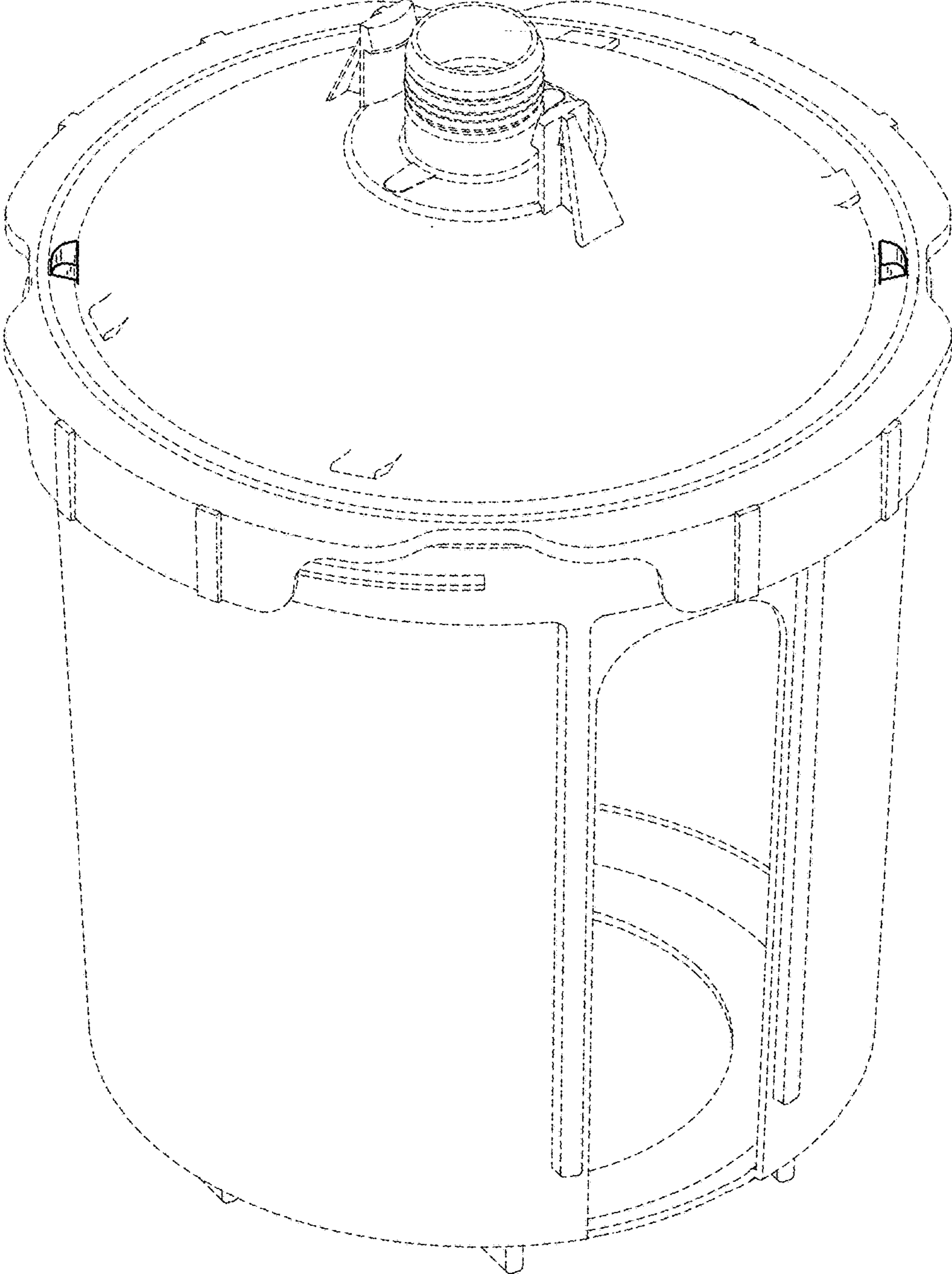


FIG. 6