



US00D811524S

(12) **United States Design Patent**
Bossini

(10) **Patent No.:** **US D811,524 S**

(45) **Date of Patent:** **** Feb. 27, 2018**

(54) **HAND SHOWER**

(71) Applicant: **BOSSINI S.P.A.**, Castenedolo (IT)

(72) Inventor: **Nadia Bossini**, Castenedolo (IT)

(73) Assignee: **BOSSINI, S.p.A.**, Castenedolo (IT)

(**) Term: **15 Years**

(21) Appl. No.: **35/501,014**

(22) Filed: **Mar. 16, 2016**

(80) **Hague Agreement Data**

Int. Filing Date: **Mar. 16, 2016**

Int. Reg. No.: **DM/090643**

Int. Reg. Date: **Mar. 16, 2016**

Int. Reg. Pub. Date: **May 27, 2016**

(51) **LOC (11) Cl.** **23-01**

(52) **U.S. Cl.**

USPC **D23/223**

(58) **Field of Classification Search**

USPC D23/213, 223, 226, 229, 230

CPC B05B 1/00; B05B 1/18; B05B 9/01

See application file for complete search history.

(56) **References Cited**

U.S. PATENT DOCUMENTS

D332,303 S *	1/1993	Klose	D23/223
D410,276 S *	5/1999	Ben-Tsur	D23/223
D434,829 S *	12/2000	Ben-Tsur	D23/223
D492,006 S *	6/2004	Haug	D23/223

D535,354 S *	1/2007	Wu	D23/223
D559,947 S *	1/2008	Tse	D23/223
D560,269 S *	1/2008	Tse	D23/223
D565,703 S *	4/2008	Lammel	D23/223
D580,513 S *	11/2008	Quinn	D23/223
D606,623 S *	12/2009	Whitaker	D23/223
D610,651 S *	2/2010	Wu	D23/223
D655,384 S *	3/2012	Schoenherr	D23/223
D655,385 S *	3/2012	Schoenherr	D23/223
D655,387 S *	3/2012	Schoenherr	D23/223
D659,795 S *	5/2012	Flowers	D23/223
D737,932 S *	9/2015	Nikles	D23/223
D785,138 S *	4/2017	Ho	D23/226

* cited by examiner

Primary Examiner — Michael A Pratt

(74) *Attorney, Agent, or Firm* — Thomas | Horstemeyer, LLP

(57) **CLAIM**

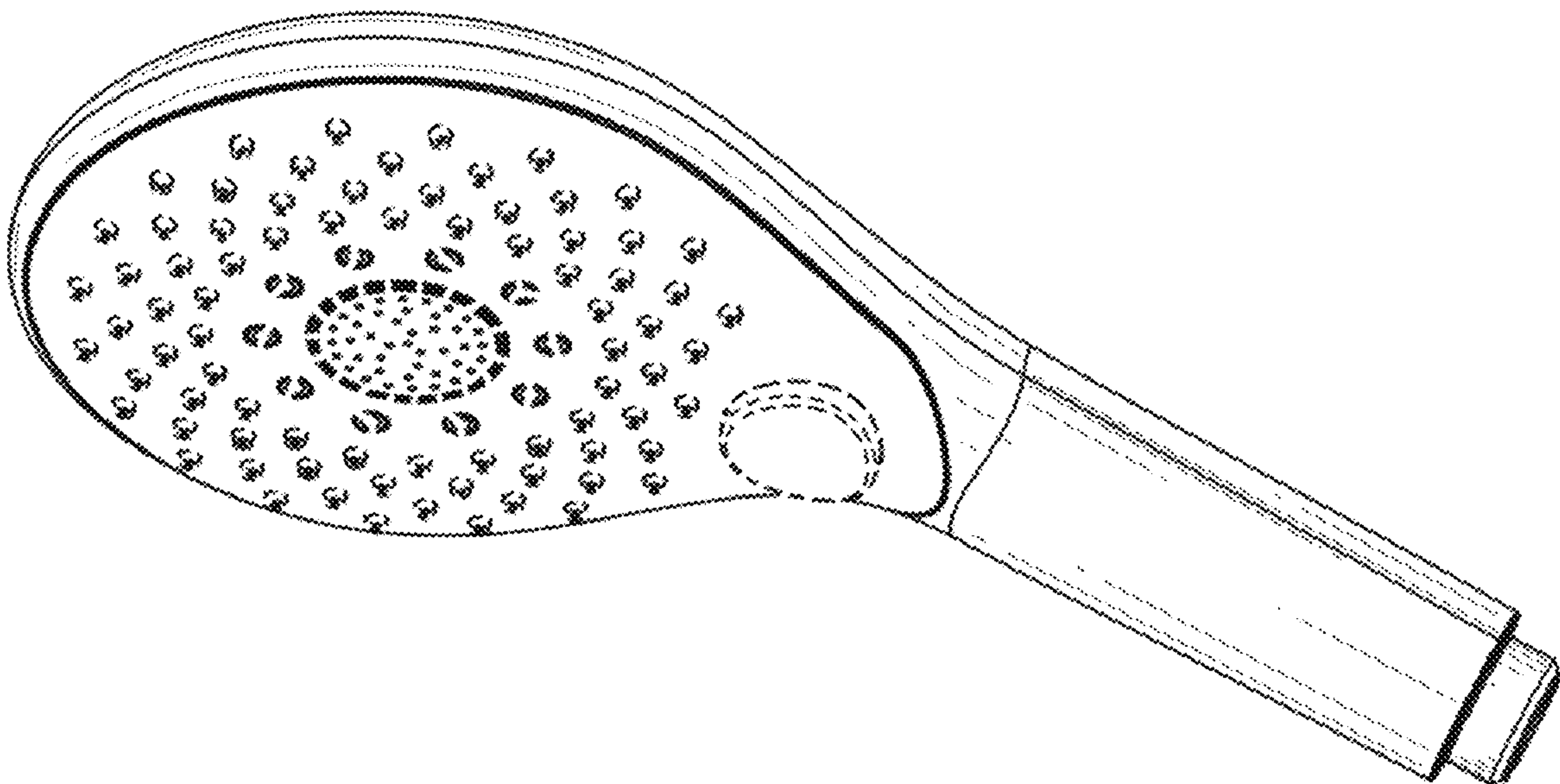
The ornamental design for a hand shower, as shown and described.

DESCRIPTION

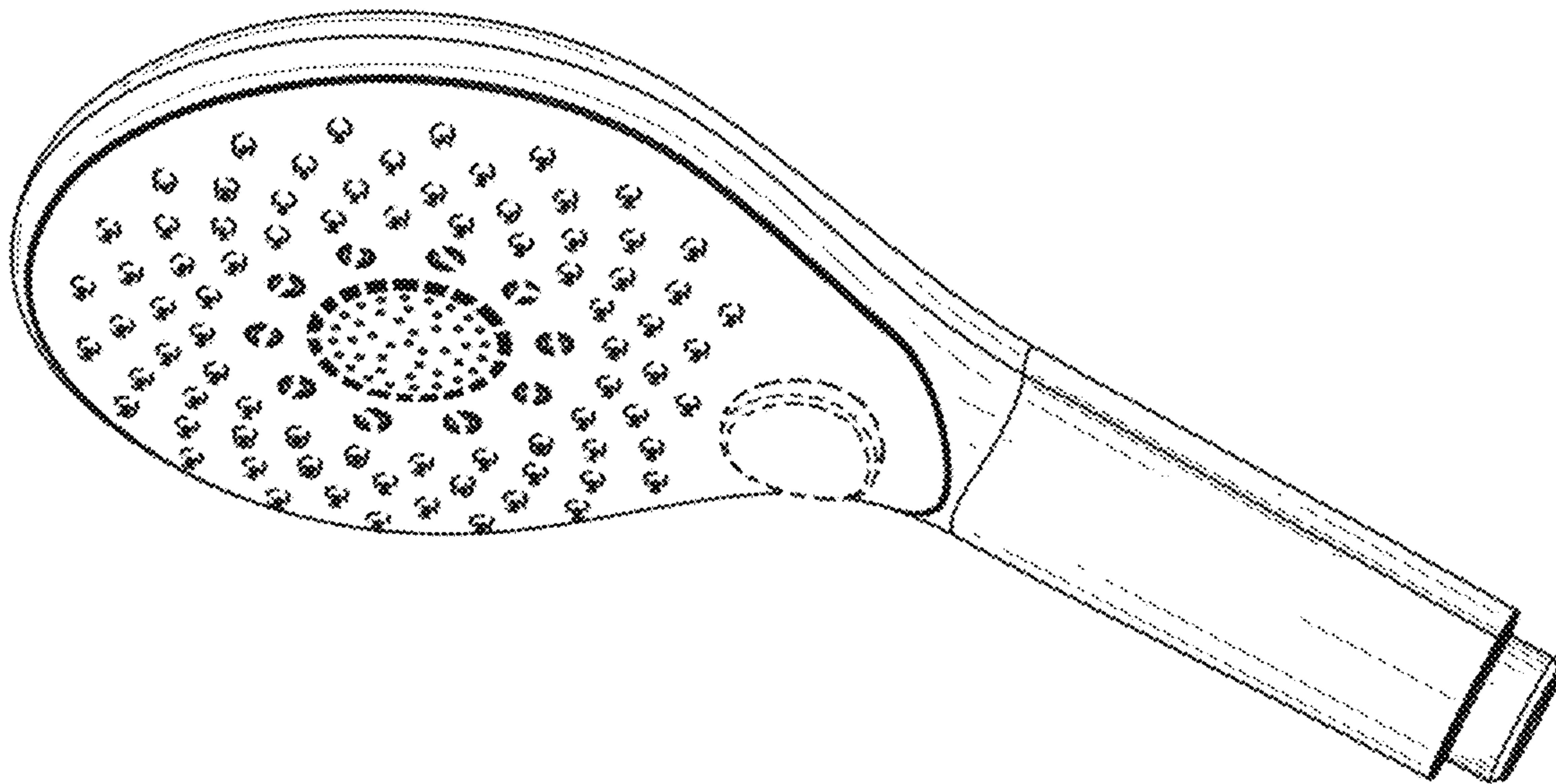
- 1.1 is a side view of a hand shower, showing my new design;
- 1.2 is a side view thereof;
- 1.3 is a front view thereof;
- 1.4 is a rear view thereof;
- 1.5 is a bottom view thereof; and
- 1.6 is a top view thereof.

The broken lines are shown for the purpose of illustrating portions of the hand shower that forms no part of the claimed design.

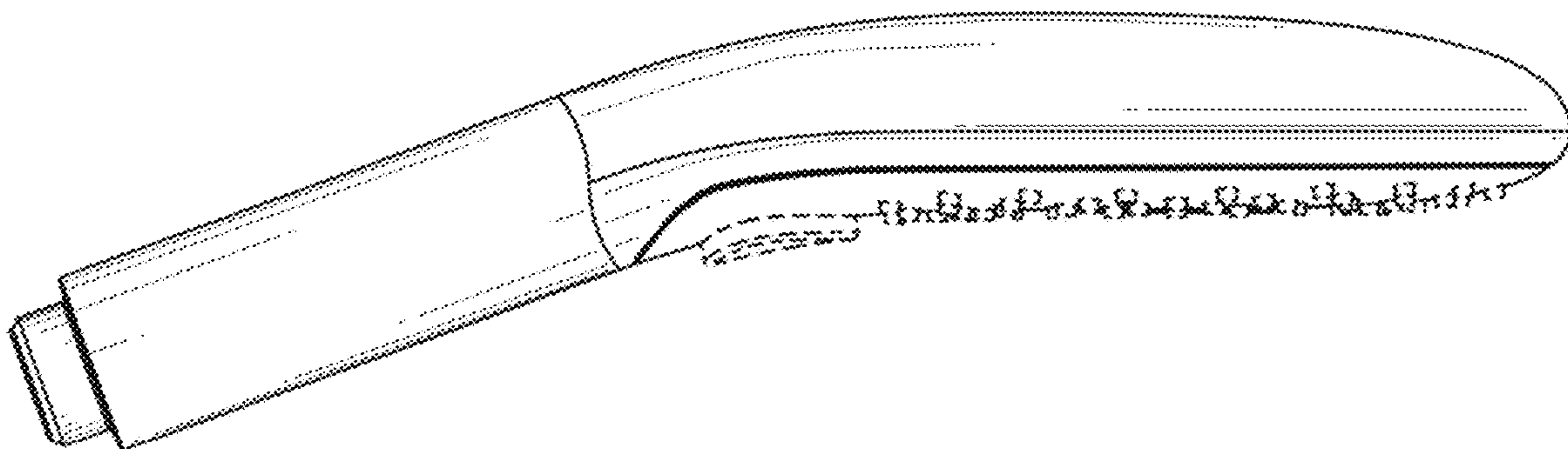
1 Claim, 6 Drawing Sheets



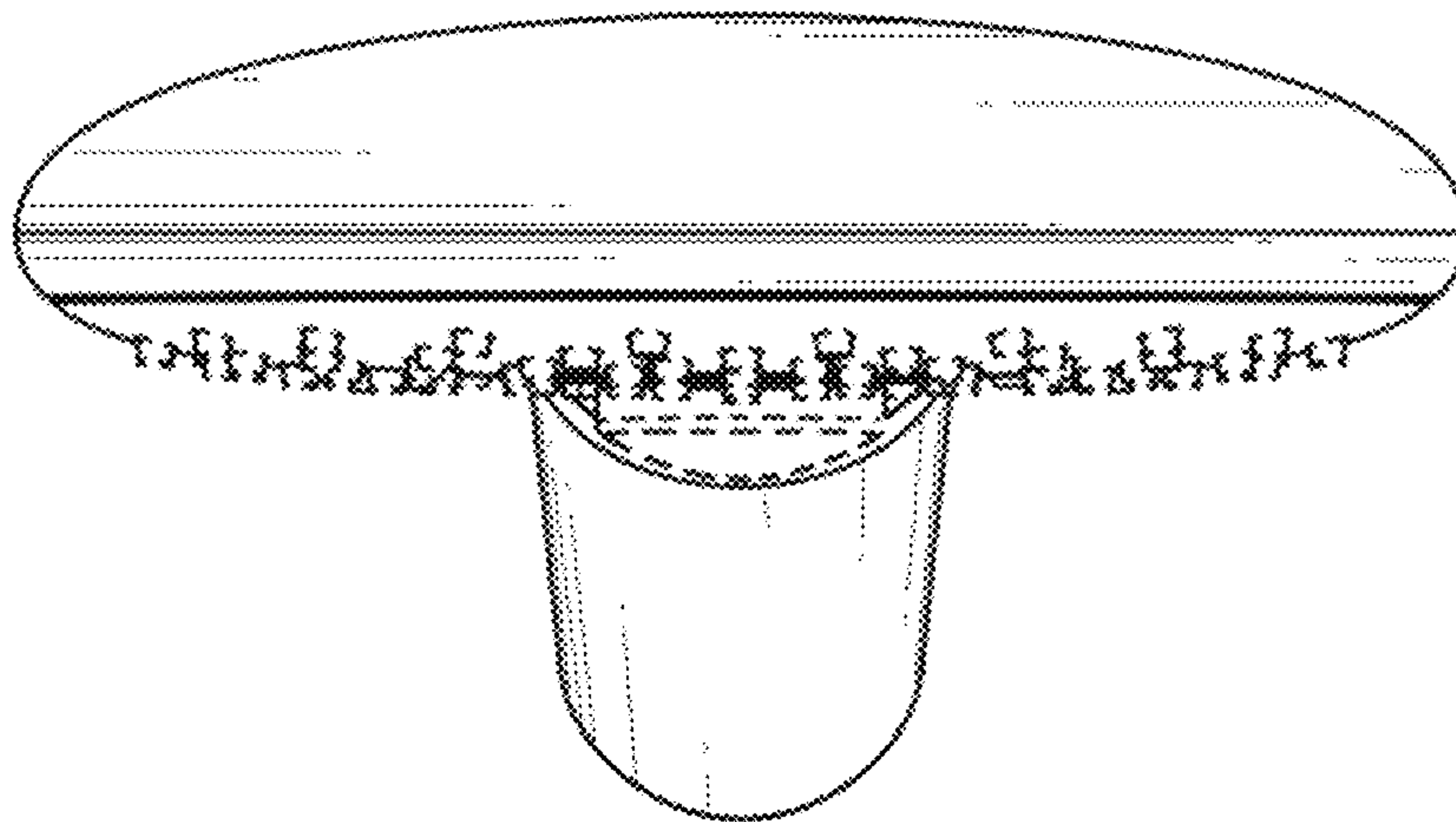
1.1



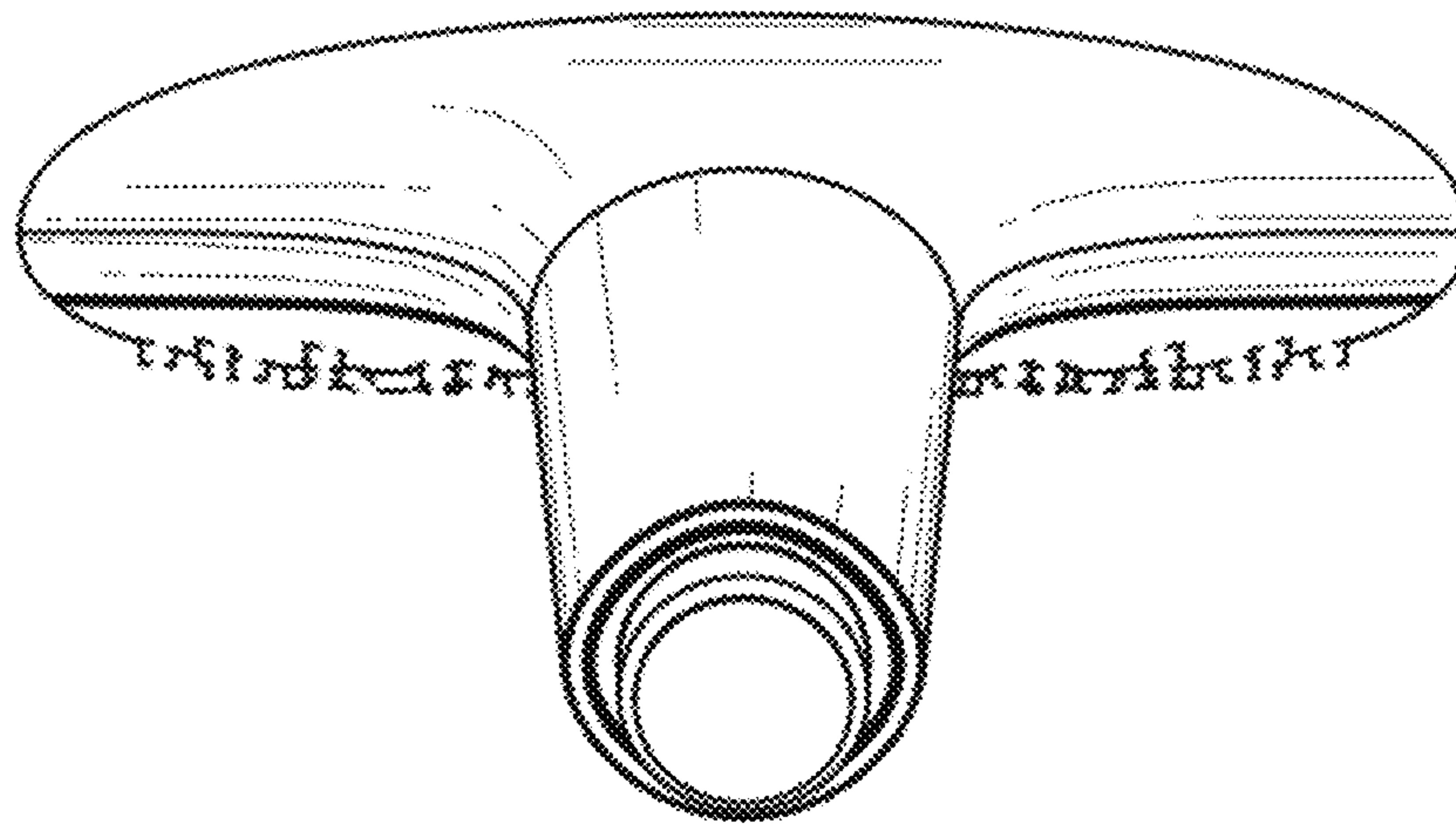
1.2



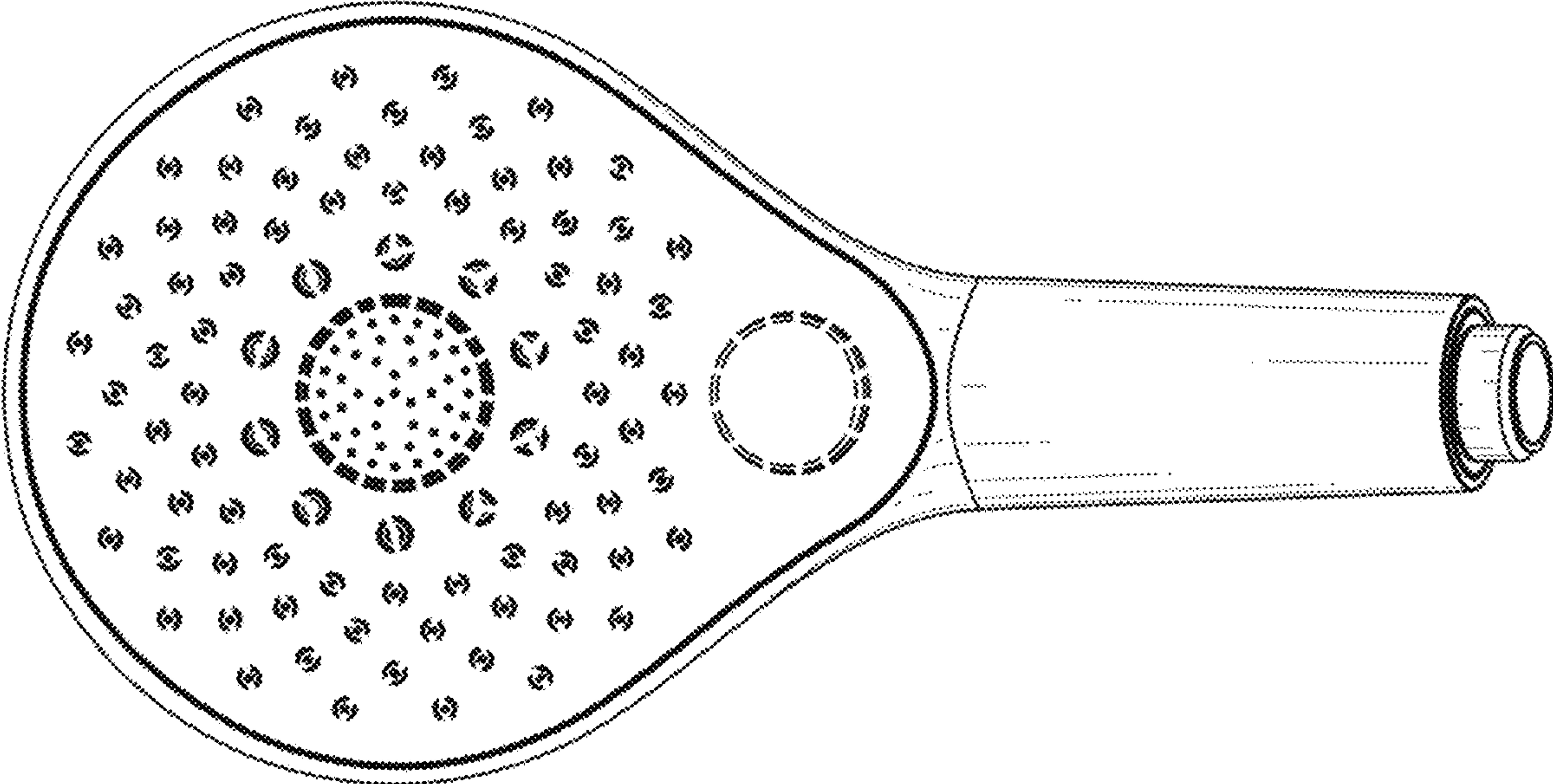
1.3



1.4



1.5



1.6

