



US00D811523S

(12) **United States Design Patent** (10) **Patent No.:** **US D811,523 S**
Andrew (45) **Date of Patent:** **** Feb. 27, 2018**

(54) **HANDHELD SHOWER**
(71) Applicant: **DELTA FAUCET COMPANY,**
Indianapolis, IN (US)
(72) Inventor: **Mercedita Andrew,** Indianapolis, IN
(US)
(73) Assignee: **DELTA FAUCET COMPANY,**
Indianapolis, IN (US)
(**) Term: **15 Years**
(21) Appl. No.: **29/577,763**
(22) Filed: **Sep. 15, 2016**
(51) **LOC (11) Cl.** **23-01**
(52) **U.S. Cl.**
USPC **D23/223**
(58) **Field of Classification Search**
USPC D23/213, 223, 226, 228, 229, 230, 304,
D23/532; 239/436, 447, 587.1
CPC B05B 15/066; B05B 1/18; B05B 1/00;
B05B 15/061; B05B 9/01; A47K 3/28;
E03C 1/06; E03C 1/046
See application file for complete search history.

D652,110 S * 1/2012 Nichols D23/223
D652,894 S * 1/2012 Nichols D23/223
D674,049 S * 1/2013 Genord D23/223
D696,381 S * 12/2013 Streitwieser D23/223
D697,582 S * 1/2014 McNinch D23/223
D731,026 S * 6/2015 Bahler D23/223

* cited by examiner

Primary Examiner — Robin V Webster
(74) *Attorney, Agent, or Firm* — Edgar A. Zarins; Nirav
D. Parikh

(57) **CLAIM**

The ornamental design for a handheld shower, as shown and described.

DESCRIPTION

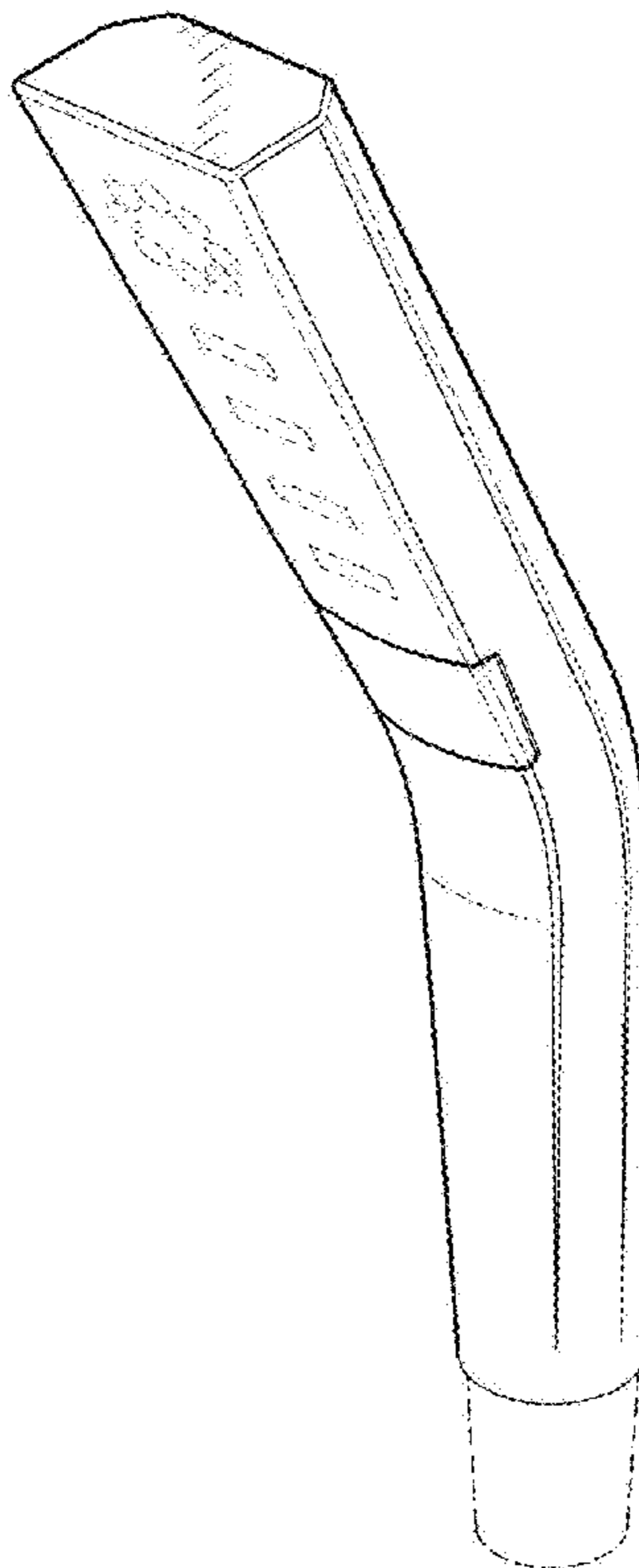
FIG. 1 is a perspective view of a handheld shower showing my new design;
FIG. 2 is a front elevational view thereof;
FIG. 3 is a rear view thereof;
FIG. 4 is a left side view thereof, the opposite side being a mirror image of the side shown;
FIG. 5 is a top end view thereof; and,
FIG. 6 is a bottom view thereof.
The broken line showing of portions of the handheld shower is included for the purpose of illustrating and forms no part of the claimed design.

(56) **References Cited**

U.S. PATENT DOCUMENTS

D575,845 S * 8/2008 Lobermeier D23/223
D652,108 S * 1/2012 Eads D23/223

1 Claim, 2 Drawing Sheets



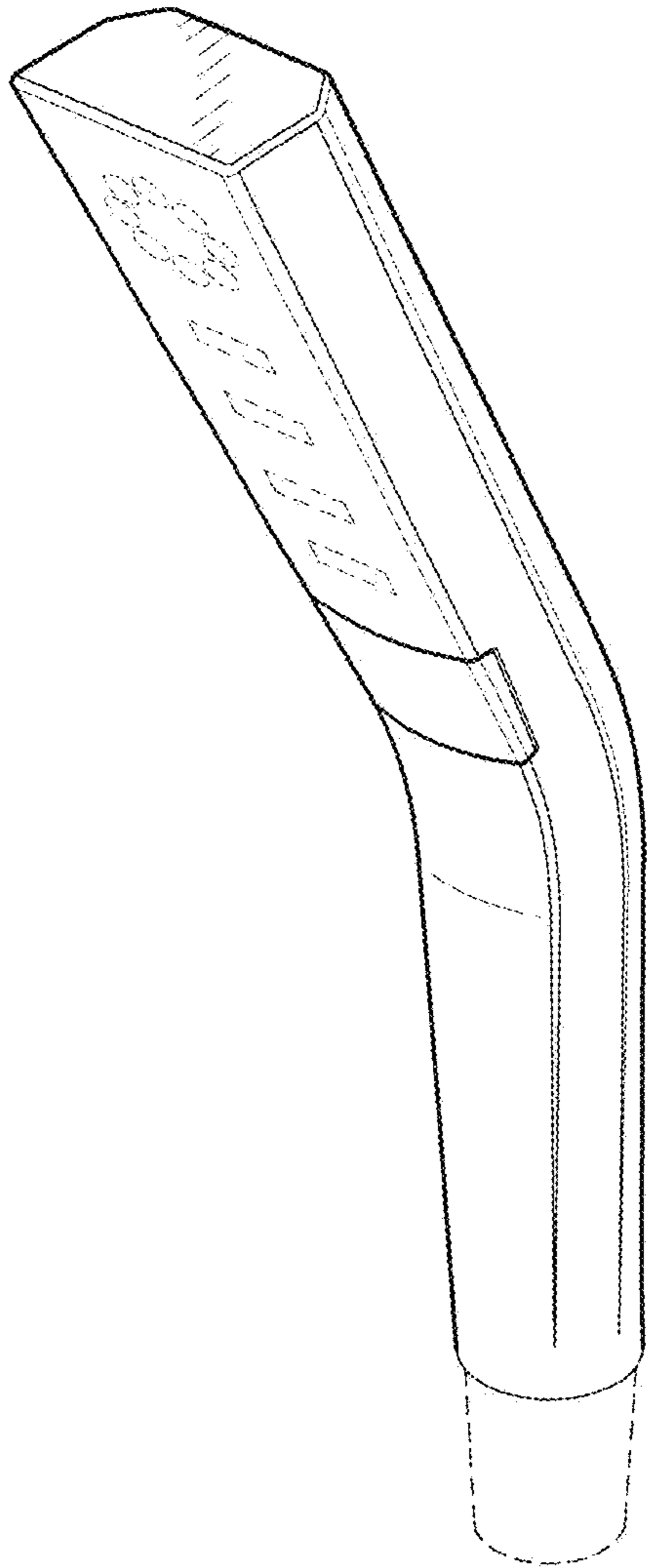


Fig-1

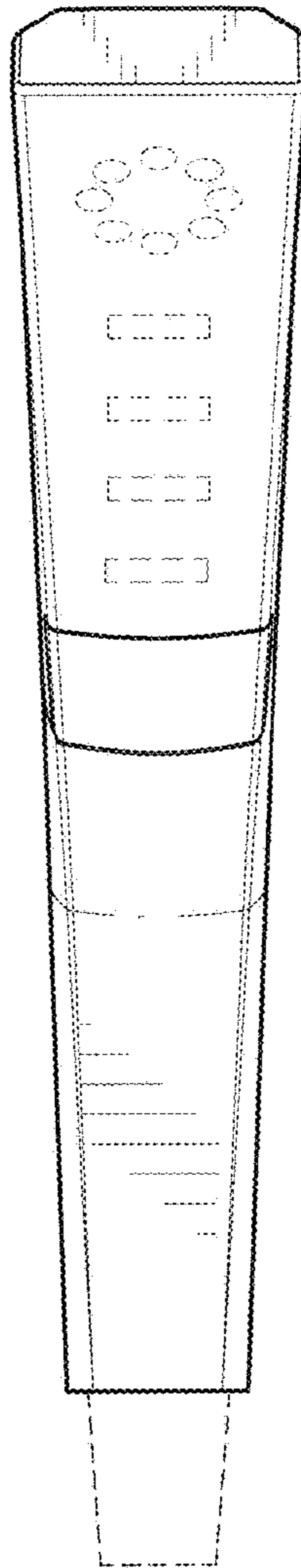


Fig-2

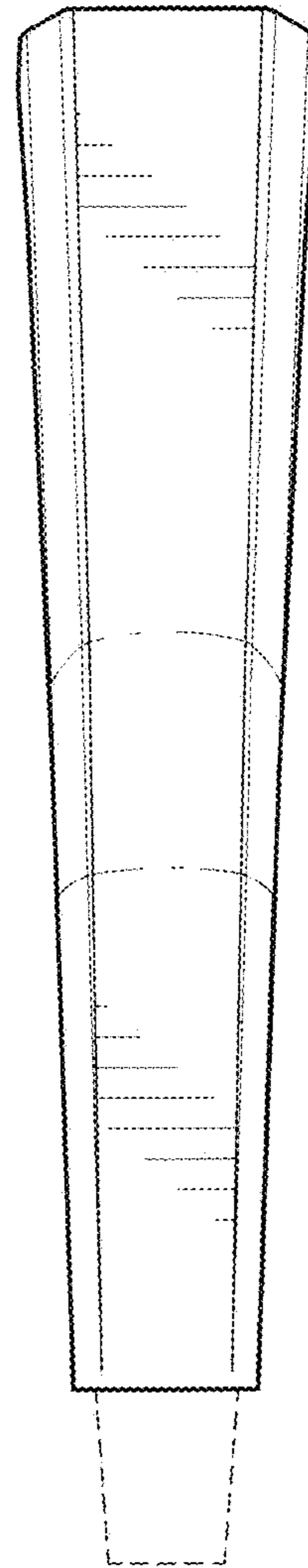


Fig-3

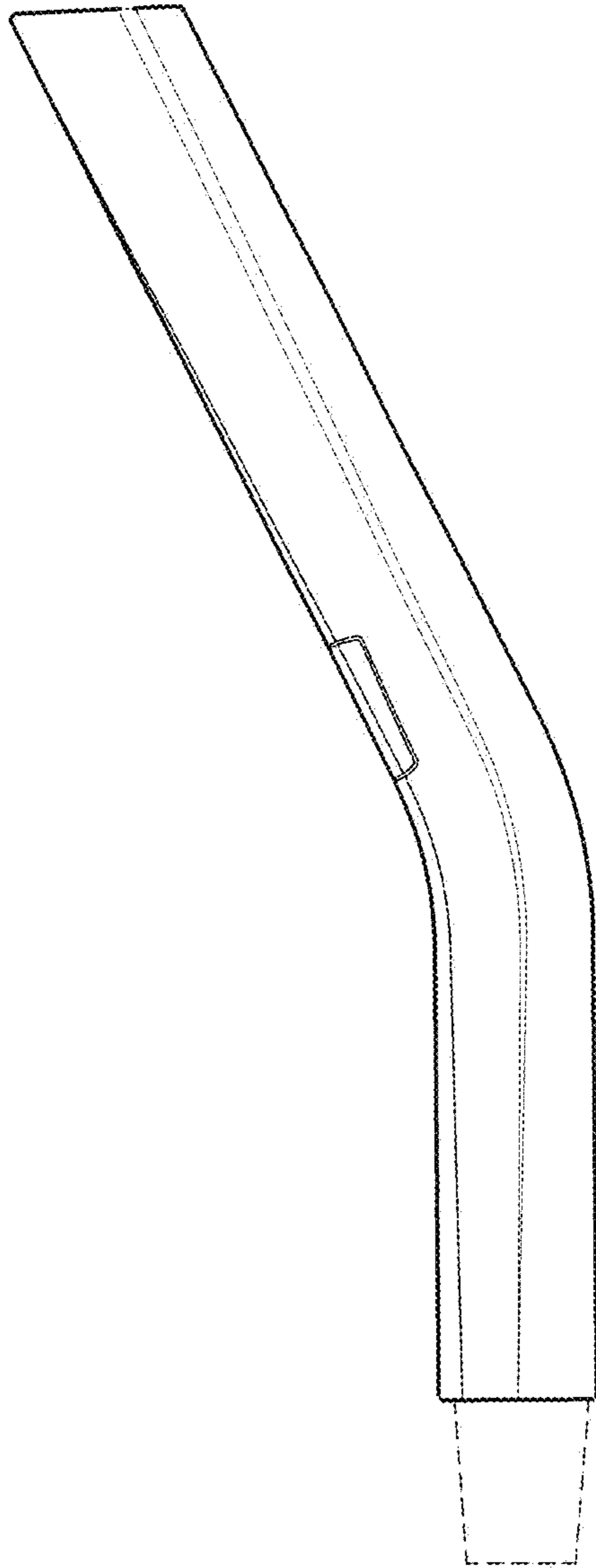


Fig-4

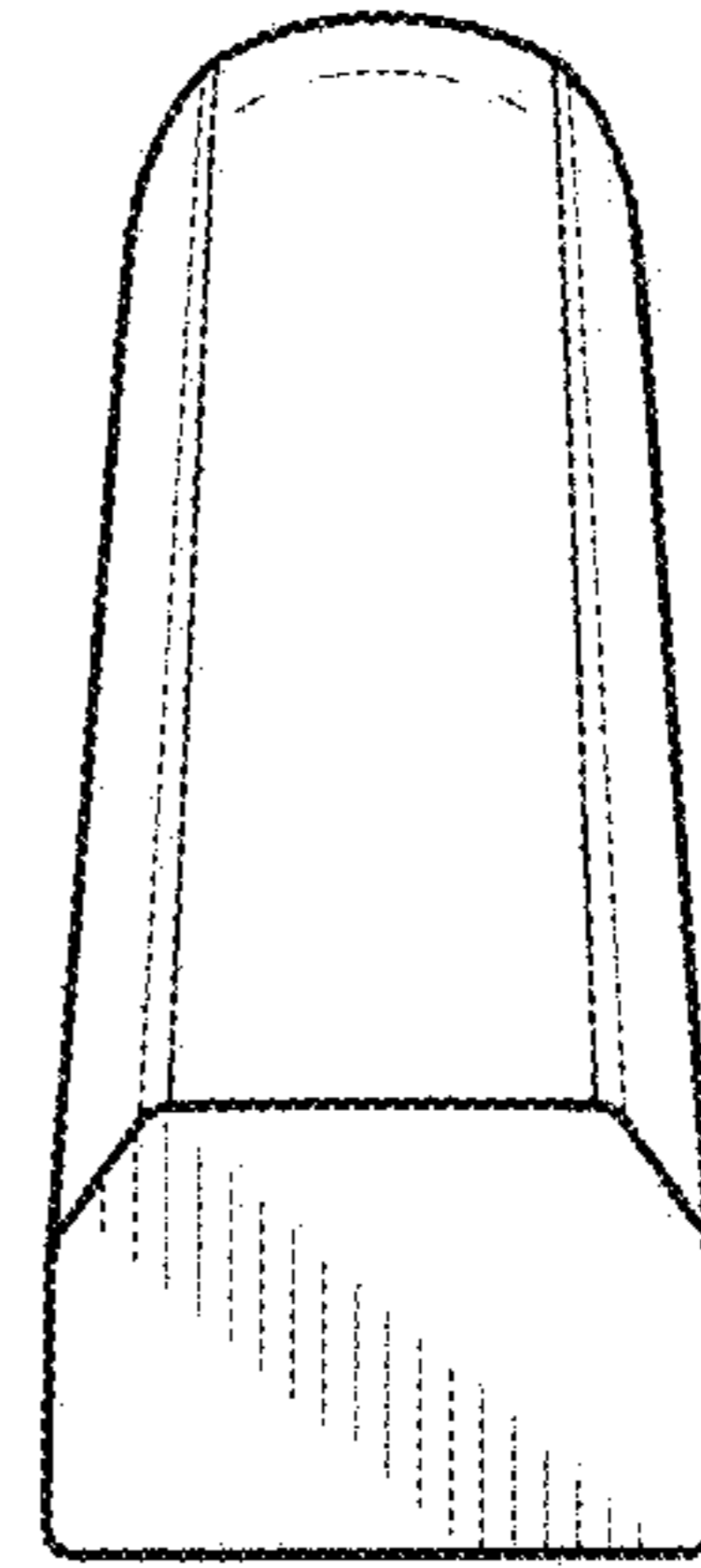


Fig-5

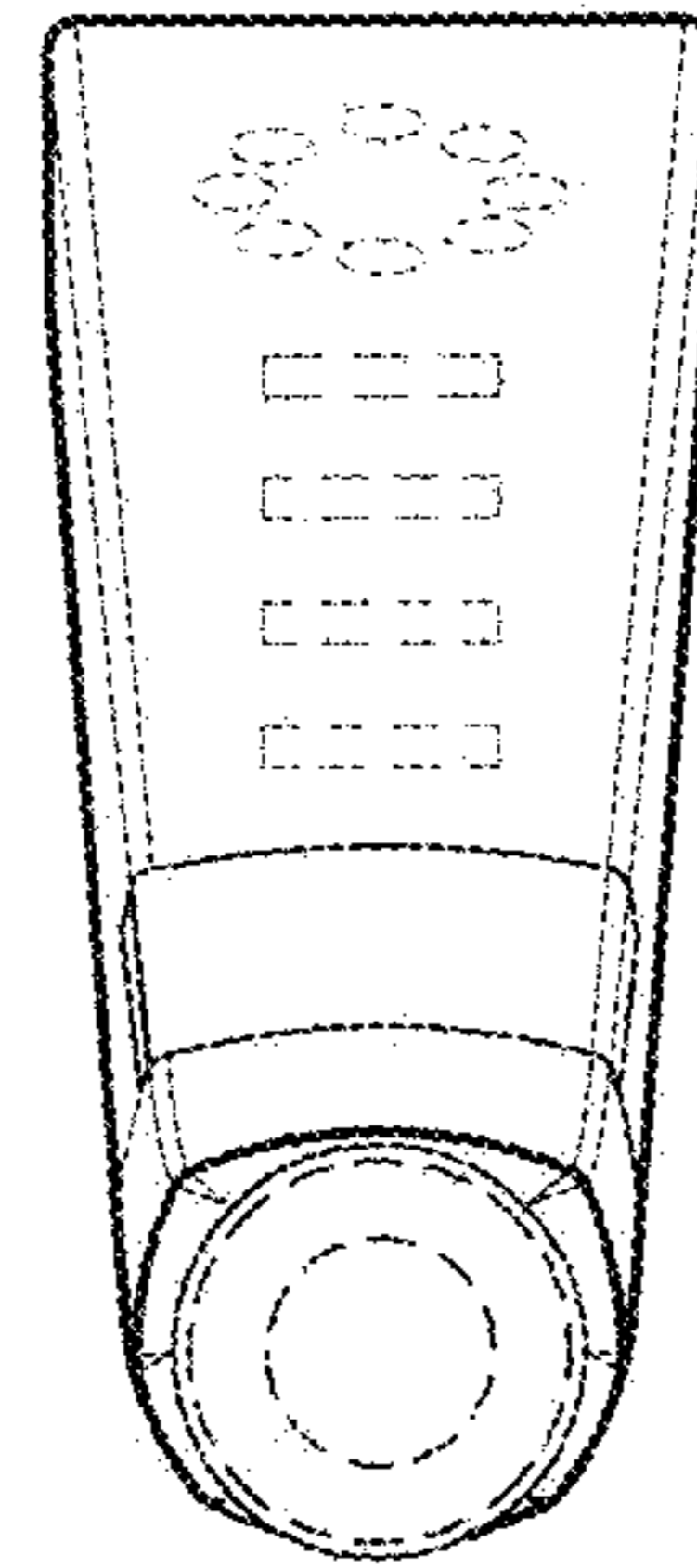


Fig-6