



US00D811522S

(12) **United States Design Patent** (10) **Patent No.:** **US D811,522 S**  
**Anderson** (45) **Date of Patent:** **\*\* Feb. 27, 2018**

(54) **FIRE SPRINKLER HEAD GUARD**  
(71) Applicant: **Metal Art, Inc.**, Middletown, IN (US)  
(72) Inventor: **Michael Anderson**, Middletown, IN (US)  
(73) Assignee: **Metal Art, Inc.**, Middletown, IN (US)  
(\*\*) Term: **15 Years**

(21) Appl. No.: **29/588,482**  
(22) Filed: **Dec. 21, 2016**  
(51) **LOC (11) Cl.** ..... **23-01**  
(52) **U.S. Cl.**  
USPC ..... **D23/214**  
(58) **Field of Classification Search**  
USPC .... D23/213, 214, 227; 239/288, 288.5, 208, 239/209; 169/37, 41, 51, 57  
CPC ..... A62C 31/02  
See application file for complete search history.

(56) **References Cited**  
**U.S. PATENT DOCUMENTS**  
781,159 A \* 1/1905 Reed ..... A62C 31/02 169/37  
855,205 A \* 5/1907 Scott ..... A62C 31/02 169/37  
1,469,336 A 10/1923 Rowley  
1,492,750 A \* 5/1924 Rogers ..... F24F 13/06 239/209  
3,727,695 A 4/1973 Danton  
3,797,746 A 3/1974 Gray et al.  
5,072,792 A \* 12/1991 Simons ..... A62C 37/08 169/37  
5,632,339 A 5/1997 Fenske et al.  
5,893,418 A 4/1999 Ponte  
6,036,118 A \* 3/2000 Walker ..... A62C 31/02 169/37  
7,900,852 B2 3/2011 Feenstra  
D663,009 S \* 7/2012 Koiwa ..... D23/214

D683,426 S \* 5/2013 Koiwa ..... D23/214  
D768,815 S \* 10/2016 Chen ..... D23/214  
2005/0035022 A1 2/2005 Ide et al.  
2006/0060671 A1 3/2006 Orr et al.  
2011/0290508 A1 12/2011 Hunsberger  
2012/0267453 A1 10/2012 DeVaney  
2012/0325931 A1 12/2012 Croser  
2014/0361100 A1 12/2014 Hunsberger

**OTHER PUBLICATIONS**

SprinklerGUARD, LLC, <http://www.sprinklerguard.com>, <http://www.sprinklerguard.com/inline-guard> and <http://www.sprinklerguard.com/endline-guard>, accessed Jan. 13, 2017.

\* cited by examiner

*Primary Examiner* — Robin V Webster  
(74) *Attorney, Agent, or Firm* — Woodard, Emhardt, Moriarty, McNett & Henry LLP; William McKenna; Kenneth Gandy

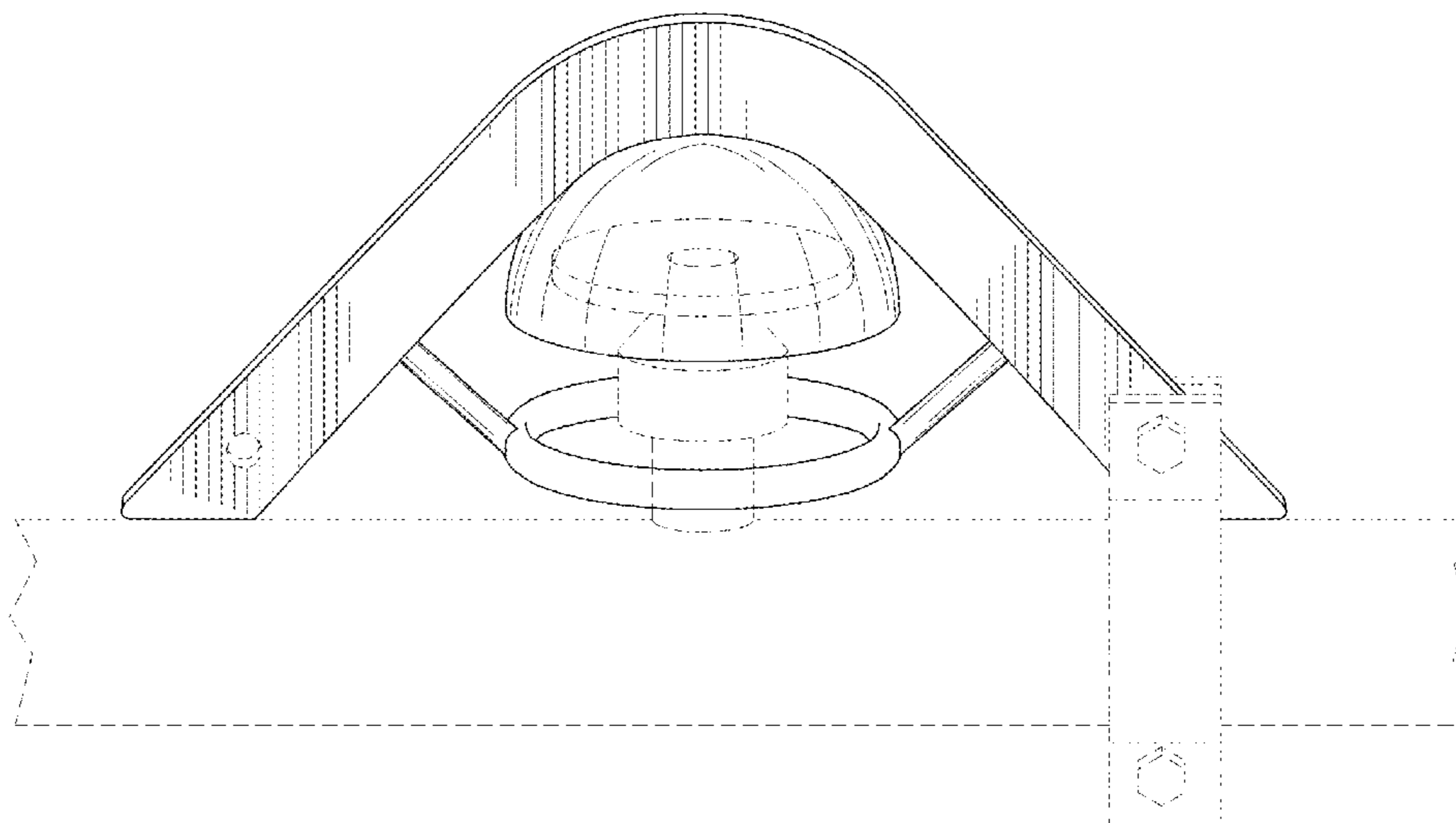
(57) **CLAIM**

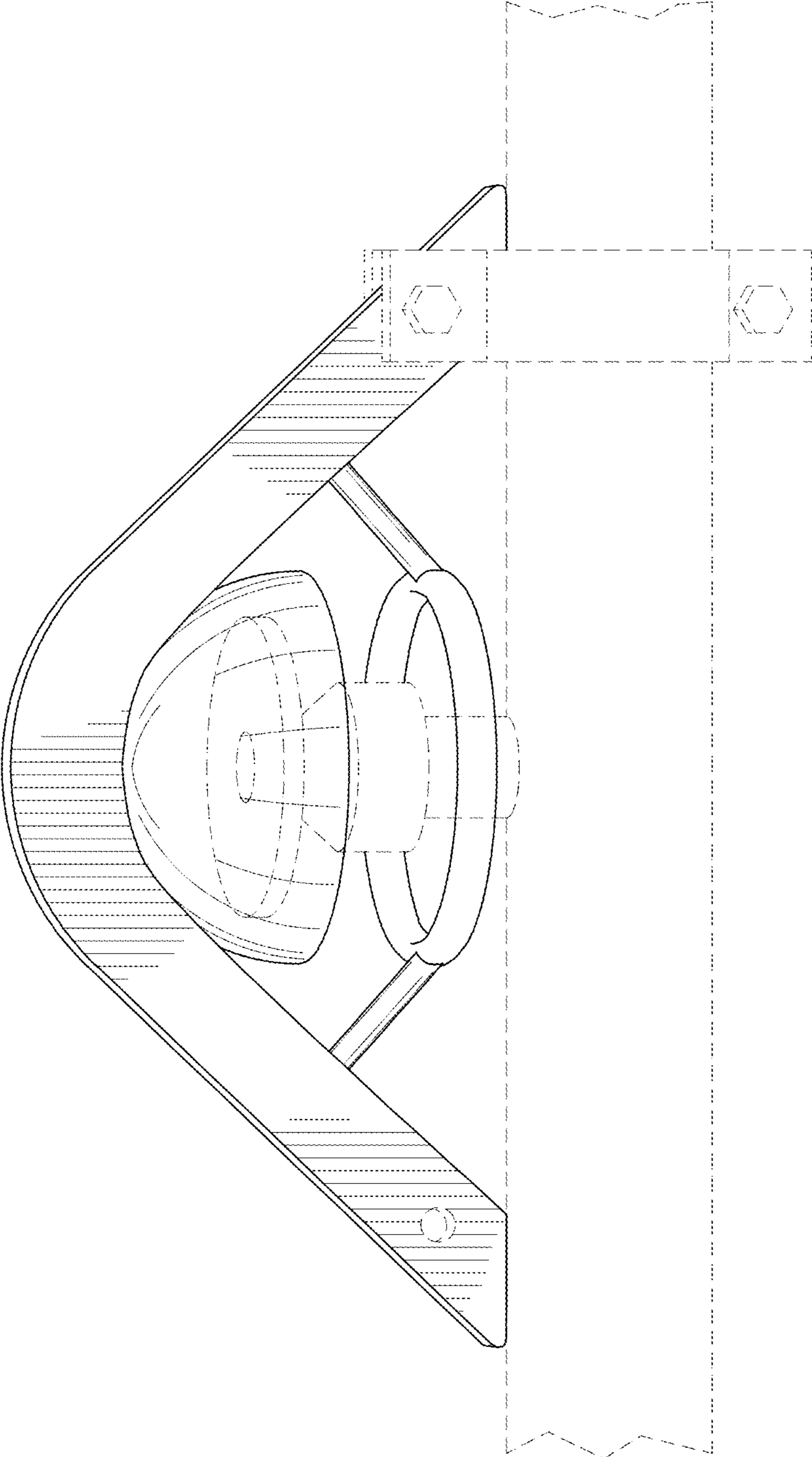
The ornamental design for a fire sprinkler head guard, as shown and described.

**DESCRIPTION**

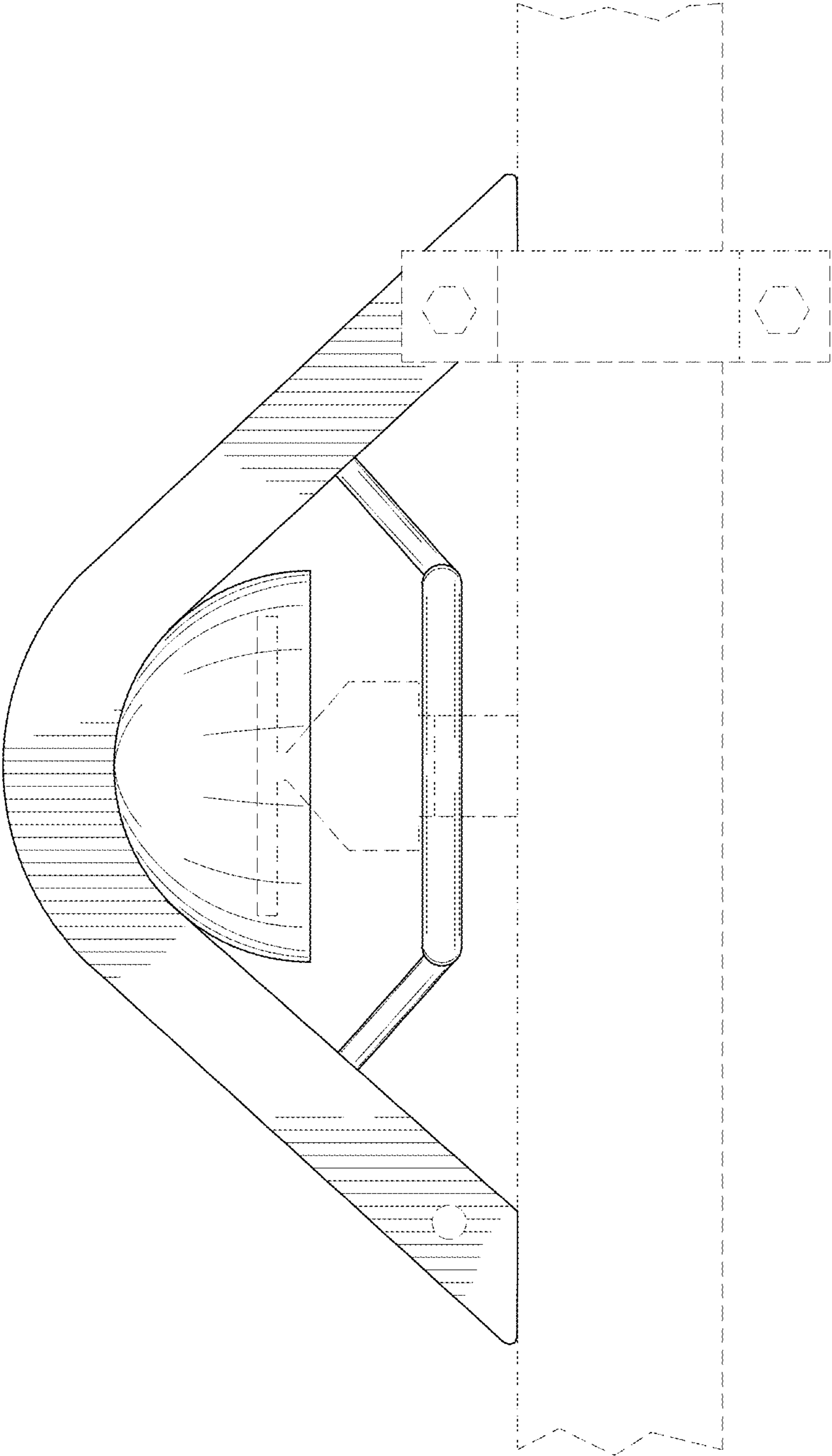
FIG. 1 is a front perspective view of the fire sprinkler head guard showing the new design, the rear perspective view is a mirror image of the illustrated front perspective view; FIG. 2 is a rear plan view of the fire sprinkler head guard showing the new design, the front plan view is a mirror image of the illustrated rear plan view; and, FIG. 3 is a left side view of the fire sprinkler head guard showing the new design, the right side view is a mirror image of the illustrated left side view. The broken line showing of environmental structure is included for the purpose of illustrating and forms no part of the claimed design.

**1 Claim, 3 Drawing Sheets**

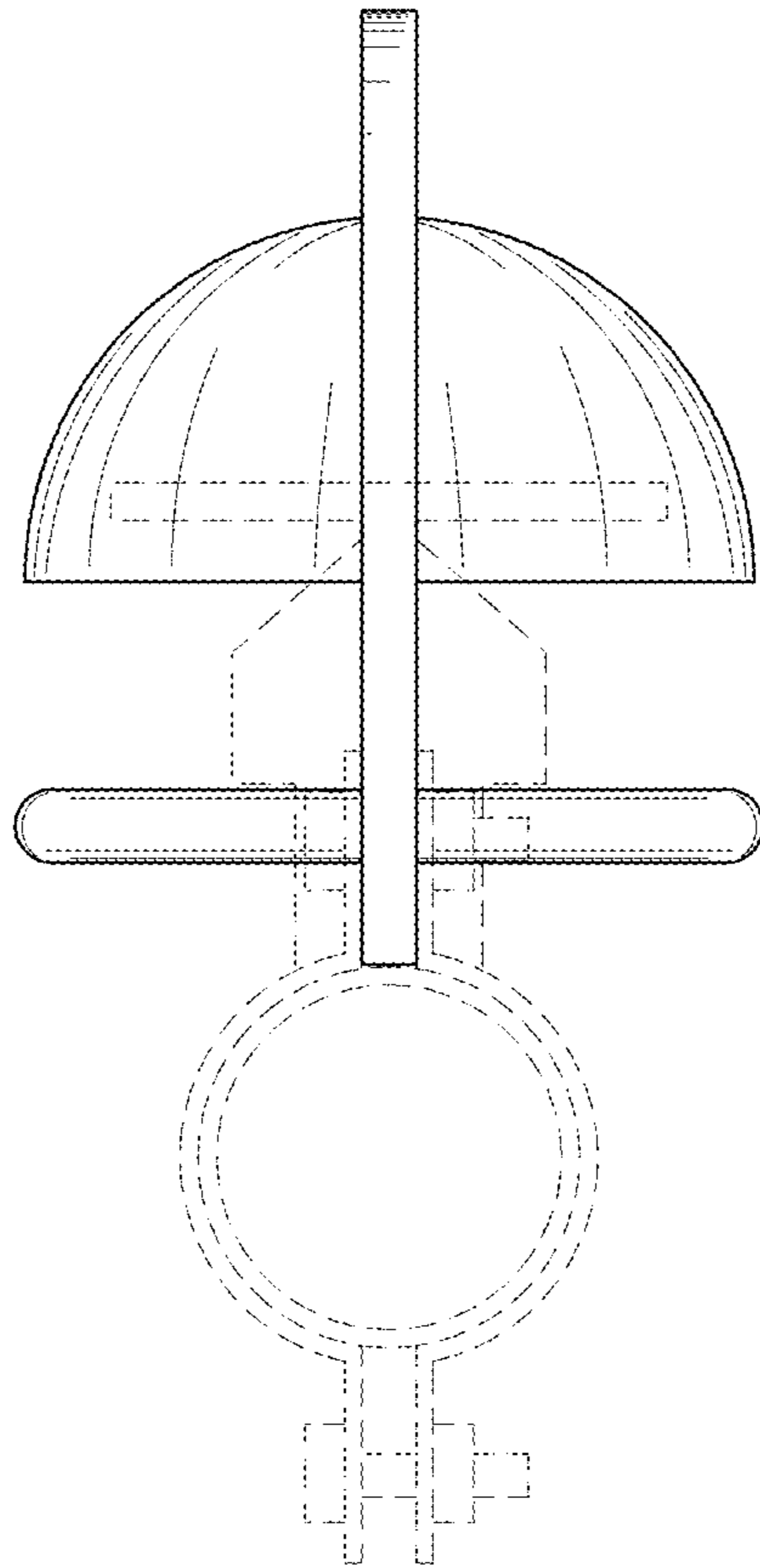




**Fig. 1**



**Fig. 2**



**Fig. 3**