



US00D811521S

(12) **United States Design Patent**  
**Bamford**

(10) **Patent No.:** **US D811,521 S**

(45) **Date of Patent:** **\*\* Feb. 27, 2018**

(54) **NOZZLE FOR TAPS**  
(71) Applicant: **Nigel Bamford**, Brighton & Hove (GB)  
(72) Inventor: **Nigel Bamford**, Brighton & Hove (GB)  
(\*\*) Term: **15 Years**  
(21) Appl. No.: **29/576,838**  
(22) Filed: **Sep. 7, 2016**  
(51) **LOC (11) Cl.** ..... **23-01**  
(52) **U.S. Cl.**  
USPC ..... **D23/213**  
(58) **Field of Classification Search**  
USPC ..... D23/213; D7/398; 222/571;  
239/599-601  
CPC ..... E03C 1/086  
See application file for complete search history.

4,905,911 A \* 3/1990 Sakuma ..... B05B 1/042  
239/599  
5,143,302 A \* 9/1992 Sakuma ..... B05B 1/042  
239/599  
6,402,062 B1 \* 6/2002 Bendig ..... B05B 1/042  
239/589  
6,712,293 B2 \* 3/2004 Swan ..... B05B 1/046  
239/419.5  
7,219,849 B1 \* 5/2007 Hedger ..... B05B 1/26  
239/543  
7,552,881 B2 \* 6/2009 Liphthall ..... B05B 1/042  
239/432  
8,079,534 B2 \* 12/2011 Fecht ..... B05B 1/042  
239/590.5

\* cited by examiner

*Primary Examiner* — Robin V Webster  
(74) *Attorney, Agent, or Firm* — O’Shea Getz P.C.

(57) **CLAIM**

The ornamental design for nozzle for taps, as shown and described.

(56) **References Cited**

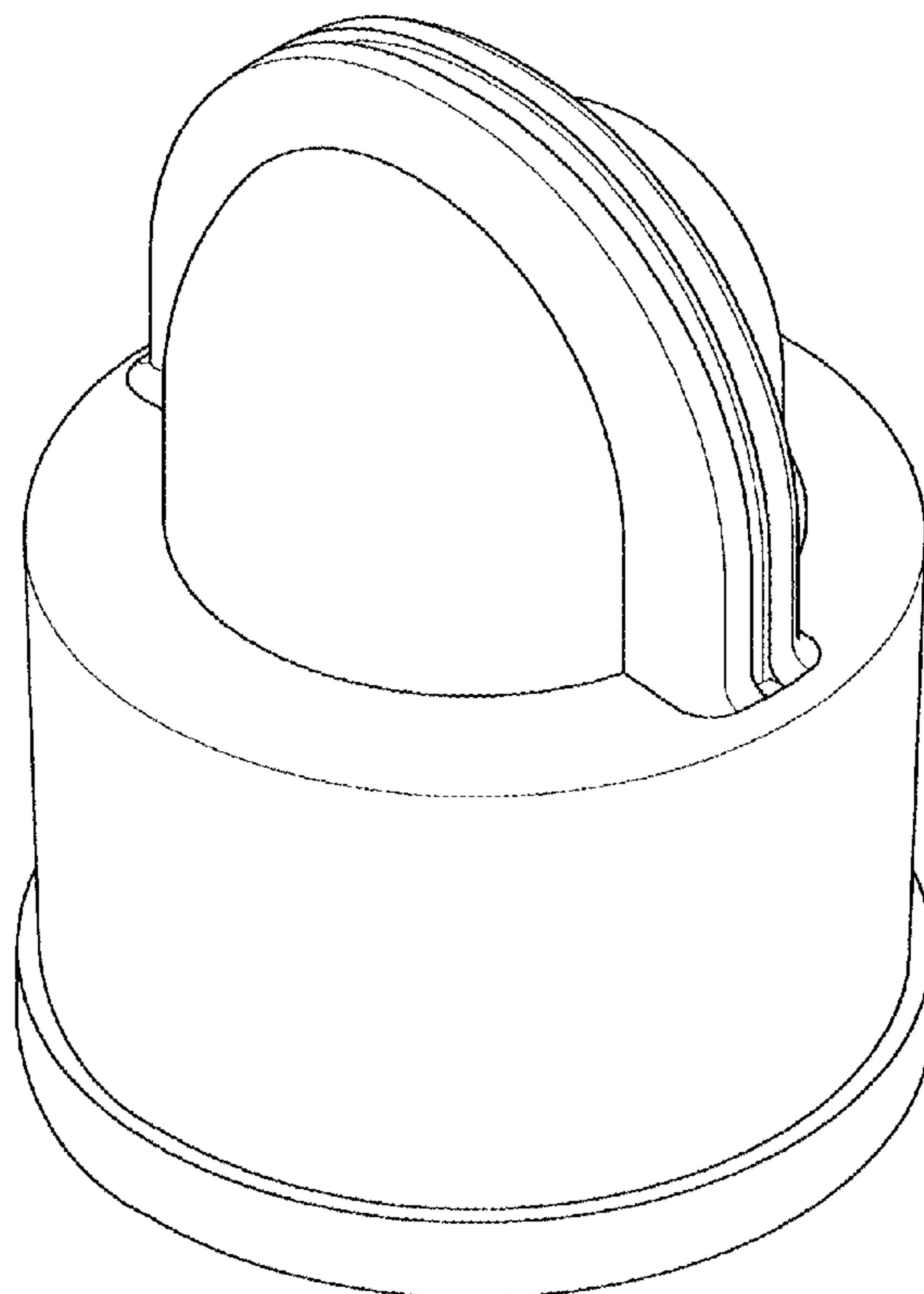
U.S. PATENT DOCUMENTS

2,744,784 A \* 5/1956 Johnson ..... E03B 9/20  
239/25  
3,463,395 A \* 8/1969 Binoche ..... B05B 5/03  
239/291  
3,695,450 A \* 10/1972 Lieberman ..... E03C 1/086  
210/449  
4,618,101 A \* 10/1986 Piggott ..... B05B 1/042  
239/589

**DESCRIPTION**

FIG. 1 is a top side perspective view of a nozzle;  
FIG. 2 is a left side view thereof;  
FIG. 3 is a right side view thereof;  
FIG. 4 is a front view thereof;  
FIG. 5 is a rear view thereof; and,  
FIG. 6 is a top view thereof.

**1 Claim, 6 Drawing Sheets**



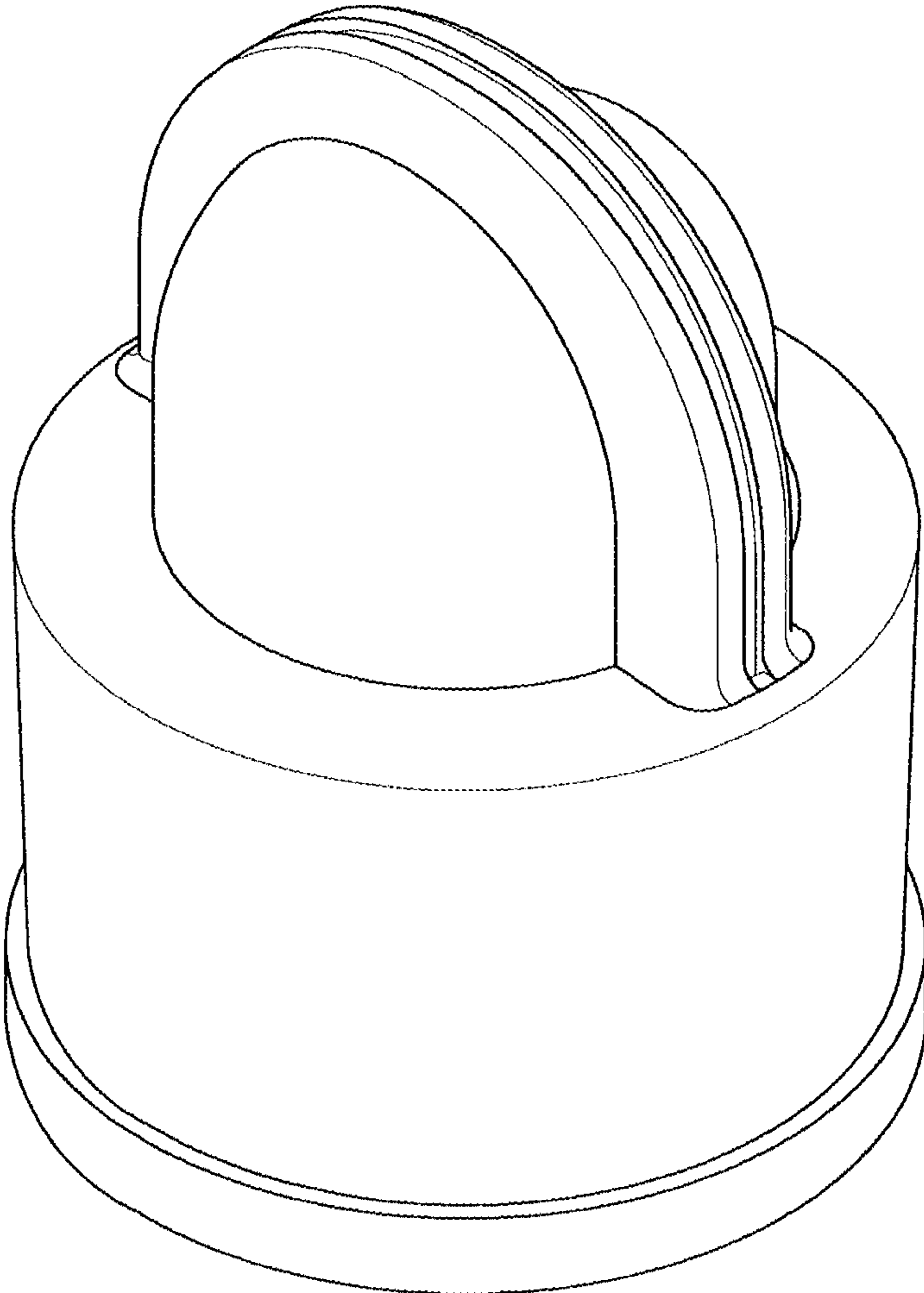


FIG. 1

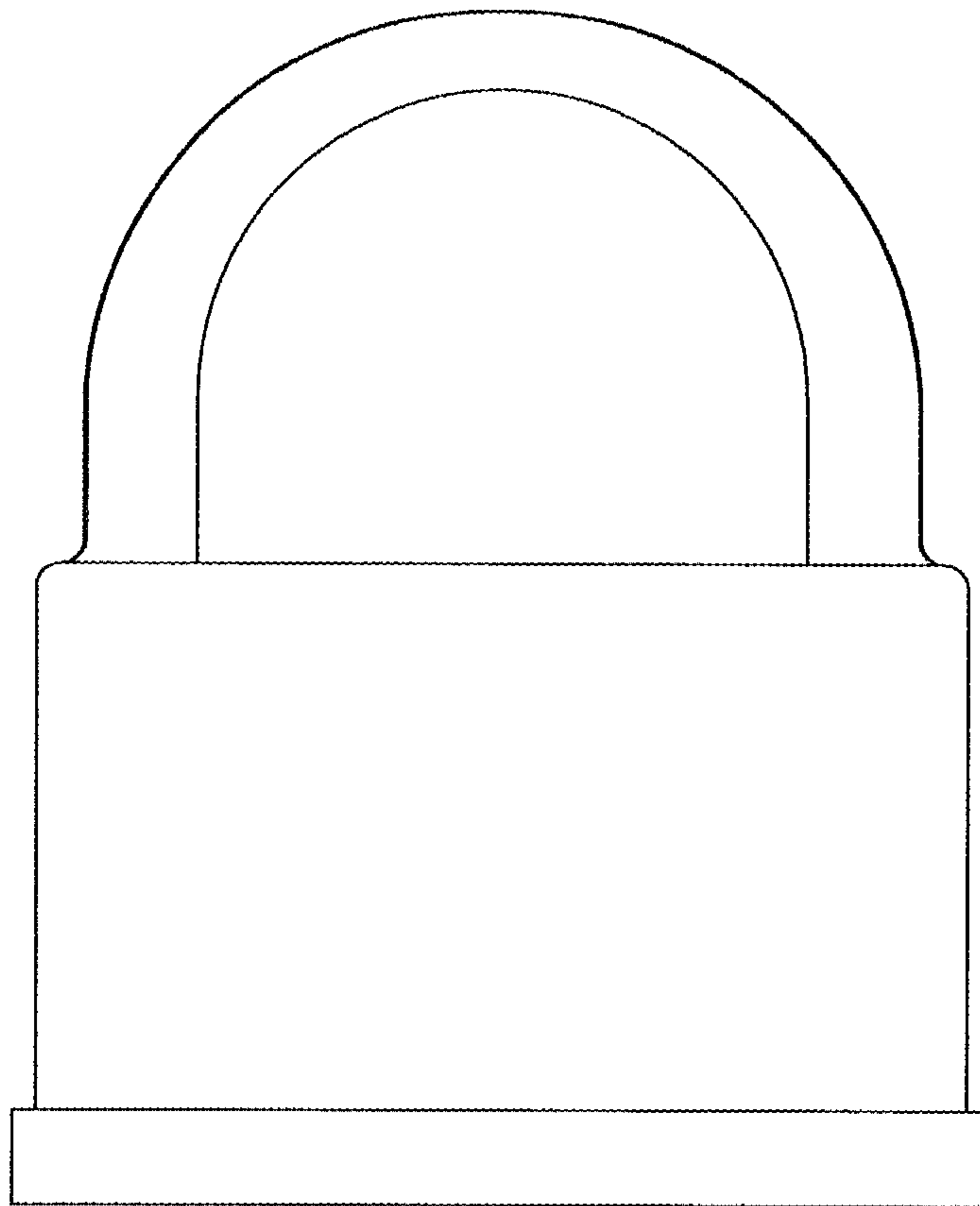


FIG. 2

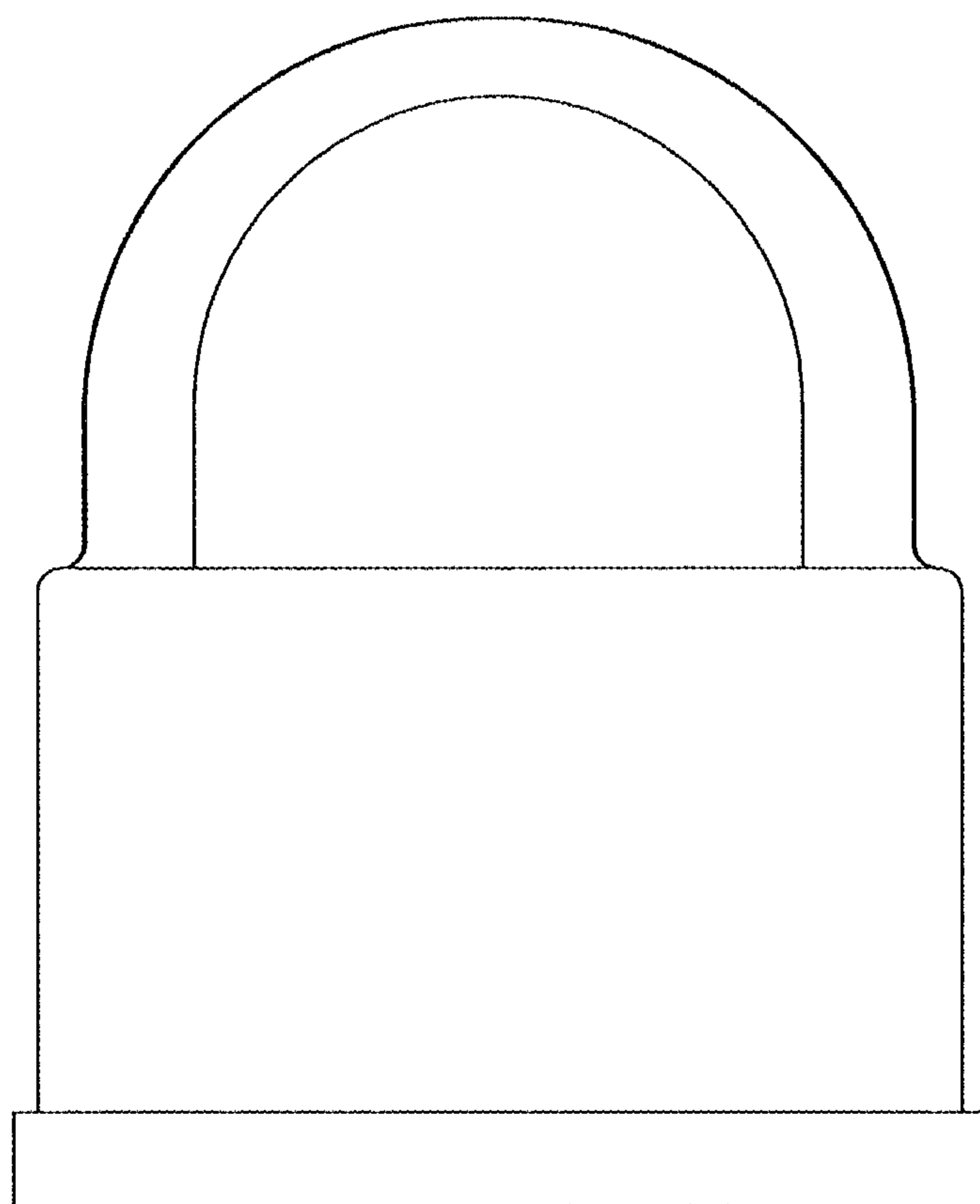


FIG. 3

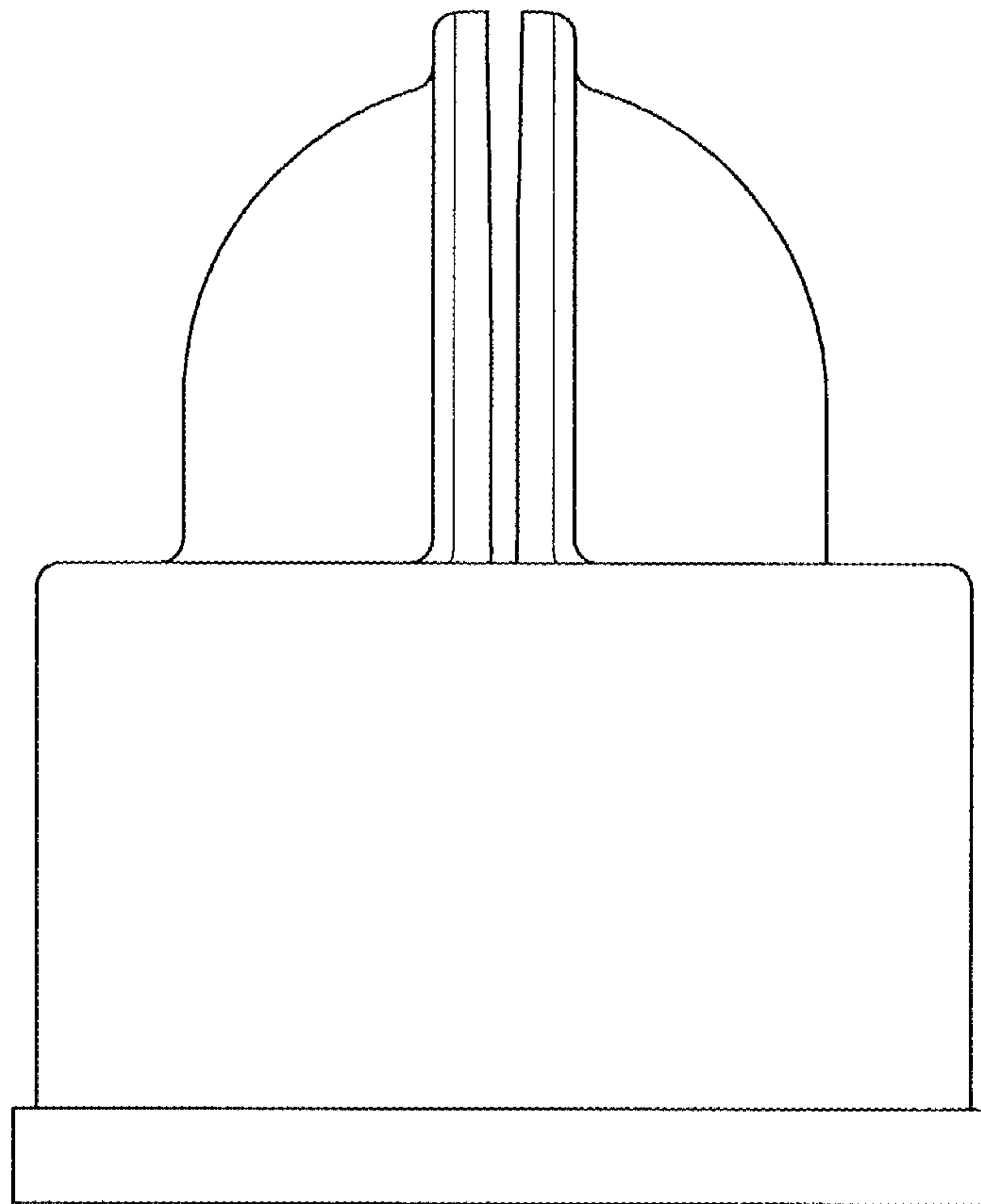


FIG. 4

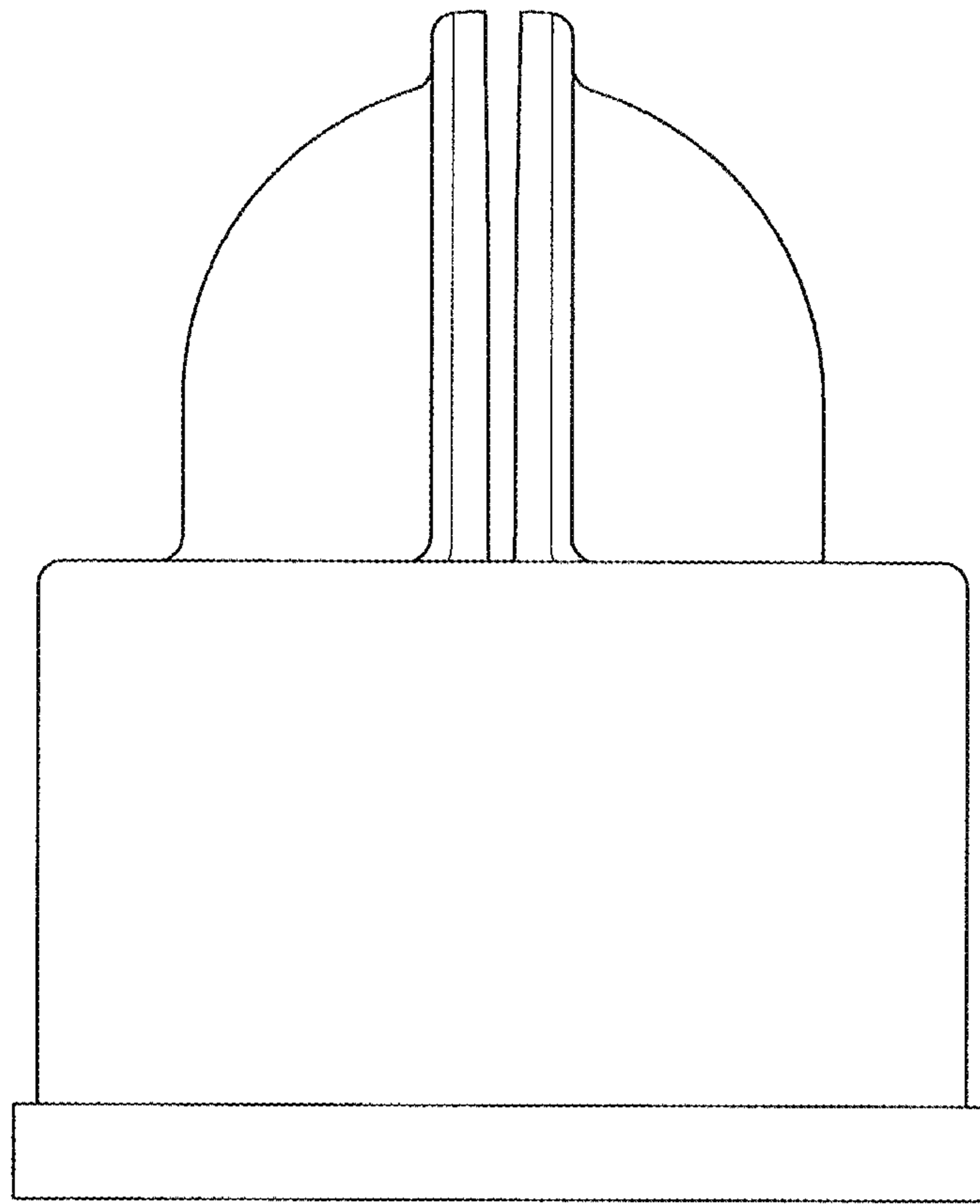


FIG. 5

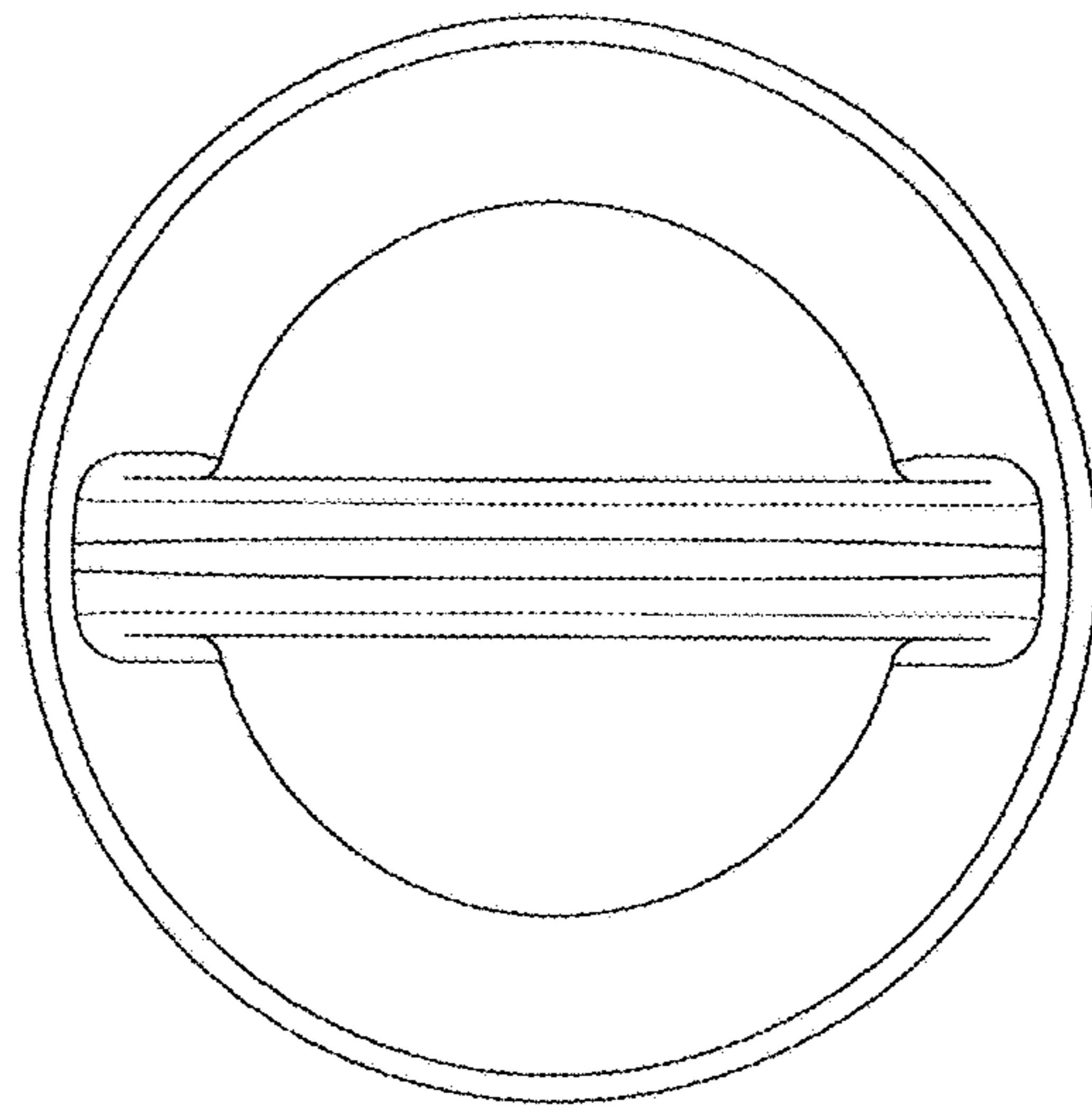


FIG. 6