



US00D811520S

(12) **United States Design Patent**
Andrew

(10) **Patent No.:** **US D811,520 S**
(45) **Date of Patent:** **** Feb. 27, 2018**

- (54) **SHOWERHEAD**
- (71) Applicant: **DELTA FAUCET COMPANY**,
Indianapolis, IN (US)
- (72) Inventor: **Mercedita Andrew**, Indianapolis, IN
(US)
- (73) Assignee: **DELTA FAUCET COMPANY**,
Indianapolis, IN (US)
- (**) Term: **15 Years**
- (21) Appl. No.: **29/576,641**
- (22) Filed: **Sep. 6, 2016**
- (51) **LOC (11) Cl.** **23-01**
- (52) **U.S. Cl.**
USPC **D23/213**
- (58) **Field of Classification Search**
USPC D23/213, 223, 226, 228, 229, 230, 304,
D23/532; 239/436, 447, 587.1
CPC B05B 15/066; B05B 1/18; B05B 1/00;
B05B 15/061; B05B 9/01; A47K 3/28;
E03C 1/06; E03C 1/046
See application file for complete search history.

D645,540 S * 9/2011 Fritz D23/213
D791,277 S * 7/2017 Eads D23/213

* cited by examiner

Primary Examiner — Robin V Webster

(74) *Attorney, Agent, or Firm* — Edgar A. Zarins; Nirav
D. Parikh

(57) **CLAIM**

The ornamental design for a showerhead, as shown and
described.

DESCRIPTION

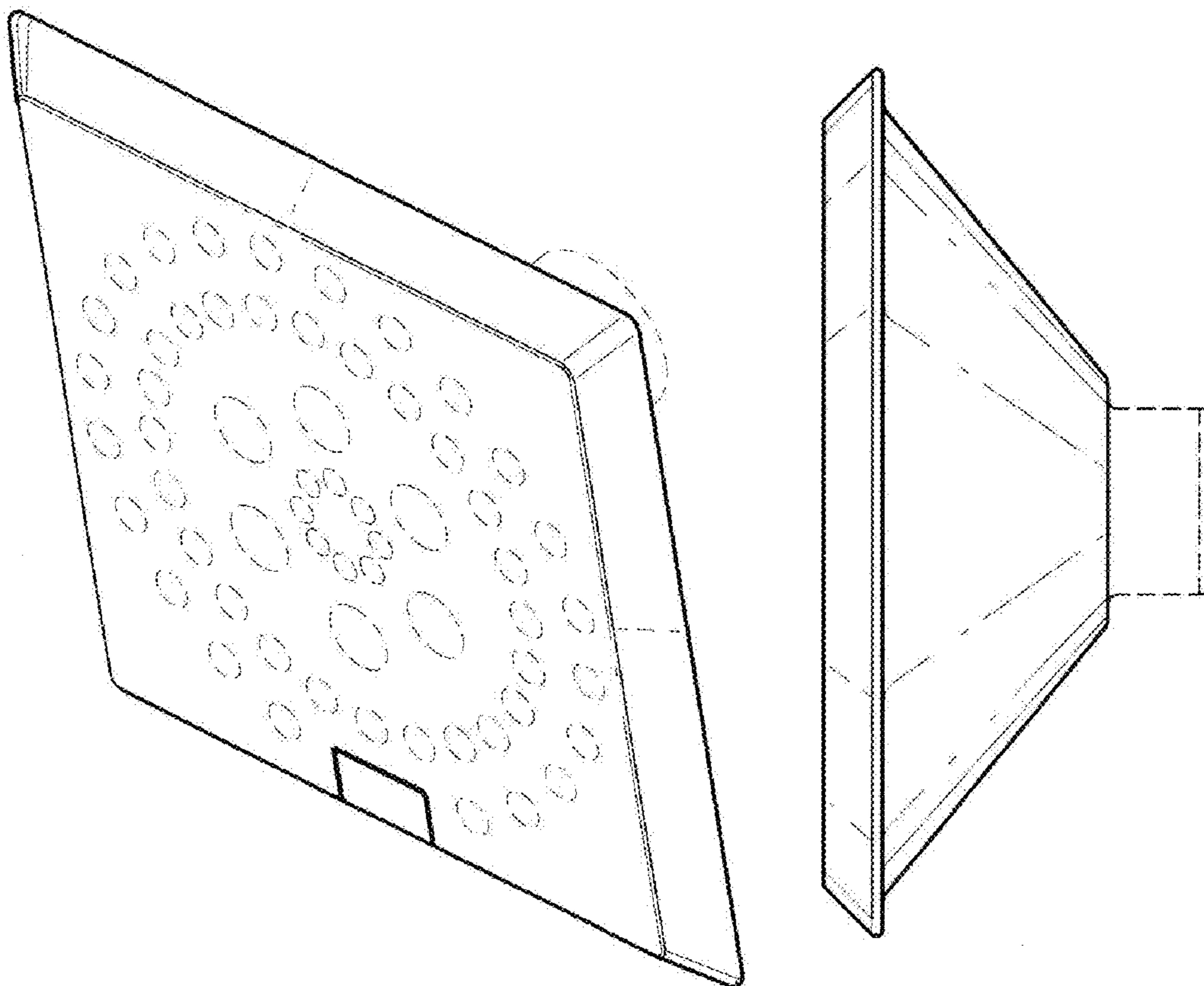
FIG. 1 is a perspective view of a showerhead showing my
new design;
FIG. 2 is a front elevational view thereof;
FIG. 3 is a left side view thereof, the opposite side being a
mirror image of the side shown;
FIG. 4 is a top plan view thereof;
FIG. 5 is a rear view thereof; and,
FIG. 6 is a bottom view thereof.
The broken line showing of portions of the showerhead is
included for the purpose of illustrating and forms no part of
the claimed design.

(56) **References Cited**

U.S. PATENT DOCUMENTS

D552,210 S * 10/2007 Zhu D23/213
D630,706 S * 1/2011 Giggs D23/213

1 Claim, 2 Drawing Sheets



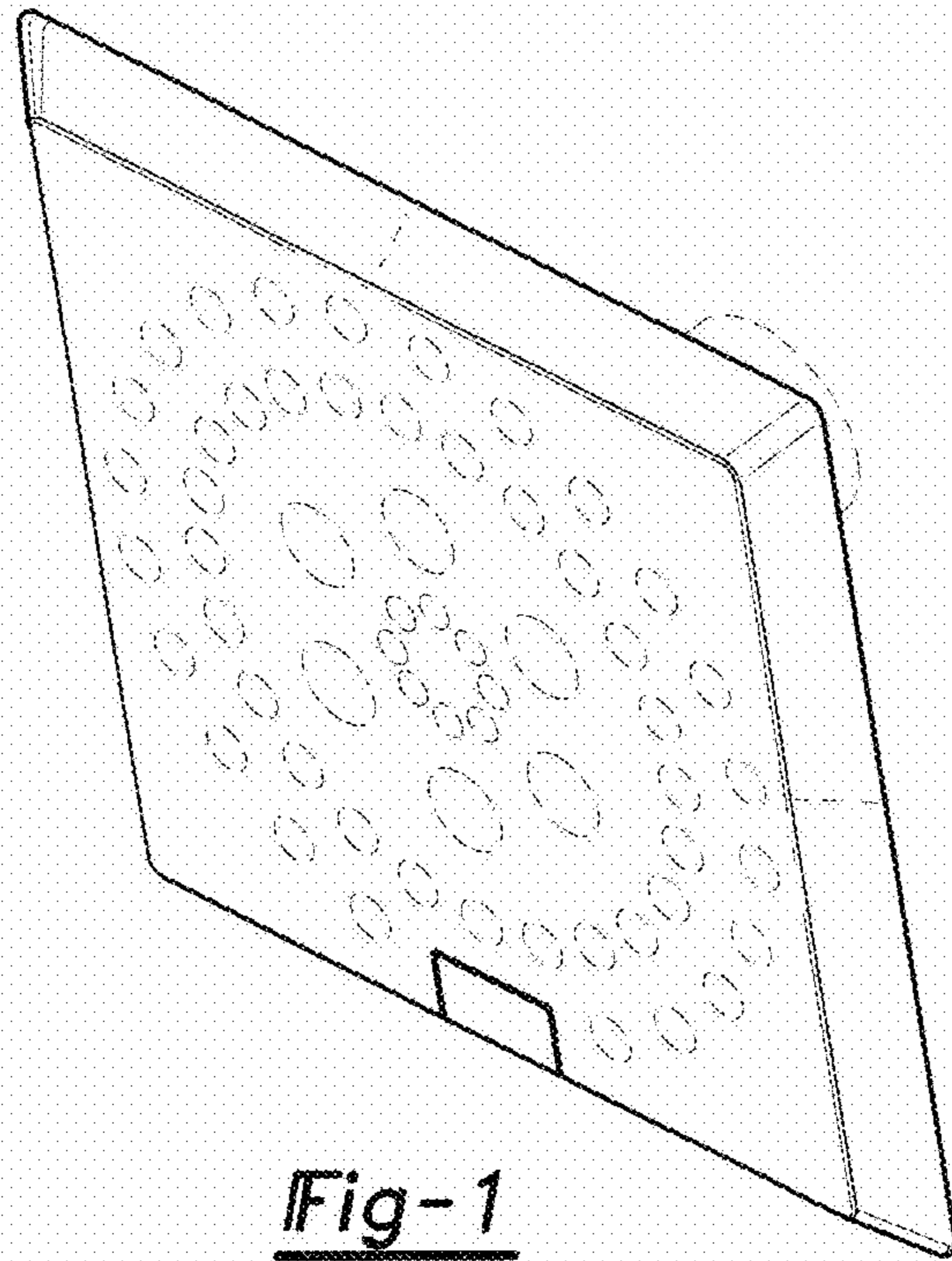


Fig-1

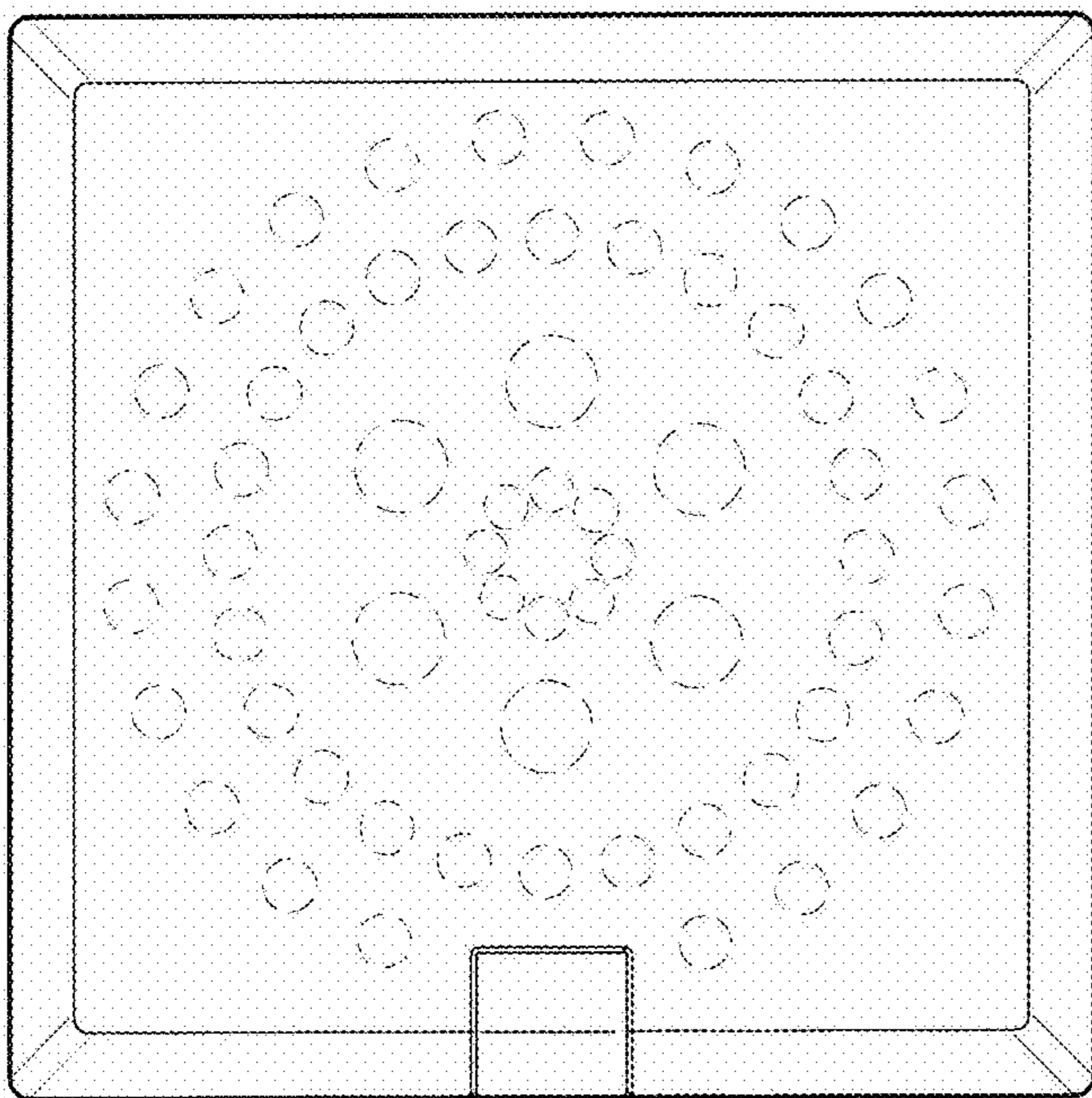


Fig-2

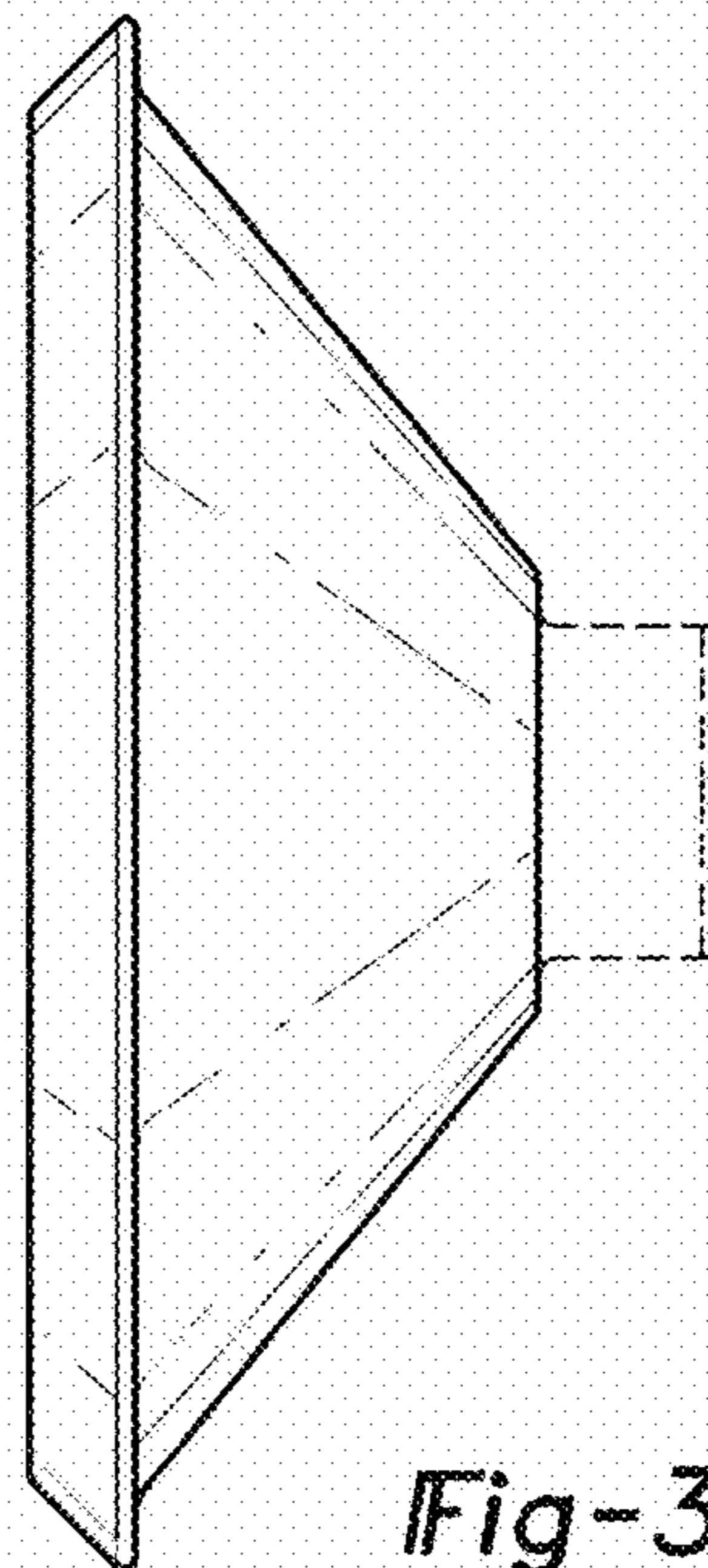


Fig-3

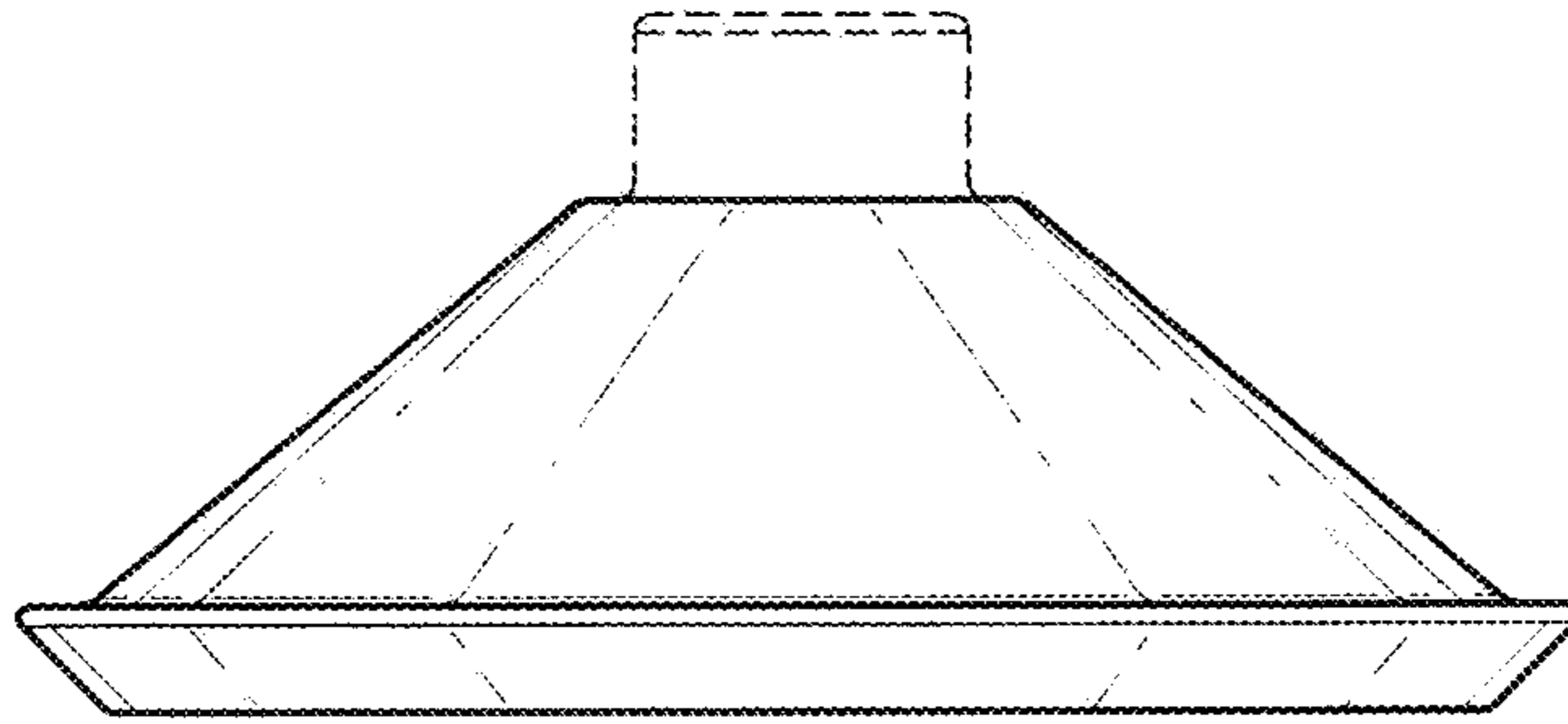


Fig-4

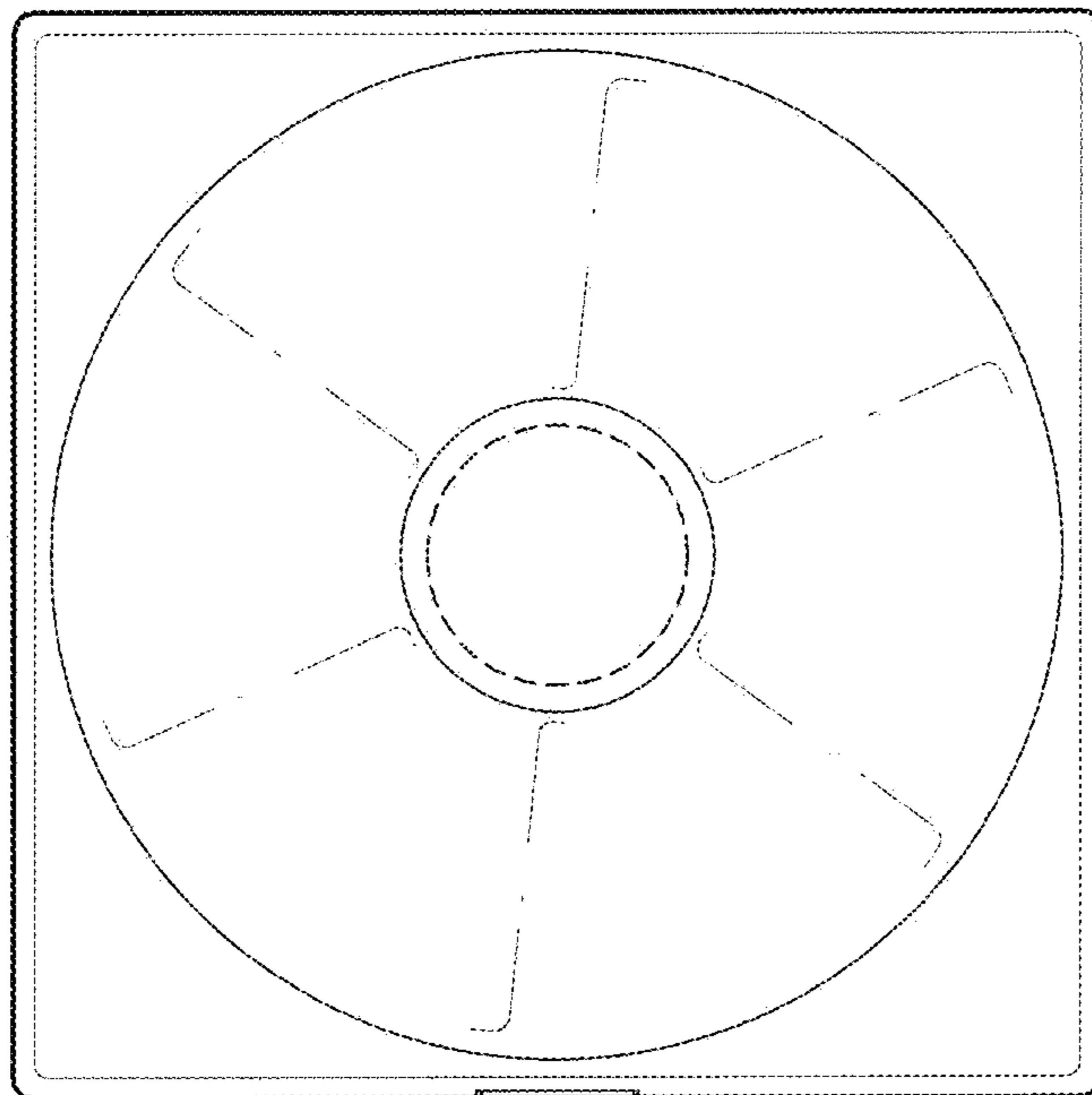


Fig-5

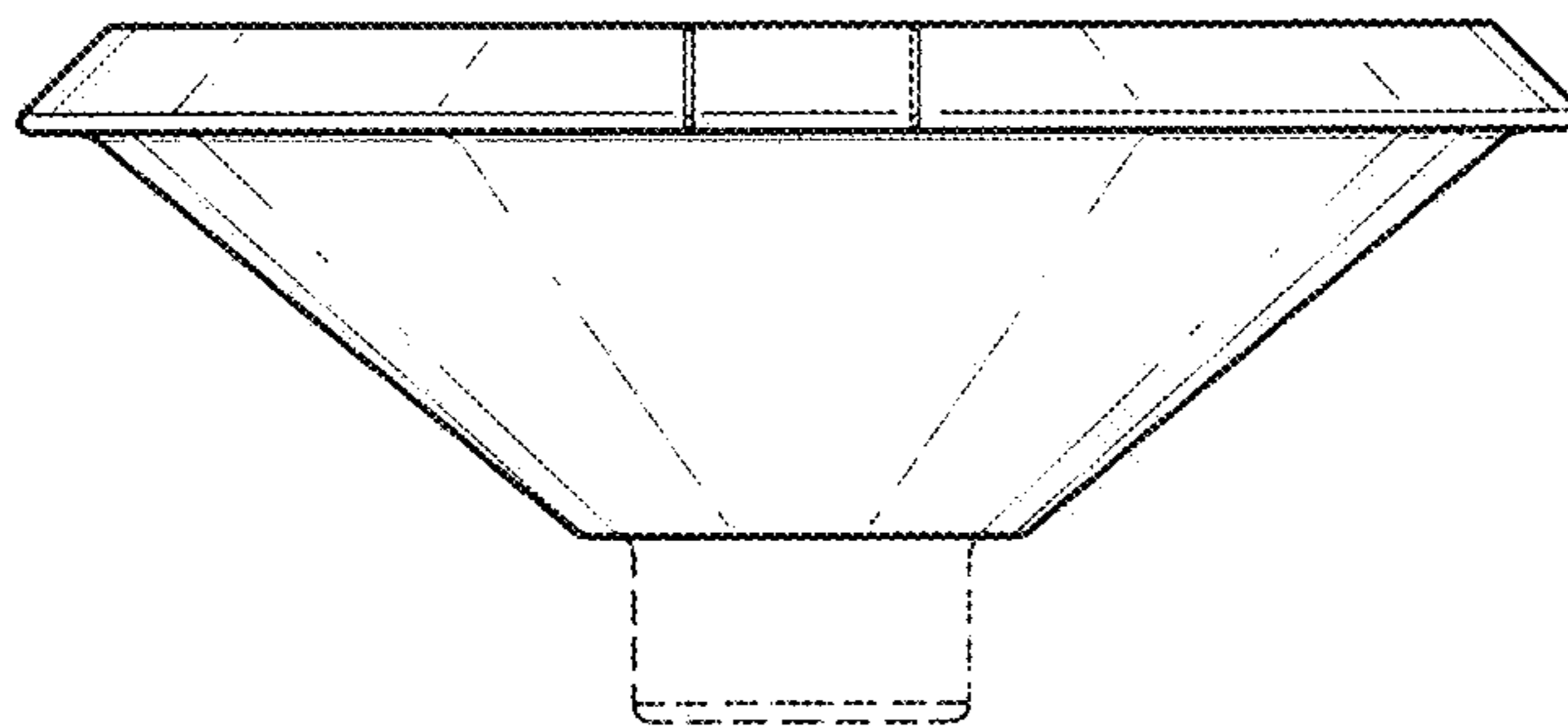


Fig-6