



US00D811519S

(12) **United States Design Patent**  
**Natale et al.**

(10) **Patent No.:** **US D811,519 S**

(45) **Date of Patent:** **\*\* Feb. 27, 2018**

(54) **RETENTATE PLATE**

FOREIGN PATENT DOCUMENTS

(71) Applicant: **EMD Millipore Corporation**,  
Burlington, MA (US)

WO WO 2007/076496 7/2007

(72) Inventors: **Matthew Natale**, Tewksbury, MA (US);  
**Brian Hillier**, Lowell, MA (US)

OTHER PUBLICATIONS

van Reis, R. et al., "Linear Scale Ultrafiltration," *Biotechnology and Bioengineering*, 55(5): 737-746 (Sep. 1997).

(73) Assignee: **EMD Millipore Corporation**,  
Burlington, MA (US)

(Continued)

(\*\*) Term: **15 Years**

*Primary Examiner* — Robin V Webster

(21) Appl. No.: **29/569,589**

(74) *Attorney, Agent, or Firm* — Hamilton, Brook, Smith & Reynolds, P.C.

(22) Filed: **Jun. 29, 2016**

(57) **CLAIM**

**Related U.S. Application Data**

The ornamental design for a retentate plate, as shown and described.

(62) Division of application No. 29/512,353, filed on Dec. 18, 2014, now Pat. No. Des. 761,381.

(51) **LOC (11) Cl.** ..... **23-01**

**DESCRIPTION**

(52) **U.S. Cl.**  
USPC ..... **D23/209**

(58) **Field of Classification Search**  
USPC .... D23/207, 209; 210/321.75, 321.84, 323.1  
CPC ..... B01D 63/082  
See application file for complete search history.

FIG. 1 is a front view of the retentate plate in a first aspect of the present invention.

FIG. 2 is a rear view thereof.

FIG. 3 is a top view thereof. The bottom view on the opposite side thereof is a mirror image of the top view.

FIG. 4 is a right side view thereof.

FIG. 5 is a left side view thereof.

FIG. 6 is a front upper side perspective view thereof; and, FIG. 7 is a rear lower side perspective view thereof.

The retentate plate of the present invention allows retentate to be conveniently collected at the end of a single-pass tangential flow filtration (TFF) process. Optional handles allow for ease of set-up of the assembly but can be removed to allow for use in a multilevel assembly where the handles would interfere with the next level. Fluid exiting the assembly is sufficiently concentrated after a single pass through the series of cassettes that retentate recycle is not necessary.

The broken lines in the Figures are for illustrative purposes only, and form no part of the claimed design.

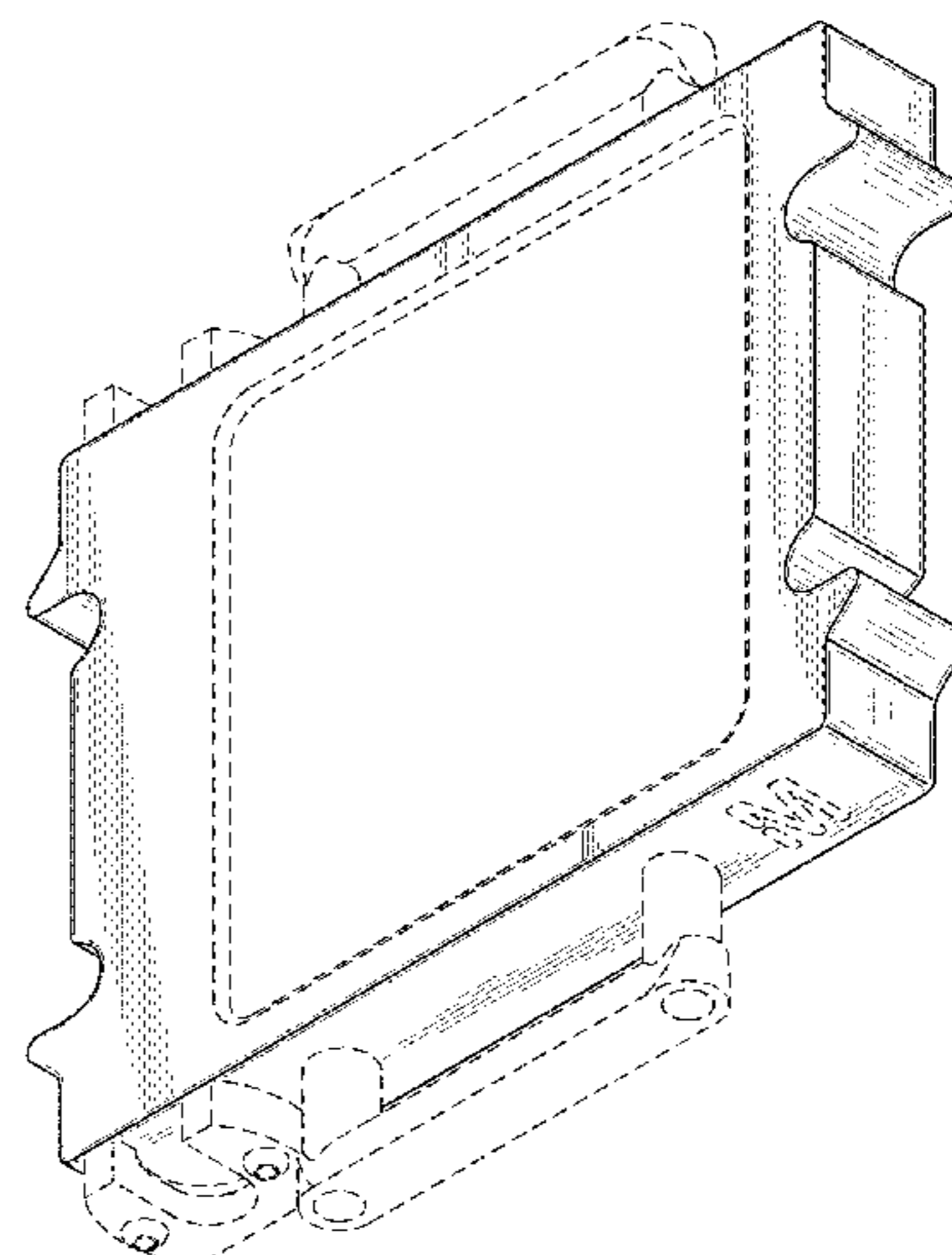
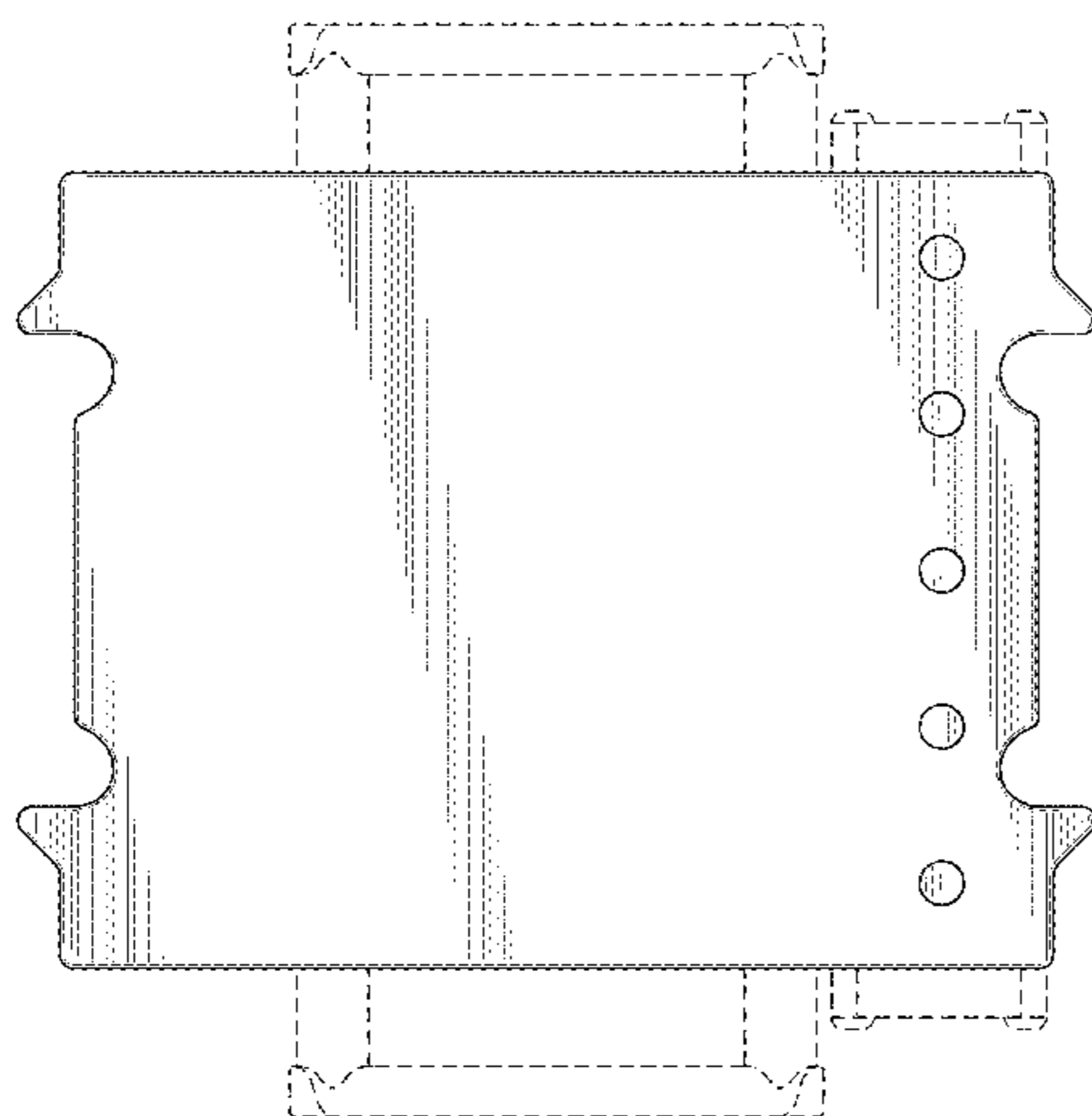
(56) **References Cited**

**U.S. PATENT DOCUMENTS**

3,540,595	A	11/1970	Edwards
4,956,085	A	9/1990	Kopf
D325,070	S	3/1992	Kopf
D327,313	S	6/1992	Kopf
5,147,542	A	9/1992	Proulx
D357,059	S	4/1995	Kopf
5,599,447	A	2/1997	Pearl et al.
7,959,805	B2	6/2011	Chisolm et al.
D651,280	S	12/2011	Okawa et al.
D655,780	S	3/2012	Honda et al.
8,506,802	B1	8/2013	de los Reyes
D729,897	S	5/2015	Ledbetter et al.

(Continued)

**1 Claim, 5 Drawing Sheets**



(56)

**References Cited**

U.S. PATENT DOCUMENTS

9,133,433	B2	9/2015	Vogel et al.
D741,983	S	10/2015	Mueller et al.
D761,381	S	7/2016	Natale et al.
D762,811	S	8/2016	Natale et al.
2008/0135500	A1	6/2008	Gagnon et al.
2012/0168368	A1	7/2012	de los Reyes

OTHER PUBLICATIONS

Notice of Allowance for U.S. Appl. No. 29/512,353, "Retentate Plate", dated Mar. 1, 2016.

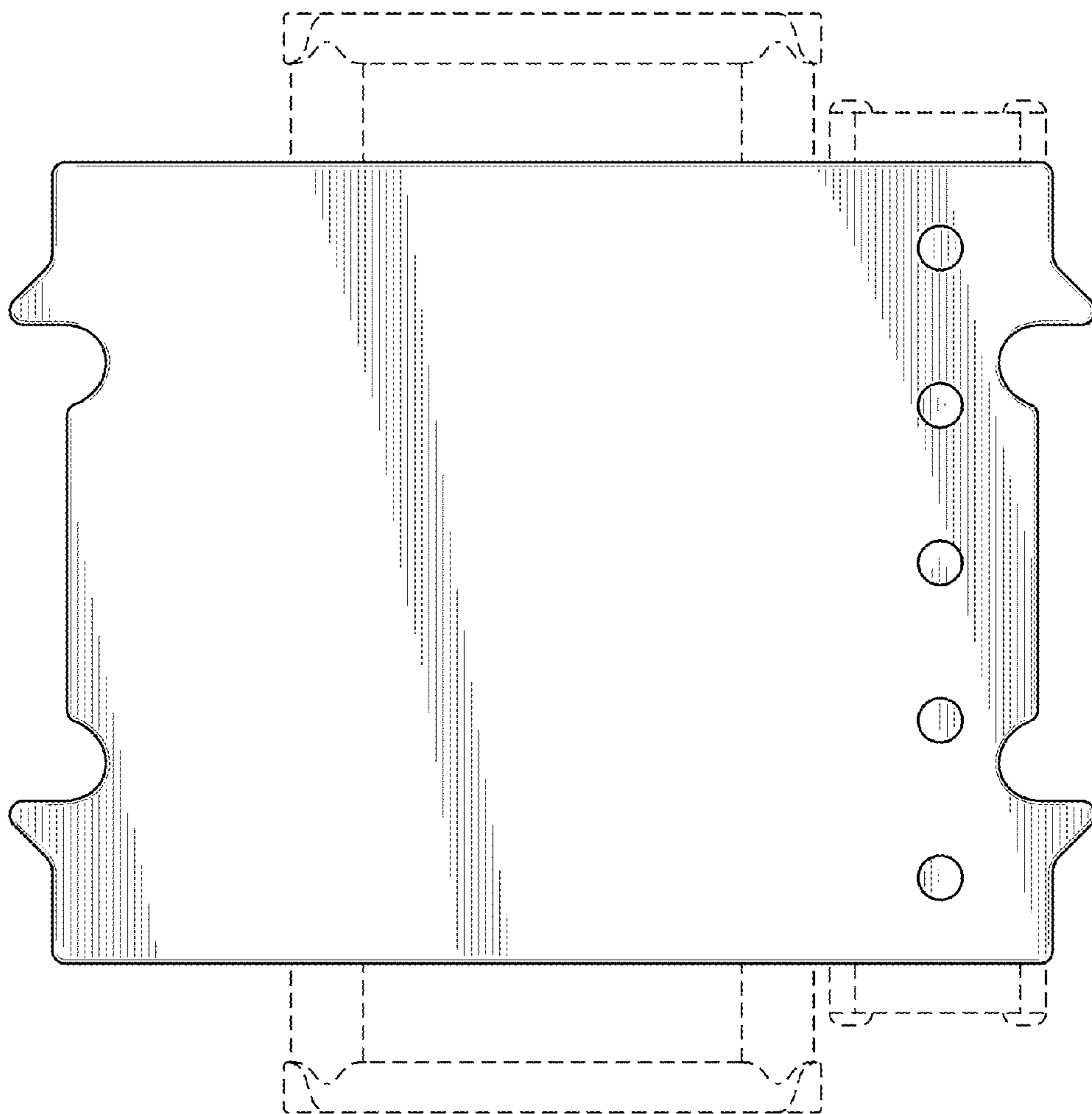


FIG. 1

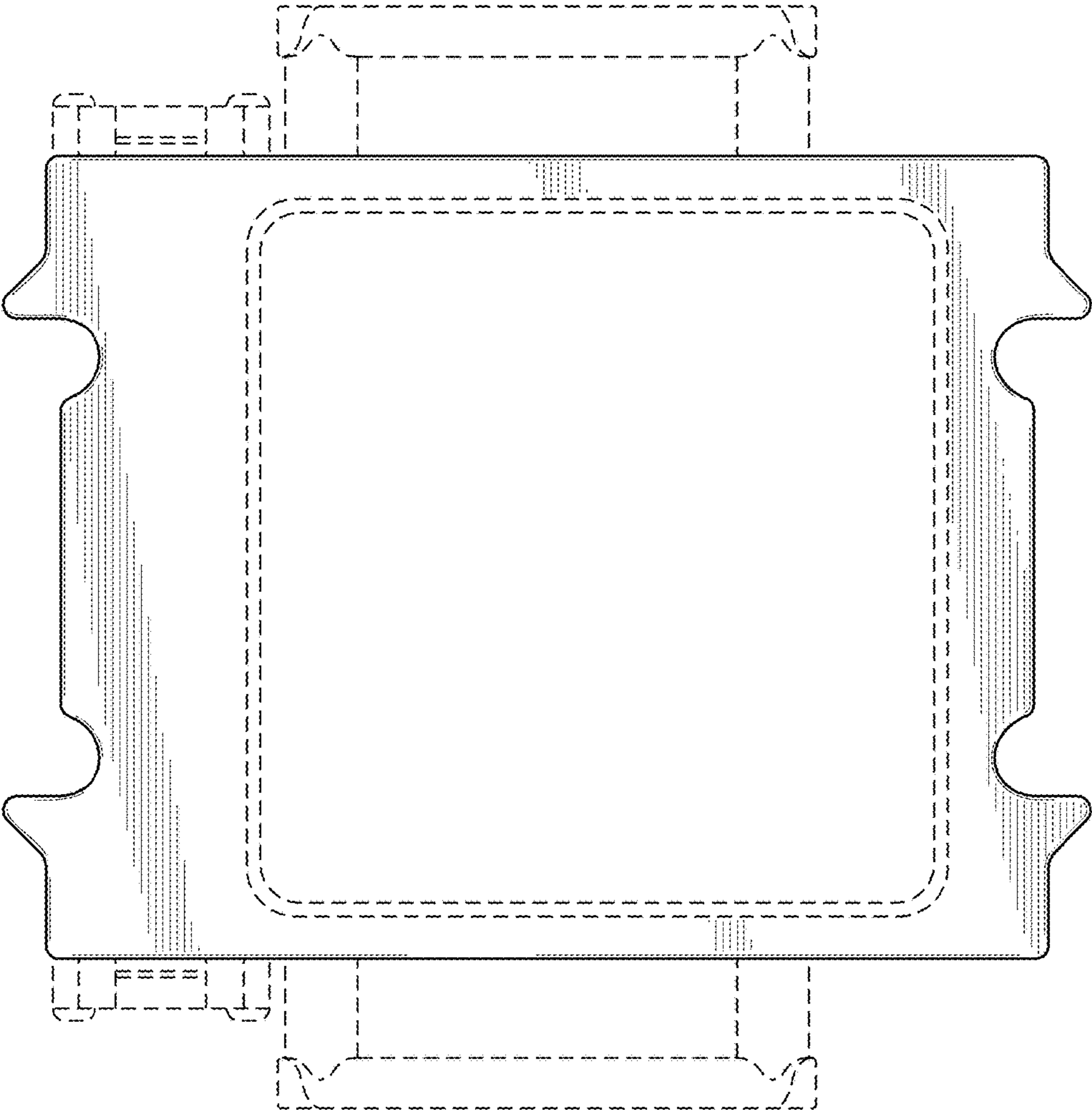


FIG. 2

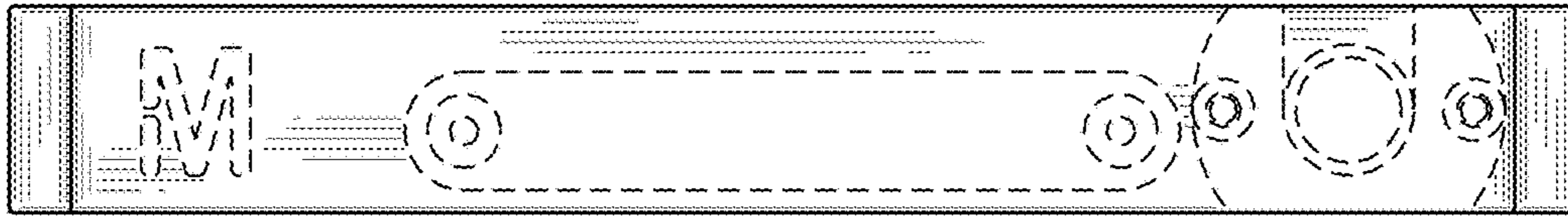


FIG. 3

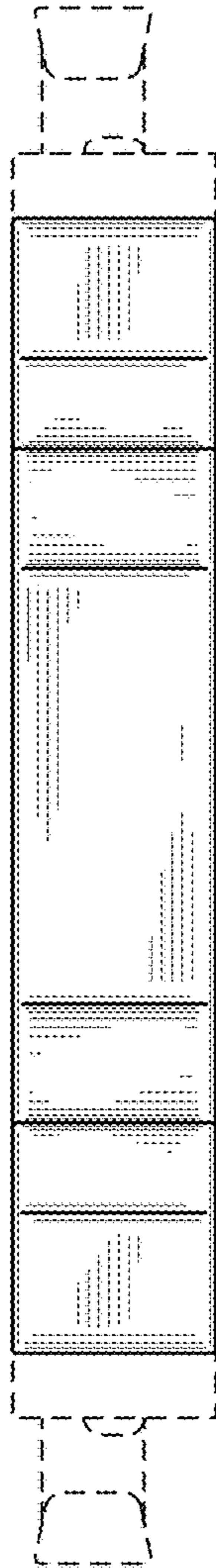


FIG. 4

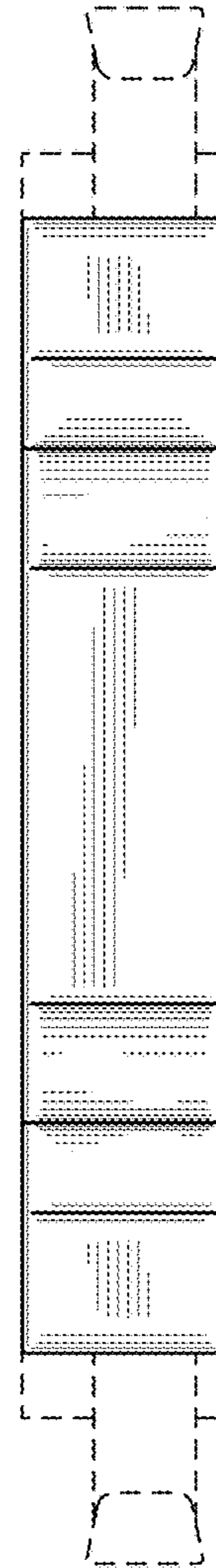


FIG. 5



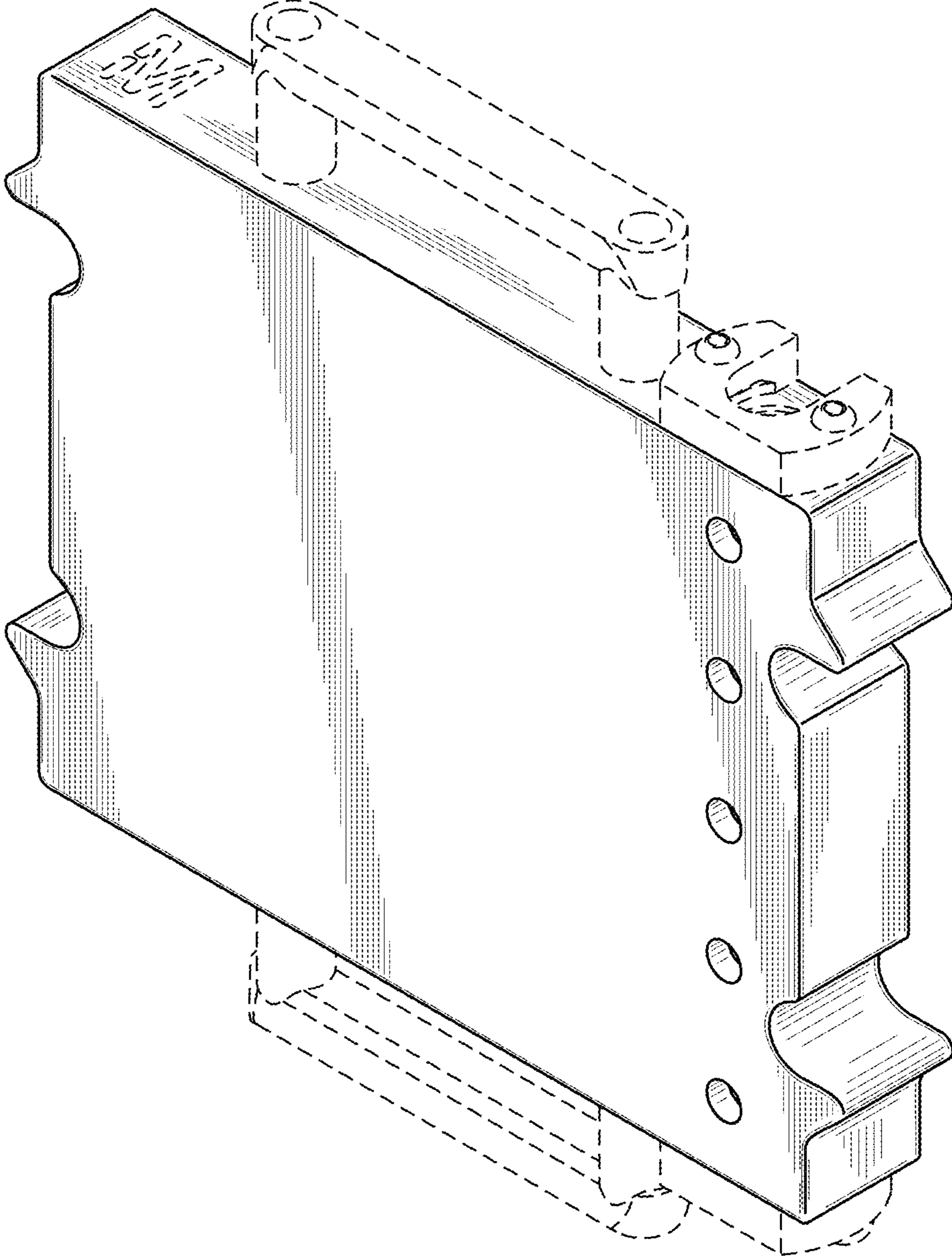


FIG. 6

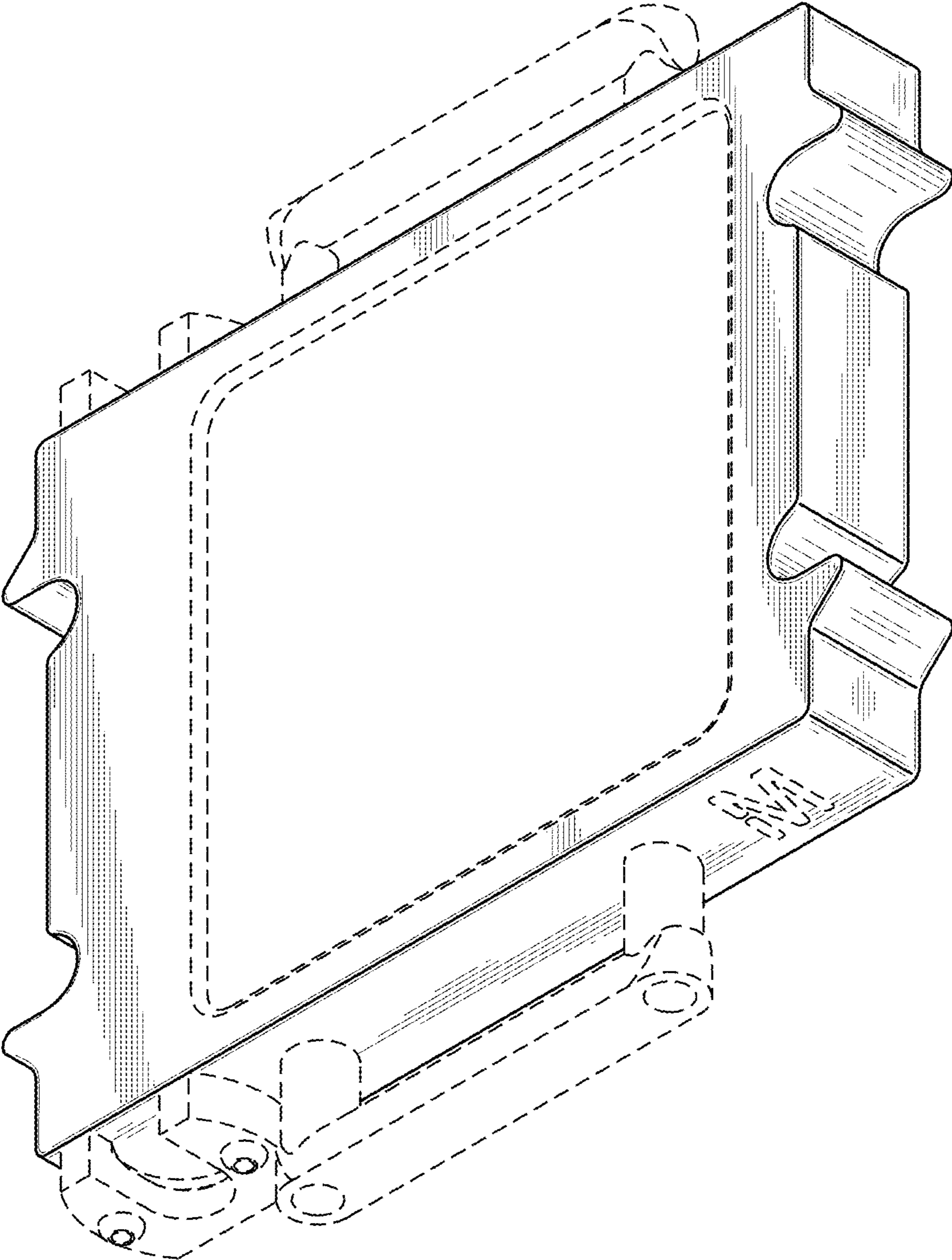


FIG. 7