



US00D811517S

(12) **United States Design Patent** (10) **Patent No.:** **US D811,517 S**
Chapin et al. (45) **Date of Patent:** **** Feb. 27, 2018**

(54) **ANT BAIT STATION**
(71) Applicant: **Sterling International Inc.**, Spokane, WA (US)
(72) Inventors: **Marc Chapin**, Spokane, WA (US); **Qing-He Zhang**, Greenacres, WA (US); **Rodney G. Schneidmiller**, Greenacres, WA (US)

D686,689 S 7/2013 Bernard
D694,849 S 12/2013 Ots
D701,285 S 3/2014 Chapin et al.
D712,503 S 9/2014 Aiston
D715,891 S 10/2014 Zhang et al.
D715,892 S 10/2014 Zhang et al.
D716,907 S 11/2014 Zhang et al.
D722,128 S * 2/2015 Wang D22/122
D725,224 S 3/2015 Zhang et al.
D729,340 S 5/2015 Zhang et al.
(Continued)

(73) Assignee: **Sterling International Inc.**, Spokane, WA (US)

(**) Term: **15 Years**

(21) Appl. No.: **29/594,669**

(22) Filed: **Feb. 21, 2017**

(51) **LOC (11) Cl.** **22-06**

(52) **U.S. Cl.**
USPC **D22/122**

(58) **Field of Classification Search**
USPC D22/119-124; 43/58, 60-61, 107, 43/112-113, 121, 124, 131, 132.1
CPC A01M 1/14; A01M 1/103
See application file for complete search history.

(56) **References Cited**

U.S. PATENT DOCUMENTS

D374,703 S 10/1996 Dickson et al.
D425,961 S 5/2000 Kemmis
6,216,384 B1 4/2001 Dickson et al.
6,651,378 B2 11/2003 Baker
6,789,352 B2 9/2004 Price et al.
D508,548 S * 8/2005 Soner D22/122
D515,175 S 2/2006 Mayo et al.
D531,257 S * 10/2006 Duston D22/122
7,165,353 B2 1/2007 Matts et al.
D544,064 S * 6/2007 Kerl D22/122
7,310,908 B2 12/2007 Bernard et al.
D577,413 S 9/2008 Long
D639,895 S 6/2011 Schneidmiller et al.

OTHER PUBLICATIONS

Chapin, M. et al., "Ant Bait Station With Four Entries," U.S. Appl. No. 29/594,670, filed Feb. 21, 2017.
(Continued)

Primary Examiner — Catherine R Oliver-Garcia
(74) *Attorney, Agent, or Firm* — Christensen O'Connor Johnson Kindness PLLC

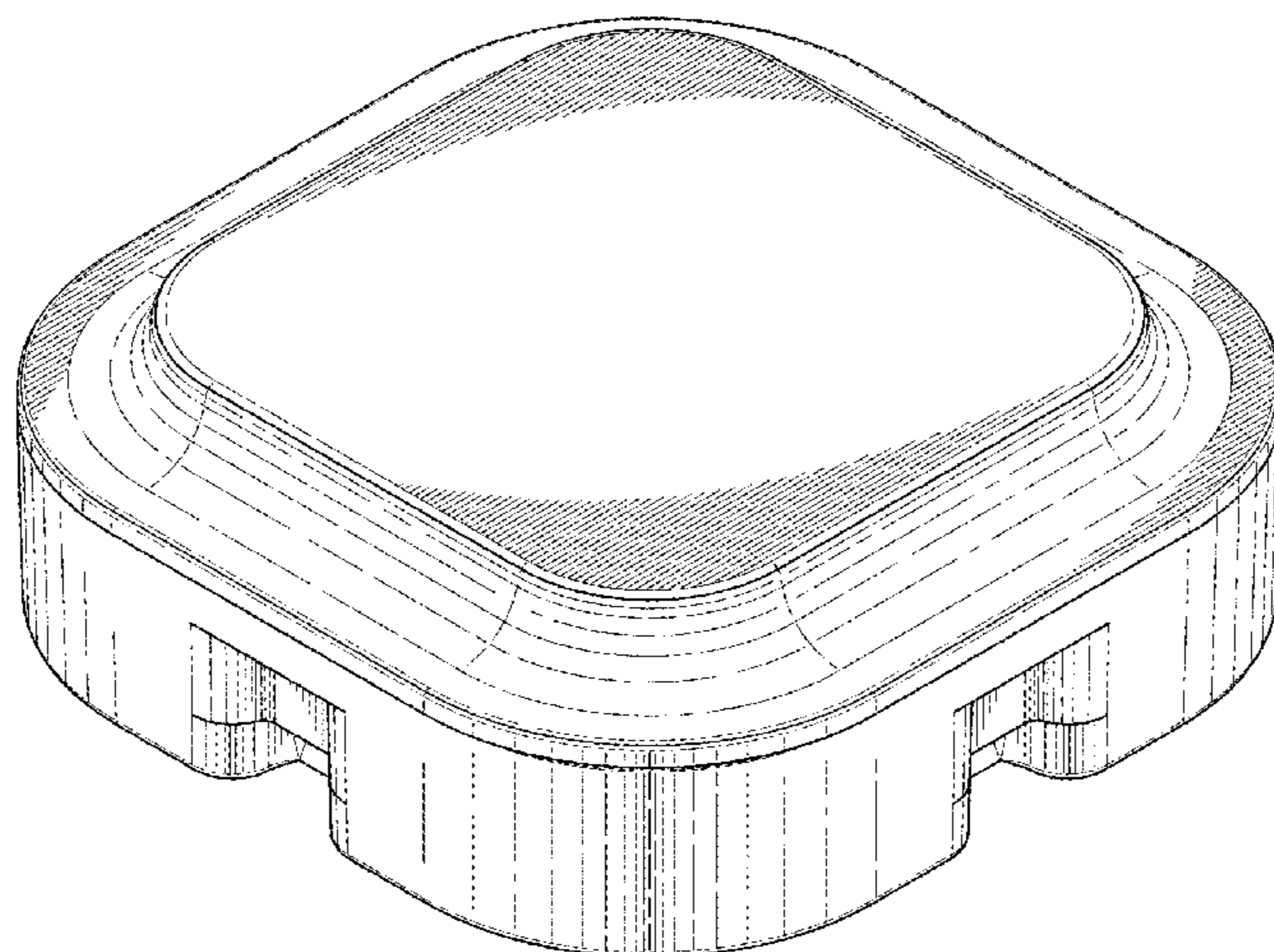
(57) **CLAIM**

The ornamental design for an ant bait station, as shown.

DESCRIPTION

FIG. 1 is an upper, front-left perspective view of an ant bait station in accordance with the present design;
FIG. 2 is a lower, front-left perspective view of the ant bait station shown in FIG. 1;
FIG. 3 is a top plan view of the ant bait station shown in FIG. 1;
FIG. 4 is a bottom plan view of the ant bait station shown in FIG. 1;
FIG. 5 is a front view of the ant bait station shown in FIG. 1, which is the same as the left side view, right side view, and back view; and,
FIG. 6 is a sectional view of the ant bait station shown in FIG. 1, through section 6-6 indicated in FIG. 3.

1 Claim, 5 Drawing Sheets



(56)

References Cited

U.S. PATENT DOCUMENTS

D734,420 S 7/2015 Zhang et al.
D734,829 S 7/2015 Zhang et al.
9,526,237 B2 12/2016 Zhang et al.
D777,292 S * 1/2017 Schumacher D22/122
D777,293 S * 1/2017 Schumacher D22/122
D783,766 S * 4/2017 Wang D22/122

OTHER PUBLICATIONS

Zhang, Q.-H., and R.G. Schneidmiller, "Ant Bait Stations With Attractant Vector Compartment and Easy Opening," U.S. Appl. No. 15/443,896, filed Feb. 27, 2017.

Zhang, Q.-H., et al., "Dispenser for Semiochemical Attractant," U.S. Appl. No. 29/603,575, filed May 10, 2017.

* cited by examiner

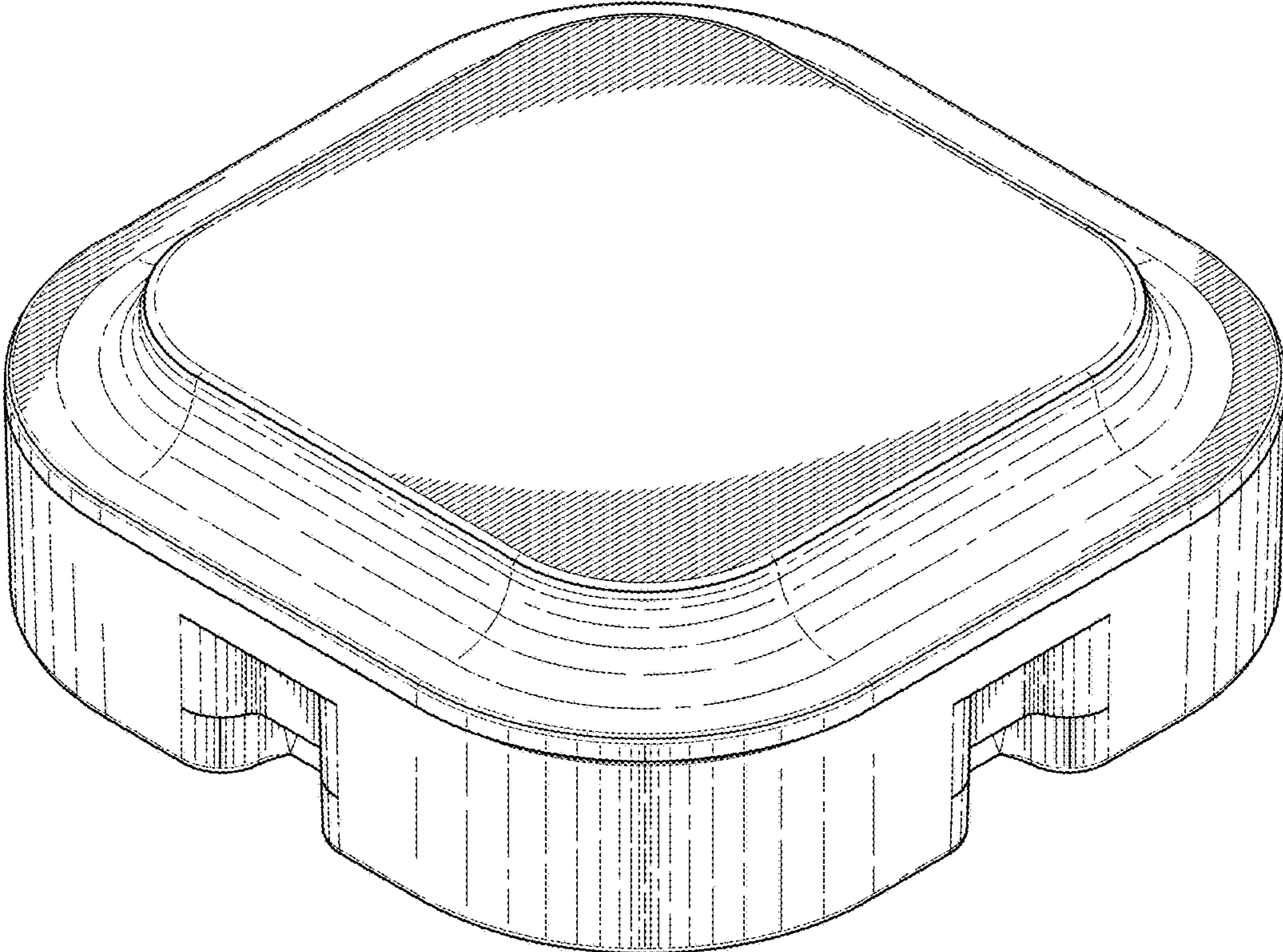


Fig. 1.

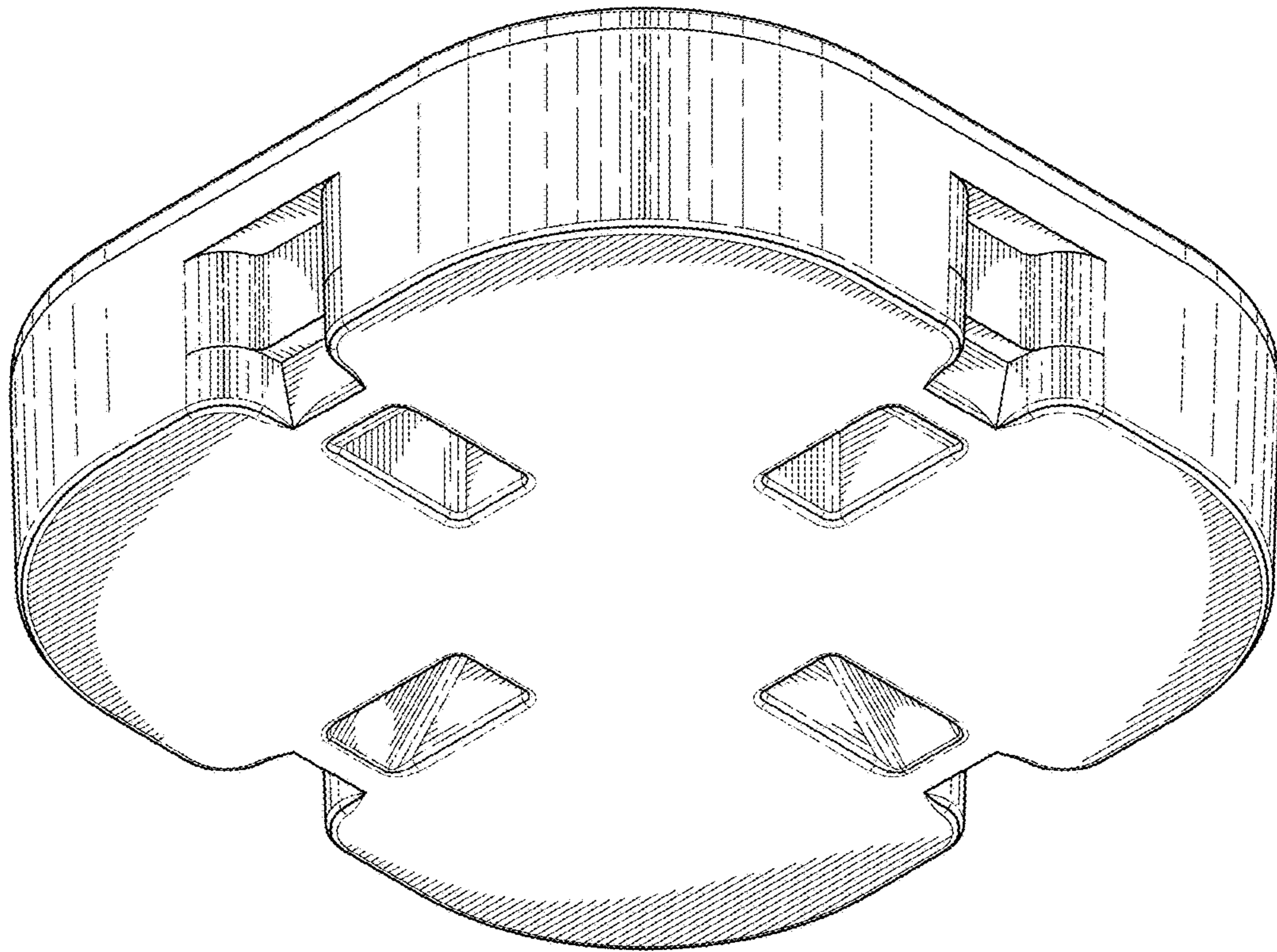


Fig. 2.

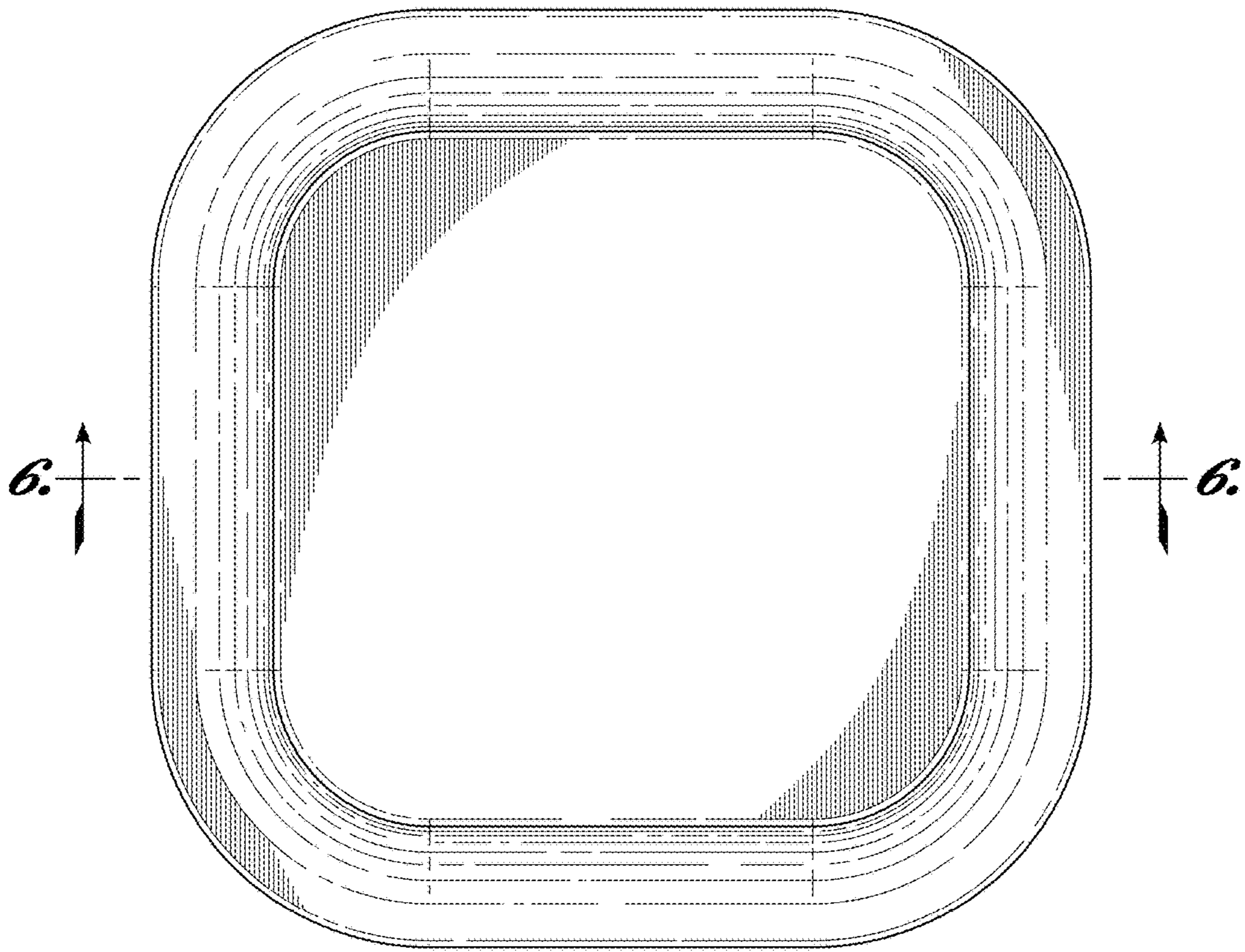


Fig. 3.

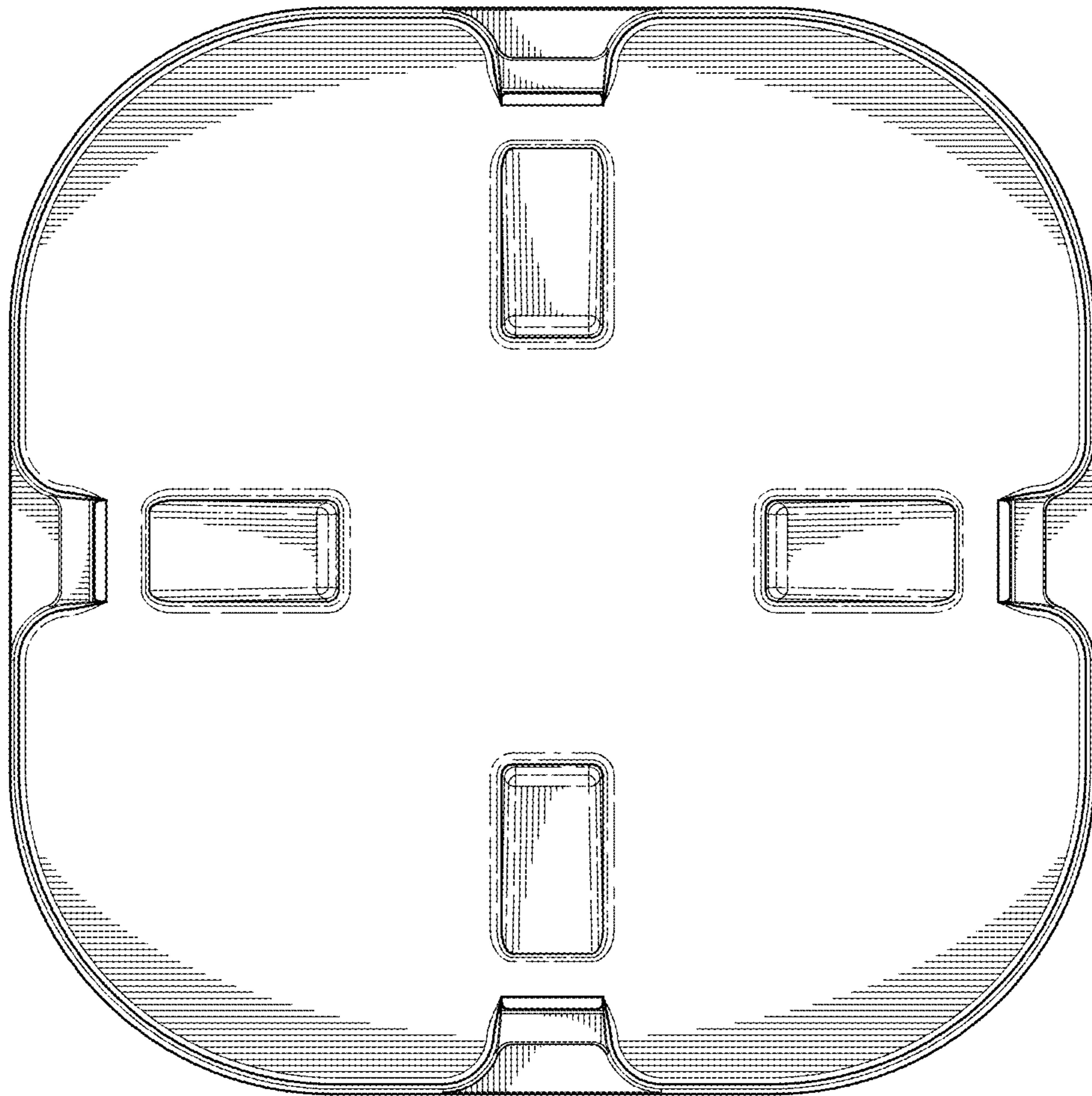


Fig. 4.

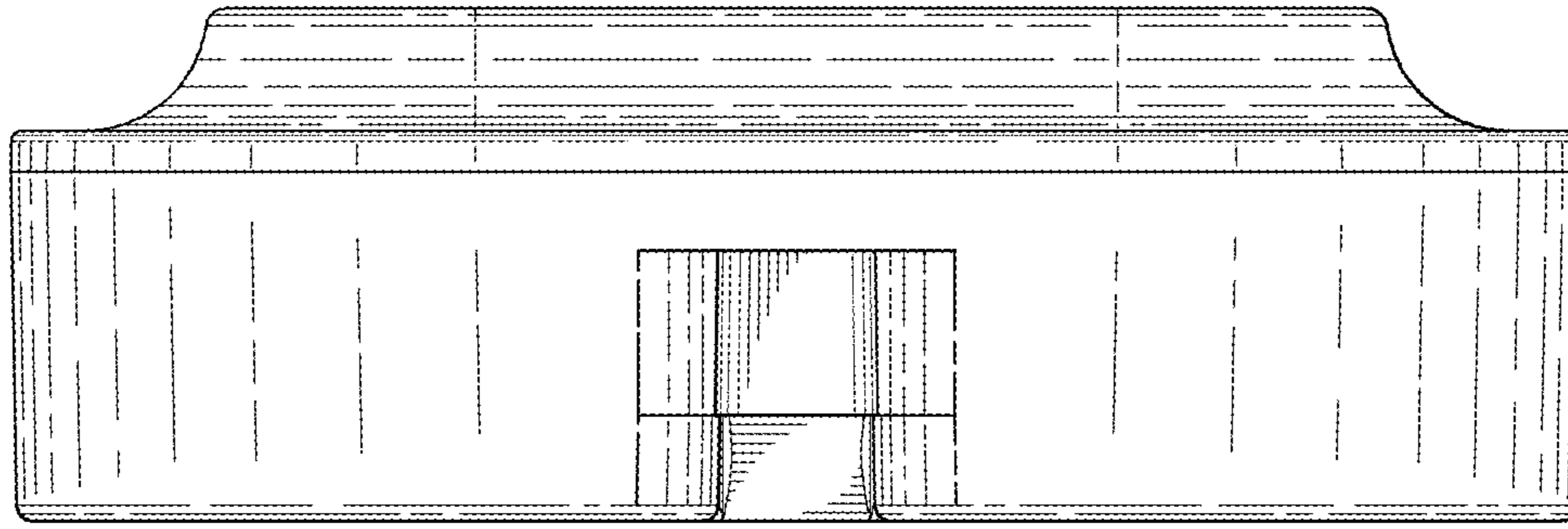


Fig. 5.

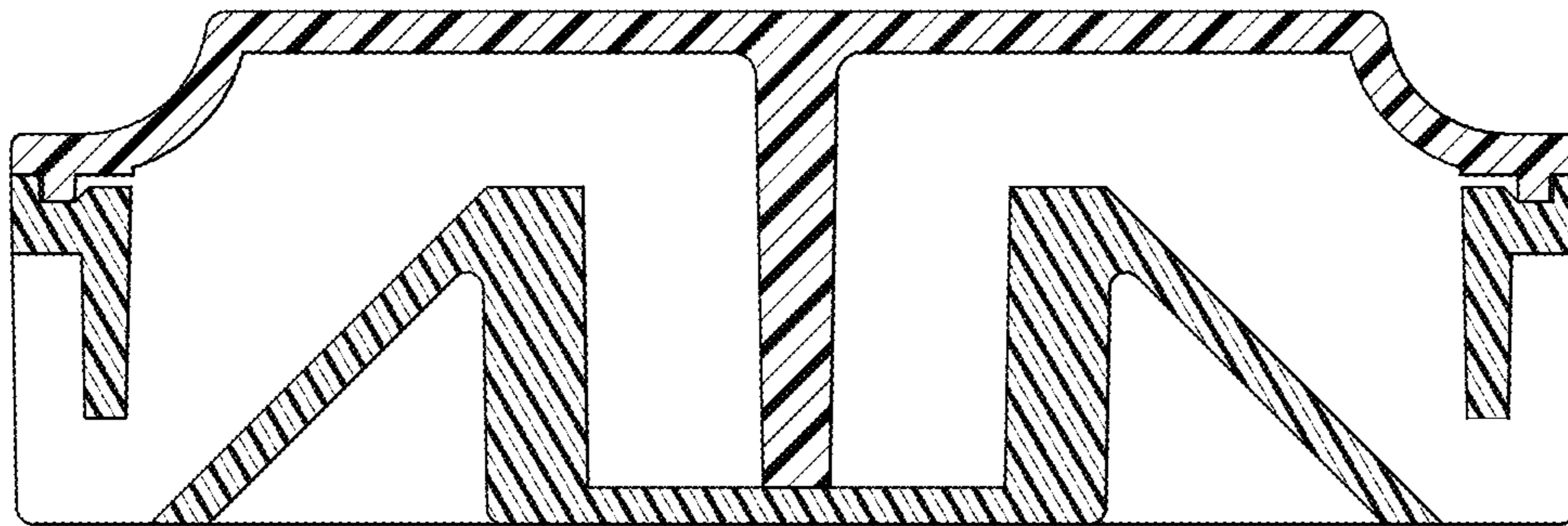


Fig. 6.