



US00D811516S

(12) **United States Design Patent** (10) **Patent No.:** **US D811,516 S**
White et al. (45) **Date of Patent:** **** Feb. 27, 2018**

(54) BUG INTERCEPTION DEVICE	1,581,410 A	4/1926	Welsh
	1,584,589 A	5/1926	Adams
(71) Applicant: BedBug Central, LLC , Lawrenceville, NJ (US)	1,621,318 A	3/1927	Edwards et al.
	1,745,905 A	2/1930	Oakman
	1,800,613 A	4/1931	Farrell
	1,990,049 A	2/1935	Perry
(72) Inventors: Jeffrey C. White , New Egypt, NJ (US); Philip Cooper , Yardley, PA (US)	3,488,879 A *	1/1970	Laughlin A01M 25/004 43/131
	4,263,740 A	4/1981	Hemsarh et al.
(73) Assignee: BedBug Central, LLC , Lawrenceville, NJ (US)	4,698,934 A	10/1987	Gonzalez et al.
	5,033,229 A *	7/1991	Demarest A01M 1/2011 43/124

(**) Term: **15 Years**

(Continued)

(21) Appl. No.: **29/588,589**

FOREIGN PATENT DOCUMENTS

(22) Filed: **Dec. 21, 2016**

GB	2473358	3/2011
WO	2009137047	11/2009

Related U.S. Application Data

Primary Examiner — Catherine R Oliver-Garcia

(63) Continuation of application No. 13/673,299, filed on Nov. 9, 2012, now abandoned.

(74) *Attorney, Agent, or Firm* — Fox Rothschild LLP

(51) **LOC (11) Cl.** **22-06**

(57) **CLAIM**

(52) **U.S. Cl.**
USPC **D22/122**

The ornamental design for a bug interception device, as shown and described.

(58) **Field of Classification Search**

DESCRIPTION

USPC D22/119–124; 43/107, 109, 112–114,
43/121–124, 131, 132.1
CPC .. A01M 1/2011; A01M 25/00; A01M 25/004;
A01M 2200/011; B65F 1/141; B65F
2210/156

FIG. 1 is a top front perspective view of a bug interception device showing our new design;
FIG. 2 is a front elevation view thereof;
FIG. 3 is a rear elevation view thereof;
FIG. 4 is a right-side elevation view thereof;
FIG. 5 is a left-side elevation view thereof;
FIG. 6 is a top plan view thereof; and,
FIG. 7 is a cross-section view thereof, taken along the line 7-7 of FIG. 6.

See application file for complete search history.

The broken lines in the drawings illustrate portions of the bug interceptor device that form no part of the claimed design.

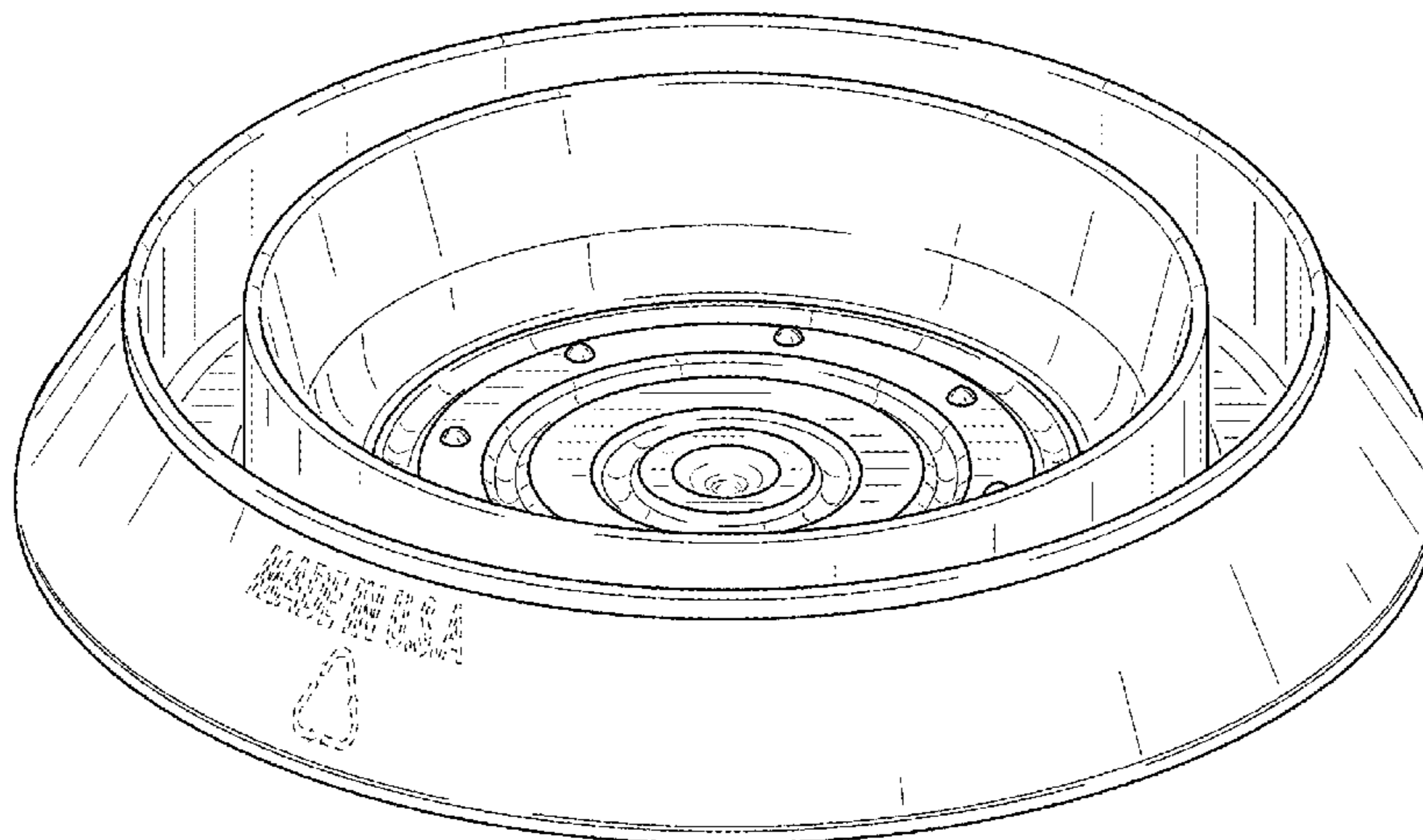
Views of the bug interceptor device that are not shown in the drawings form no part of the claimed design.

(56) **References Cited**

U.S. PATENT DOCUMENTS

57,338 A	8/1866	Lake
134,444 A	12/1872	Stell
223,321 A	1/1880	Denton
459,089 A	9/1891	Muller
479,976 A	8/1892	Elwood
989,015 A	3/1911	Lambert
1,248,283 A	11/1917	Derck et al.
1,279,865 A	9/1918	Hendershot et al.

1 Claim, 4 Drawing Sheets



(56)

References Cited

U.S. PATENT DOCUMENTS

5,113,798	A	5/1992	Rera	
D329,681	S *	9/1992	Demarest	D22/119
5,440,833	A	8/1995	Stoll	
5,979,360	A	11/1999	Tharp	
5,996,531	A	12/1999	Anderson	
D456,481	S *	4/2002	Stevenson	D22/122
7,171,778	B1	2/2007	Thompson, III	
D648,819	S *	11/2011	Bronk	D22/122
D660,935	S *	5/2012	Hardigree	D22/122
D668,314	S	10/2012	MacKay	
D681,153	S *	4/2013	Nordyke	A01M 25/004 D22/122
2009/0145019	A1	6/2009	Nolen	
2009/0145020	A1	6/2009	McKnight	
2009/0282728	A1	11/2009	McKnight et al.	
2011/0225873	A1	9/2011	McKnight et al.	
2012/0204477	A1	8/2012	Fairleigh et al.	
2014/0075825	A1	3/2014	Vasudeva et al.	

* cited by examiner

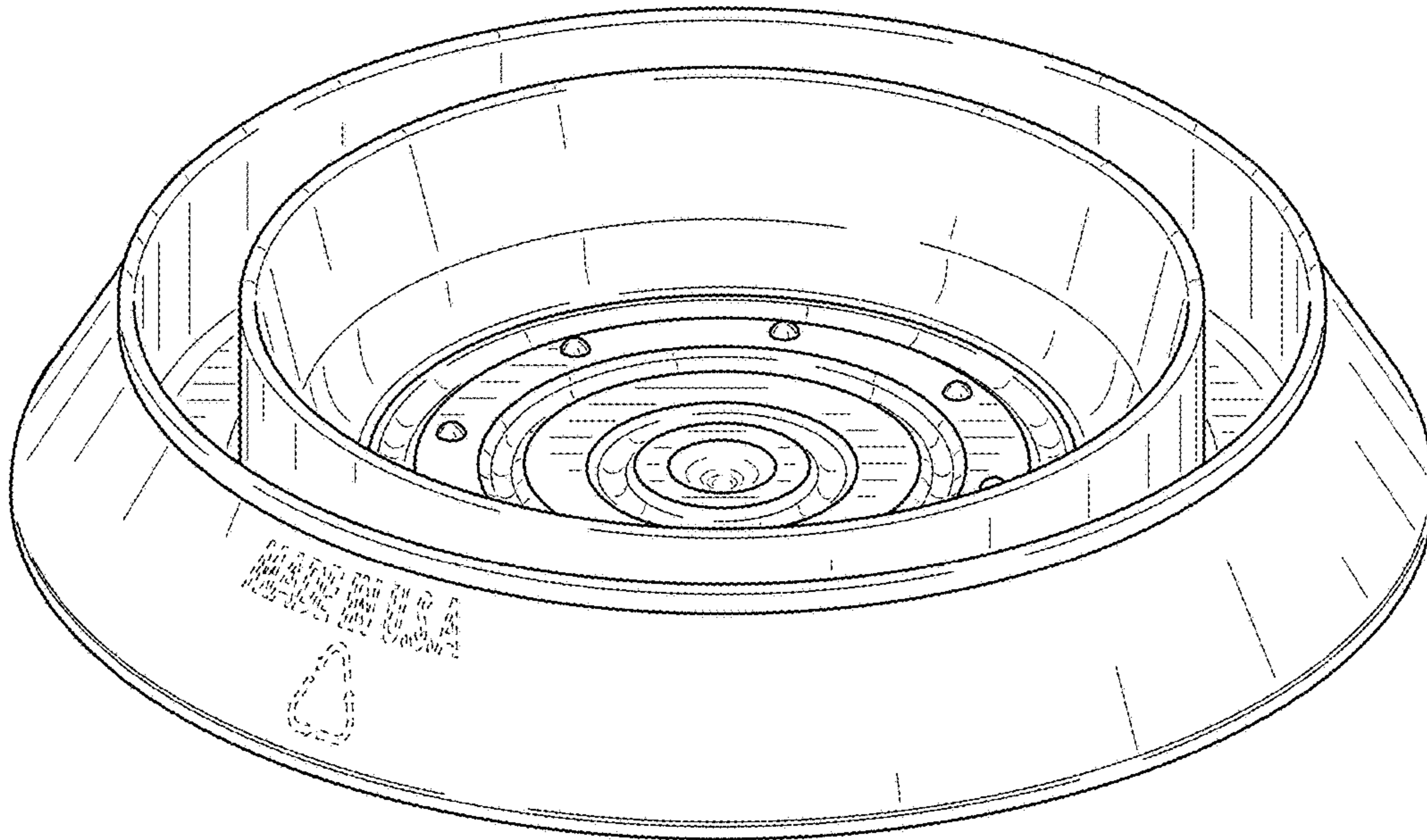


FIG. 1

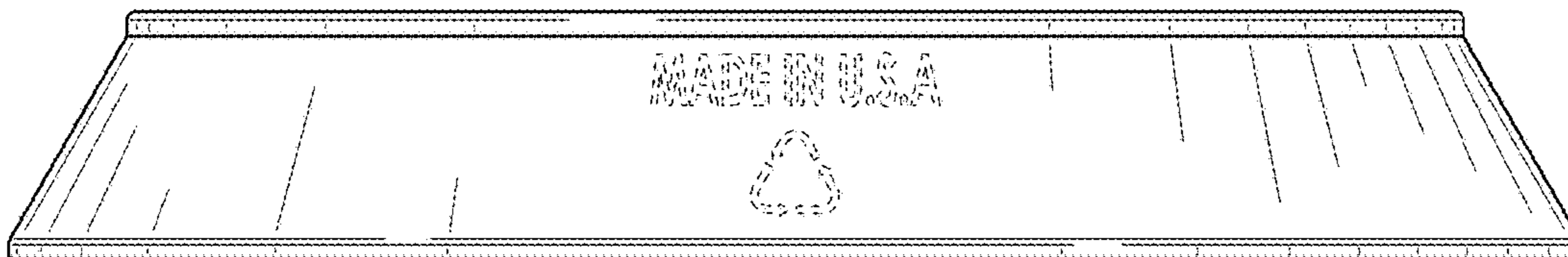


FIG. 2

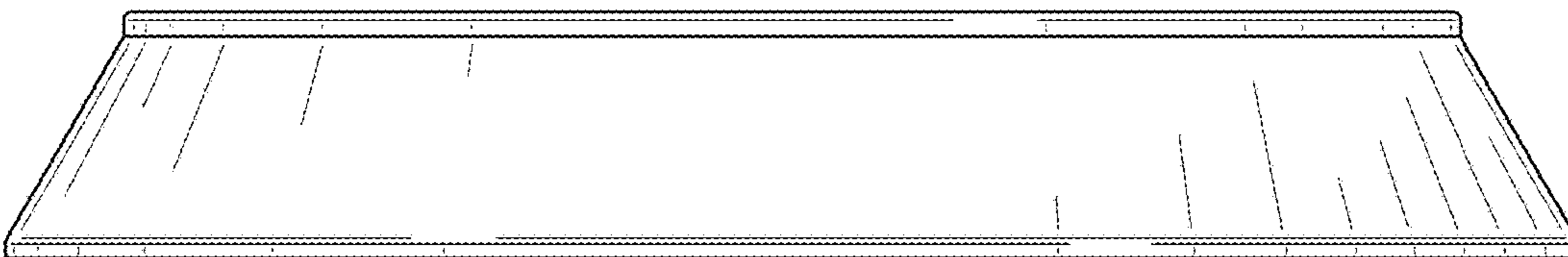


FIG. 3

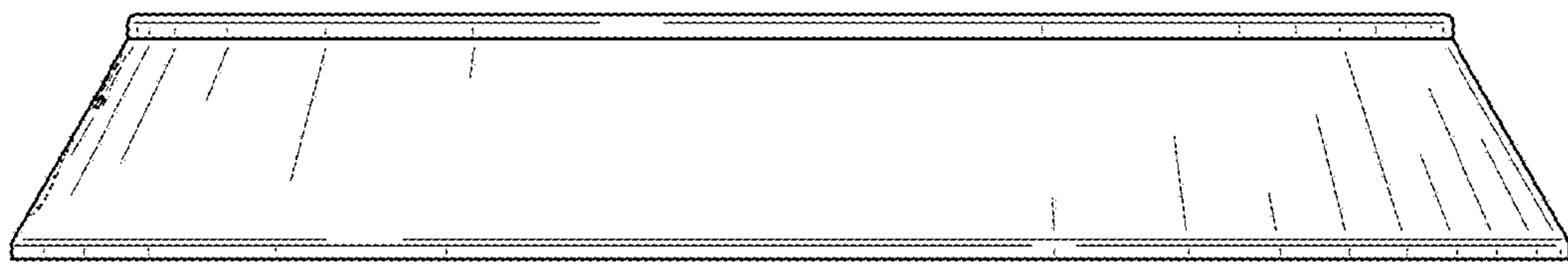


FIG. 4

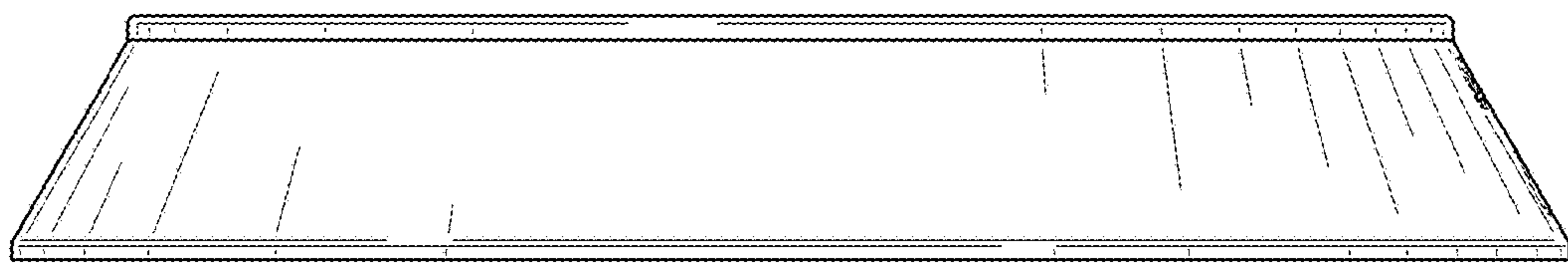


FIG. 5

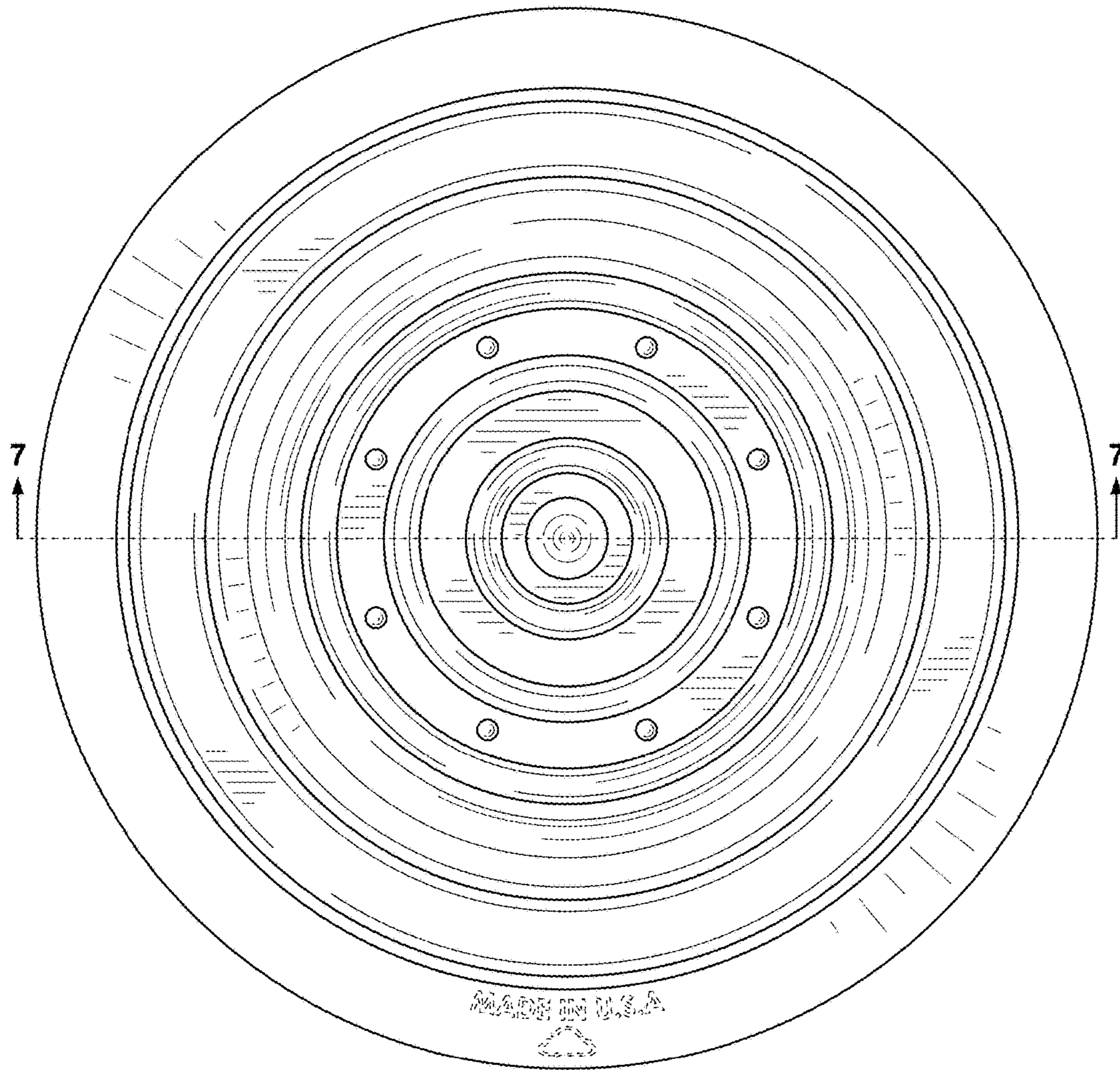


FIG. 6

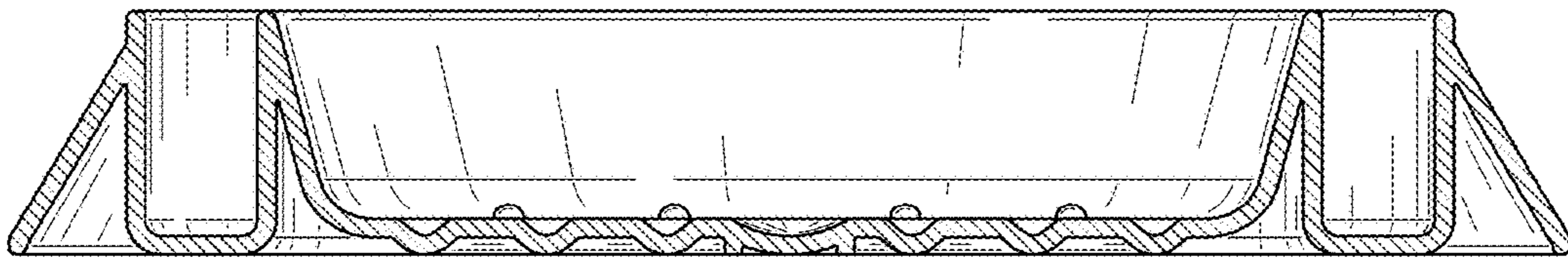


FIG. 7